



US00D854760S

(12) **United States Design Patent**
Mott et al.

(10) **Patent No.:** **US D854,760 S**
(45) **Date of Patent:** **** Jul. 23, 2019**

- (54) **CHARM**
- (71) Applicant: **Mars, Incorporated**, McLean, VA (US)
- (72) Inventors: **Robert Mott**, La Quinta, CA (US);
Kyu Sang Lee, San Jose, CA (US);
Kevin R Lloyd, San Carlos, CA (US)
- (73) Assignee: **MARS, INCORPORATED**, McLean, VA (US)
- (**) Term: **15 Years**
- (21) Appl. No.: **29/622,122**
- (22) Filed: **Oct. 13, 2017**
- (51) **LOC (11) Cl.** **30-04**
- (52) **U.S. Cl.**
USPC **D30/152; D10/70**
- (58) **Field of Classification Search**
USPC D30/152, 199; D11/79, 86; D10/30, 40,
D10/70, 50, 52, 60, 61, 104.1, 104.2;
D14/344, 242, 203.1, 203.3, 203.5;
D24/186
CPC .. A01K 11/006; A01K 11/008; A01K 15/021;
A01K 15/022; A01K 27/001; A01K
27/005; A01K 27/009; A01K 29/00
See application file for complete search history.

- 4,318,234 A 3/1982 Charles et al.
- 4,742,503 A 5/1988 Braun et al.
- 4,809,700 A 3/1989 Castelli et al.
- D300,678 S 4/1989 Barrault
- 4,821,424 A 4/1989 Loggins
- (Continued)

FOREIGN PATENT DOCUMENTS

- DE 202005013615 U1 11/2005
- JP 1602690 S 4/2017

OTHER PUBLICATIONS

Whistle 3 GPS Pet Tracker & Activity Monitor, available for sale Jun. 8, 2017 [online], [retrieved Jul. 1, 2018], Available from Internet, URL: <https://www.amazon.com/dp/B01N7MWKWY/ref=sspa_dk_detail_1?psc=1>.*

(Continued)

Primary Examiner — Barbara Fox
Assistant Examiner — Mary C Ramirez
(74) *Attorney, Agent, or Firm* — Greenberg Traurig, LLP

(57) **CLAIM**

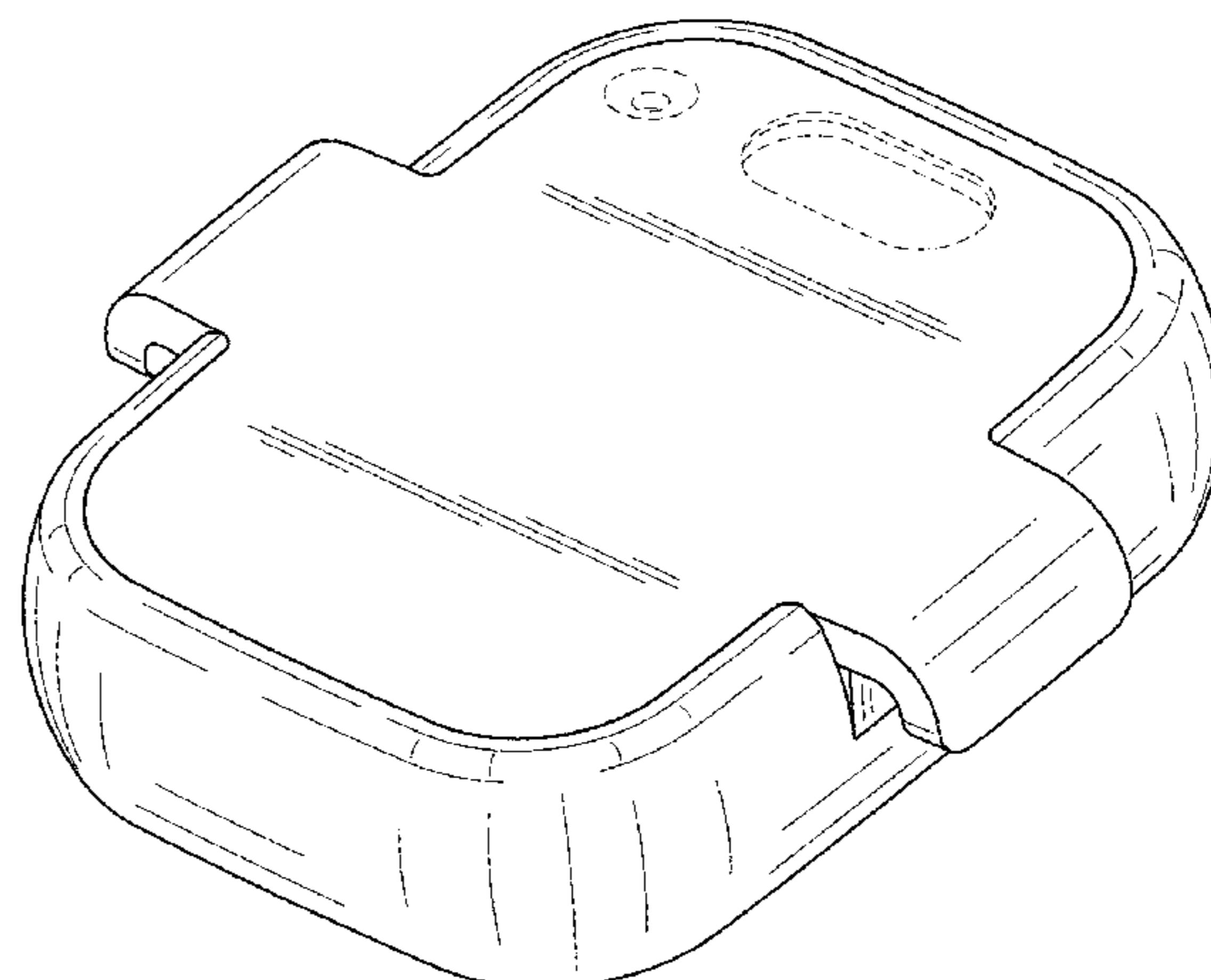
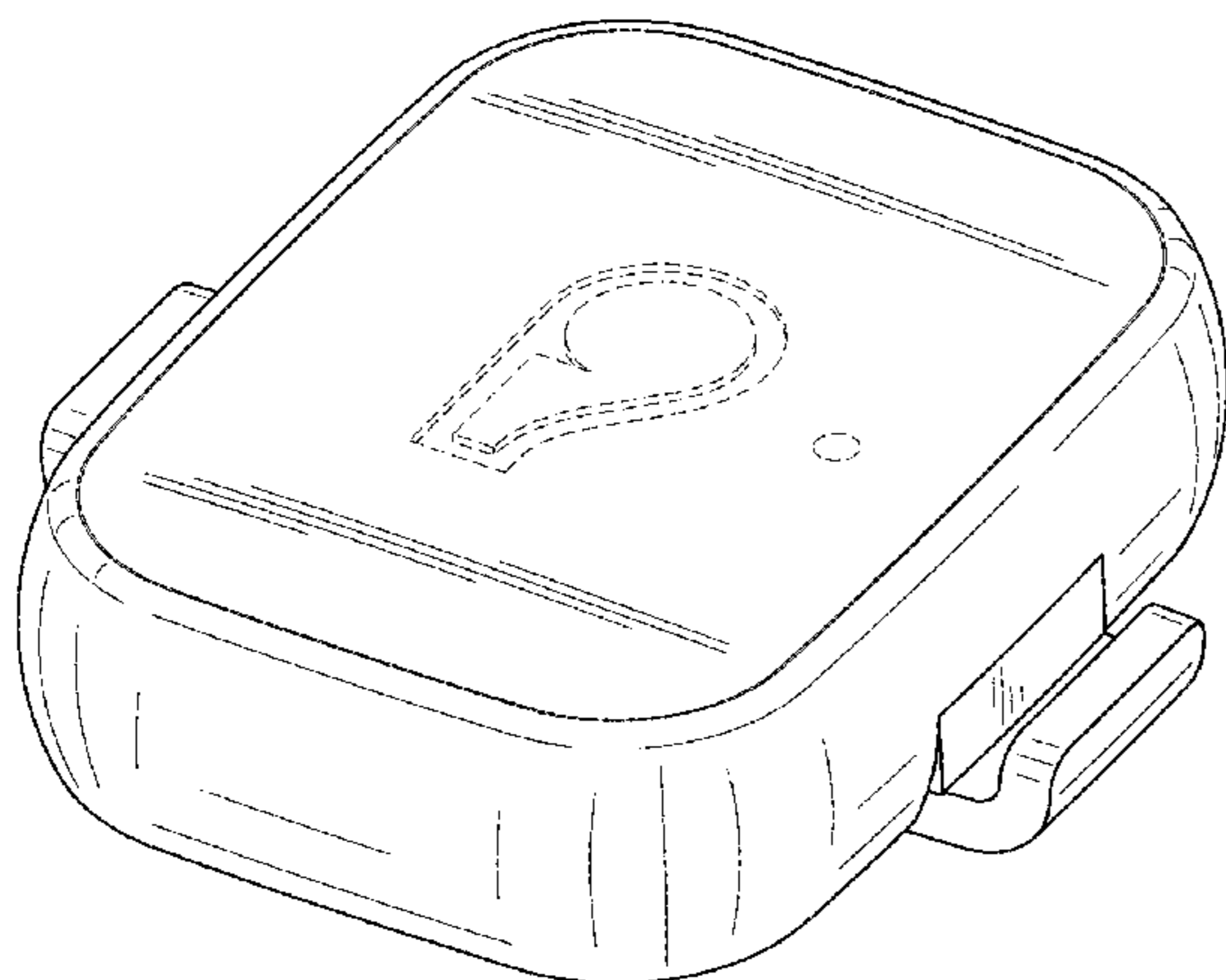
The ornamental design for a charm, as shown and described.

DESCRIPTION

FIG. 1 is a top, front, left perspective view of a charm showing the new design;
FIG. 2 is a bottom, back, left perspective view thereof;
FIG. 3 is a top view thereof;
FIG. 4 is a bottom view thereof;
FIG. 5 is a left side view thereof;
FIG. 6 is a right side view thereof;
FIG. 7 is a front view thereof; and,
FIG. 8 is a back view thereof.
The broken lines shown in the drawings depict portions of the charm that form no part of the claim design.

1 Claim, 5 Drawing Sheets

- (56) **References Cited**
U.S. PATENT DOCUMENTS
- 1,242,159 A 10/1917 Dunkleberger
- 1,271,650 A 7/1918 Arkin
- 1,380,177 A 5/1921 Louis
- 1,402,827 A 1/1922 Louis
- 1,754,200 A 4/1930 Janes
- 1,839,896 A 1/1932 Theodore
- 2,364,266 A 12/1944 Edward
- 3,477,409 A 11/1969 Costanzo
- 3,782,017 A 1/1974 Graham
- D242,675 S 12/1976 McNair
- 4,208,986 A 6/1980 Costanzo



(56)

References Cited

U.S. PATENT DOCUMENTS

4,940,020 A 7/1990 Gordon
D337,411 S 7/1993 Smith
D349,864 S 8/1994 Dunlap et al.
5,473,830 A 12/1995 Doble
5,603,094 A 2/1997 Greear
5,623,731 A 4/1997 Ehgott et al.
D410,206 S * 5/1999 Slater D10/104.1
6,202,599 B1 3/2001 Cutler
6,314,058 B1 11/2001 Lee
D454,991 S 3/2002 Muller
D460,221 S 7/2002 Sloat
D464,941 S * 10/2002 Latto D14/203.3
D478,830 S * 8/2003 So D30/152
6,695,269 B1 2/2004 Anscher
6,720,879 B2 4/2004 Edwards
6,805,460 B1 10/2004 Zoller et al.
D521,927 S 5/2006 Franck et al.
D524,282 S 7/2006 Beasley et al.
7,140,989 B2 11/2006 Poruchny
D535,281 S * 1/2007 Yang D14/203.3
D537,409 S 2/2007 Suzuki
D558,209 S 12/2007 Ikeda et al.
D565,182 S 3/2008 Cheng et al.
7,341,561 B2 3/2008 Tanaka et al.
D575,289 S 8/2008 Kuo et al.
D584,176 S * 1/2009 Maruyama D10/70
D591,012 S 4/2009 Geissler
D592,647 S * 5/2009 L'Henaff D14/240
D594,404 S 6/2009 Kuo et al.
D594,874 S * 6/2009 Sheba D14/203.3
D597,676 S 8/2009 Copeland et al.
D599,241 S 9/2009 Andre et al.
D608,277 S 1/2010 Cano et al.
D609,636 S 2/2010 Jensen
7,705,736 B1 4/2010 Kedziora
D618,802 S 6/2010 Brady et al.
D619,256 S 7/2010 Brady et al.
D625,262 S 10/2010 Lee et al.
D627,718 S 11/2010 Houghton
D656,096 S 3/2012 Sasada et al.
D657,274 S 4/2012 Neethling
D663,684 S 7/2012 Yang
D663,685 S 7/2012 Yang
D667,322 S 9/2012 Madrack
D668,562 S 10/2012 Madrack
D669,027 S 10/2012 Kumpula et al.
D671,921 S 12/2012 Beall et al.
D673,110 S 12/2012 Sasada et al.
D673,908 S 1/2013 Koch
8,353,603 B2 1/2013 Berry et al.
D680,541 S 4/2013 Lee et al.
D693,814 S 11/2013 Park
D694,228 S 11/2013 Richter
D698,376 S 1/2014 Funato et al.
D704,634 S 5/2014 Eidelman et al.

D706,321 S 6/2014 Oetlinger et al.
D709,396 S * 7/2014 Eidelman D10/106.9
D724,971 S 3/2015 Bailey et al.
D725,511 S 3/2015 Read et al.
D725,850 S 3/2015 Eidelman et al.
D742,817 S * 11/2015 Lammers-Meis D13/103
D744,658 S * 12/2015 Hilkey-Boyatt D11/86
D745,421 S 12/2015 Akana et al.
D749,570 S * 2/2016 Lee D14/344
D761,138 S 7/2016 Manabe et al.
D769,869 S 10/2016 Zhou et al.
D772,745 S * 11/2016 Henne D10/70
D774,651 S * 12/2016 Kaib D24/186
D778,746 S * 2/2017 Renganathan D10/70
D780,238 S 2/2017 Kato
D784,325 S 4/2017 Kim et al.
D788,999 S 6/2017 Zinn et al.
D797,100 S * 9/2017 Wieser D14/358
D798,861 S * 10/2017 Wieser D14/358
D800,085 S 10/2017 Shepher
D800,721 S 10/2017 Kim et al.
9,861,080 B1 * 1/2018 Hathway A01K 27/009
D812,499 S 3/2018 Kuh et al.
D815,061 S * 4/2018 Wei D14/210
D815,077 S * 4/2018 Sibley D14/242
9,949,459 B2 4/2018 Pattie et al.
D816,520 S * 5/2018 Elrod D10/52
D817,558 S 5/2018 Lee et al.
D819,633 S * 6/2018 Jun D14/363
9,986,791 B2 6/2018 Botkus et al.
10,021,946 B2 7/2018 Kaneko
D828,189 S 9/2018 Benedetti
2002/0010390 A1 1/2002 Guice et al.
2003/0116101 A1 * 6/2003 Kim A01K 15/021
119/720
2006/0000194 A1 * 1/2006 Duncan A01K 15/021
54/71
2007/0209604 A1 9/2007 Groh et al.
2007/0221140 A1 9/2007 Warren et al.
2009/0013939 A1 1/2009 Santiago et al.
2009/0038670 A1 * 2/2009 Shu A01K 15/023
136/244
2012/0048213 A1 3/2012 Konovalov
2013/0006065 A1 1/2013 Yanai et al.
2014/0290013 A1 * 10/2014 Eidelman A44B 99/00
24/593.1
2017/0208775 A1 7/2017 Van Curen et al.
2018/0098525 A1 * 4/2018 Lee A01K 27/001

OTHER PUBLICATIONS

Whistle FIT, published 2018 [online], [retrieved Jul. 17, 2018], Available from Internet, URL: <<https://www.petinsight.com/whistle-fit/>>.*
“Amazon.com, Inc. Web page, JPO’s Prior Design Ref. No. HJ27044048”, Date first available, Oct. 5, 2015, 7 pp.

* cited by examiner

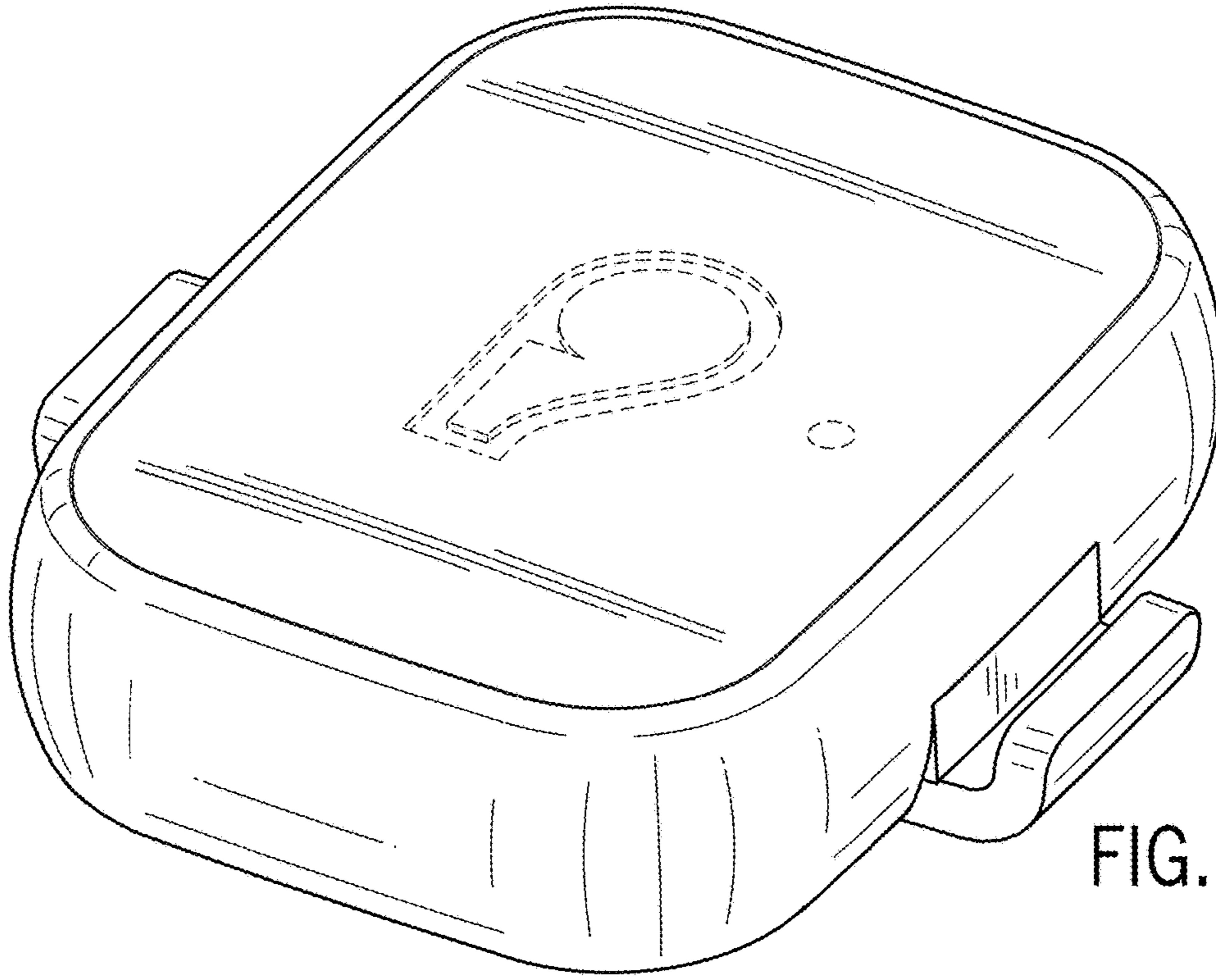


FIG. 1

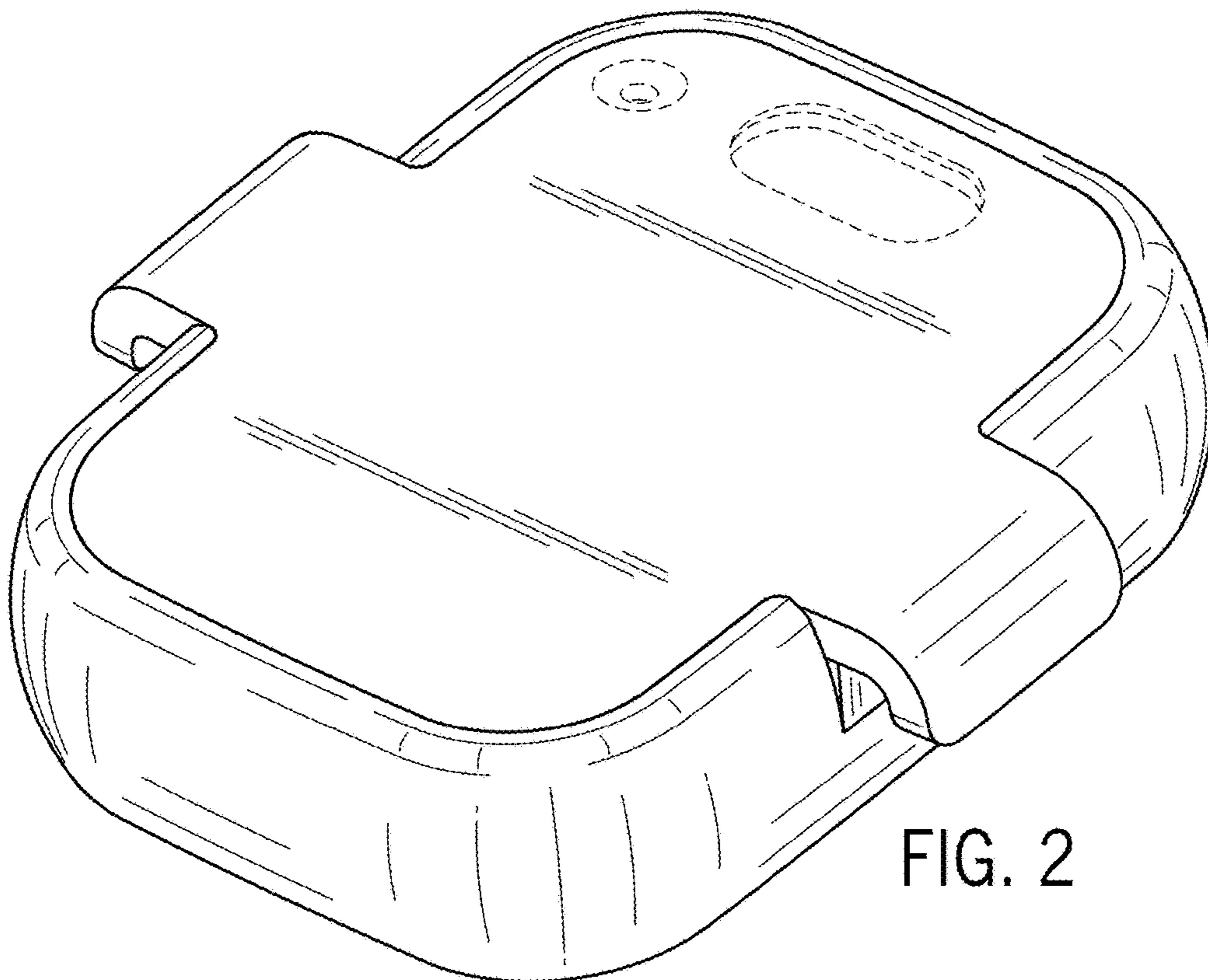


FIG. 2

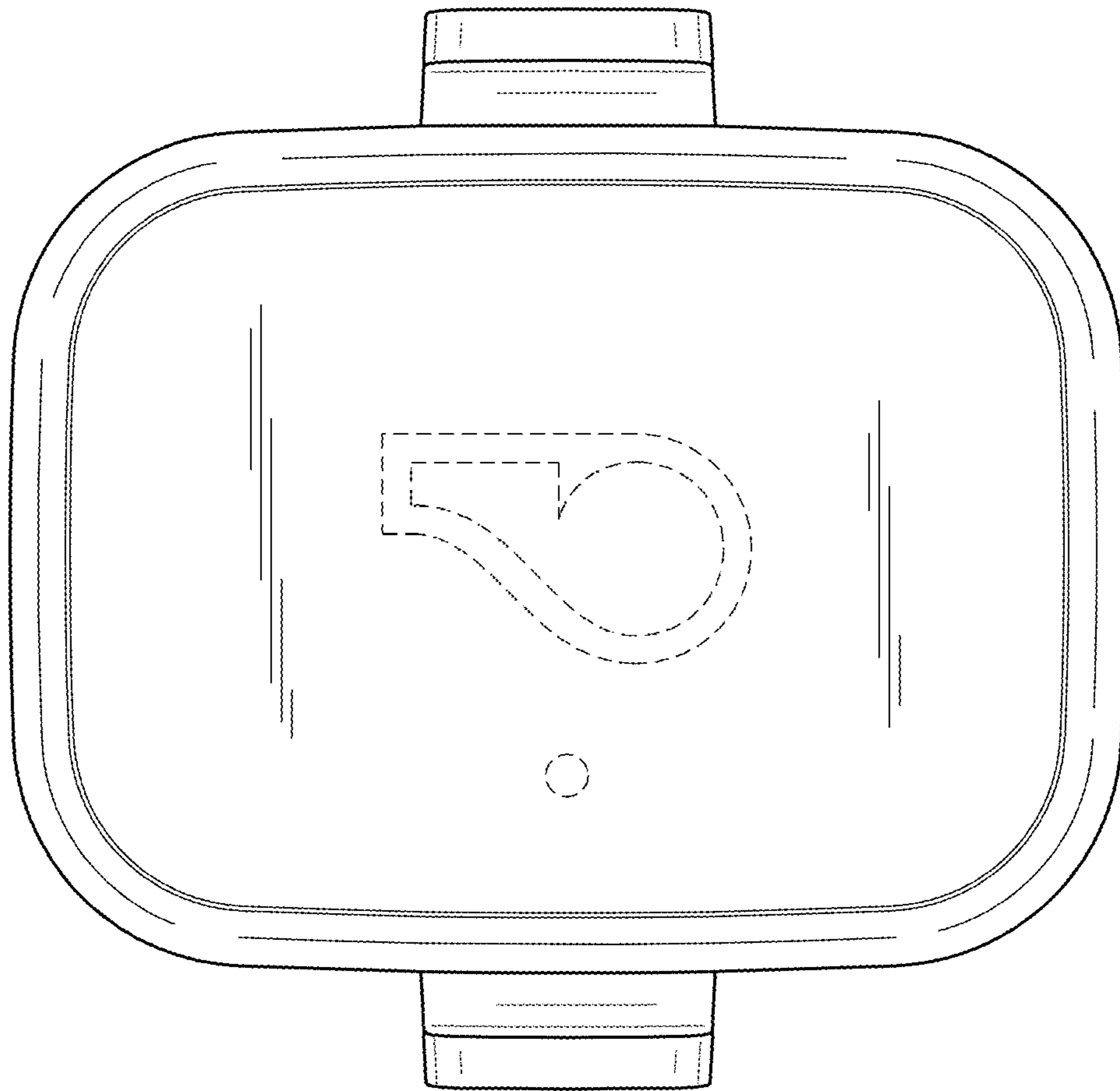


FIG. 3

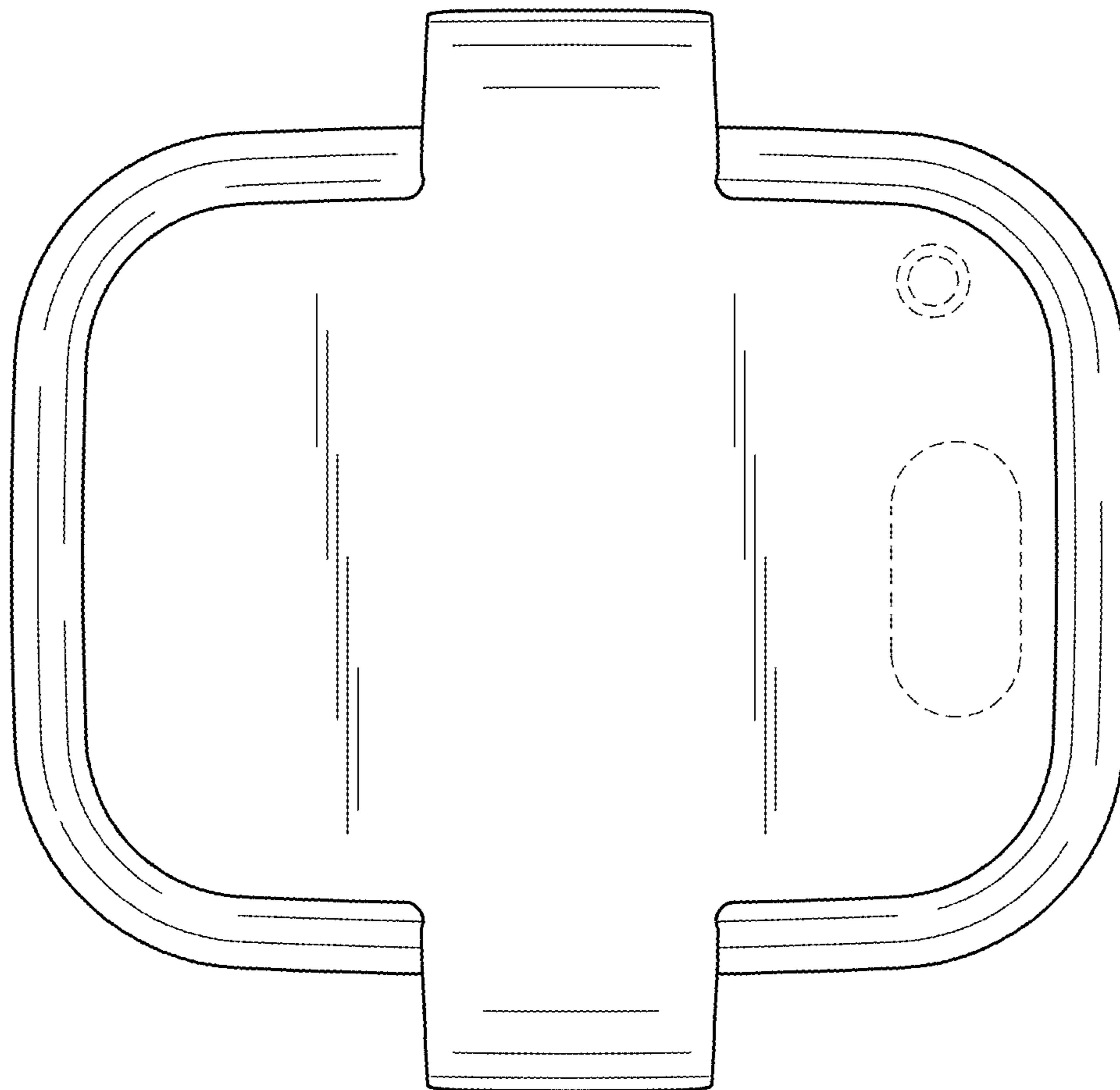


FIG. 4

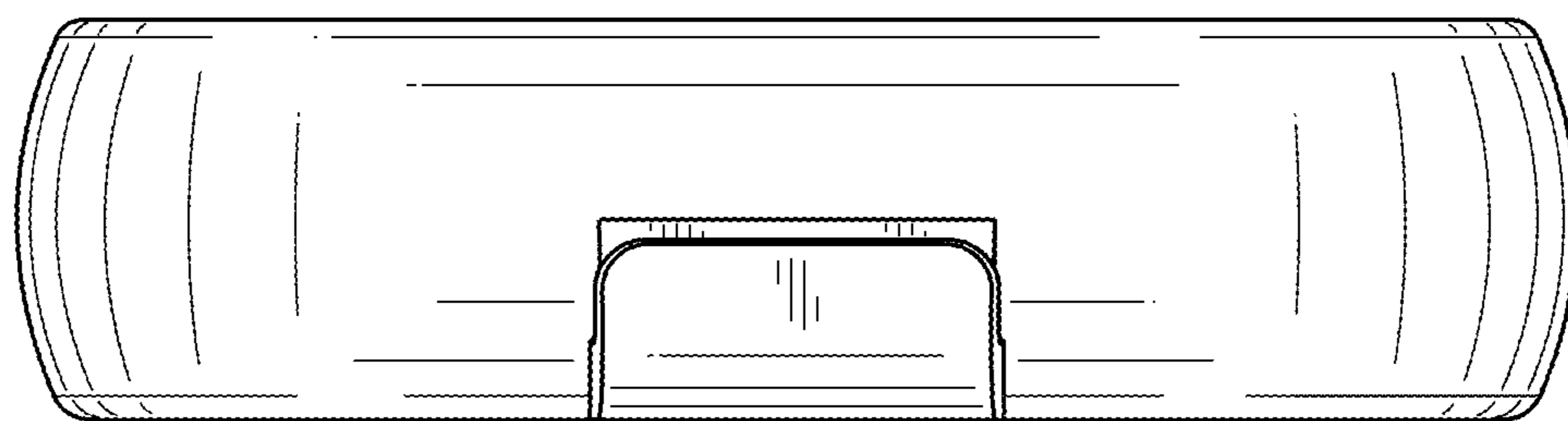


FIG. 5

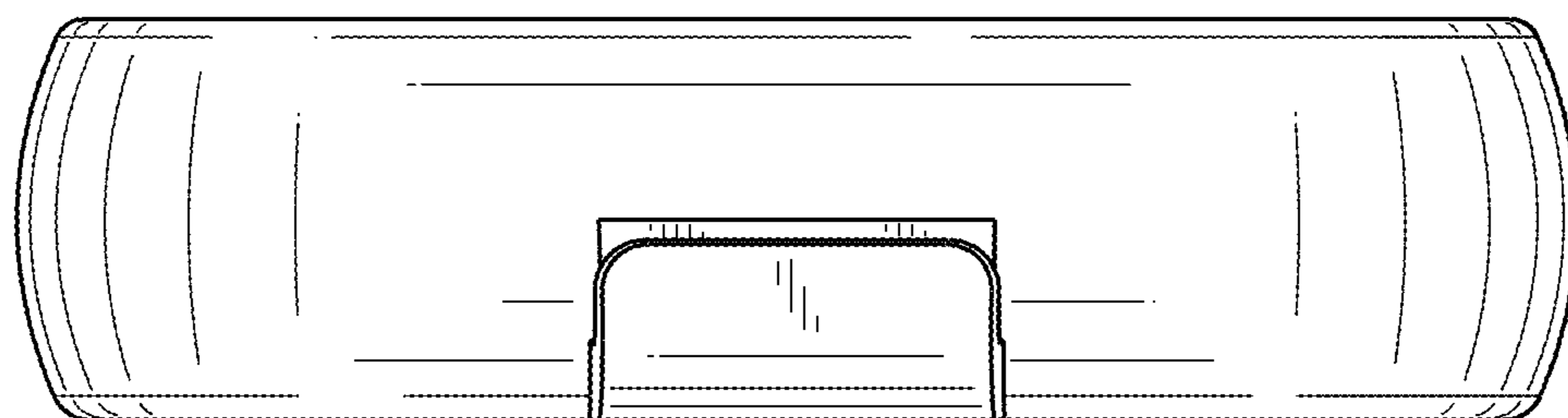


FIG. 6

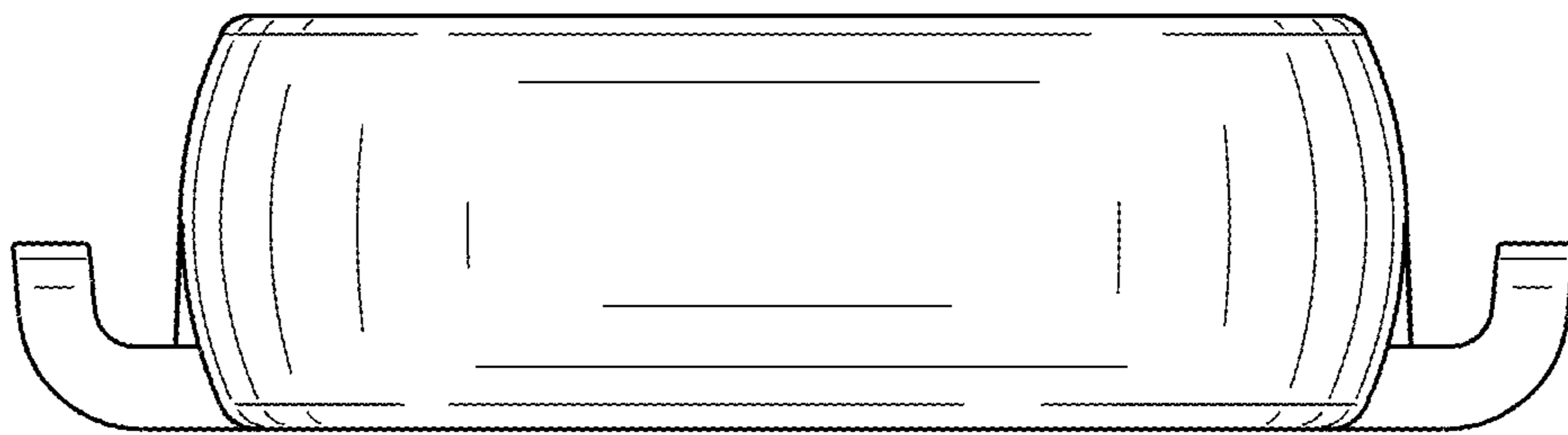


FIG. 7

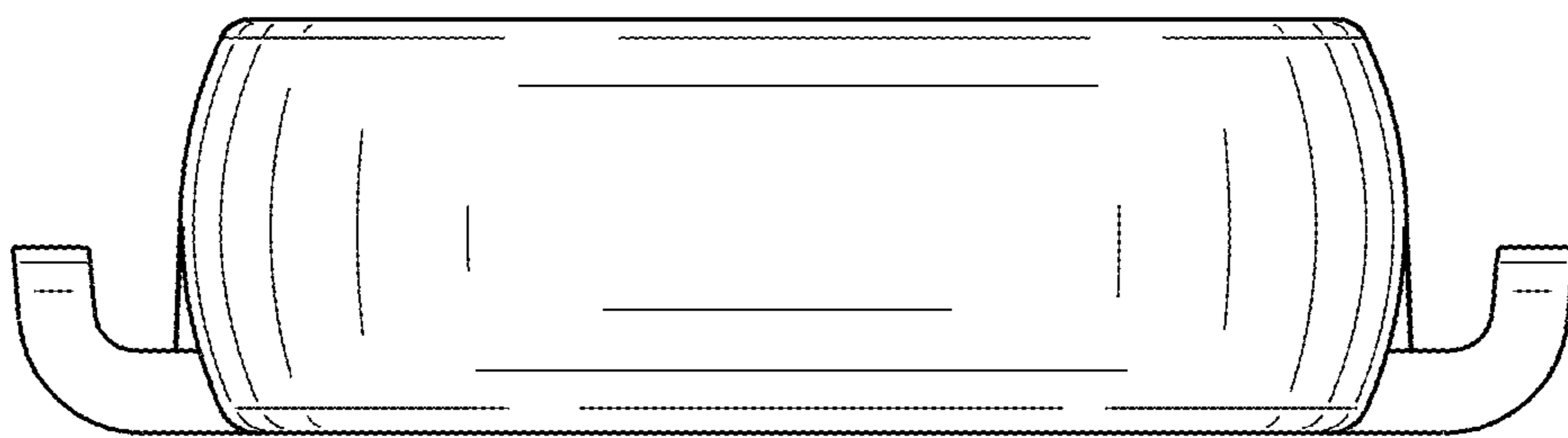


FIG. 8