



US00D854759S

(12) **United States Design Patent**
Elliott et al.

(10) **Patent No.:** **US D854,759 S**

(45) **Date of Patent:** **** Jul. 23, 2019**

(54) **MODULAR FEEDER**

(71) Applicant: **Pet Fusion, LLC**, Fanwood, NJ (US)

(72) Inventors: **Theodore Elliott**, Bentleyville, OH (US); **Andrew Roost**, Fanwood, NJ (US)

(73) Assignee: **Pet Fusion, LLC**, Fanwood, NJ (US)

(**) Term: **15 Years**

(21) Appl. No.: **29/577,968**

(22) Filed: **Sep. 16, 2016**

(51) **LOC (11) Cl.** **30-03**

(52) **U.S. Cl.**
USPC **D30/133**; D30/121; D30/131; D30/130;
D30/129

(58) **Field of Classification Search**

USPC D30/133, 121, 128, 130, 132; 119/52.1,
119/55, 61.5, 61.6, 61.57, 61.56;
D6/480-489, 708, 691.6, 656.13, 691.8,
D6/495-499, 349, 429, 477, 353, 690;
248/188, 157, 188.5, 188.8, 188.9, 404,
248/226.11, 231.31; 312/204;
108/153.1-157, 144.11, 145, 146, 147.12,
108/147.21, 148, 149, 150, 151, 152,
108/157.1, 161, 147.19, 64, 136;
297/423.46, 423.44, 423.45; 5/659,
5/503.1, 505.1

CPC A01K 5/00; A01K 5/01; A01K 5/0107;
A01K 5/0114; A01K 5/0121; A01K
5/0128; A01K 5/0135; A01K 7/005

See application file for complete search history.

(56) **References Cited**

U.S. PATENT DOCUMENTS

D188,415 S * 7/1960 Scheurer 224/926
D221,217 S * 7/1971 Beychok 206/558

D233,293 S * 10/1974 Rosen D6/691.3
3,874,085 A * 4/1975 Atkins G01F 19/007
33/524
3,939,986 A * 2/1976 Pierro A47C 7/62
211/74
D260,043 S * 7/1981 Robinson D30/129
D260,836 S * 9/1981 de Polo D6/691.3
D276,767 S * 12/1984 Livi D6/349
D279,845 S * 7/1985 Holliman 273/148 B
D293,634 S * 1/1988 Rattner D6/406.4
D296,284 S * 6/1988 Colby D6/690
D300,996 S * 5/1989 Colby D6/690
D306,243 S * 2/1990 Livi D6/690
D313,708 S * 1/1991 Frank D6/690
D338,576 S * 8/1993 Livi D6/690
D341,043 S * 11/1993 Pessa D6/690

(Continued)

Primary Examiner — Susan Moon Lee

(74) *Attorney, Agent, or Firm* — Myers Wolin, LLC

(57) **CLAIM**

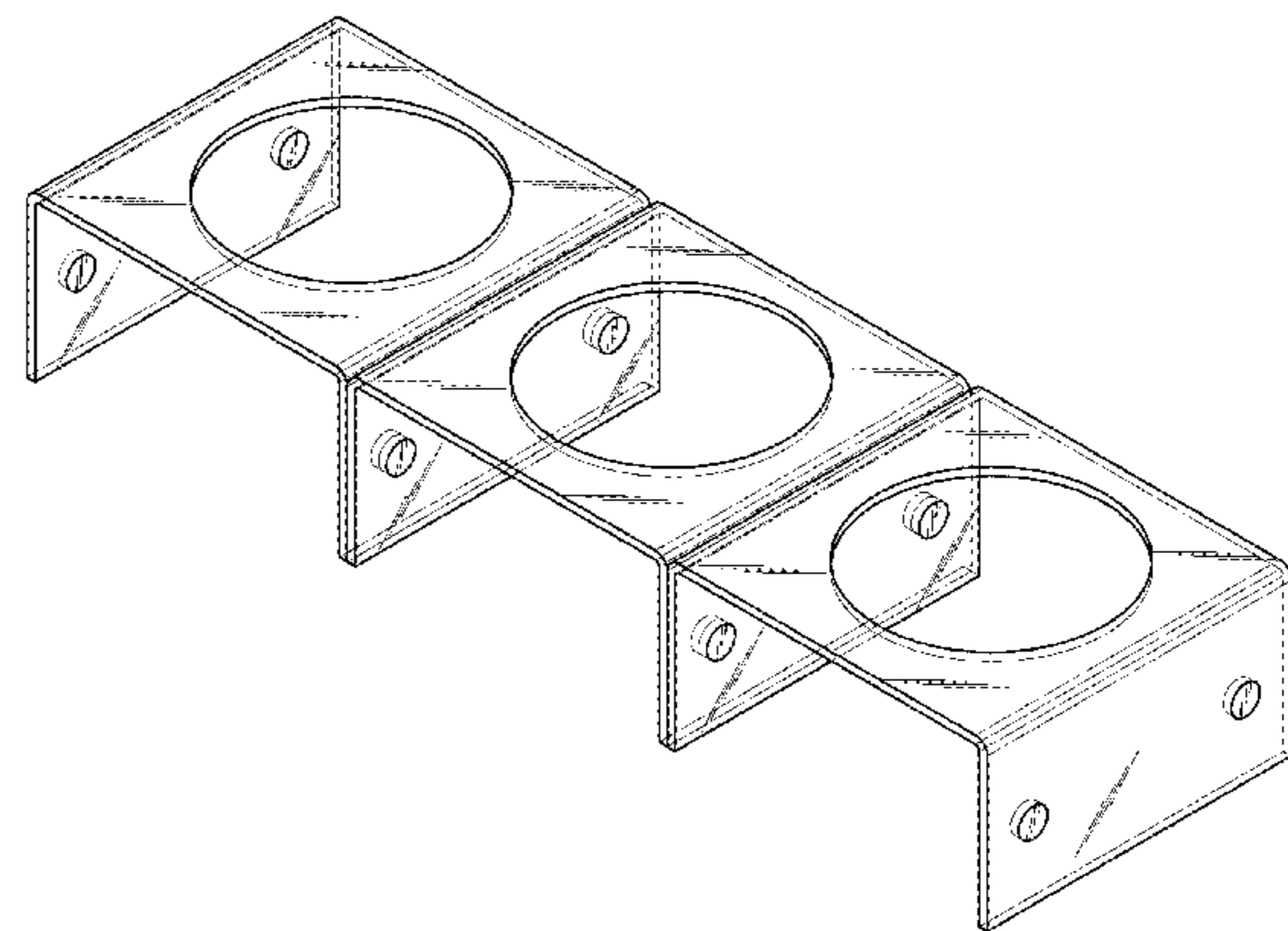
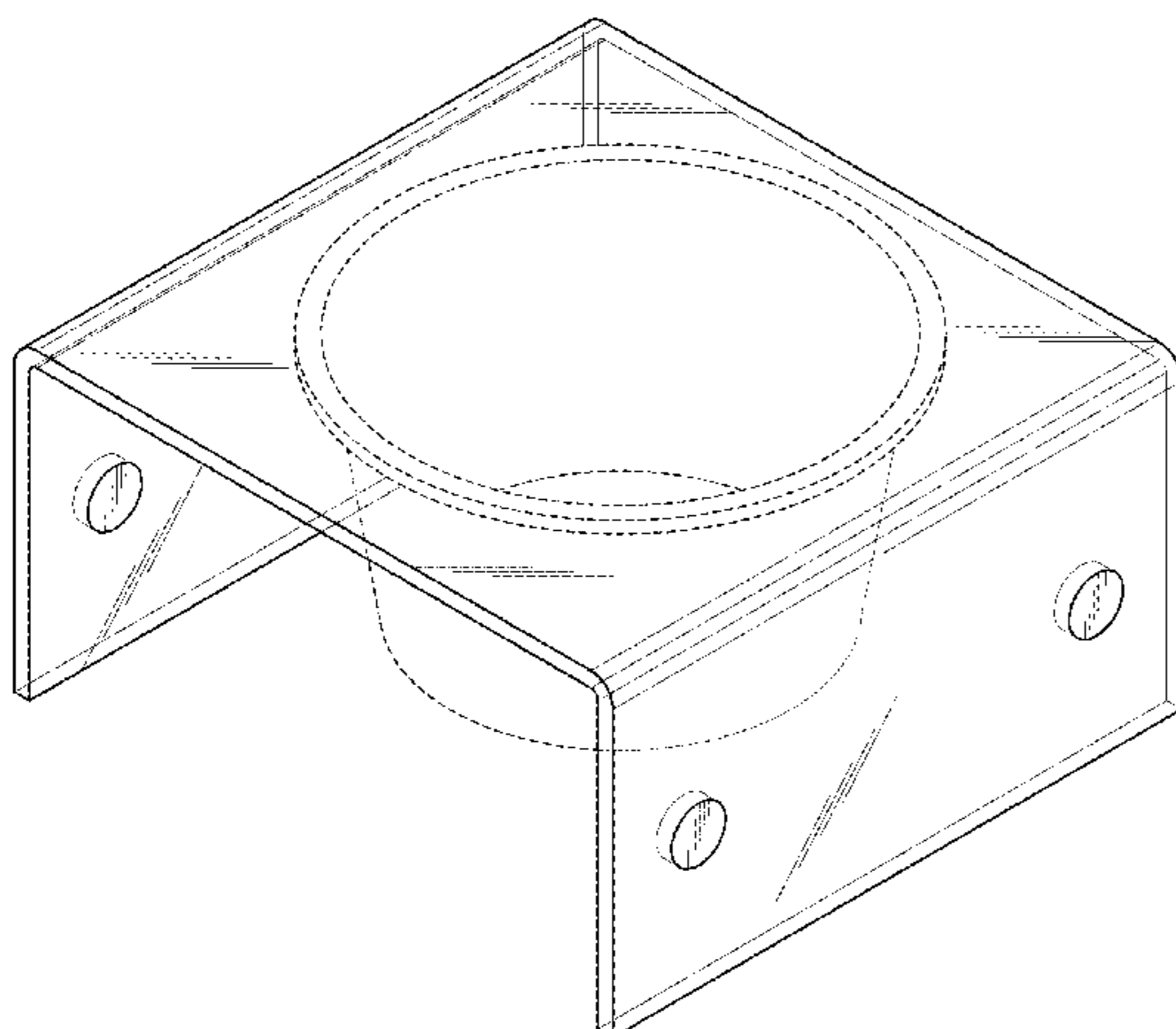
The ornamental design for a modular feeder, as shown and described.

DESCRIPTION

FIG. 1 is an exemplary perspective view of a modular feeder in accordance with our new design;
FIG. 2 is another perspective view of the modular feeder;
FIG. 3 is a top view thereof;
FIG. 4 is a front view thereof, the back view being identical;
FIG. 5 is a bottom view thereof;
FIG. 6 is a right side elevation view thereof, the left side elevation being identical; and,
FIGS. 7 and 8 are exemplary perspective views in which multiples of the modular feeder are shown arranged side by side.

The illustrative broken line showing of a bowl in FIG. 1 depicts an exemplary component which might be used with the modular feeder and forms no part of the claimed design.

1 Claim, 5 Drawing Sheets



(56)

References Cited

U.S. PATENT DOCUMENTS

D347,342 S *	5/1994	Ghini	D6/690	D647,667 S *	10/2011	Siklosi	D30/130
D357,362 S *	4/1995	Pedersen	D6/355	D666,782 S *	9/2012	Wygle	D30/118
D358,158 S *	5/1995	Bush	D16/222	D676,612 S *	2/2013	Wygle	D30/118
D359,862 S *	7/1995	Rousch	D12/419	D682,485 S *	5/2013	Wygle	D30/129
D374,517 S *	10/1996	Morrill	D30/133	D685,141 S *	6/2013	Dixon	D30/129
D411,689 S *	6/1999	Papaioannou	D6/349	D686,784 S *	7/2013	Elliott	D30/133
D427,814 S *	7/2000	Black	D6/690	D687,640 S *	8/2013	Pedersen	D6/349
D455,025 S *	4/2002	Weitzman	D6/406.5	D710,550 S *	8/2014	Elliott	D30/133
D478,193 S *	8/2003	Routh	D30/131	D722,065 S *	2/2015	Zwerner	D14/447
D503,176 S *	3/2005	Wirachowsky	D14/449	D723,814 S *	3/2015	Hagstrom	D6/335
D505,523 S *	5/2005	Rahman	D30/133	D771,396 S *	11/2016	Mandon	D6/349
D515,878 S *	2/2006	Czepowicz	D7/619.1	D781,086 S *	3/2017	Velez	D6/656
D528,869 S *	9/2006	VanHook	D21/501	D789,703 S *	6/2017	Qiao	A47C 7/68 D6/406.3
D534,363 S *	1/2007	Ng	D6/335	D796,277 S *	9/2017	Stiffel	D7/701
D535,506 S *	1/2007	Wilson	D6/390	D800,136 S *	10/2017	Chen	D14/451
D561,407 S *	2/2008	Dixon	D30/130	D802,311 S *	11/2017	Stricklin	D6/349
D588,373 S *	3/2009	Rushton	D6/406.6	D813,469 S *	3/2018	Conley	D30/133
D591,074 S *	4/2009	Powers	D6/406.6	2004/0011934 A1 *	1/2004	Czepowicz	A47G 23/0241 248/311.2
D591,090 S *	4/2009	Judkins	D6/691.8	2009/0001231 A1 *	1/2009	Casanova	A01K 5/0114 248/176.1
D608,600 S *	1/2010	Wood	D7/605	2017/0105386 A1 *	4/2017	Wu	A01K 5/0114
D646,440 S *	10/2011	Chance	D30/130				

* cited by examiner

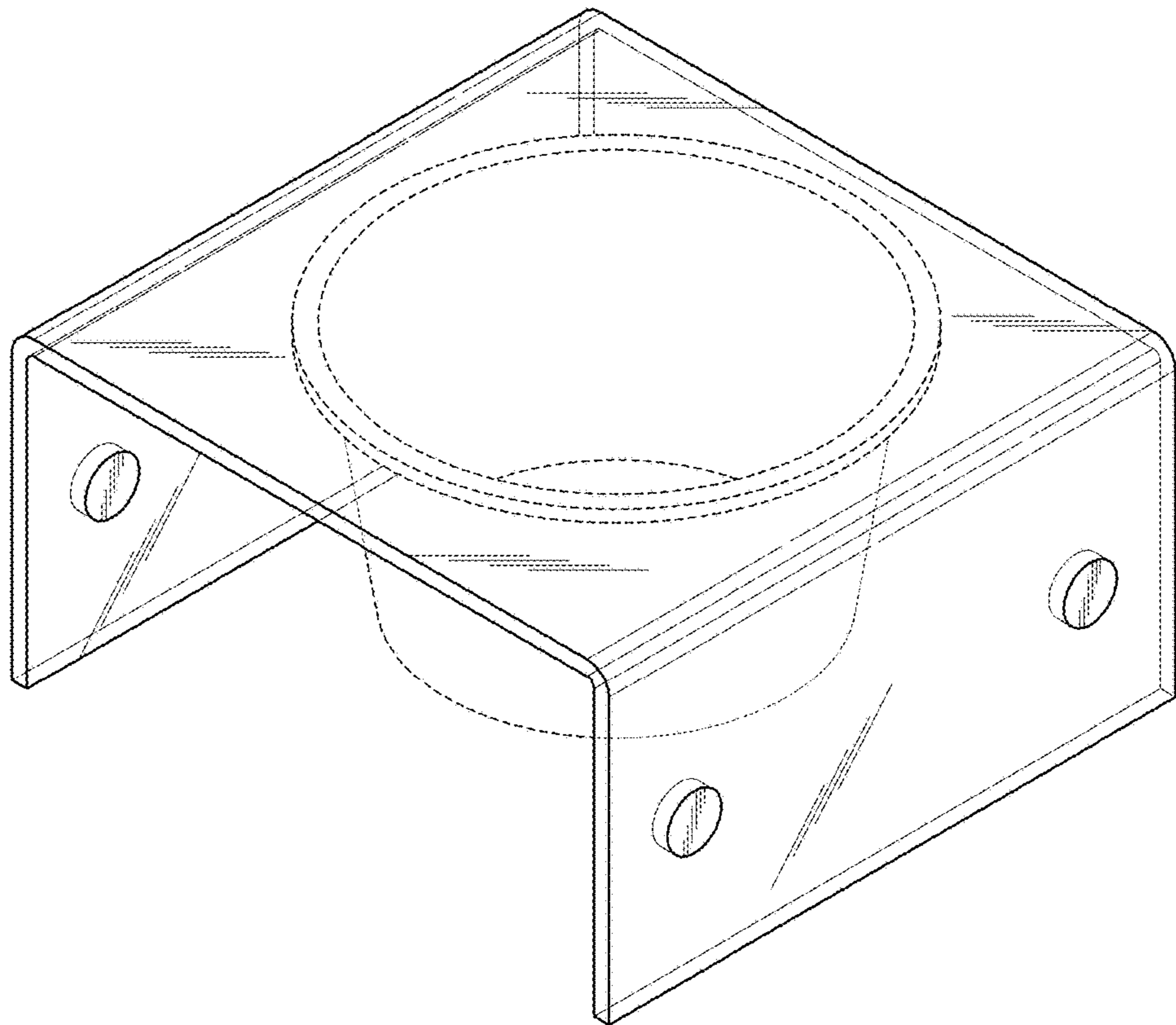


FIG. 1

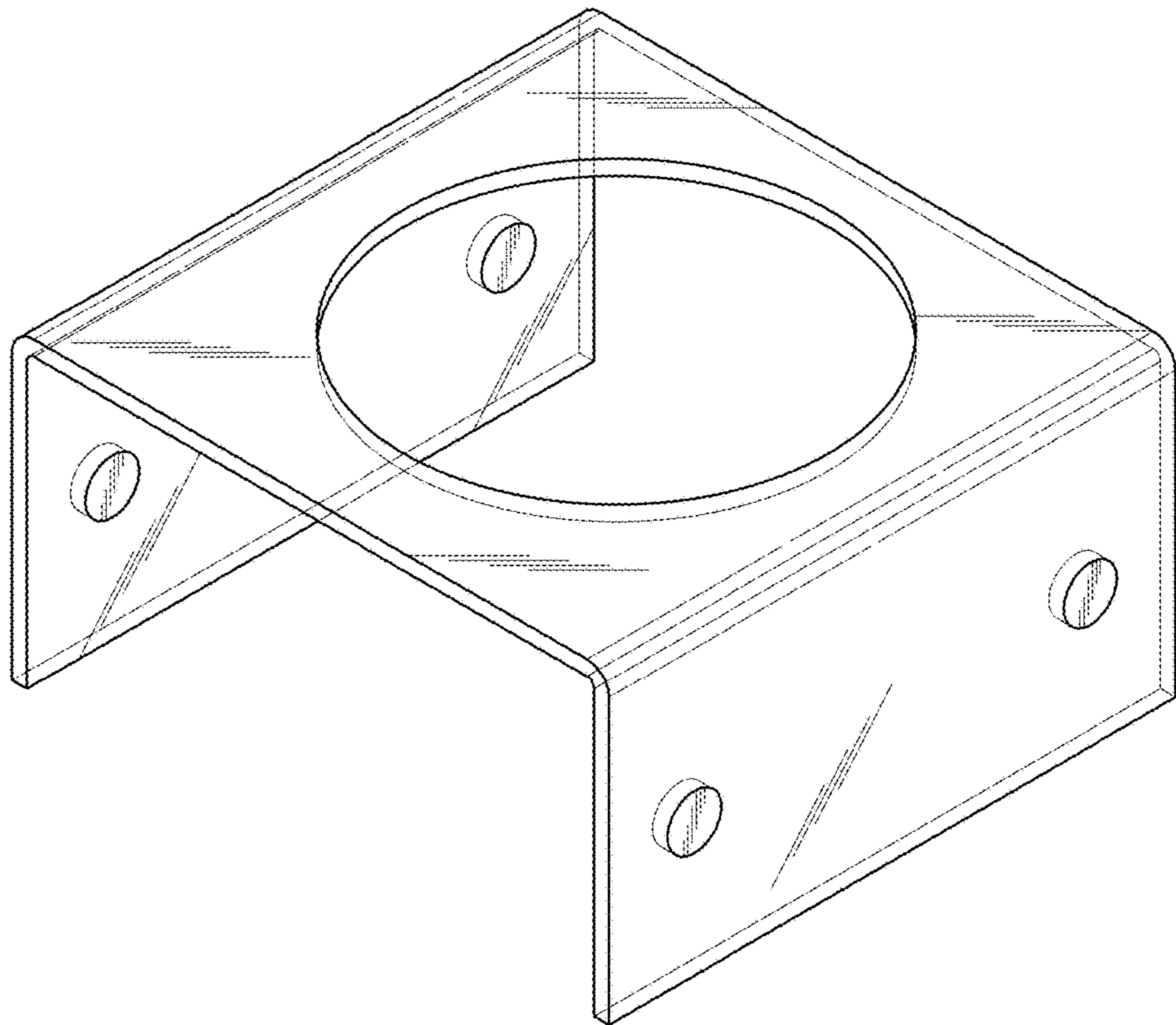


FIG. 2

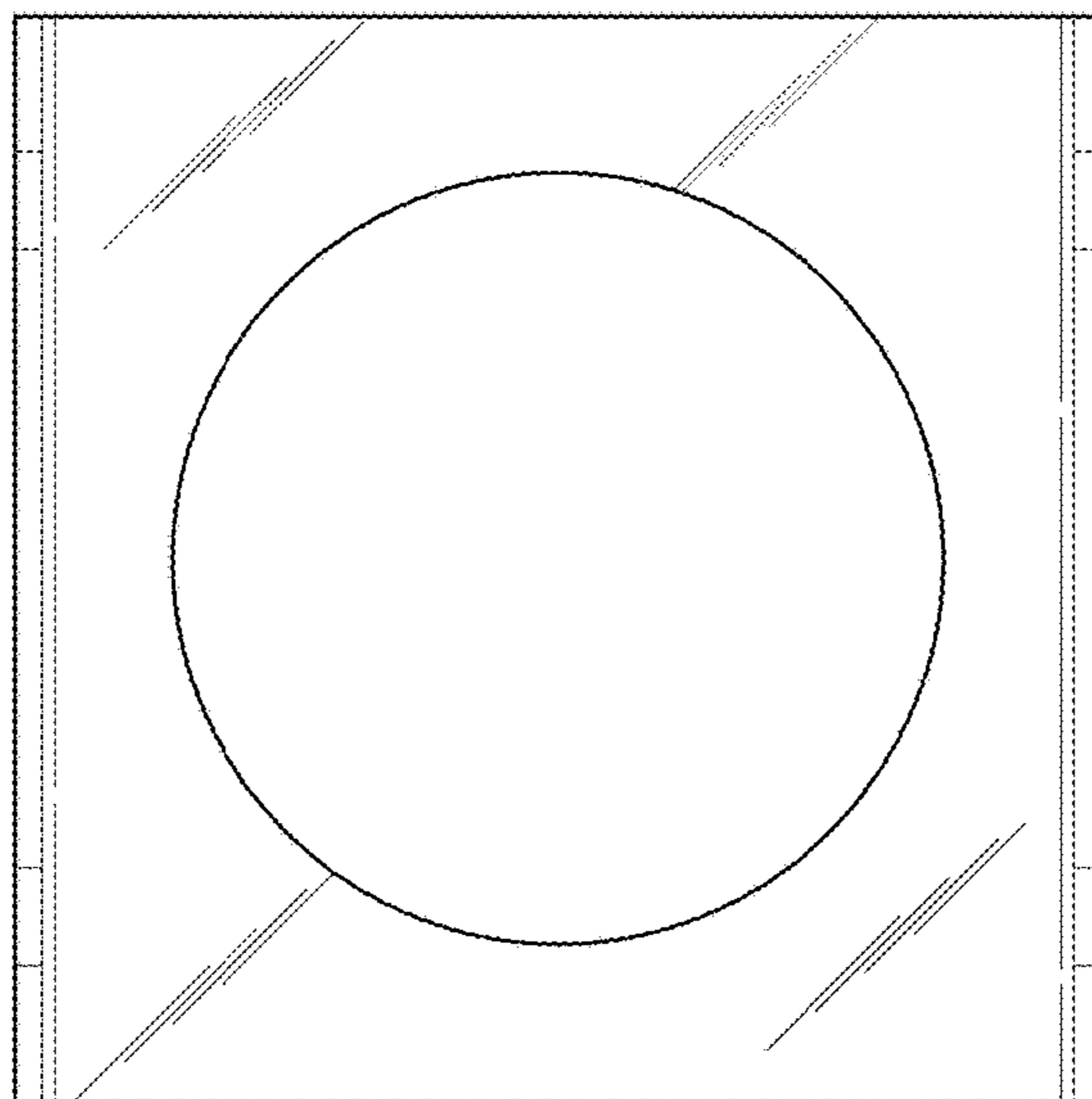


FIG. 3

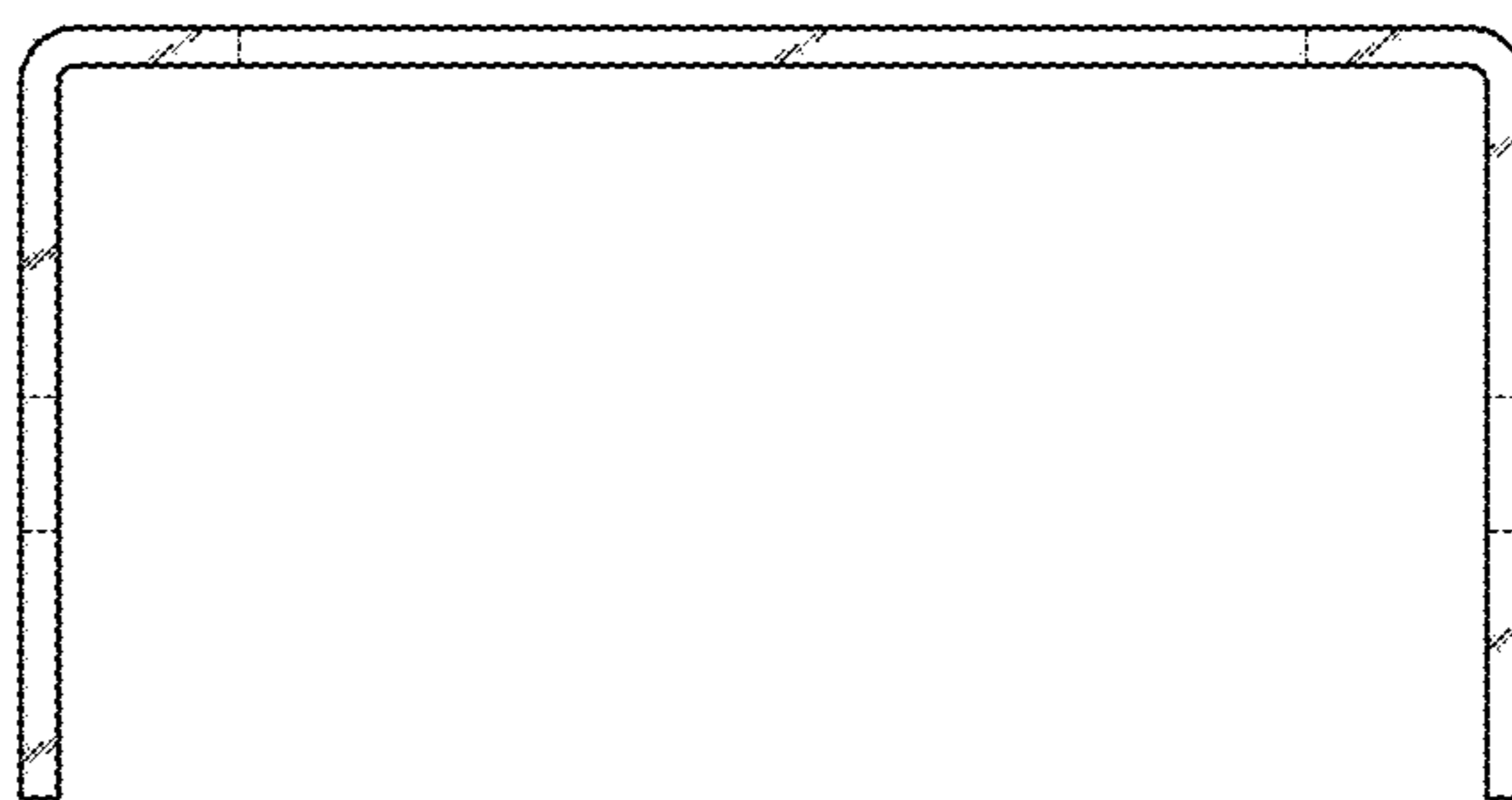


FIG. 4

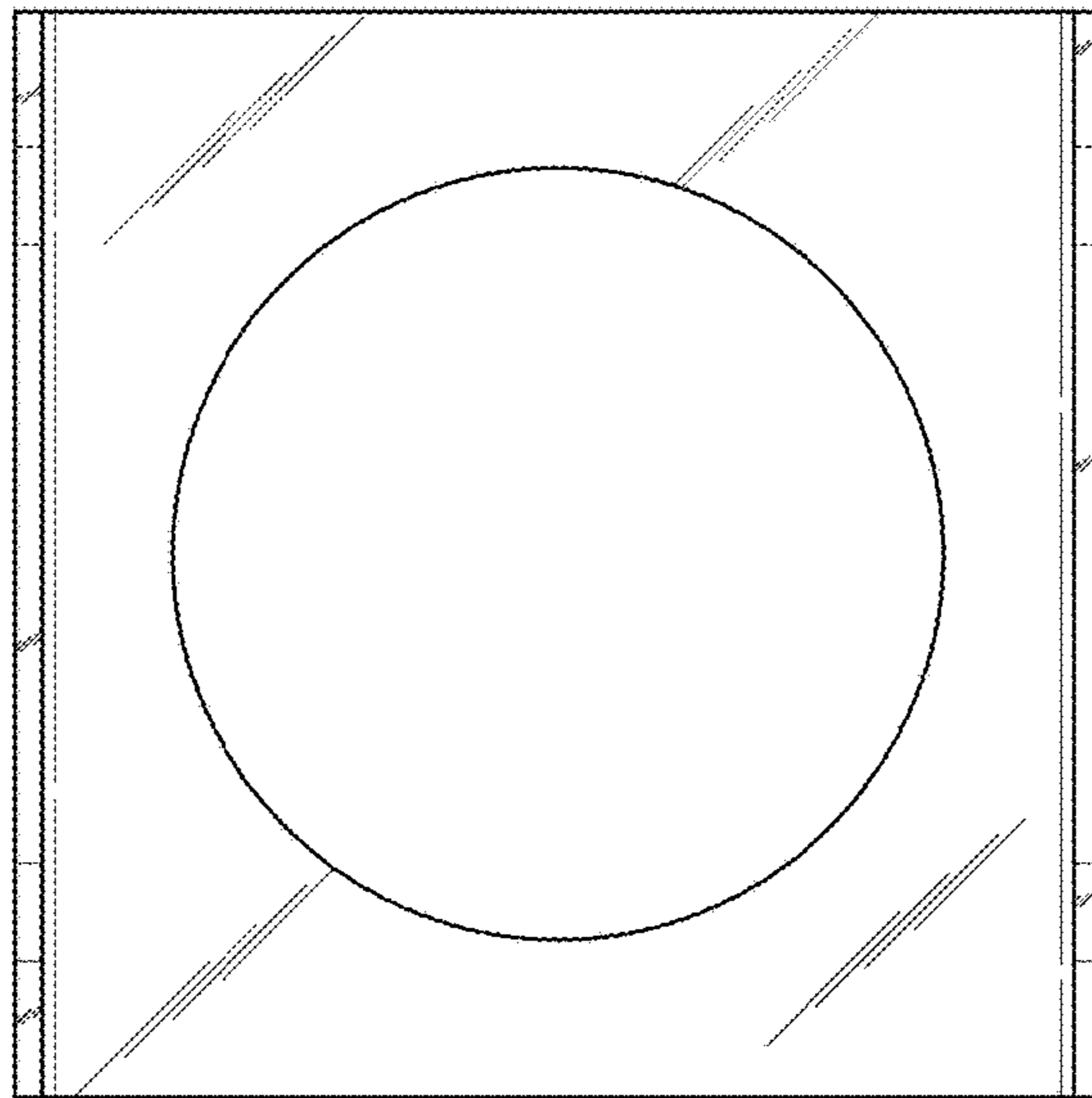


FIG. 5

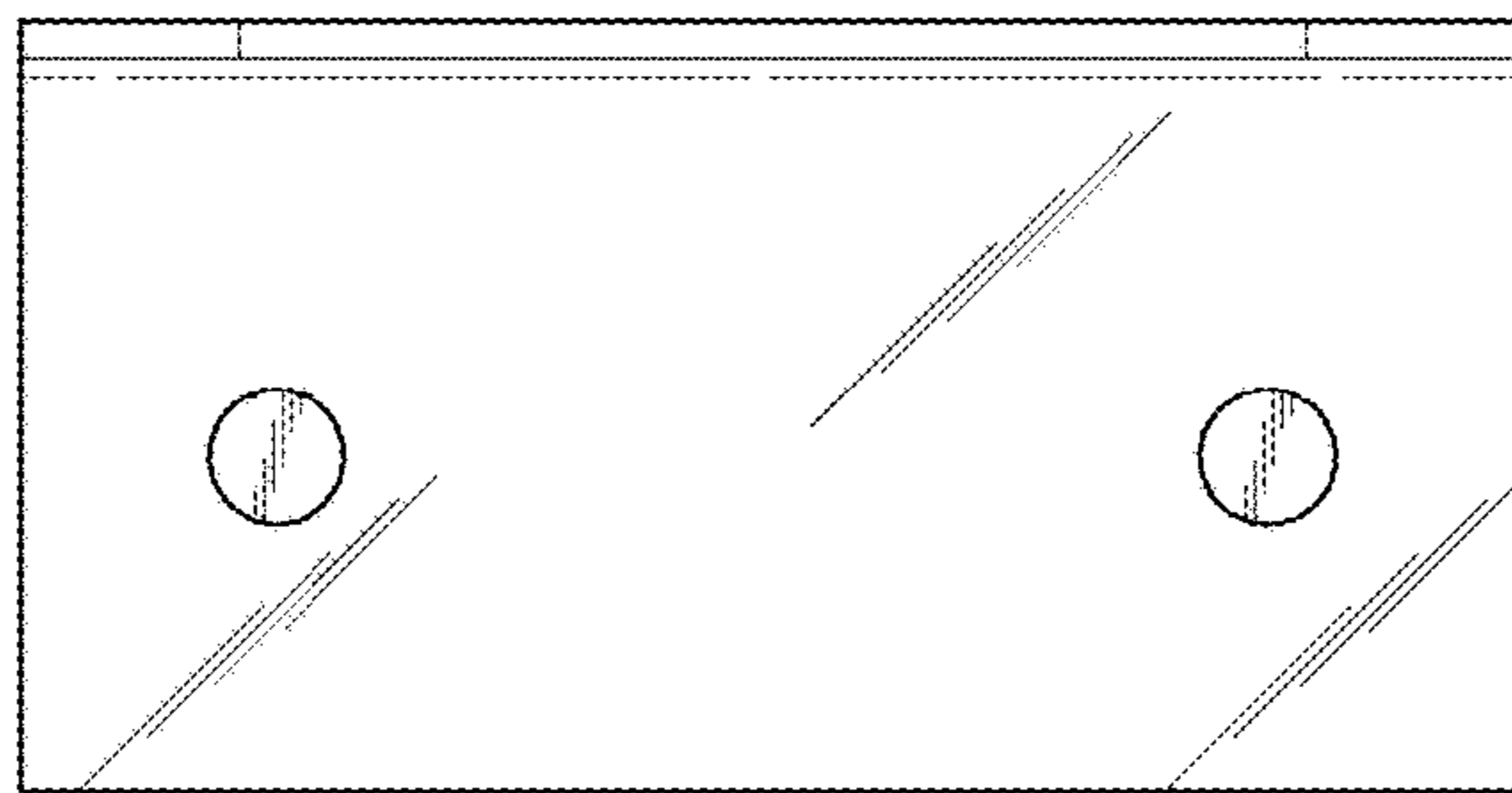


FIG. 6

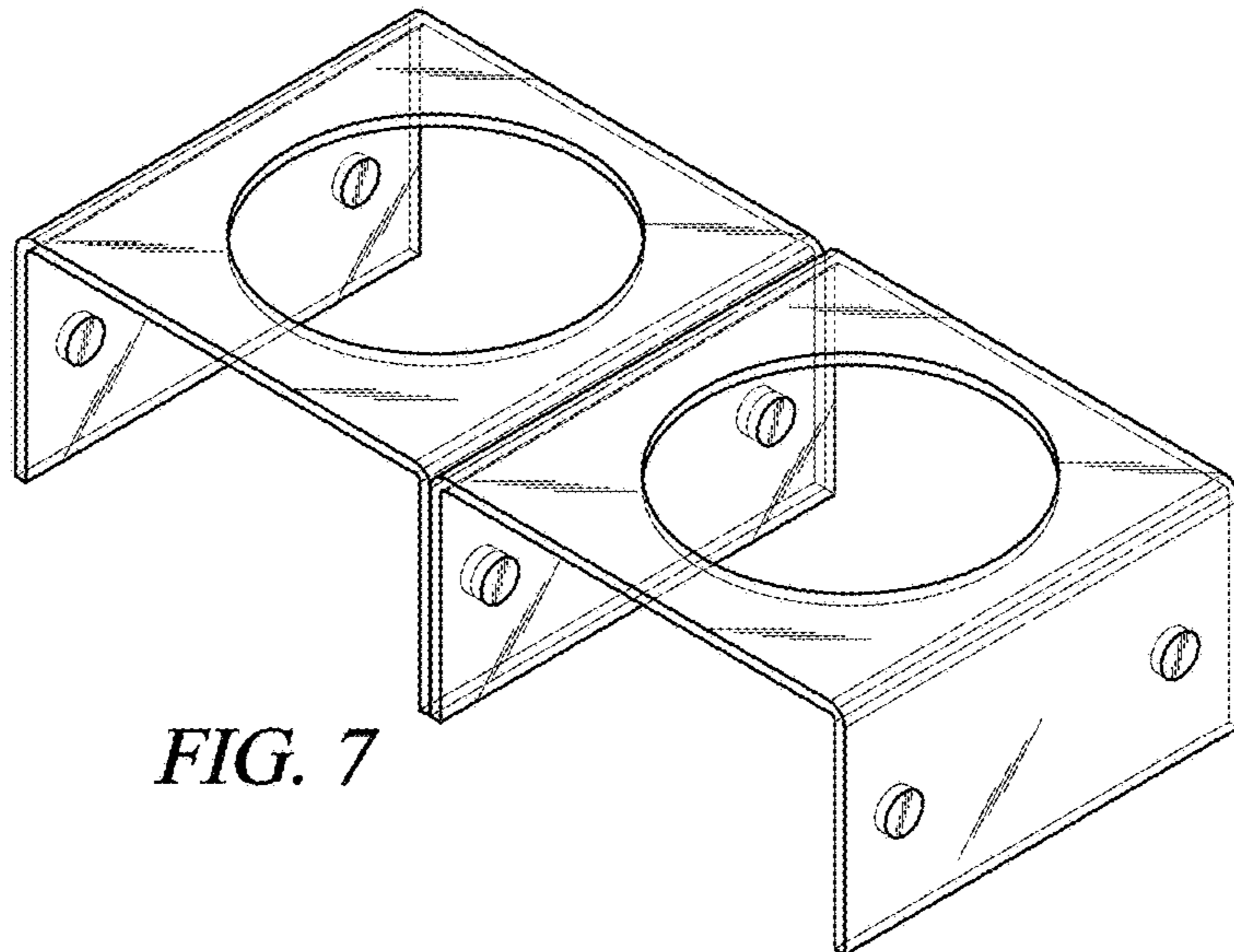


FIG. 7

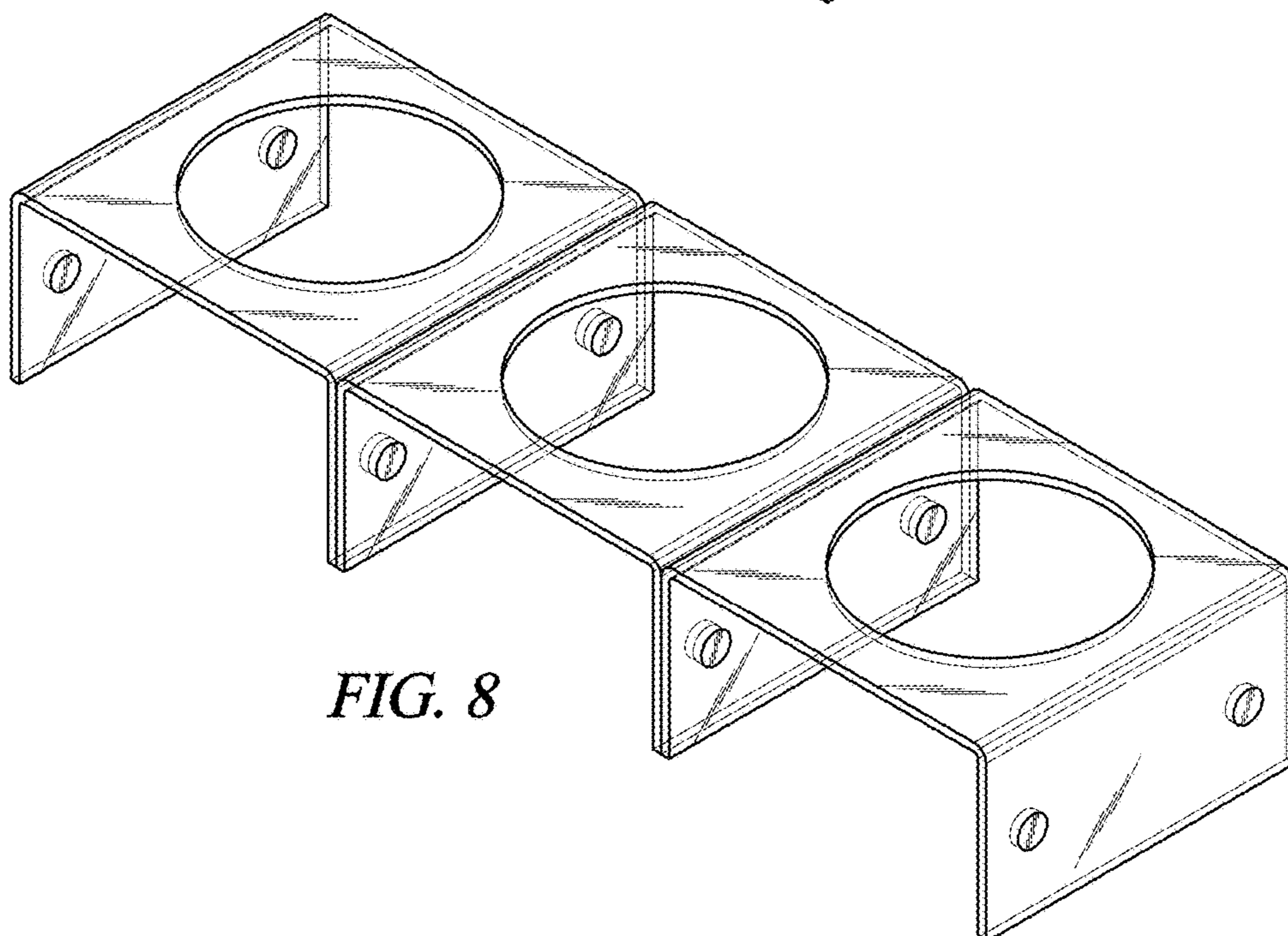


FIG. 8