



US00D854758S

(12) **United States Design Patent**
Rosca et al.

(10) **Patent No.:** **US D854,758 S**
(45) **Date of Patent:** **** Jul. 23, 2019**

(54) **HEADGEAR OF HELMET**

(71) Applicant: **LINCOLN GLOBAL INC.**, Santa Fe Springs (CA)

(72) Inventors: **Mircea Rosca**, Santa Fe Springs, CA (US); **Jamy Bulan**, Santa Fe Springs, CA (US); **Ziqian Wu**, Nanjing (CN)

(73) Assignee: **LINCOLN GLOBAL, INC.**, Santa Fe Springs, CA (US)

(**) Term: **15 Years**

(21) Appl. No.: **29/639,586**

(22) Filed: **Mar. 7, 2018**

(51) **LOC (11) Cl.** **29-02**

(52) **U.S. Cl.**
USPC **D29/122**

(58) **Field of Classification Search**
USPC D29/102–107, 122; 2/5, 6.1, 6.3, 6.7, 2/41–412, 414, 422–425, 9, 10; D2/869, D2/870, 872, 882, 884, 891
CPC A42B 3/00; A42B 3/127; F41H 1/08
See application file for complete search history.

(56) **References Cited**

U.S. PATENT DOCUMENTS

D503,499 S *	3/2005	Howard	D29/122
D696,469 S *	12/2013	Pfanner	D29/122
D710,546 S *	8/2014	Wu	D29/102
D767,829 S *	9/2016	Wu	D29/122
2018/0042330 A1	2/2018	Wu		
2018/0042774 A1	2/2018	Wu		

OTHER PUBLICATIONS

Translas Catalog; By Welders for Welders; pp. 1-298; e.g., p. 272, estimated Jan. 2018.

Headgear New and Improved; Arc Armor Difference; P/M 256174; Miller; website visited May 7, 2018; <https://www.millerwelds.com/accessories/helmet-accessories/headgear/gen-ii-headgear-256174>.
Helmet Parts for Viking Pivot Headgear Kit; Lincoln Electric; Model KP3908-1; website visited May 7, 2018; [http://www.lincolnelectric.com/en-us/equipment/accessories/Pages/product.aspx?product=KP3908-1\(LincolnElectric\)](http://www.lincolnelectric.com/en-us/equipment/accessories/Pages/product.aspx?product=KP3908-1(LincolnElectric)).

* cited by examiner

Primary Examiner — Randall H Gholson

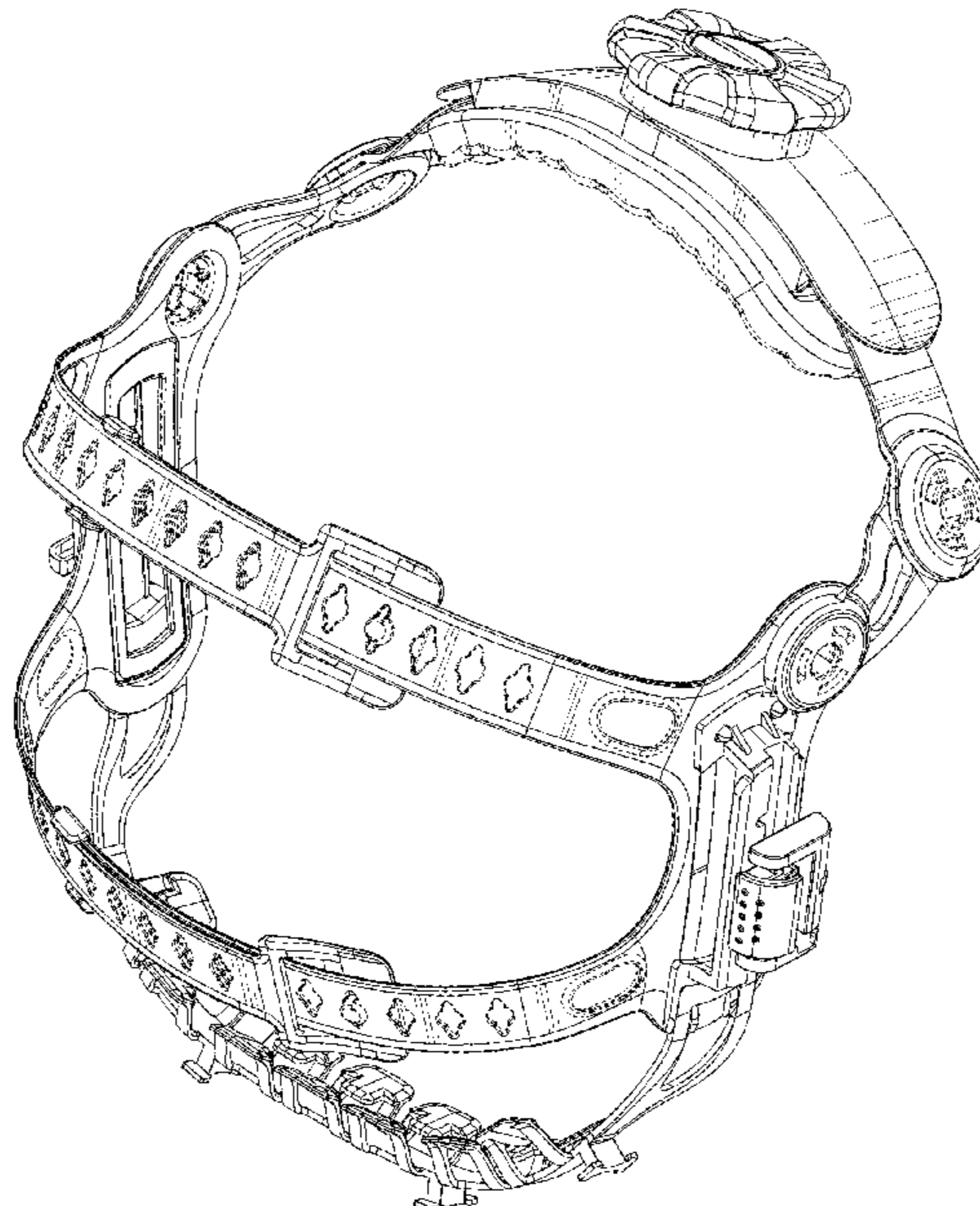
(57) **CLAIM**

The ornamental design for a headgear of a helmet, as shown and described.

DESCRIPTION

FIG. 1 is a perspective view of the design for the headgear of a helmet;
FIG. 2 is a top view of a design for the headgear of a helmet;
FIG. 3 is a bottom view of a design for the headgear of a helmet;
FIG. 4 is a right hand view of a design for the headgear of a helmet;
FIG. 5 is a left hand view of a design for the headgear of a helmet;
FIG. 6 is a back view of a design for the headgear of a helmet; and,
FIG. 7 is a front view of a design for the headgear of a helmet.
In these drawings, the solid lines illustrate the claimed ornamental design, whereas the broken lines illustrate environmental features that form no part of the claimed ornamental design.

1 Claim, 7 Drawing Sheets



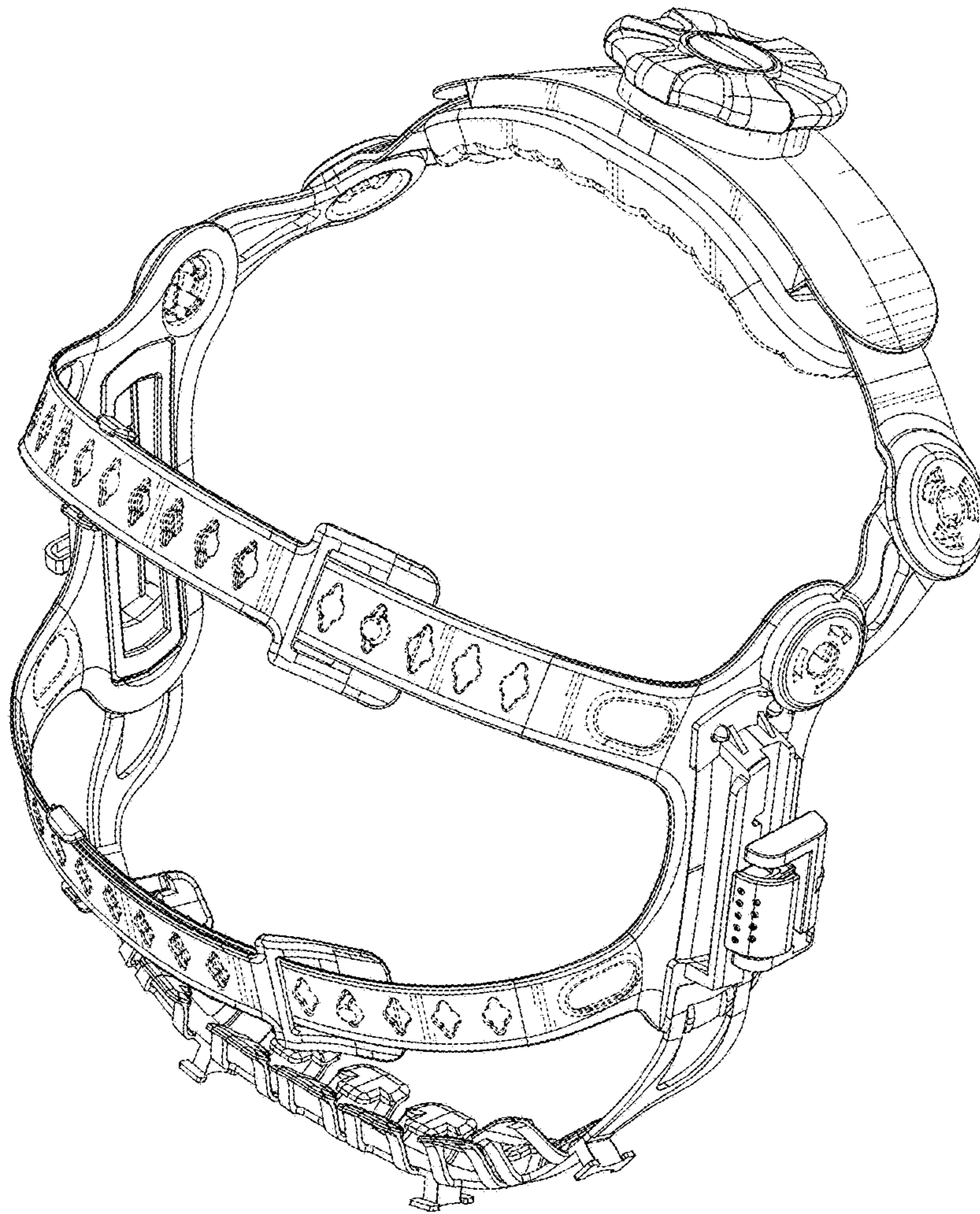


FIG. 1

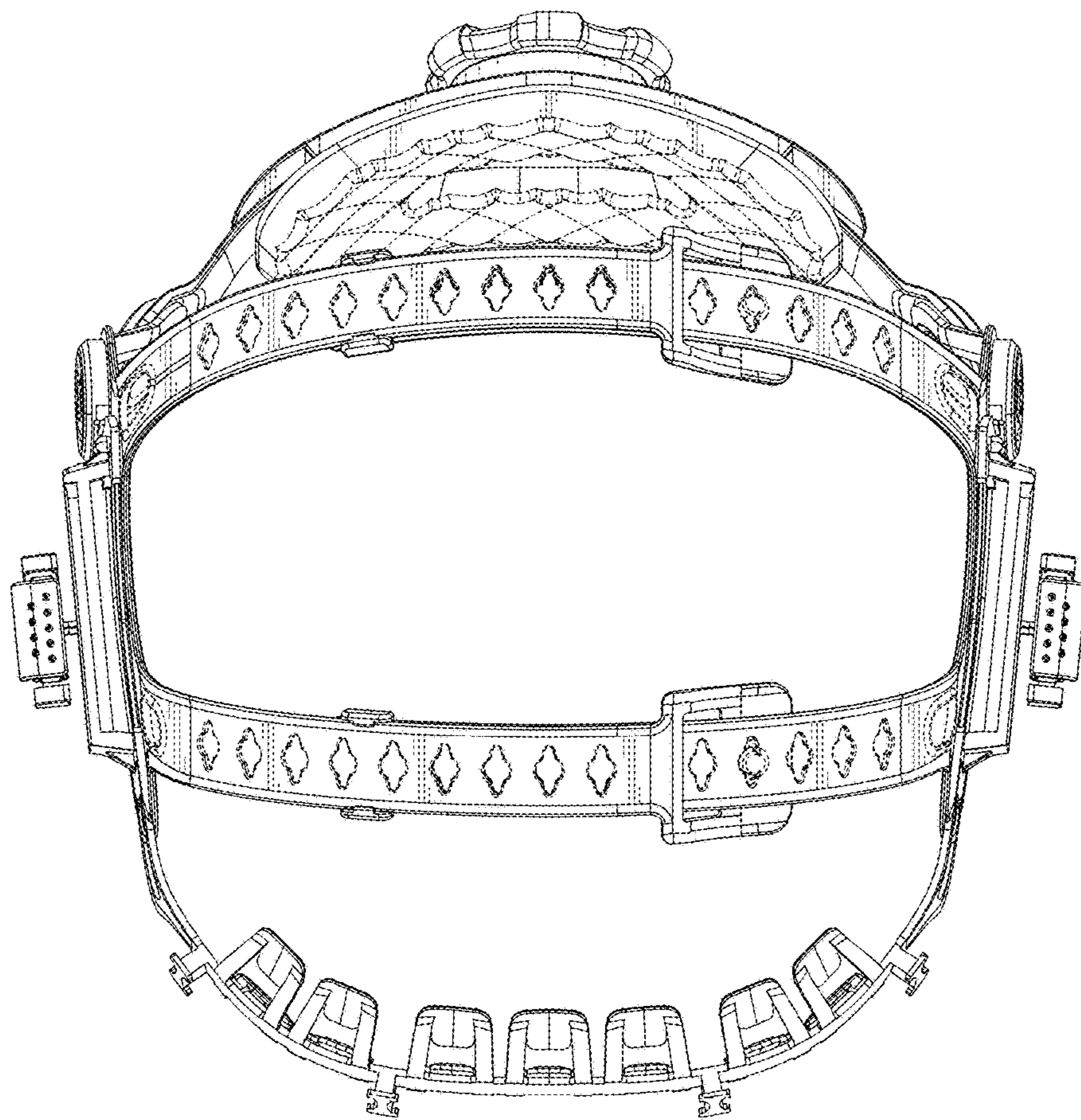


FIG. 2

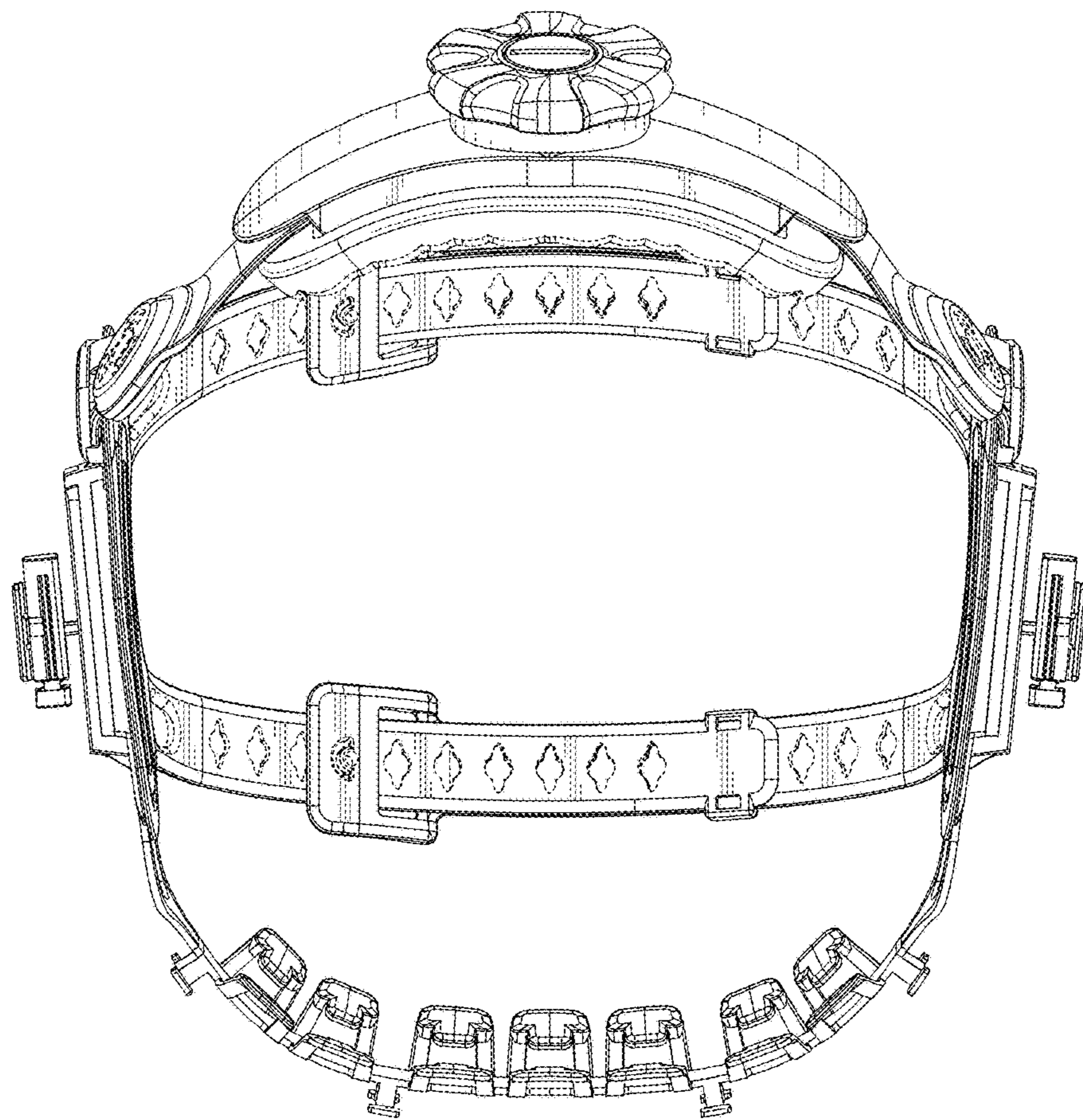


FIG. 3

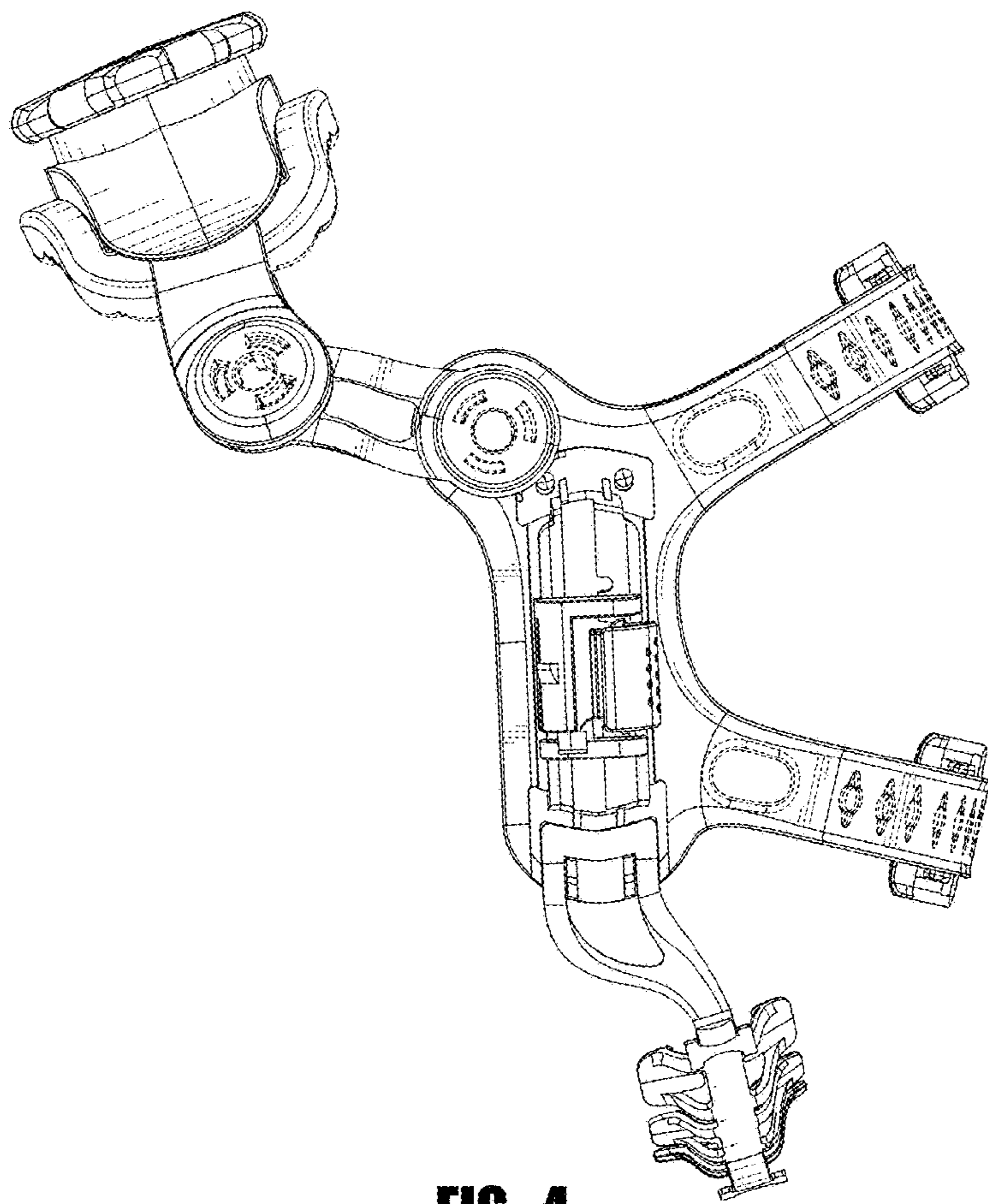


FIG. 4

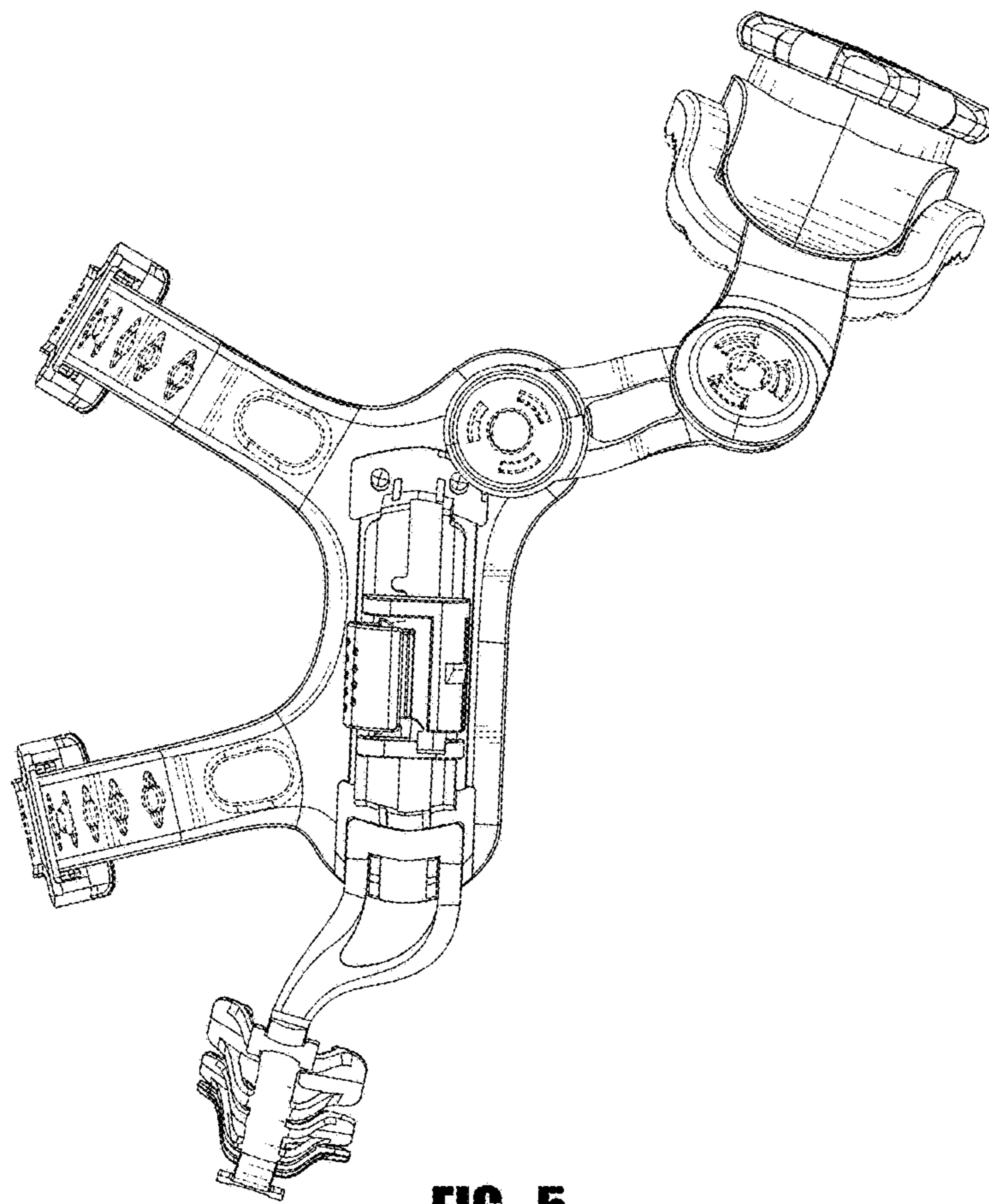


FIG. 5

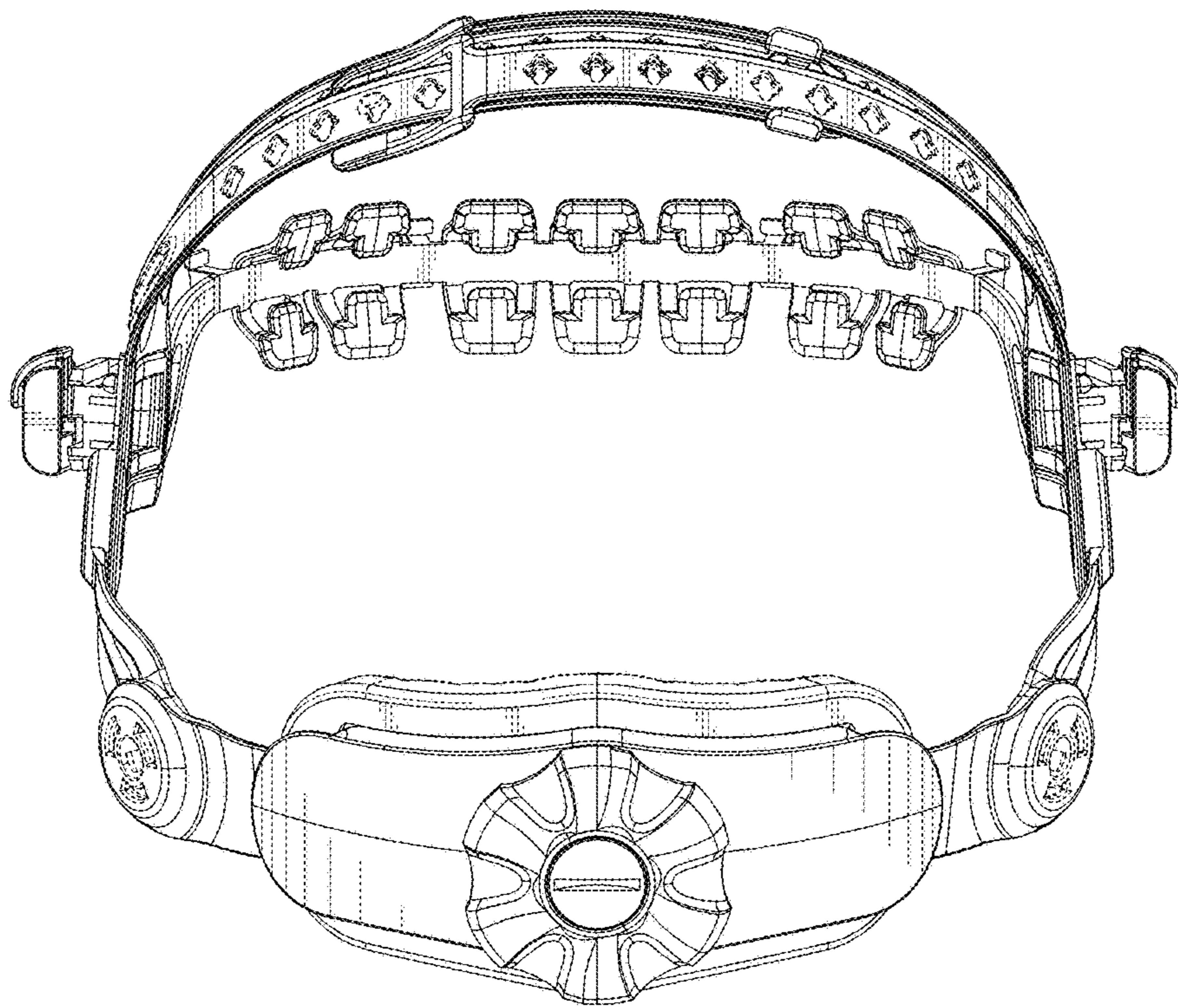


FIG. 6

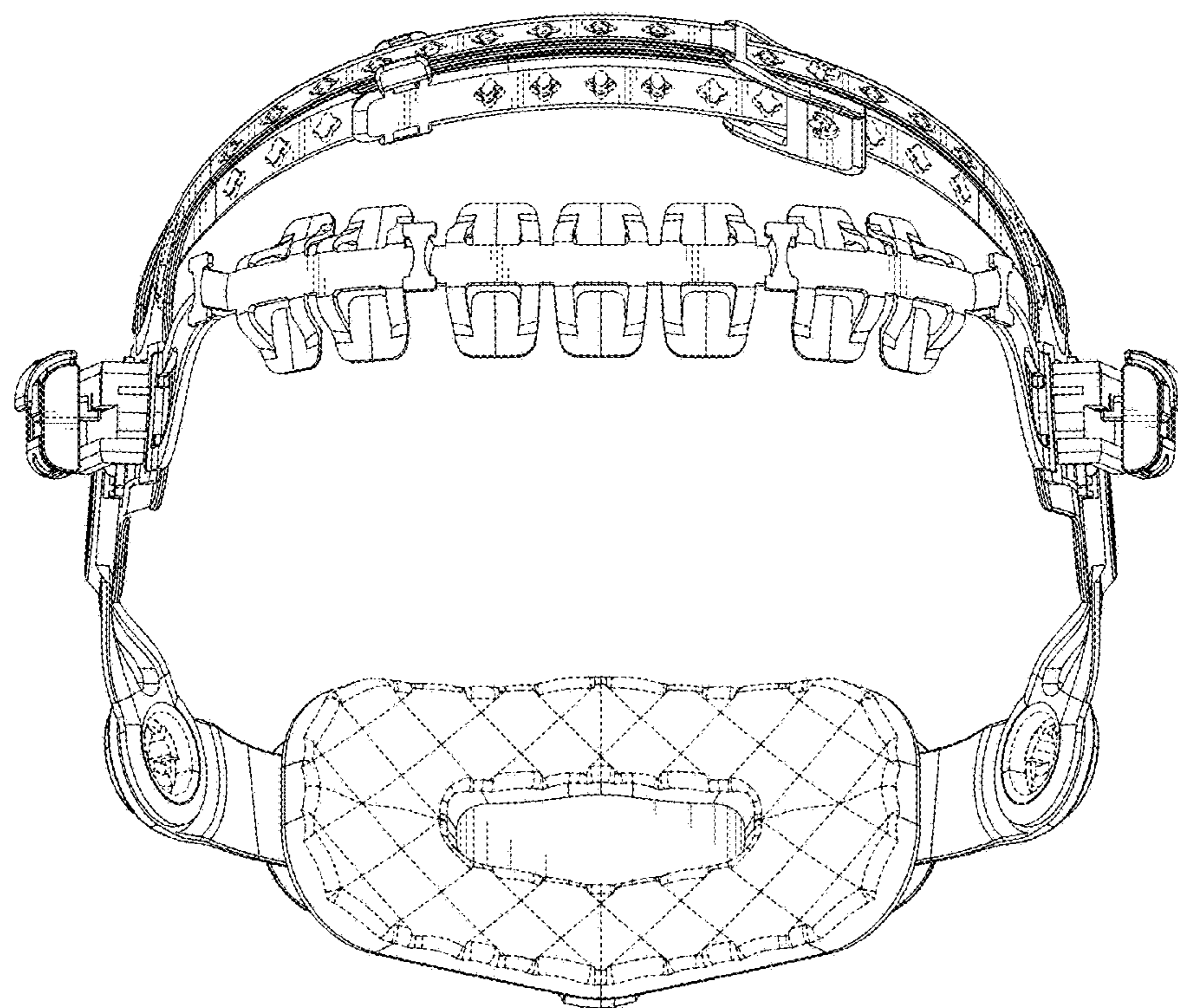


FIG. 7