



US00D854757S

(12) **United States Design Patent** (10) **Patent No.:** **US D854,757 S**
Willows et al. (45) **Date of Patent:** **** Jul. 23, 2019**

- (54) **REFLECTIVE STRIP**
- (71) Applicant: **Amphipod, Inc.**, Seattle, WA (US)
- (72) Inventors: **Keith S. Willows**, Seattle, WA (US);
June A. Angus, Seattle, WA (US);
Antonio Del Rosario, Bellevue, WA (US)
- (73) Assignee: **Amphipod, Inc.**, Seattle, WA (US)
- (**) Term: **15 Years**
- (21) Appl. No.: **29/637,630**
- (22) Filed: **Feb. 20, 2018**
- (51) **LOC (11) Cl.** **29-02**
- (52) **U.S. Cl.**
USPC **D29/122; D2/895**
- (58) **Field of Classification Search**
USPC **D29/122; D10/109.1; D20/10**
CPC **A41D 13/01; A41D 27/08; B60Q 7/00;**
A01K 13/003; A45F 3/14; B62J 27/00
See application file for complete search history.

- (56) **References Cited**
- U.S. PATENT DOCUMENTS
- | | | |
|-------------|---------|----------------|
| 2,441,002 A | 5/1943 | Berglund |
| 3,363,293 A | 1/1968 | Nemrod et al. |
| 3,849,804 A | 11/1974 | Rakow |
| 3,894,790 A | 7/1975 | Golden et al. |
| 3,901,554 A | 8/1975 | Kennedy et al. |
| 4,517,685 A | 5/1985 | Lesley |
| 4,571,025 A | 2/1986 | Stephen |
| 4,574,742 A | 3/1986 | Morgan |
| 5,088,439 A | 2/1992 | Anderson |
| 5,169,702 A | 12/1992 | Schell |
| 5,193,026 A | 3/1993 | Purvis et al. |
| 5,349,920 A | 9/1994 | Koizumi |
| D369,237 S | 4/1996 | Gamm |
| 5,520,417 A | 5/1996 | Kennemer |

- | | | |
|--------------|--------|---------------|
| 5,624,065 A | 4/1997 | Steppe |
| 5,671,517 A | 9/1997 | Gourley |
| D408,865 S | 4/1999 | Link et al. |
| 5,913,483 A | 6/1999 | Polk |
| 6,267,462 B1 | 7/2001 | Miller et al. |

(Continued)

Primary Examiner — Randall H Gholson
(74) *Attorney, Agent, or Firm* — Lowe Graham Jones PLLC

(57) **CLAIM**

We claim the ornamental design for a reflective strip, as shown and described.

DESCRIPTION

FIGS. 1-7 illustrate a first embodiment of a reflective strip, showing our new design.

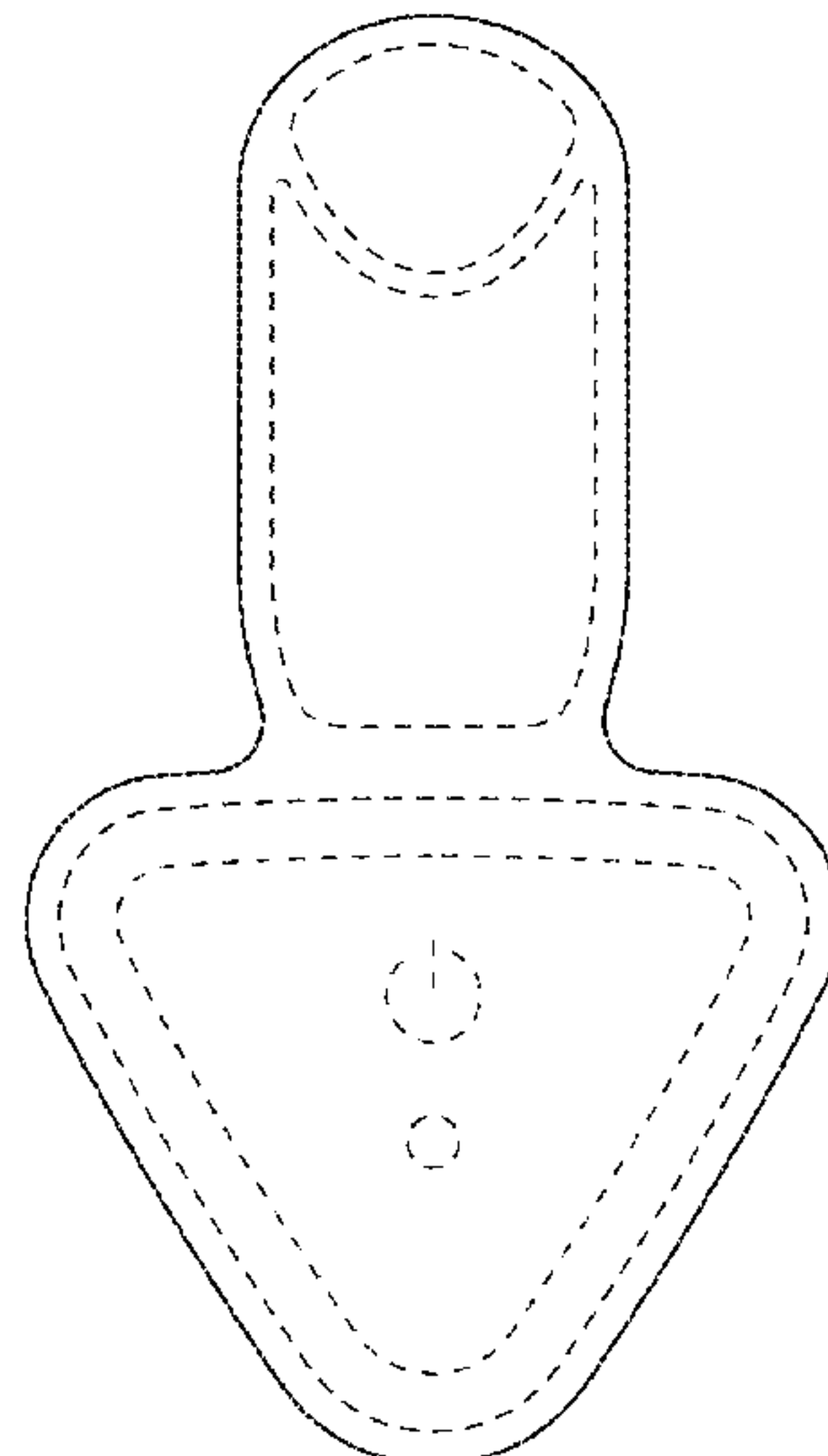
FIG. 1 is a front view of the reflective strip.
FIG. 2 is a top view of the reflective strip.
FIG. 3 is a left side view of the reflective strip.
FIG. 4 is a right side view of the reflective strip.
FIG. 5 is a bottom view of the reflective strip.
FIG. 6 is rear a view of the reflective strip.
FIG. 7 is a perspective view of the reflective strip, shown in a folded position and clipped to a representative pocket illustrated in broken lines.

FIGS. 8-14 illustrate a second embodiment of the reflective strip.

FIG. 8 is a front view of the reflective strip.
FIG. 9 is a top view of the reflective strip.
FIG. 10 is a left side view of the reflective strip.
FIG. 11 is a right side view of the reflective strip.
FIG. 12 is a bottom view of the reflective strip.
FIG. 13 is rear a view of the reflective strip; and,
FIG. 14 is a perspective view of the reflective strip, shown in a folded position and clipped to a representative pocket illustrated in broken lines.

The broken lines shown in the drawings represent unclaimed subject matter and form no part of the claimed design.

1 Claim, 4 Drawing Sheets



(56)

References Cited

U.S. PATENT DOCUMENTS

| | | | | |
|-----------|-----|---------|-------------------|-----------|
| D454,671 | S | 3/2002 | Miller et al. | |
| 6,779,815 | B2 | 8/2004 | Vandeputte | |
| 6,928,951 | B2 | 8/2005 | Huang | |
| D567,449 | S | 4/2008 | Armentrout et al. | |
| 7,404,242 | B1 | 7/2008 | Ferler | |
| D623,309 | S | 9/2010 | Turtzo et al. | |
| D635,287 | S | 3/2011 | Lombana | |
| D639,345 | S | 6/2011 | Jedlicka | |
| D664,348 | S | 7/2012 | Armstrong | |
| D670,074 | S | 11/2012 | Willows et al. | |
| 8,408,730 | B2 | 4/2013 | Hurwitz | |
| 8,426,072 | B2 | 4/2013 | Hurwitz | |
| 8,998,052 | B1 | 4/2015 | Mitchell | |
| D745,221 | S | 12/2015 | Willows et al. | |
| D745,223 | S | 12/2015 | Willows et al. | |
| D754,931 | S | 4/2016 | Willows et al. | |
| D754,932 | S | 4/2016 | Willows et al. | |
| 9,310,068 | B1 | 4/2016 | Mason | |
| D779,133 | S * | 2/2017 | Willows | D10/109.1 |
| D800,392 | S * | 10/2017 | Willows | D29/122 |

* cited by examiner



Fig. 2

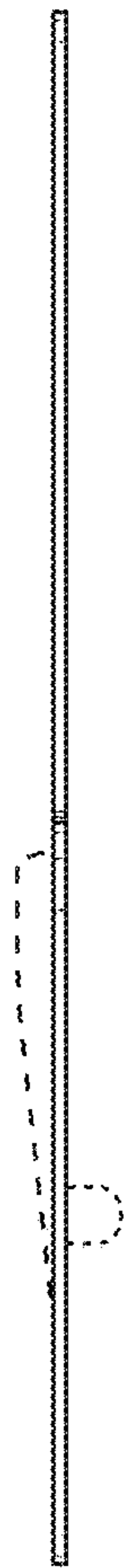


Fig. 3

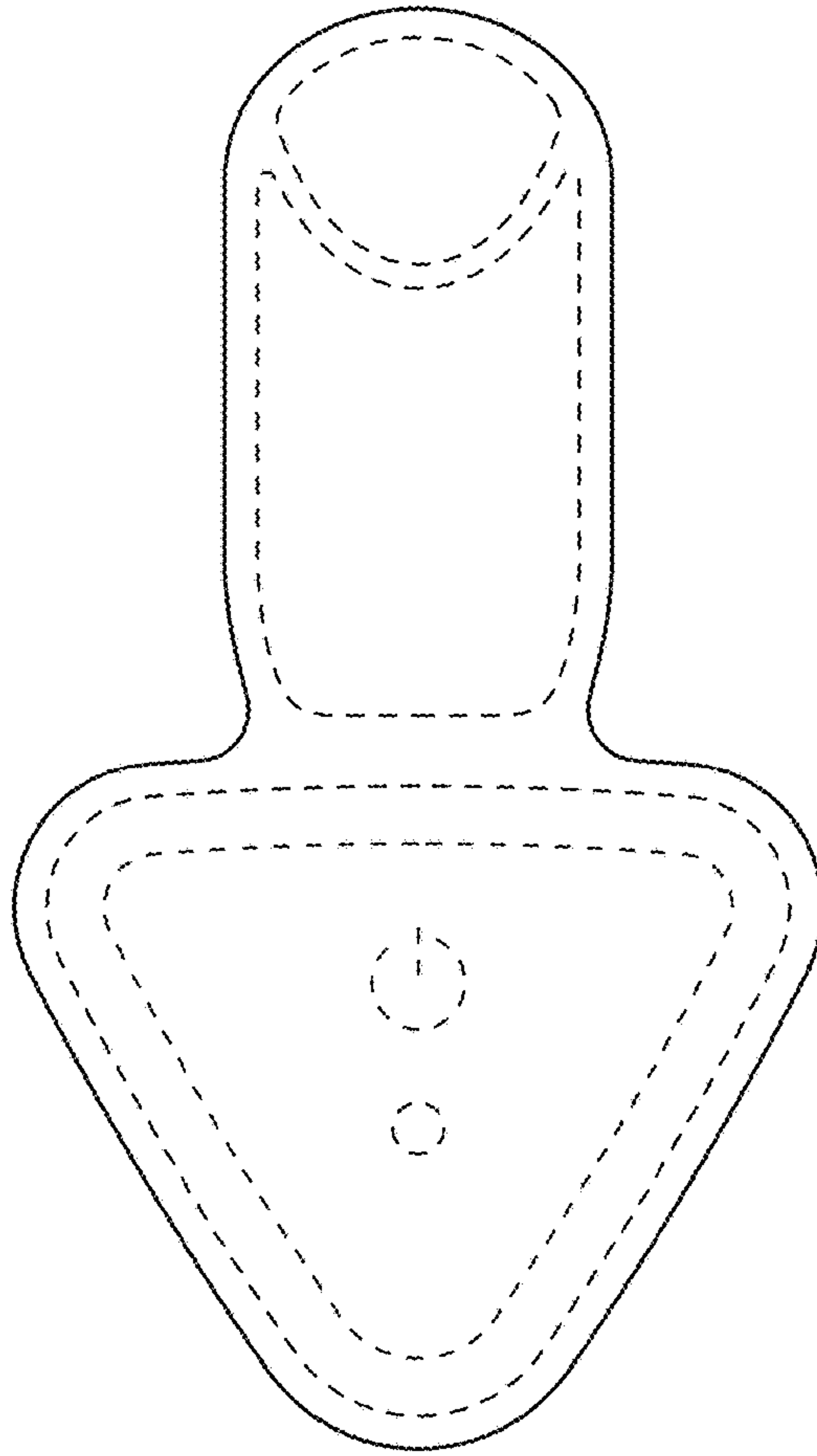


Fig. 1



Fig. 4

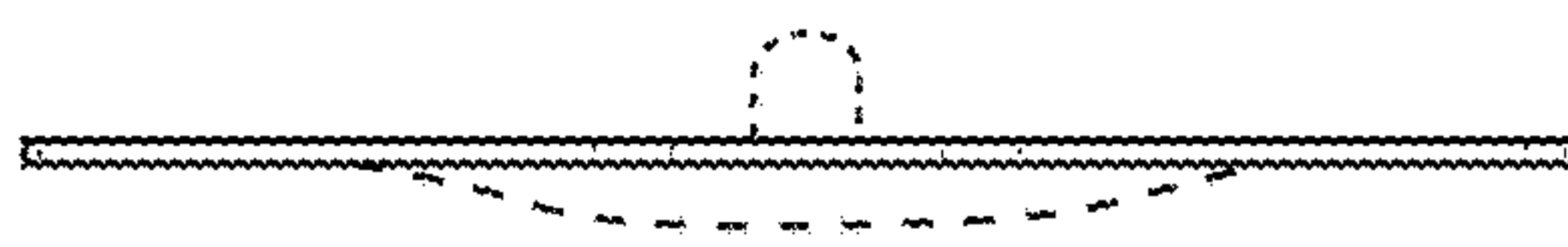


Fig. 5

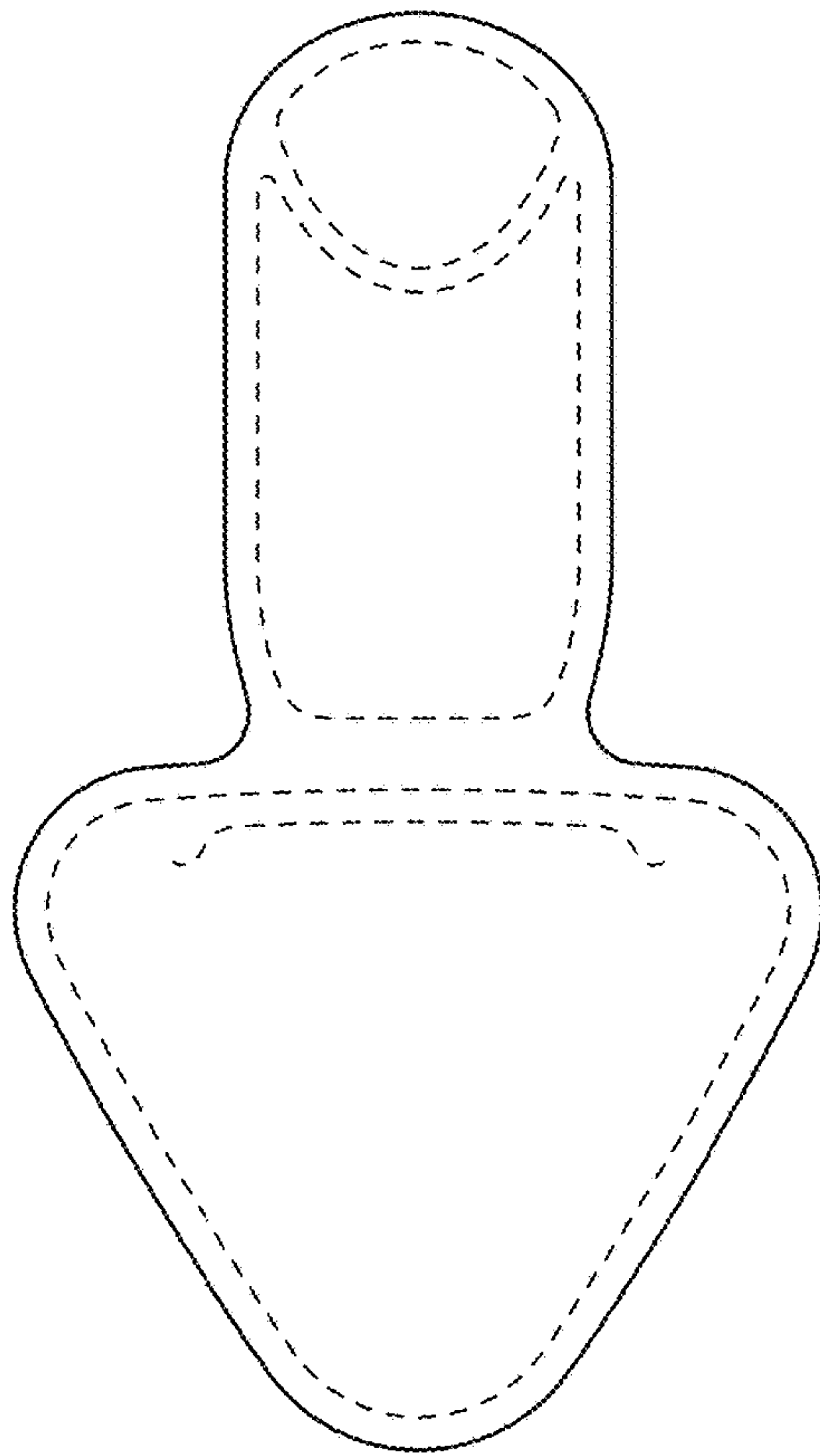


Fig. 6

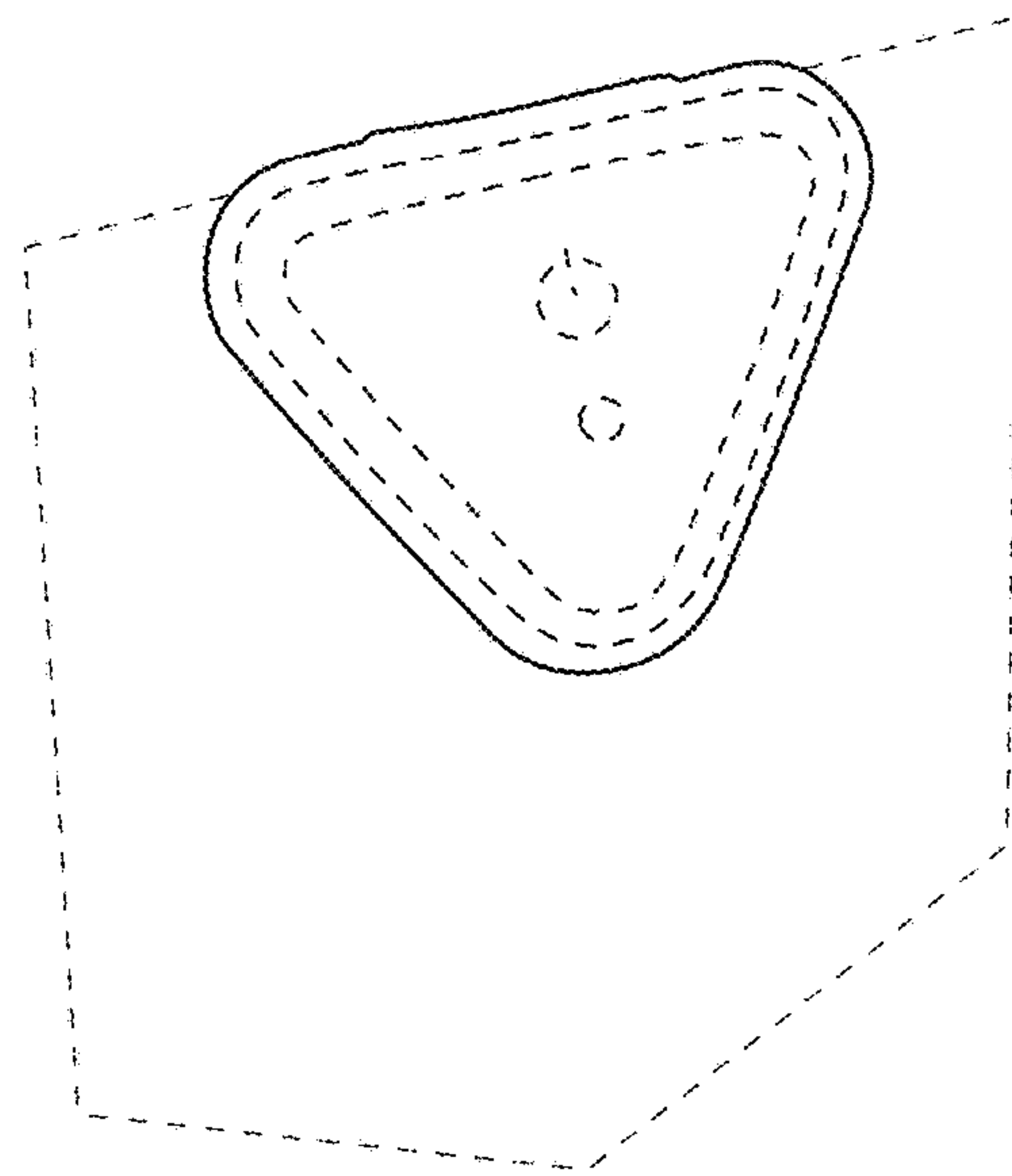


Fig. 7

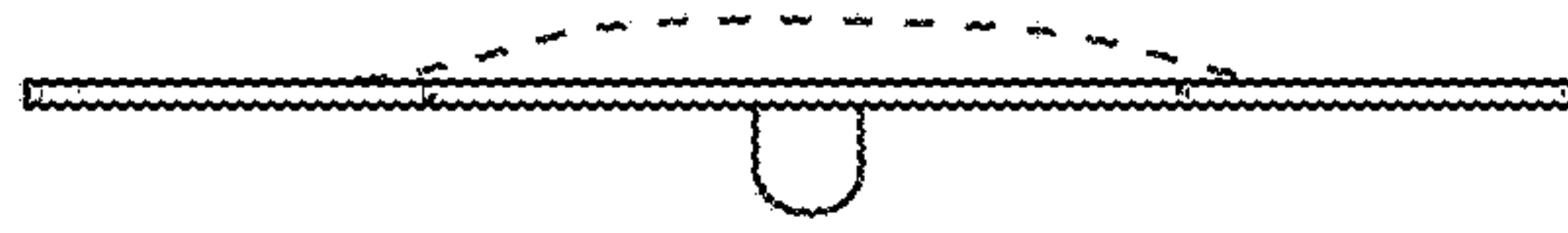


Fig. 9

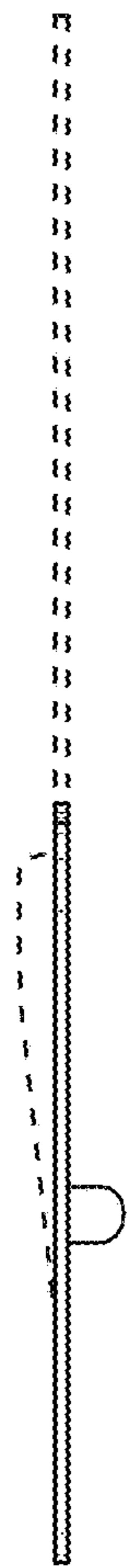


Fig. 10

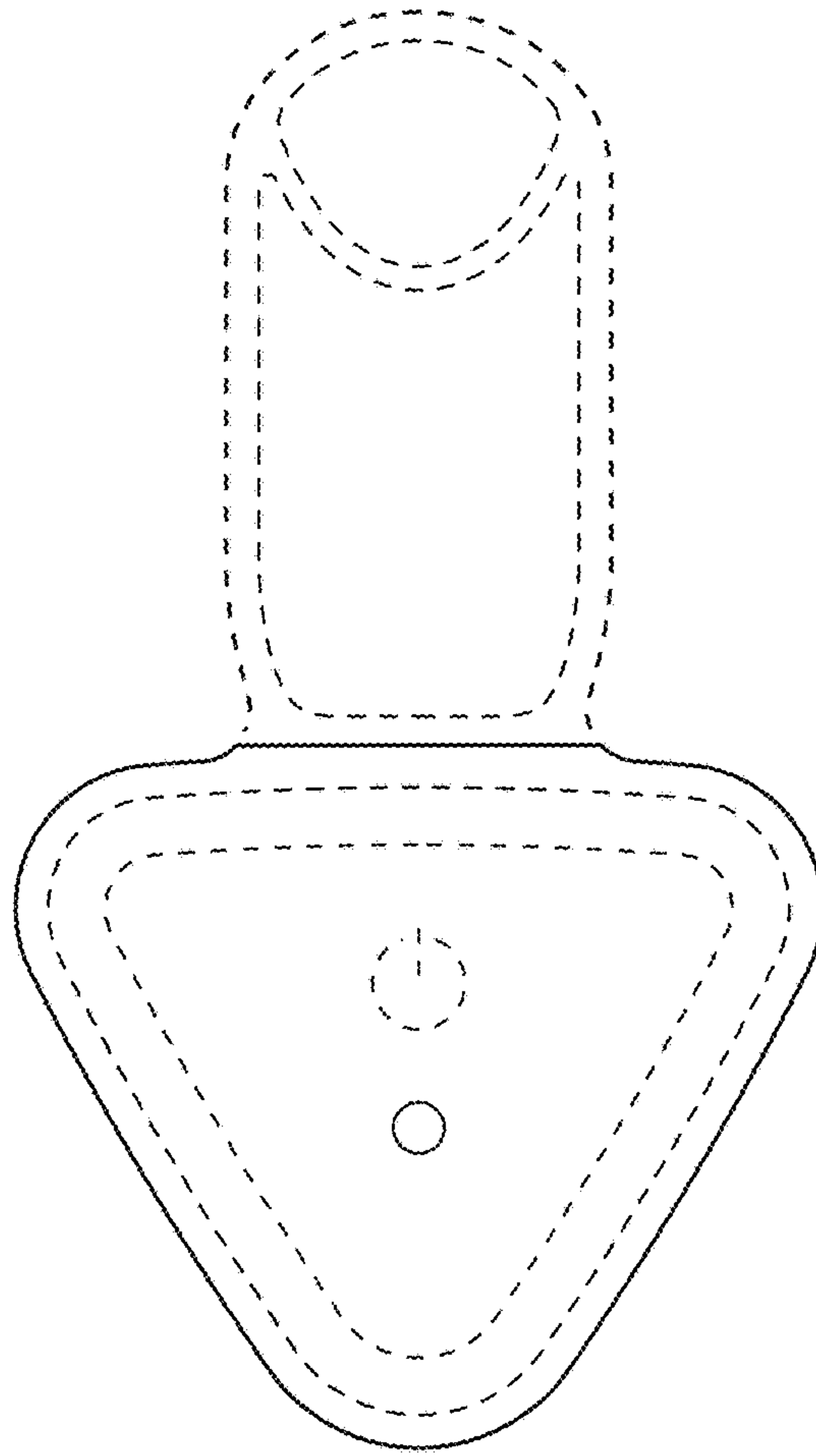


Fig. 8

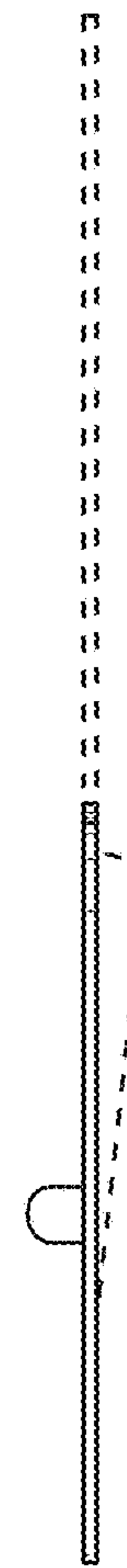


Fig. 11

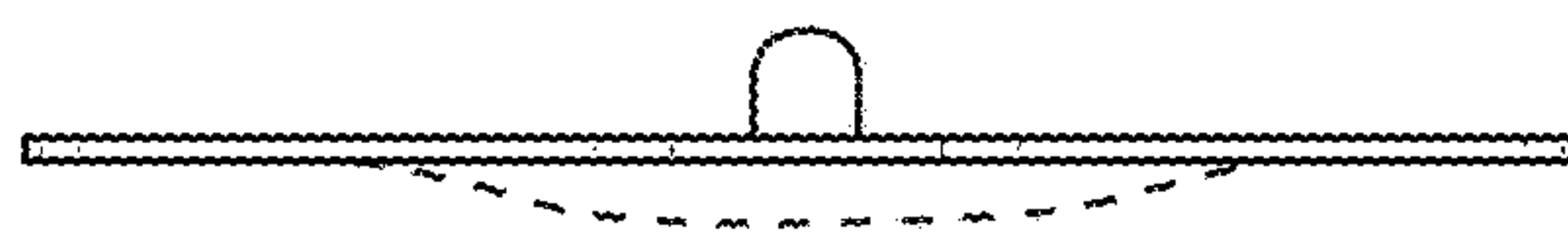


Fig. 12

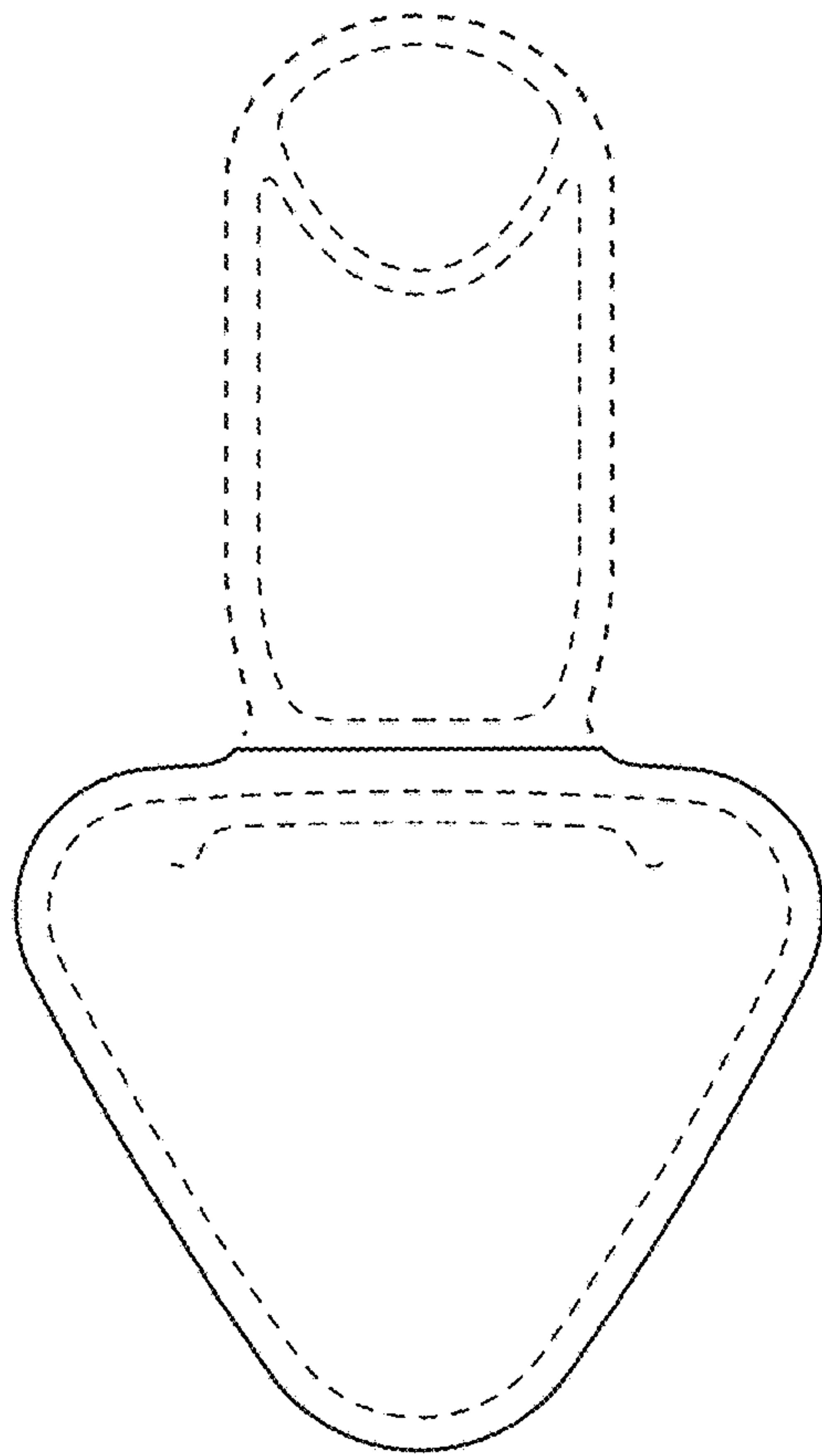


Fig. 13

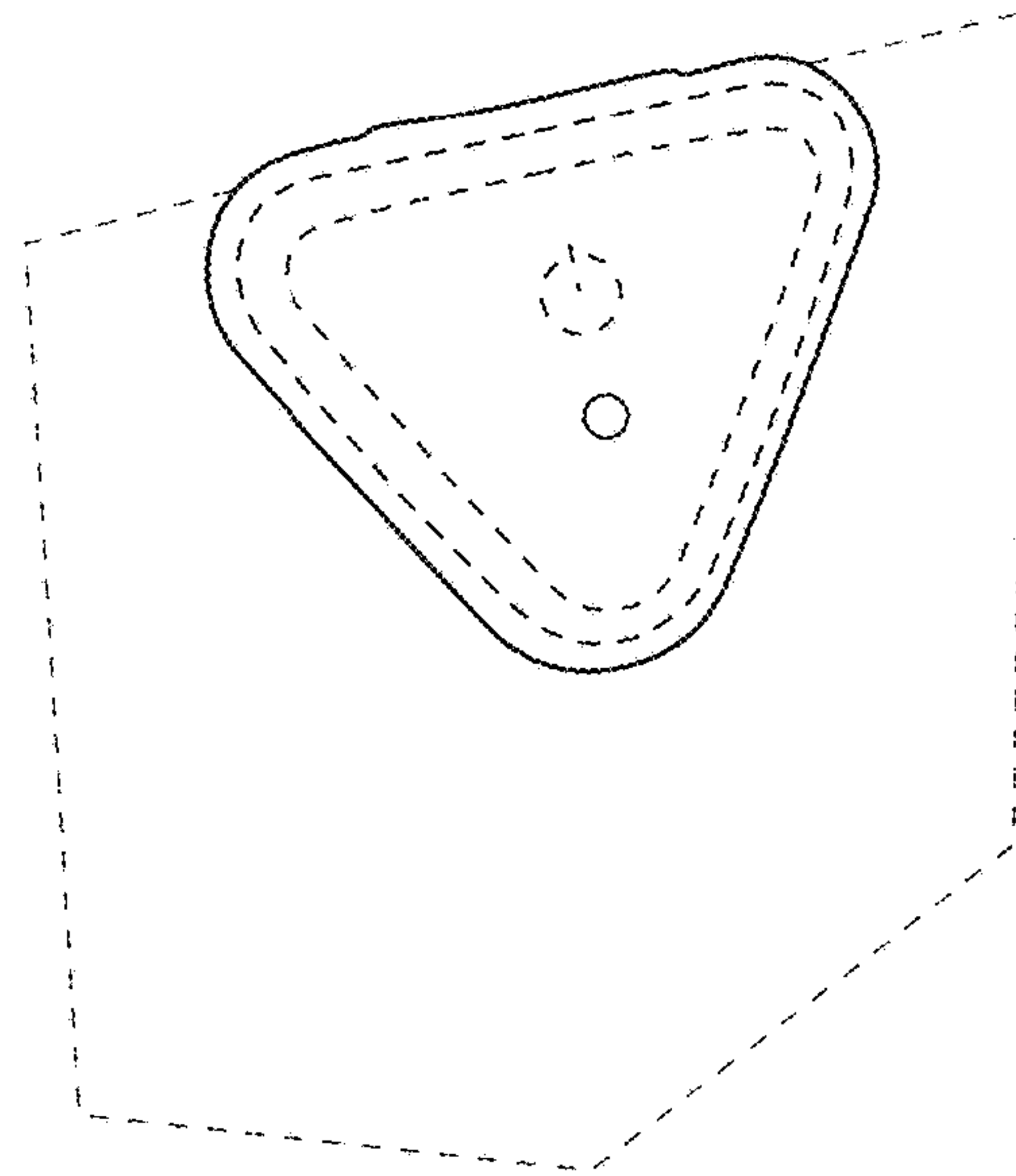


Fig. 14