



US00D854756S

(12) **United States Design Patent**  
**Hovan et al.**

(10) **Patent No.:** **US D854,756 S**  
(45) **Date of Patent:** **\*\* Jul. 23, 2019**

(54) **HELMET RETENTION SYSTEM**

(71) Applicant: **Gentex Corporation**, Simpson, PA (US)  
(72) Inventors: **John A. Hovan**, Forest City, PA (US);  
**Joseph Slivinski**, Peckville, PA (US);  
**Jillian Haldaman**, Bath, PA (US)  
(73) Assignee: **GENTEX CORPORATION**, Simpson, PA (US)  
(\*\*) Term: **15 Years**

(21) Appl. No.: **29/632,410**  
(22) Filed: **Jan. 8, 2018**

**Related U.S. Application Data**

(62) Division of application No. 29/521,510, filed on Mar. 24, 2015, now Pat. No. Des. 810,362.  
(51) **LOC (11) Cl.** ..... **29-02**  
(52) **U.S. Cl.**  
USPC ..... **D29/122**  
(58) **Field of Classification Search**  
USPC ..... D29/100, 102, 105, 106, 108, 112, 122;  
2/455, 410, 423, 424, 425, 9, 171, 206,  
2/208, 209, 918; D14/205, 223;  
181/129, 135; 379/430, 431; 381/380,  
381/381, 374  
CPC ..... A42B 3/16; A42B 3/163; A42B 3/166;  
A61F 11/06; A61F 11/08; A61F  
2011/085; A61F 11/10; A61F 11/12;  
A61F 11/14; A61F 2011/145; A63B  
71/10; H04R 1/10; H04R 1/1008; H04R  
1/1016; H04R 1/105; H04R 5/033; H04R  
5/0335

See application file for complete search history.

(56) **References Cited**

U.S. PATENT DOCUMENTS

D407,860 S \* 4/1999 Cox ..... D29/122  
D604,461 S \* 11/2009 Goldman ..... D29/122  
9,307,802 B2 \* 4/2016 Hall ..... A42B 3/142

\* cited by examiner

*Primary Examiner* — Randall H Gholson  
(74) *Attorney, Agent, or Firm* — Morgan, Lewis & Bockius LLP

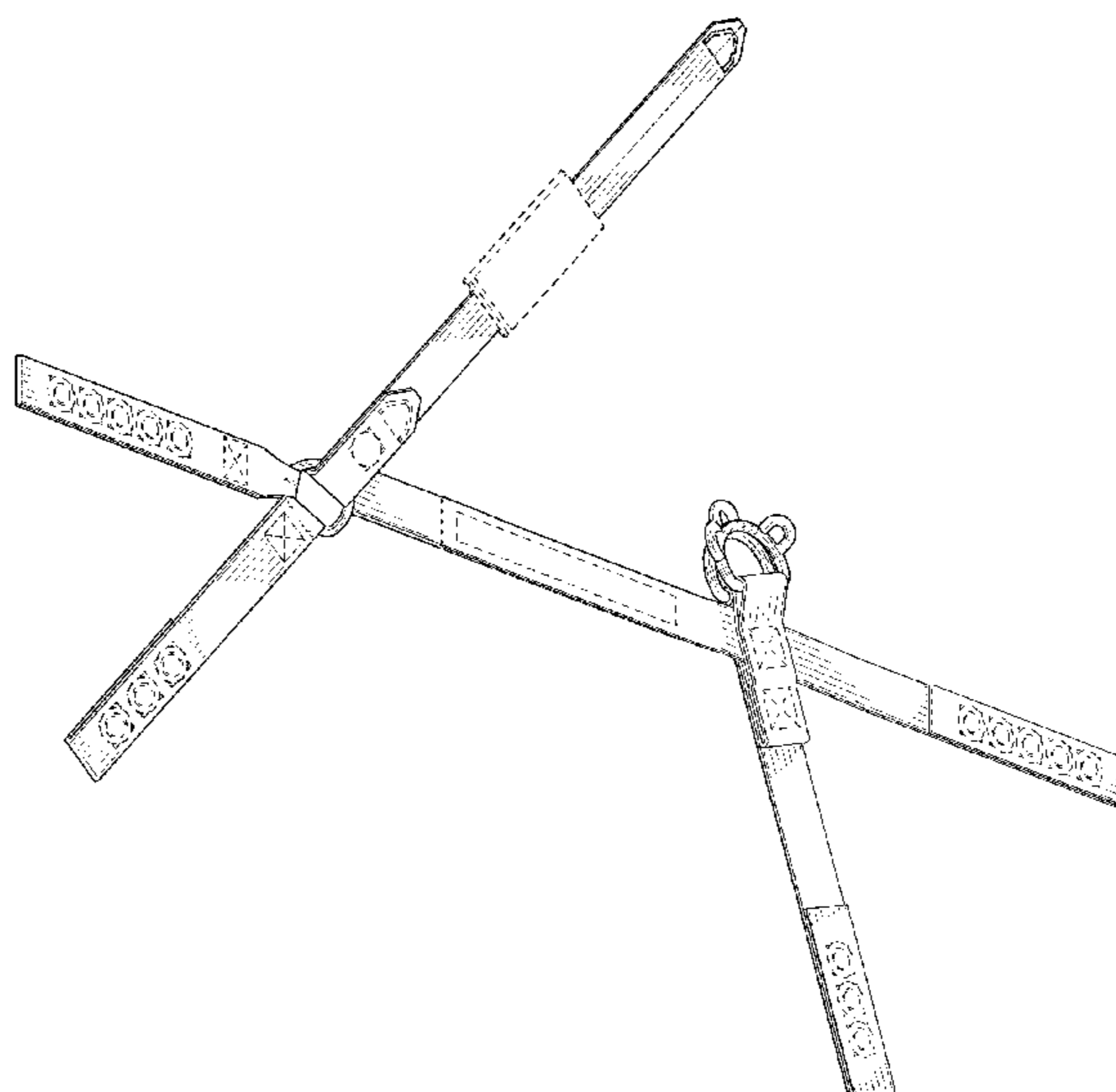
(57) **CLAIM**

The ornamental design for a helmet retention system, as shown and described.

**DESCRIPTION**

FIG. 1 is a front perspective view of a helmet retention system in accordance with our new design;  
FIG. 2 is a top plan view of the helmet retention system shown in FIG. 1;  
FIG. 3 is a bottom plan view of the helmet retention system shown in FIG. 1;  
FIG. 4 is a left-side elevational view of the helmet retention system shown in FIG. 1; and,  
FIG. 5 is a right-side elevational view of the helmet retention system shown in FIG. 1.  
The broken lines immediately adjacent the shaded areas represent the bounds of the claimed design while all other broken lines are directed to environment and are for illustrative purposes only; the broken lines form no part of the claimed design.

**1 Claim, 4 Drawing Sheets**



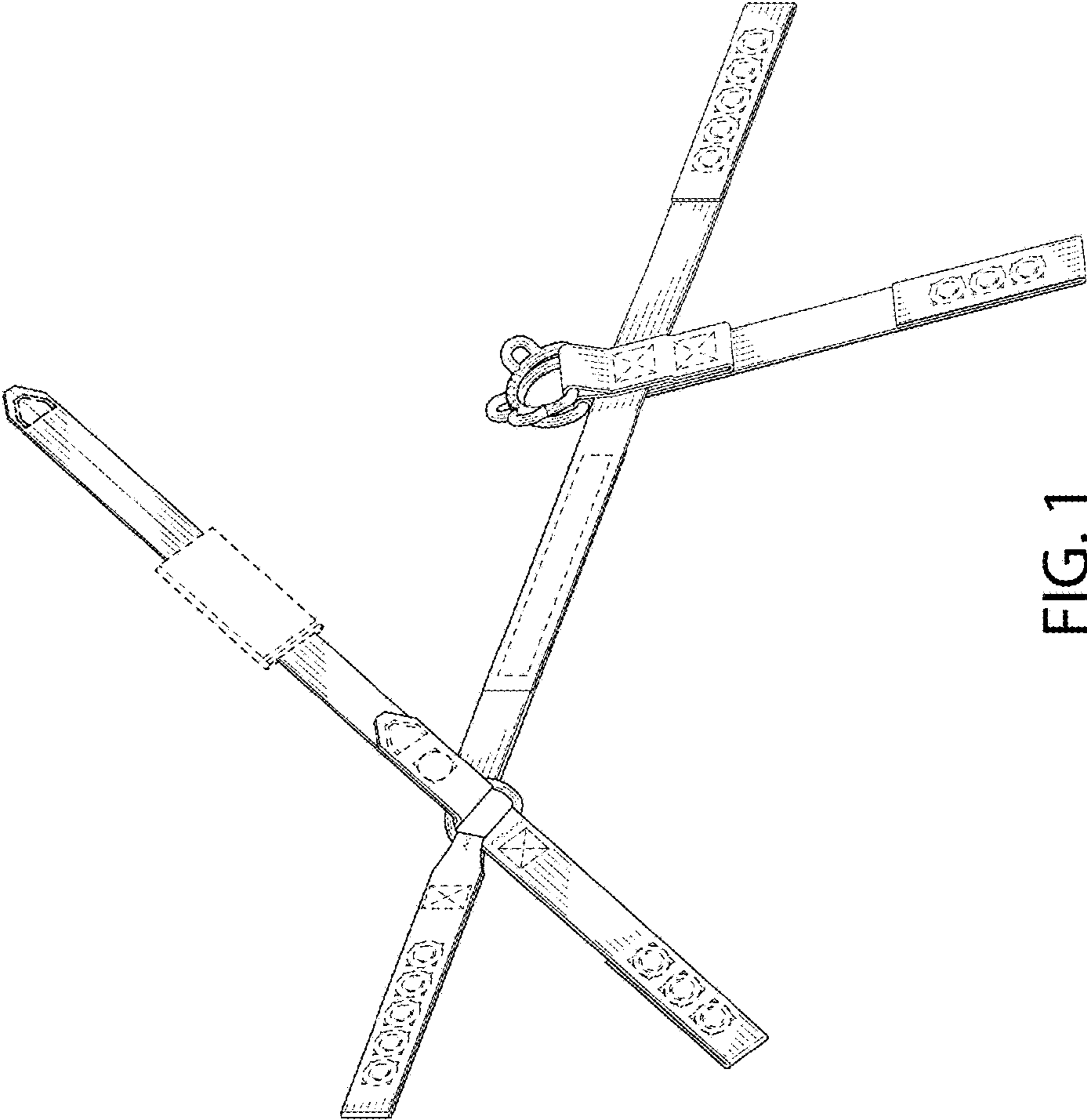


FIG. 1

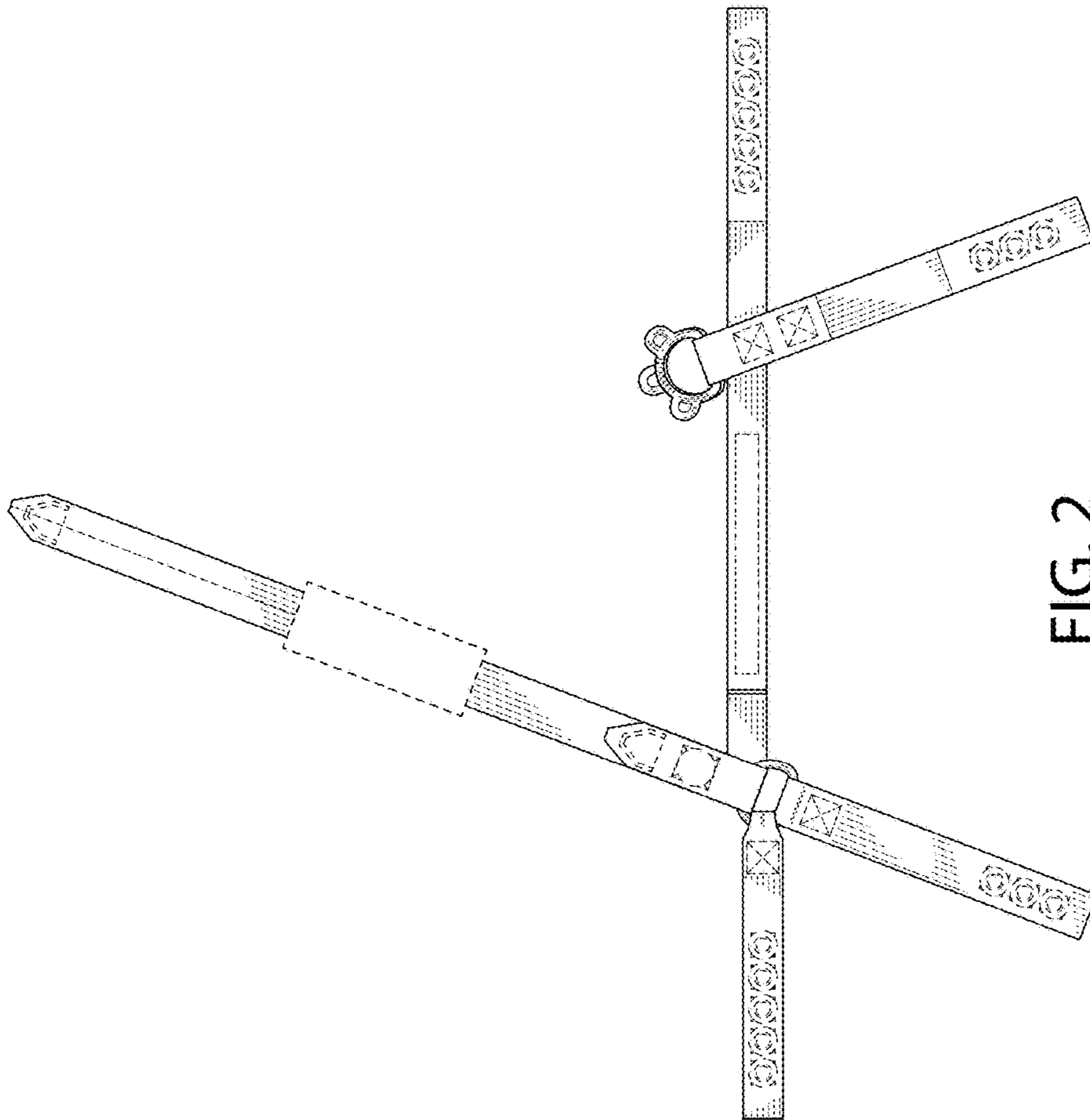


FIG. 2

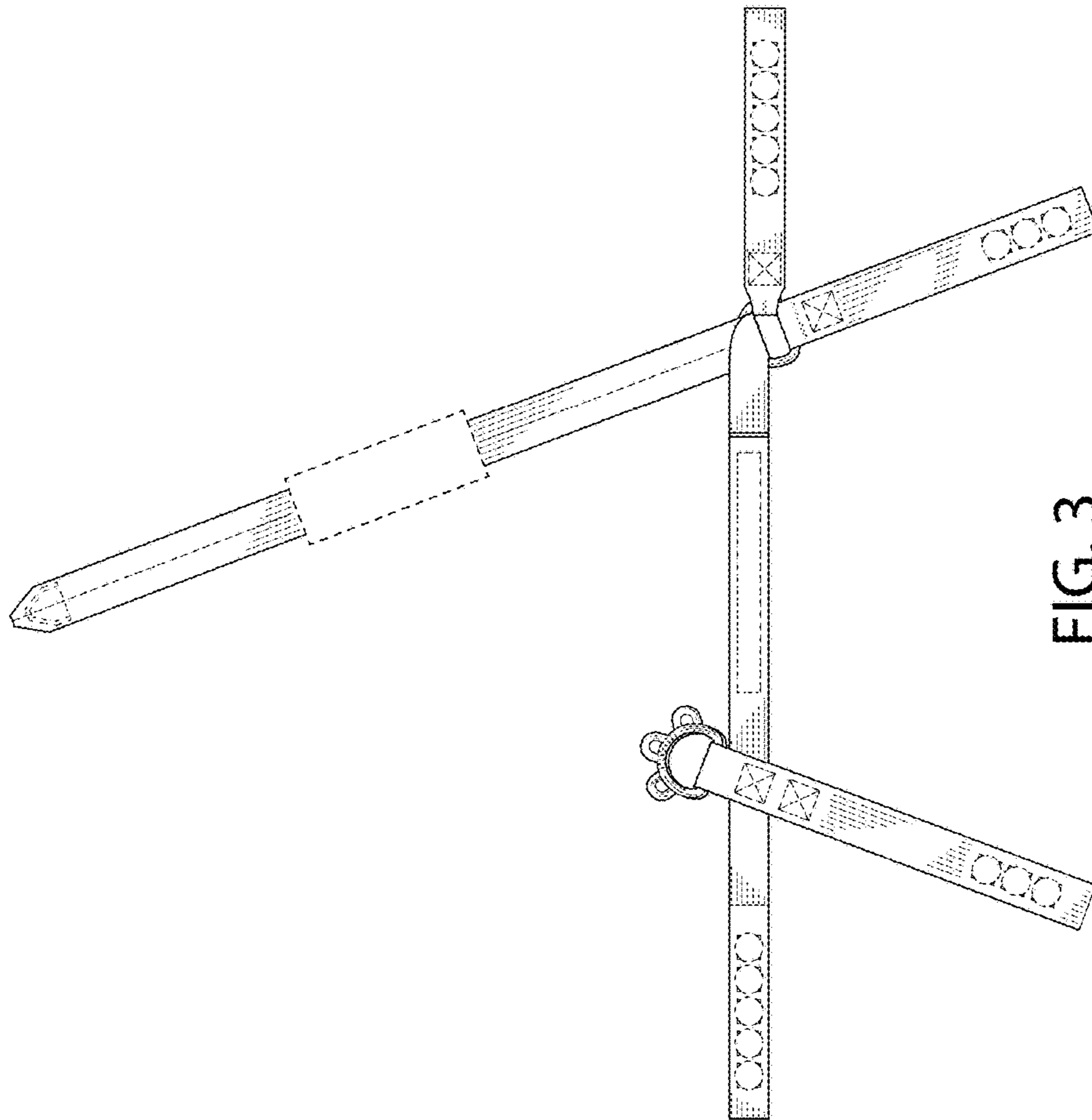


FIG. 3

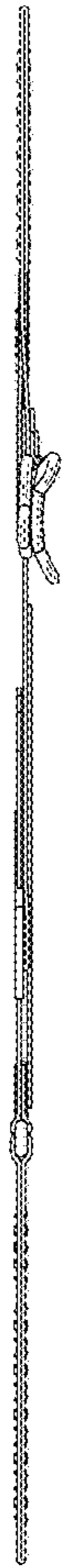


FIG. 4



FIG. 5