



US00D854753S

(12) **United States Design Patent** (10) **Patent No.:** **US D854,753 S**  
**Turkbas** (45) **Date of Patent:** **\*\* Jul. 23, 2019**

(54) **MOUTHGUARD**  
(71) Applicant: **Shock Doctor, Inc.**, Fountain Valley, CA (US)  
(72) Inventor: **Jay N. Turkbas**, Huntington Beach, CA (US)

3,089,487 A 5/1963 Enicks et al.  
3,103,217 A 9/1963 Butler et al.  
3,207,153 A 9/1965 Goldstein  
3,223,085 A 12/1965 Gores et al.  
3,247,844 A 4/1966 Berghash  
3,312,218 A 4/1967 Jacobs  
3,333,582 A 8/1967 Cathcart

(Continued)

(73) Assignee: **Shock Doctor, Inc.**, Fountain Valley, CA (US)

**FOREIGN PATENT DOCUMENTS**

(\*\*) Term: **15 Years**

AU 2013205854 A1 3/2014  
GB 2491183 A 11/2012  
WO 2014093850 A1 6/2014

(21) Appl. No.: **29/629,798**

**OTHER PUBLICATIONS**

(22) Filed: **Dec. 15, 2017**

European Search Report issued in EP Application No. 14757382.6 dated Nov. 2, 2016, 9 pages.

(51) **LOC (11) Cl.** ..... **29-02**

(Continued)

(52) **U.S. Cl.**  
USPC ..... **D29/108**

(58) **Field of Classification Search**  
USPC ..... D29/100, 105, 106, 108, 122;  
D24/108-110.5, 156, 176, 181; 128/859,  
128/860, 861, 862, 857, 846, 848;  
602/902; 433/6, 18, 24, 168.1; 2/9, 424,  
2/425

*Primary Examiner* — Elizabeth J Oswecki  
(74) *Attorney, Agent, or Firm* — Faegre Baker Daniels LLP

CPC . A61F 5/566; A61F 5/58; A63B 71/08; A63B 71/081; A63B 71/085; A63B 2071/085; A63B 2071/088; A61C 7/10; A61C 13/08; A61C 13/081; A61C 13/083; A61C 13/087; A61C 19/066; A61C 5/14; A61B 13/00; A61B 1/24

(57) **CLAIM**

The ornamental design for a mouthguard, as shown and described.

See application file for complete search history.

**DESCRIPTION**

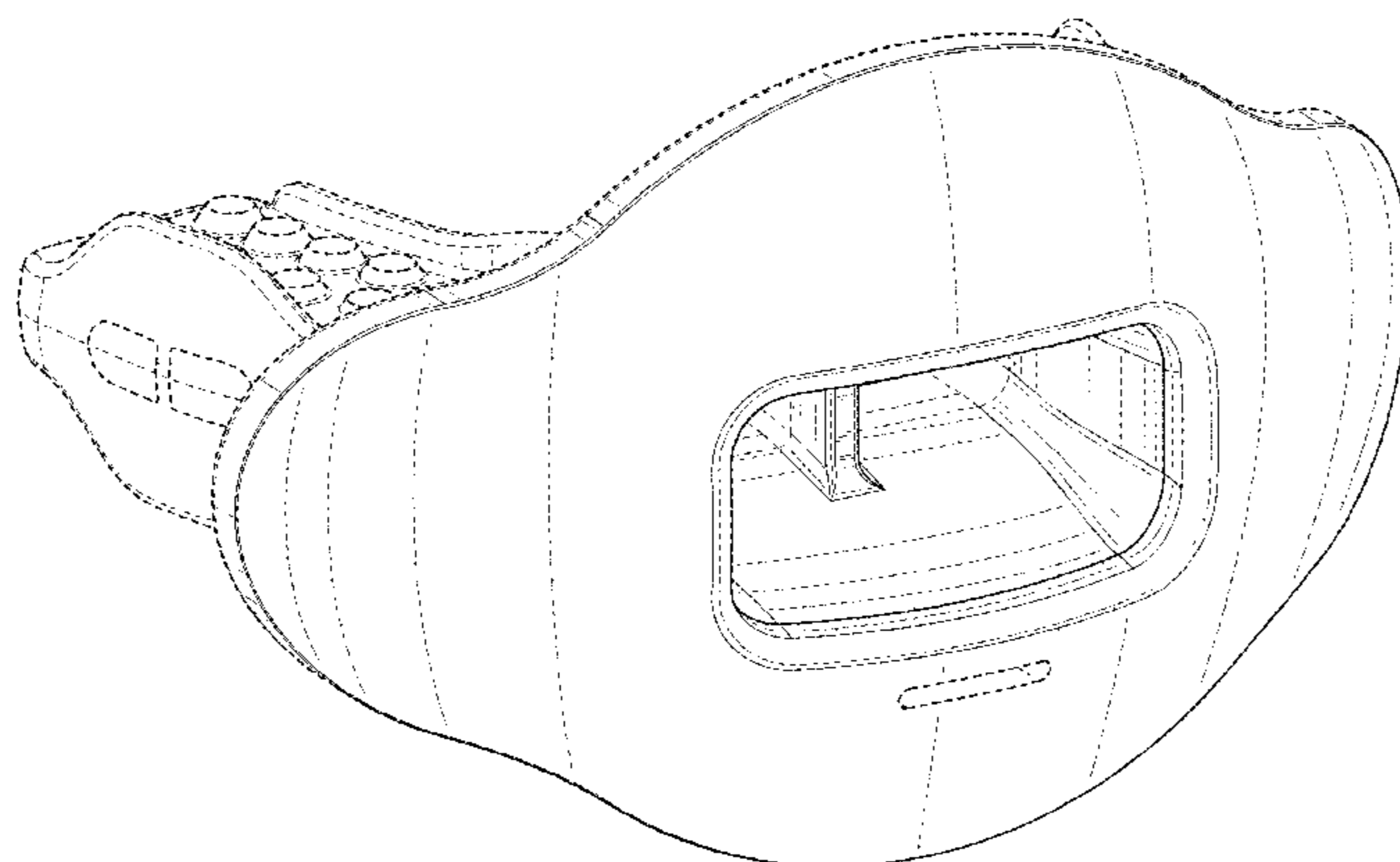
FIG. 1 is a front, left side perspective view of a mouthguard showing my new design;  
FIG. 2 is a front view thereof;  
FIG. 3 is a back view thereof;  
FIG. 4 is a left side view thereof;  
FIG. 5 is a right side view thereof;  
FIG. 6 is a top view thereof;  
FIG. 7 is a bottom view thereof; and,  
FIG. 8 is a rear perspective view thereof.  
Features shown in dashed lines form no part of the claimed design.

(56) **References Cited**

**U.S. PATENT DOCUMENTS**

1,146,264 A 7/1915 Kelly  
1,505,642 A 8/1924 Frank  
1,569,947 A 1/1926 Buttress  
1,720,439 A 7/1929 Richardson  
2,312,171 A 2/1943 Jochum  
2,444,294 A 6/1948 Jones et al.  
2,521,039 A 9/1950 Carpenter  
2,827,899 A 3/1958 Altieri

**1 Claim, 8 Drawing Sheets**



(56)

References Cited

U.S. PATENT DOCUMENTS

D212,848 S 12/1968 Westlund et al.  
 3,457,916 A \* 7/1969 Wolicki ..... A63B 71/085  
 128/862  
 3,505,995 A 4/1970 Greenberg  
 3,692,025 A 9/1972 Greenberg  
 3,768,465 A 10/1973 Helmer  
 3,788,314 A 1/1974 Noreen  
 RE28,667 E 12/1975 Gores  
 D268,962 S 5/1983 Adams et al.  
 4,495,945 A 1/1985 Liegner  
 4,568,280 A 2/1986 Arlin  
 4,610,743 A 9/1986 Salmeen et al.  
 4,977,905 A 12/1990 Kittelson et al.  
 5,031,638 A 7/1991 Castaldi  
 5,063,940 A 11/1991 Adell et al.  
 5,078,367 A 1/1992 Simpson et al.  
 5,117,816 A 6/1992 Shapiro et al.  
 D328,494 S 8/1992 Schwendeman et al.  
 5,165,424 A 11/1992 Silverman  
 5,277,203 A 1/1994 Hays  
 5,293,880 A 3/1994 Levitt  
 5,336,086 A 8/1994 Simmen et al.  
 5,339,832 A 8/1994 Kittelsen et al.  
 5,406,963 A 4/1995 Adell  
 5,566,683 A 10/1996 Thornton  
 5,611,355 A 3/1997 Hilsen  
 5,642,737 A 7/1997 Parks  
 D382,965 S 8/1997 Wagner  
 5,692,523 A 12/1997 Croll et al.  
 5,693,523 A 12/1997 Watanabe et al.  
 5,826,581 A 10/1998 Yoshida  
 5,842,860 A 12/1998 Funt  
 D414,281 S 9/1999 Sassenberg  
 5,970,981 A 10/1999 Ochel  
 6,036,487 A 3/2000 Westerman  
 6,068,475 A 5/2000 Stoyka, Jr.  
 6,082,363 A 7/2000 Washburn  
 D452,011 S 12/2001 Redhage  
 6,405,729 B1 6/2002 Thornton  
 6,584,978 B1 7/2003 Brett et al.  
 6,691,710 B2 2/2004 Kittelsen et al.  
 D500,895 S \* 1/2005 Manzo ..... D29/108  
 6,978,786 B2 12/2005 Sabbagh  
 D523,994 S \* 6/2006 Manzo ..... D29/108  
 D526,095 S \* 8/2006 Manzo ..... D29/108  
 D530,863 S 10/2006 Manzo et al.  
 D532,559 S \* 11/2006 Manzo ..... D29/108  
 D537,987 S \* 3/2007 Manzo ..... D29/108  
 D541,481 S 4/2007 Farrell  
 7,210,483 B1 5/2007 Lesniak et al.  
 D548,403 S \* 8/2007 Manzo ..... D29/108  
 7,299,804 B2 11/2007 Kittelsen et al.  
 7,658,193 B2 2/2010 Lesniak  
 D614,304 S 4/2010 Jansheski  
 D615,709 S \* 5/2010 Manzo ..... D29/108  
 D616,152 S \* 5/2010 Manzo ..... D29/108  
 D618,399 S \* 6/2010 Manzo ..... D29/108  
 7,775,214 B1 8/2010 Lesniak et al.  
 D623,357 S \* 9/2010 Manzo ..... D29/108  
 D626,292 S \* 10/2010 Farrell ..... D29/108  
 D627,107 S \* 11/2010 Manzo ..... D29/108  
 D630,382 S \* 1/2011 Manzo ..... D29/108  
 D630,860 S 1/2011 Sichel  
 D634,480 S \* 3/2011 Manzo ..... D29/108  
 7,954,496 B2 6/2011 Jansheski et al.  
 D641,478 S 7/2011 Belvedere et al.  
 D642,277 S \* 7/2011 Farrell ..... D24/181  
 D644,791 S \* 9/2011 Petrocelli ..... D29/108  
 8,033,392 B1 10/2011 Gehner et al.  
 D648,900 S \* 11/2011 Manzo ..... D29/108  
 D652,575 S \* 1/2012 Farrell ..... D29/108  
 D652,576 S \* 1/2012 Farrell ..... D29/108  
 D654,595 S \* 2/2012 Farrell ..... D24/181  
 8,116,854 B2 2/2012 Hart et al.  
 D658,813 S 5/2012 Manzo

D663,485 S 7/2012 Turkbass et al.  
 D663,486 S 7/2012 Turkbass et al.  
 8,235,052 B2 8/2012 Maurello  
 D688,832 S 8/2013 Polk, III  
 D693,966 S 11/2013 Hanson  
 8,607,798 B2 12/2013 Turkbass et al.  
 D714,066 S 9/2014 Thuma et al.  
 D727,571 S 4/2015 Brett et al.  
 D734,556 S \* 7/2015 Brett ..... D24/181  
 D752,295 S \* 3/2016 Lovat ..... D29/108  
 D760,889 S 7/2016 Evans et al.  
 D765,919 S \* 9/2016 Croll ..... D29/108  
 D782,743 S \* 3/2017 Engel ..... D29/108  
 D797,379 S 9/2017 Patel et al.  
 D804,829 S 12/2017 Austin  
 D830,640 S \* 10/2018 Supple ..... D29/108  
 D833,621 S \* 11/2018 Tolentino ..... D24/181  
 D833,681 S \* 11/2018 Tolentino ..... D29/108  
 2003/0019497 A1 \* 1/2003 Farrell ..... A61C 7/08  
 128/861  
 2003/0075184 A1 4/2003 Persichetti  
 2003/0136416 A1 7/2003 White  
 2003/0205234 A1 11/2003 Bardach et al.  
 2004/0110111 A1 6/2004 Wasylucha  
 2004/0146836 A1 7/2004 Andersen  
 2004/0146837 A1 7/2004 Andersen  
 2004/0154626 A1 8/2004 Washburn et al.  
 2005/0019524 A1 1/2005 Kershaw  
 2006/0084024 A1 \* 4/2006 Farrell ..... A61C 7/08  
 433/6  
 2007/0084471 A1 4/2007 Napoli et al.  
 2007/0151567 A1 7/2007 Maurello  
 2007/0151568 A1 7/2007 Maurello  
 2007/0235039 A1 10/2007 Gottsch  
 2007/0254256 A1 \* 11/2007 Farrell ..... A61C 7/08  
 433/6  
 2008/0113143 A1 5/2008 Taylor  
 2008/0138766 A1 \* 6/2008 Jansheski ..... A61C 7/08  
 433/140  
 2009/0038624 A1 2/2009 Akervall et al.  
 2010/0051038 A1 \* 3/2010 Quigless ..... A63B 71/085  
 128/861  
 2010/0055233 A1 3/2010 MacInnis et al.  
 2010/0304338 A1 12/2010 Cramer et al.  
 2011/0114100 A1 5/2011 Alvarez et al.  
 2011/0186055 A1 8/2011 Makkar et al.  
 2011/0230587 A1 9/2011 MacInnis et al.  
 2012/0017922 A1 1/2012 Hirshberg  
 2012/0085354 A1 4/2012 Polk, III  
 2012/0090625 A1 4/2012 Evans et al.  
 2012/0111343 A1 5/2012 Turkbass et al.  
 2012/0174932 A1 7/2012 Wilson  
 2013/0052613 A1 2/2013 Chetiar et al.  
 2013/0068237 A1 3/2013 Herman et al.  
 2013/0074850 A1 3/2013 Lenart  
 2013/0087157 A1 4/2013 Hawkins  
 2013/0104913 A1 5/2013 Evans et al.  
 2014/0090655 A1 4/2014 Robinson  
 2014/0093836 A1 4/2014 Wolpo  
 2014/0166024 A1 6/2014 Davidson et al.  
 2014/0238416 A1 8/2014 Lin  
 2014/0238417 A1 8/2014 Turkbass  
 2014/0238418 A1 8/2014 Turkbass  
 2014/0261465 A1 9/2014 Turkbass  
 2014/0345626 A1 11/2014 Brett et al.  
 2014/0352704 A1 12/2014 Farrell  
 2015/0209645 A1 \* 7/2015 Zents ..... A63B 71/085  
 128/861  
 2016/0001160 A1 1/2016 Engel  
 2017/0172717 A1 6/2017 Deng et al.  
 2018/0014912 A1 1/2018 Radmand

OTHER PUBLICATIONS

Extended European Search Report issued in EP application No. 14756802.6, dated Oct. 31, 2016, 10 pages.  
 Gel Max Mouthguard, earliest comment Aug. 26, 2015, [online], [site visited Apr. 13, 2018]. Retrieved from url:https://www.



(56)

**References Cited**

OTHER PUBLICATIONS

shockdoctor.com/gel-max-mouthguard (Year: 2015).  
Gel Max Power Mouthguard, earliest comment Oct. 9, 2017, [online], [site visited Apr. 13, 2018]. Retrieved from url: <https://www.shockdoctor.com/gel-max-power-mouthguard> (Year: 2017).  
International Preliminary Report on Patentability issued in PCT/US2014/018755, dated Sep. 1, 2015, 5 pages.  
International Preliminary Report on Patentability issued in PCT/US2014/018756, dated Sep. 11, 2015, 8 pages.  
International Search Report and Written Opinion issued in PCT/US2014/018755, dated May 22, 2014, 8 pages.  
International Search Report and Written Opinion issued in PCT/US2014/018756, dated Jun. 3, 2014, 11 pages.  
International Search Report and Written Opinion issued in PCT/US2016/054693, dated Jul. 24, 2017, 17 pages.  
PCT Invitation to Pay Additional Fees issued in PCT/US2016/054693, dated May 23, 2017, 14 pages.  
Shock Doctor Gel Max Mouthguard, [www.shockdoctor.com/gel-max-mouthguard](http://www.shockdoctor.com/gel-max-mouthguard), accessed Jan. 24, 2017, at least available on Apr. 10, 2016.

Shock Doctor Max AirFlow Football Mouthguard (2016 Version), [www.shockdoctor.com/max-airflow-mouthguard-2016](http://www.shockdoctor.com/max-airflow-mouthguard-2016), accessed May 9, 2018, at least available in Apr. 2016.

Shock Doctor SuperFit Mouthguard, [www.shockdoctor.com/supertit-mouthguard](http://www.shockdoctor.com/supertit-mouthguard), accessed Jan. 24, 2017, at least available on Apr. 10, 2016.

Shock Doctor Ultra Double Braces Mouthguard, [www.shockdoctor.com/ultra-double-braces-mouthguard](http://www.shockdoctor.com/ultra-double-braces-mouthguard), accessed Jan. 24, 2017, at least available on Apr. 10, 2016.

Shock Doctor Ultra2 STC Mouthguard, [www.shockdoctor.com/ultra2-stc-mouthguard](http://www.shockdoctor.com/ultra2-stc-mouthguard), accessed Jan. 24, 2017, at least available on Apr. 10, 2016.

SuperFit Basketball Mouthguard, earliest comment Jul. 17, 2017, [online], [site visited Apr. 13, 2018]. Retrieved from url: <https://www.shockdoctor.com/superfit-basketball-mouthguard-9200> (Year: 2017).

U.S. Appl. No. 29/610,727 entitled Mouthguard, filed Jul. 14, 2017.

U.S. Appl. No. 29/610,733 entitled Mouthguard, filed Jul. 14, 2017.

U.S. Appl. No. 29/629,806 entitled Mouthguard, filed Dec. 15, 2017.

\* cited by examiner

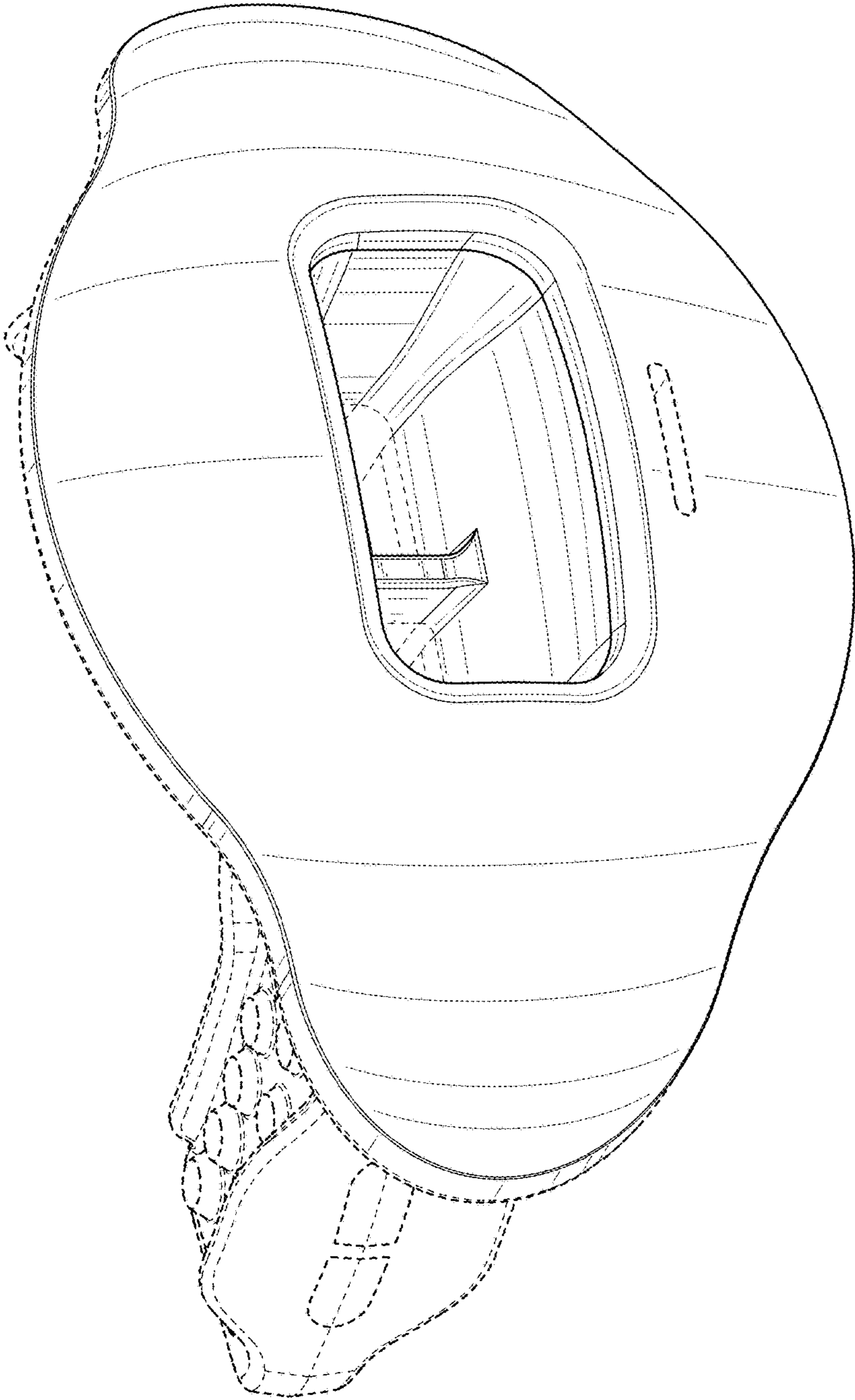


FIG. 1

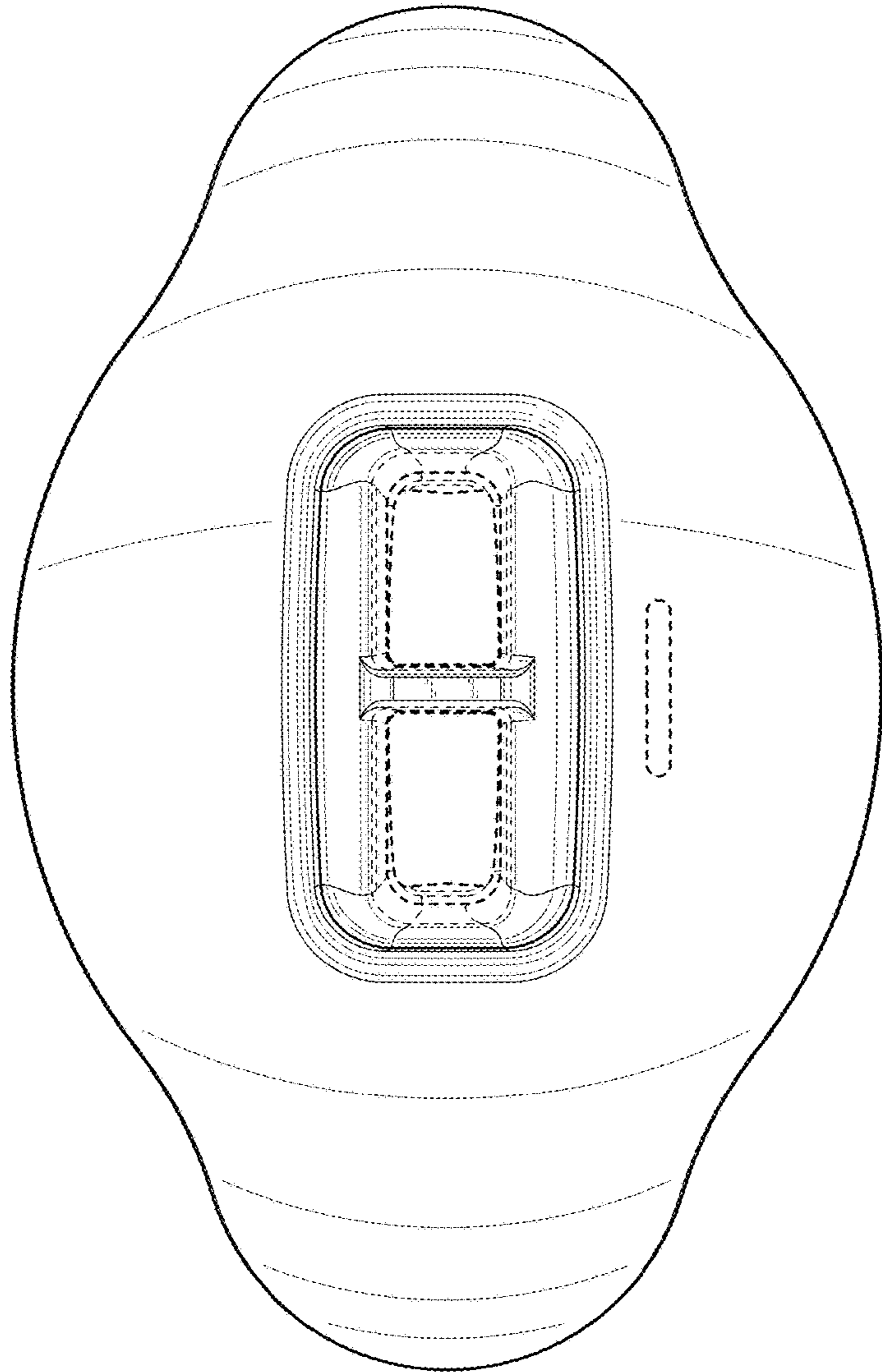


FIG. 2

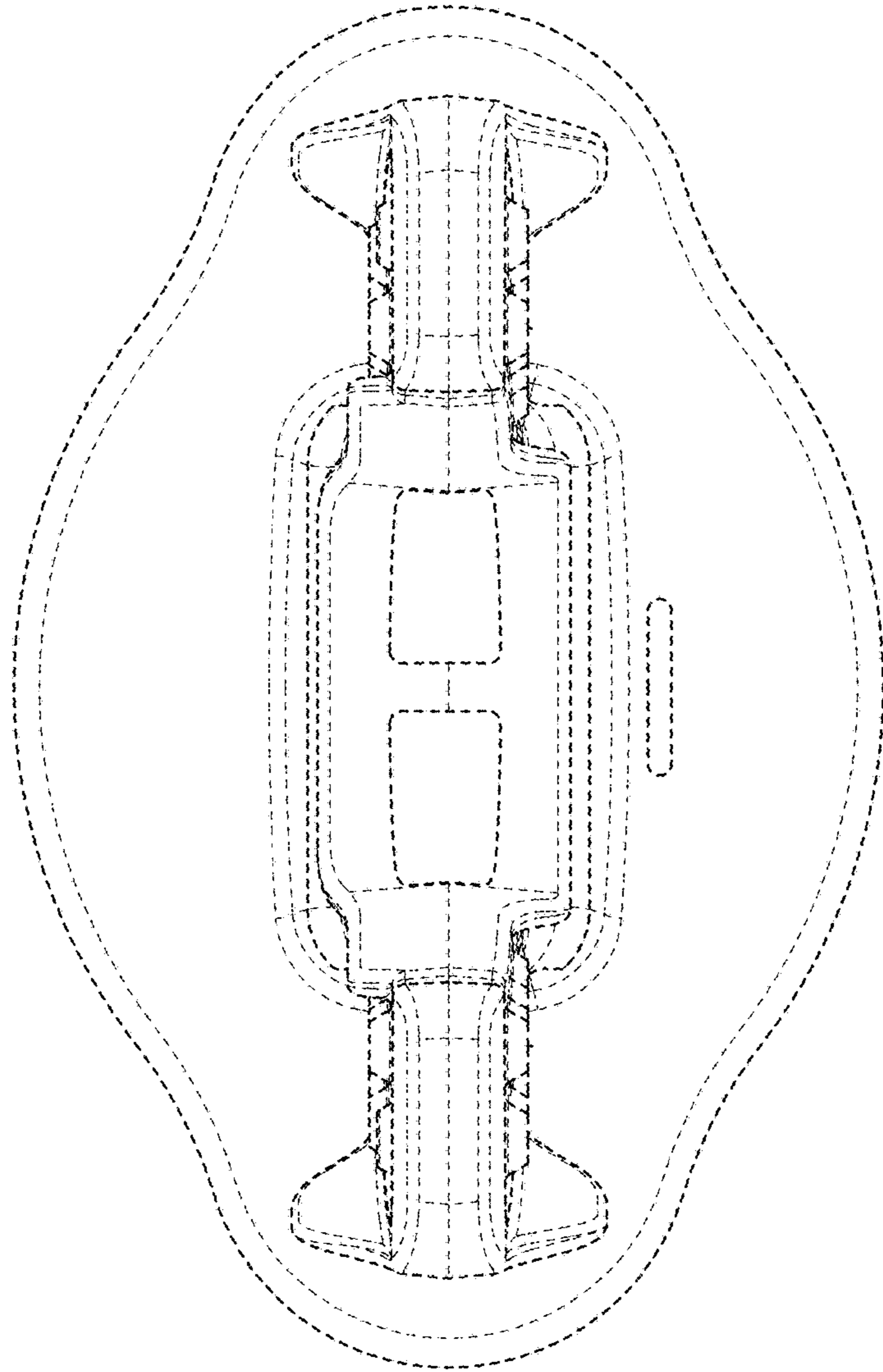


FIG. 3

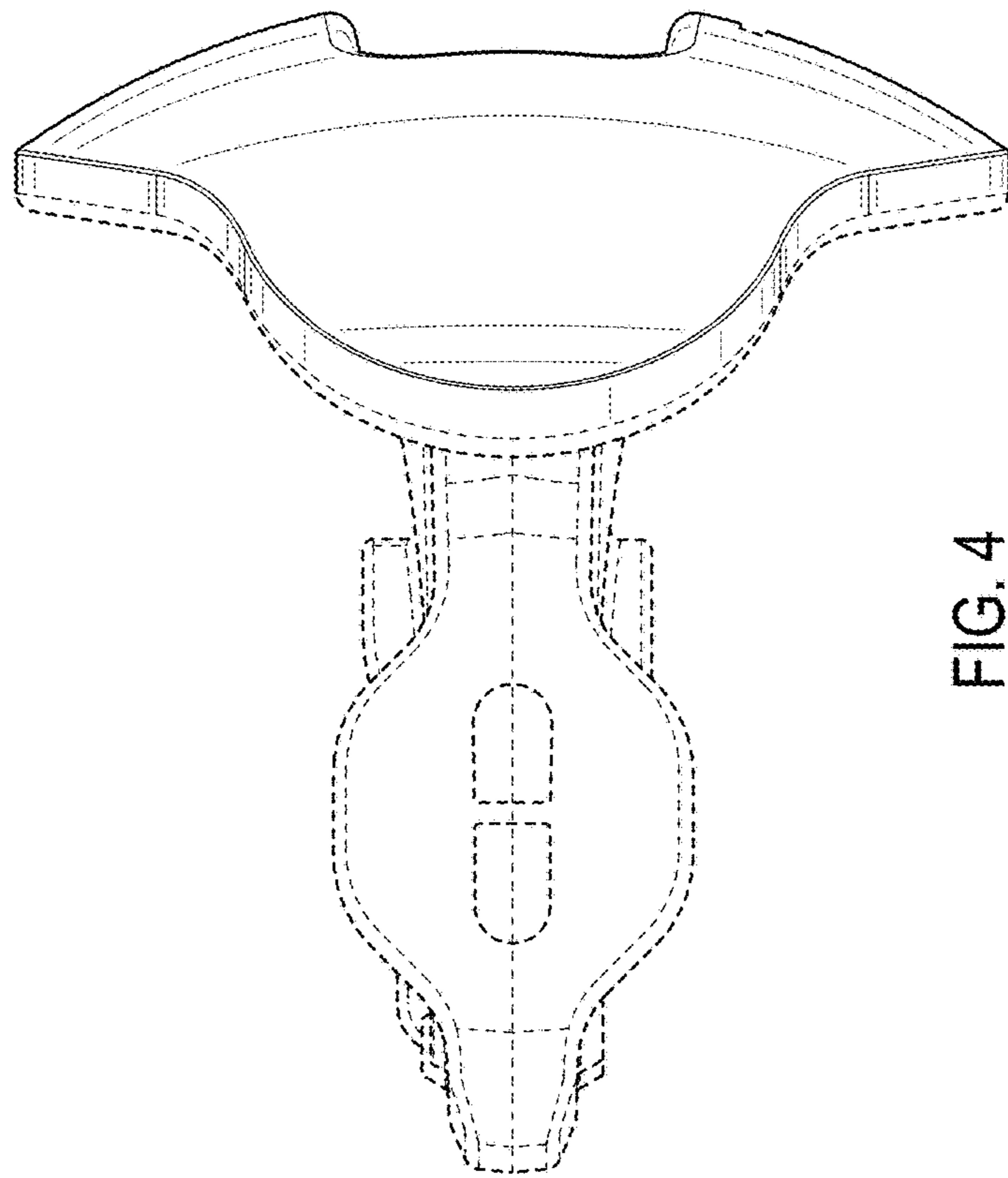


FIG. 4

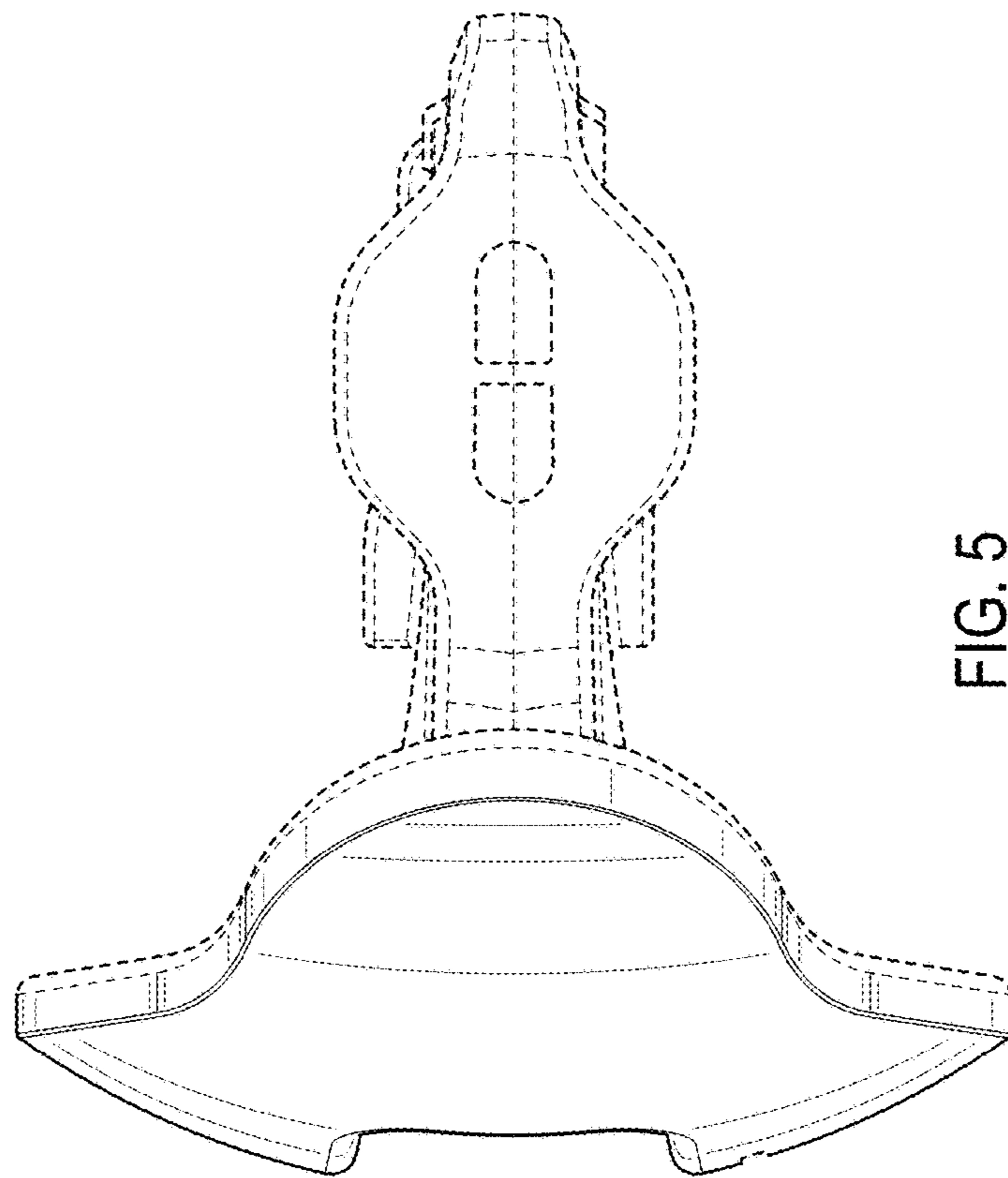


FIG. 5



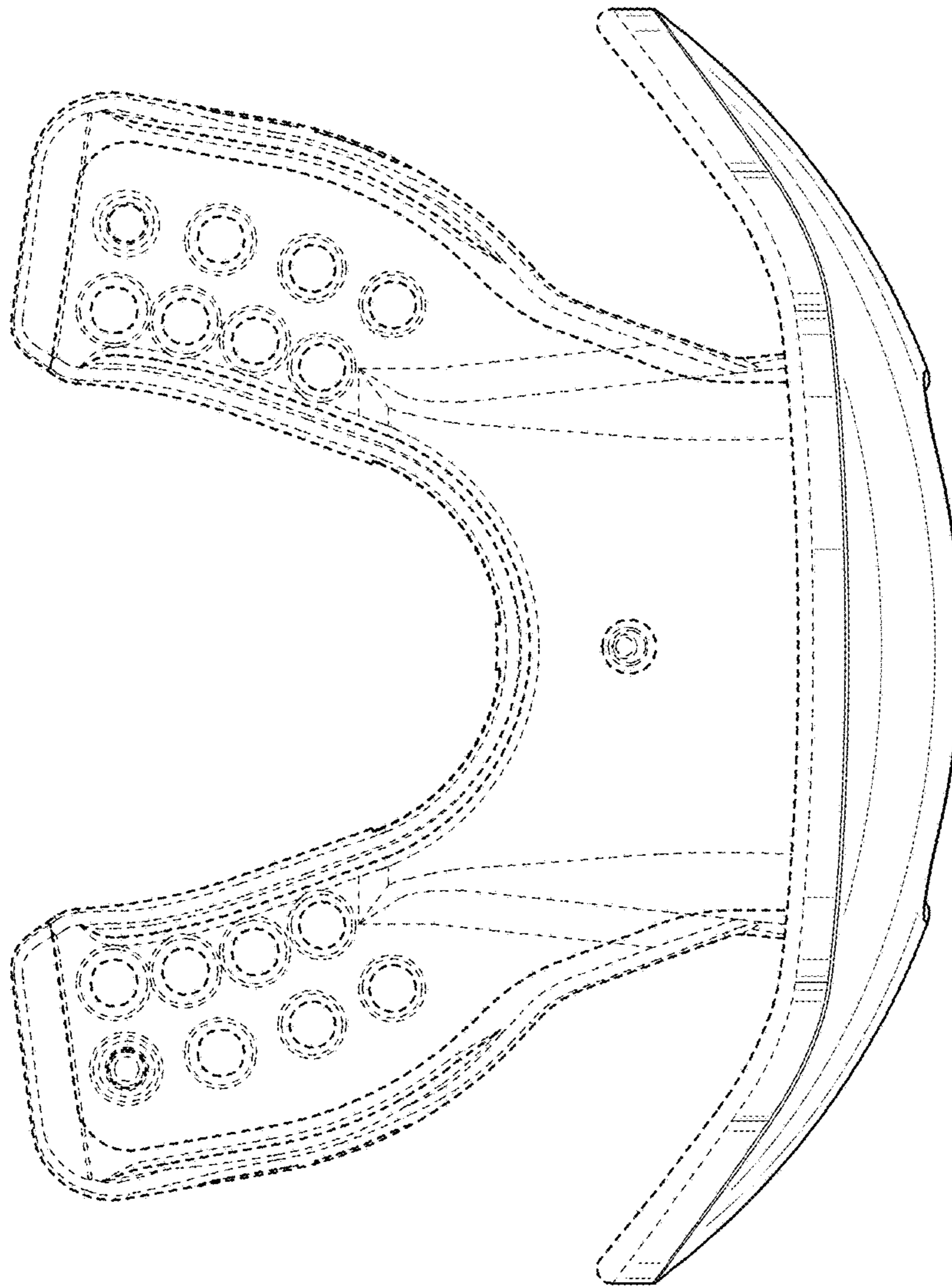


FIG. 6

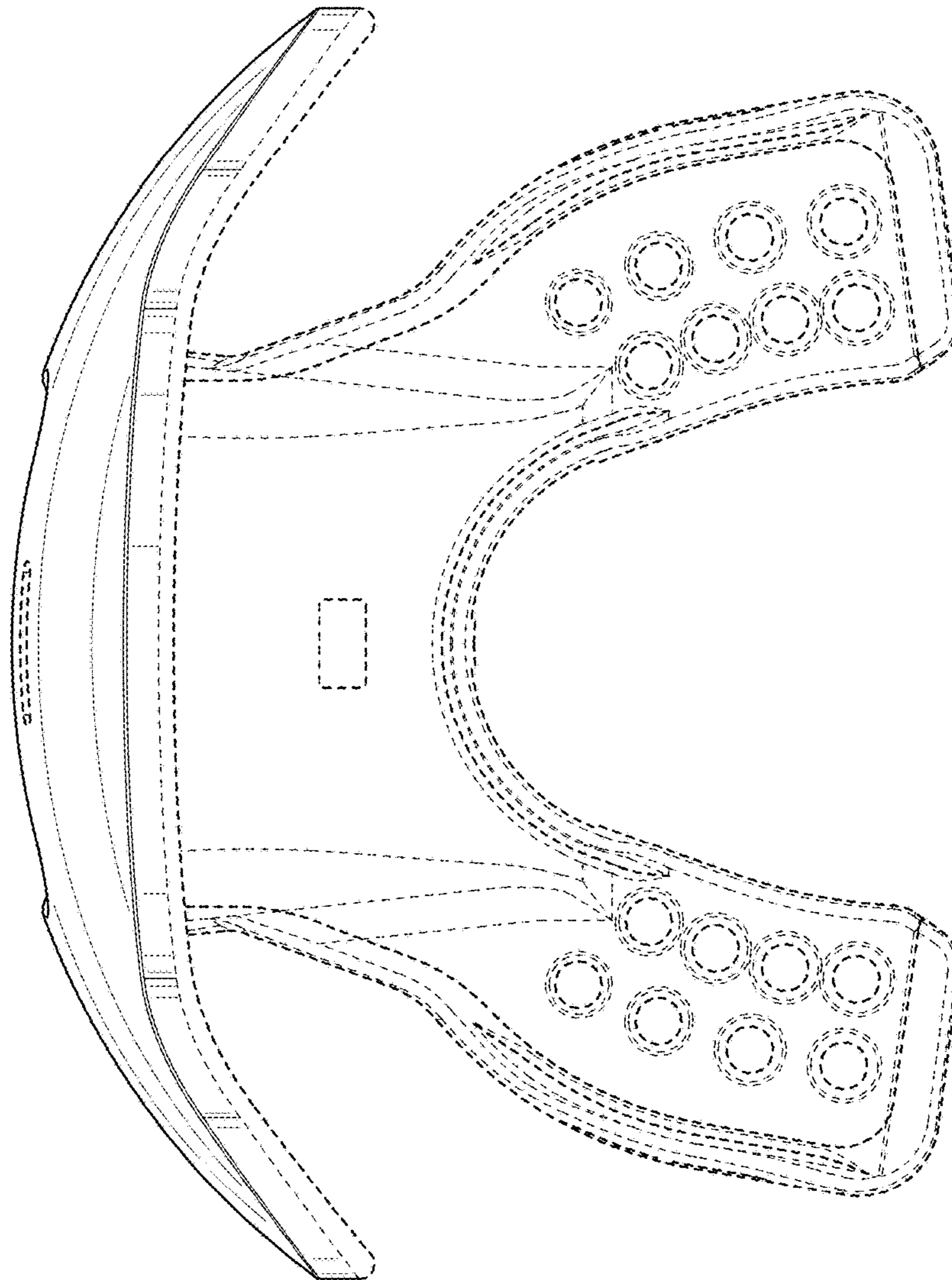


FIG. 7

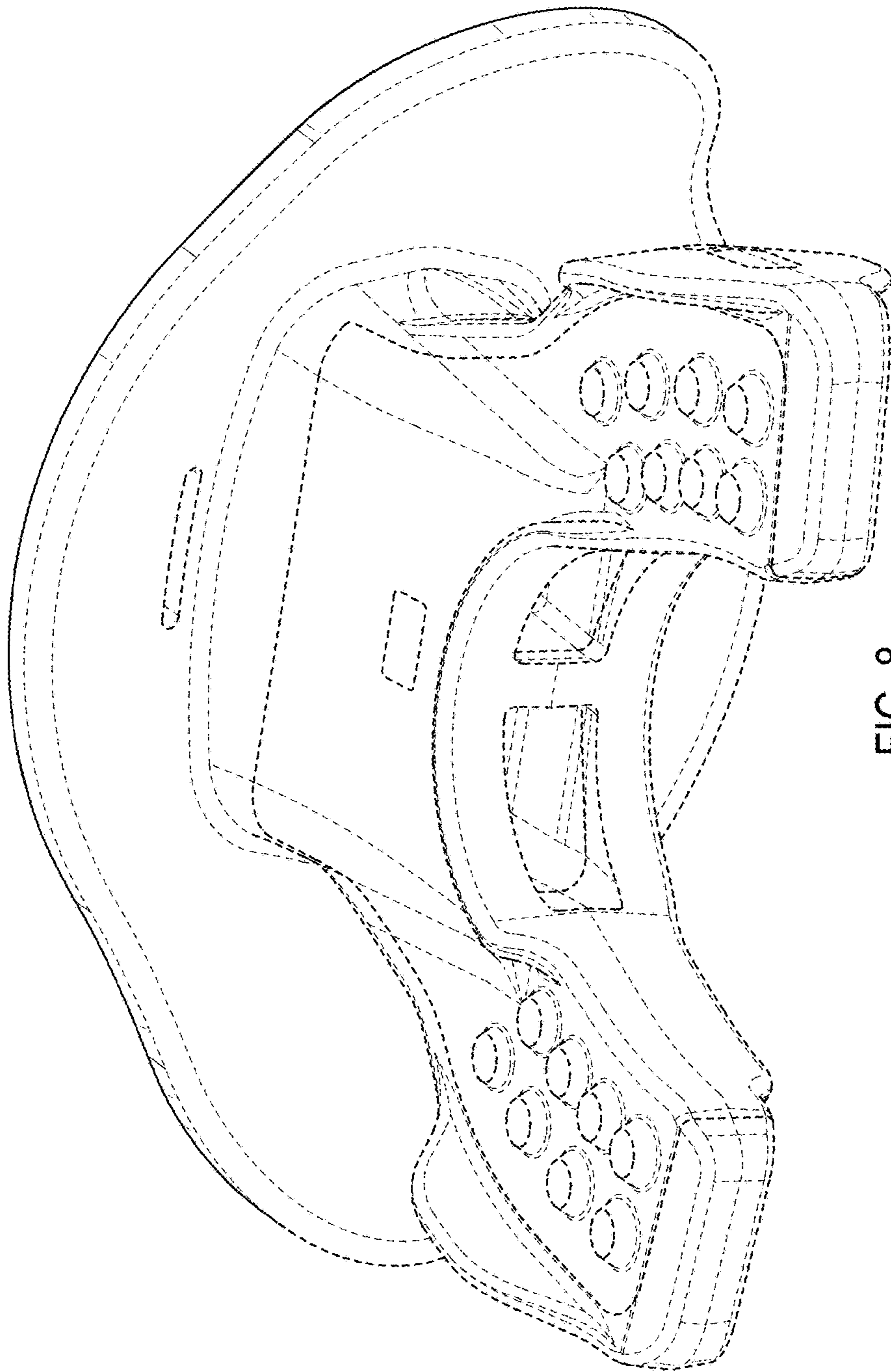


FIG. 8