



US00D854749S

(12) **United States Design Patent**
Lushefski

(10) **Patent No.:** **US D854,749 S**
(45) **Date of Patent:** **** Jul. 23, 2019**

(54) **OVOID-SHAPED COSMETIC**

(71) Applicant: **Erin Lushefski**, New York, NY (US)

(72) Inventor: **Erin Lushefski**, New York, NY (US)

(**) Term: **15 Years**

(21) Appl. No.: **29/591,698**

(22) Filed: **Jan. 23, 2017**

(51) **LOC (11) Cl.** **28-03**

(52) **U.S. Cl.**

USPC **D28/82**

(58) **Field of Classification Search**

USPC D28/7, 77, 82, 85-89; D9/432, 434, 504,
D9/519, 529, 549, 574, 715, 725-726;
220/669, 671; 206/385, 581, 823;
132/314

CPC B65D 51/245; B65D 25/005; B65D 25/00;
B65D 3/00; B65D 1/00; A45D 40/00;
A45D 40/0068; A45D 40/24; A45D
33/006; A45D 33/24

See application file for complete search history.

(56) **References Cited**

U.S. PATENT DOCUMENTS

2,696,323	A *	12/1954	Sanderson	B65D 7/045 220/4.04
5,025,817	A *	6/1991	Wen	A45D 33/006 132/294
5,131,183	A *	7/1992	Thayer	A01K 91/053 43/41
5,287,979	A *	2/1994	Bourgeois	A47G 19/28 206/509
D438,459	S *	3/2001	Holthaus	D9/728
6,237,788	B1 *	5/2001	Shuen	A61L 9/12 206/457
D493,721	S *	8/2004	Puigbo	D28/76
D532,935	S *	11/2006	Kostow	D28/76
D610,458	S *	2/2010	Martin	D9/414

D621,547	S *	8/2010	Wirgler	D28/82
D630,250	S *	1/2011	Yoon	D19/66
D631,204	S *	1/2011	Dubitsky	D28/82
D638,714	S *	5/2011	de Cleir	D9/529
8,096,308	B2 *	1/2012	Ramos	A45D 40/24 132/294
8,201,565	B2 *	6/2012	Fernandez	A45D 29/05 132/73.6
D685,073	S *	6/2013	Gordon	D23/366
8,511,472	B2 *	8/2013	Dupuis	B65D 23/0878 206/497

(Continued)

FOREIGN PATENT DOCUMENTS

JP	D1101228	*	2/2001
RU	00081164	*	3/2012
TR	092420-0001	*	11/2016

Primary Examiner — Shannon W Morgana

Assistant Examiner — Altaira J Swangin

(74) *Attorney, Agent, or Firm* — McCarter & English, LLP

(57) **CLAIM**

The ornamental design for an ovoid-shaped cosmetic container, as shown and described.

DESCRIPTION

FIG. 1 is a perspective view of an ovoid-shaped cosmetic container showing the design;

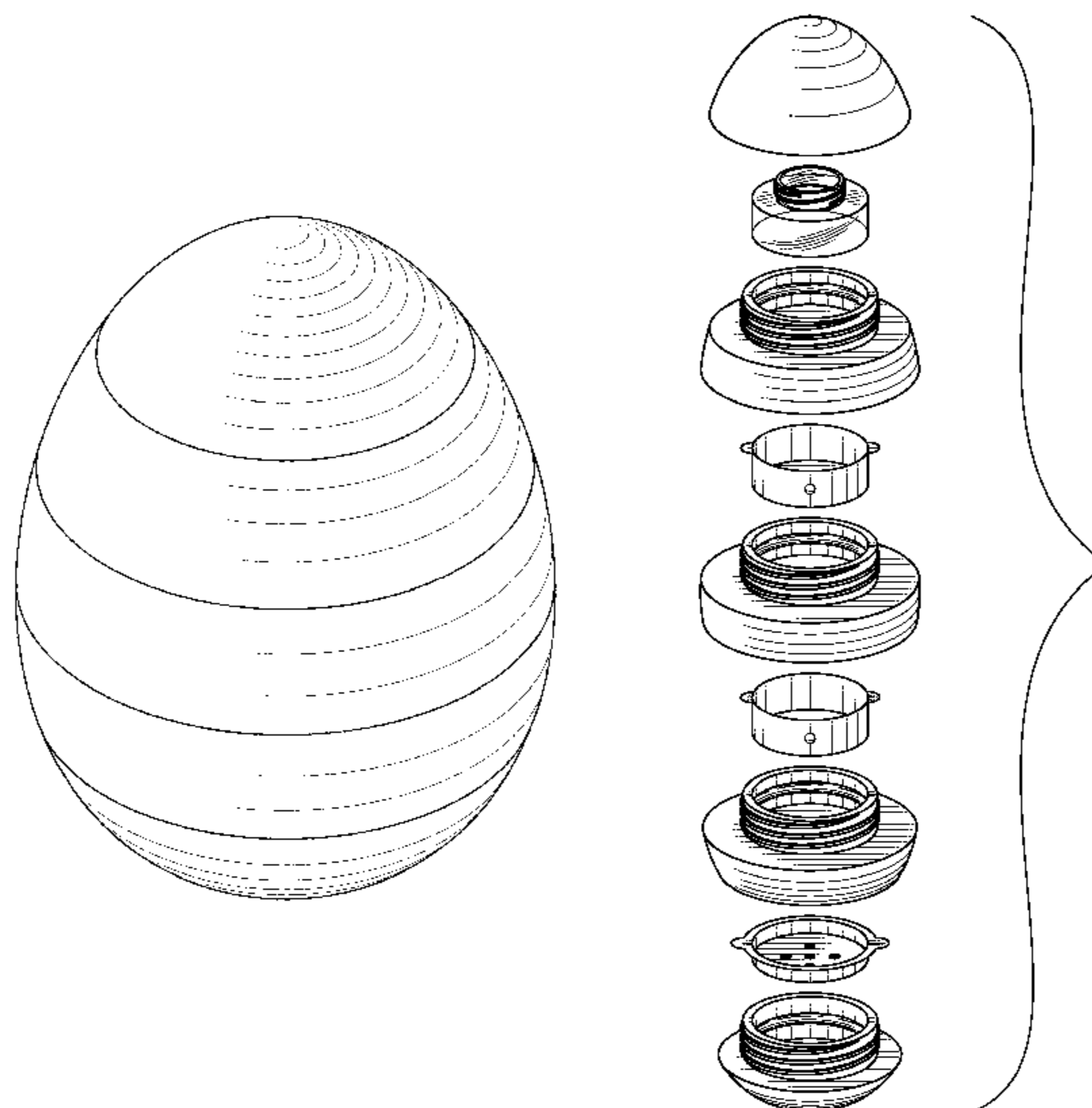
FIG. 2 is a top plan view of the ovoid-shaped cosmetic container of FIG. 1;

FIG. 3 is a side elevation view of the ovoid-shaped cosmetic container of FIG. 1;

FIG. 4 is a bottom plan of the ovoid-shaped cosmetic container of FIG. 1; and,

FIG. 5 is an exploded perspective view of the ovoid-shaped cosmetic container of FIG. 1 in order to show aspects of the design that are otherwise not apparent.

1 Claim, 3 Drawing Sheets



(56)

References Cited

U.S. PATENT DOCUMENTS

8,603,557 B2 *	12/2013	de Cleir	A23L 2/385	2002/0008105 A1 *	1/2002	Herbstreit	A01K 67/033
				215/11.1					220/4.25
D735,414 S *	7/2015	Schlatter	D28/85	2007/0017915 A1 *	1/2007	Weder	B65D 11/02
D740,029 S *	10/2015	Otto	D3/302					220/4.21
D740,493 S *	10/2015	David	D28/89	2007/0108092 A1 *	5/2007	Minuto	B65D 11/02
D765,512 S *	9/2016	Joulia	D28/7					206/581
D771,873 S *	11/2016	Teller	D28/82	2011/0056866 A1 *	3/2011	Thiebault	A45D 33/26
D788,586 S *	6/2017	Molinari	D9/504					206/581
D812,481 S *	3/2018	Zhang	D9/529	2014/0138273 A1 *	5/2014	Glass	A45C 11/182
9,999,199 B1 *	6/2018	Dadalto	A01K 15/021					206/457
10,039,366 B1 *	8/2018	Facer	A45D 40/24	2014/0305466 A1 *	10/2014	Silva	A45D 44/005
10,159,324 B2 *	12/2018	Dinata	A45D 33/008					132/314
10,172,432 B2 *	1/2019	Paquet	A45D 40/00	2015/0257558 A1 *	9/2015	May	A47G 19/2272
D840,591 S *	2/2019	Villarreal	D28/7					220/669
D841,252 S *	2/2019	Teller	D28/85	2016/0325914 A1 *	11/2016	Glass	B65D 81/365
D841,890 S *	2/2019	McGraw	D28/87	2018/0206614 A1 *	7/2018	Lushefski	A45D 40/24
10,206,482 B2 *	2/2019	Sugita	A45D 33/008	2018/0310690 A1 *	11/2018	Wojcik	A45D 40/222
					2019/0053605 A1 *	2/2019	Facer	A45D 40/24

* cited by examiner

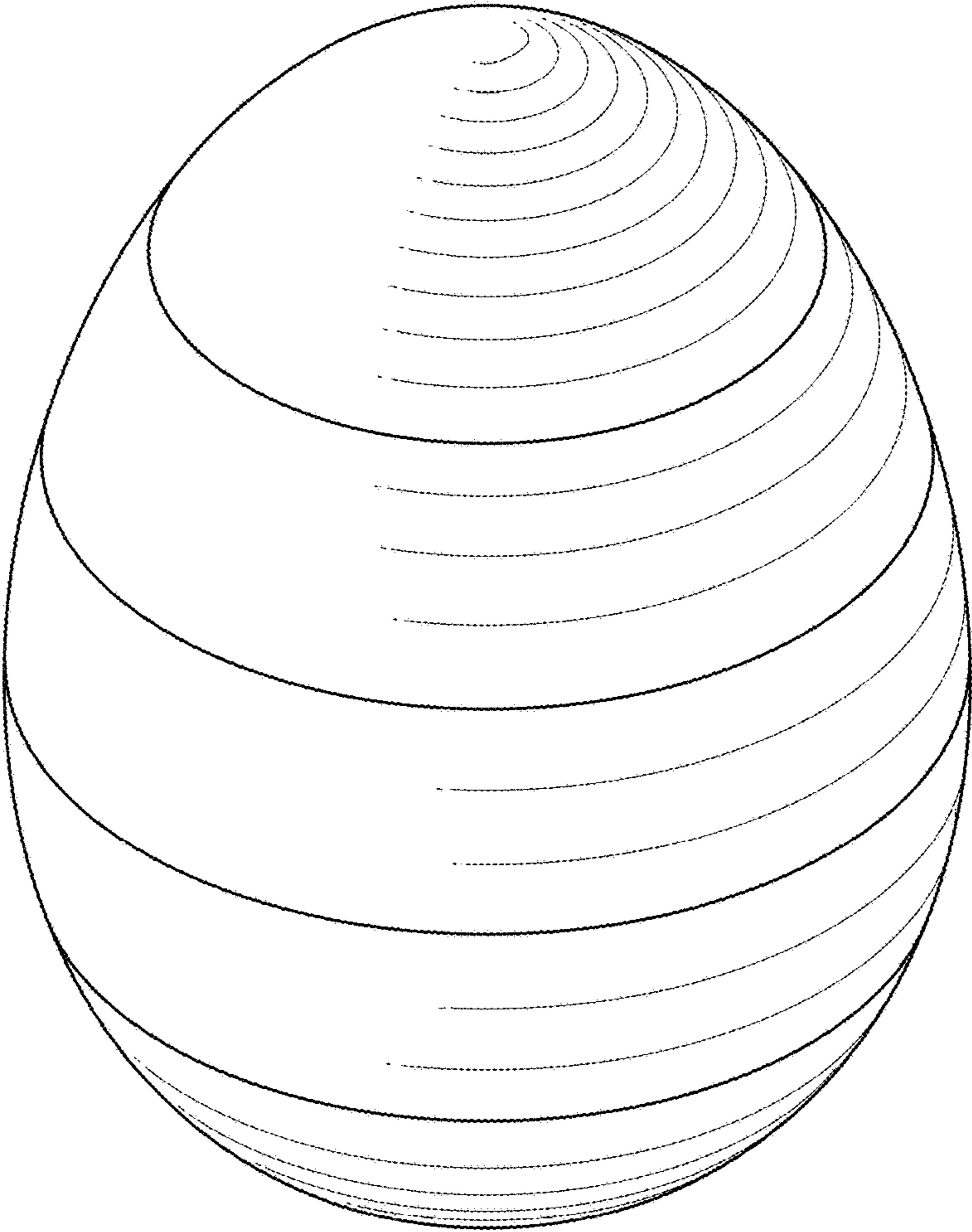


FIG. 1

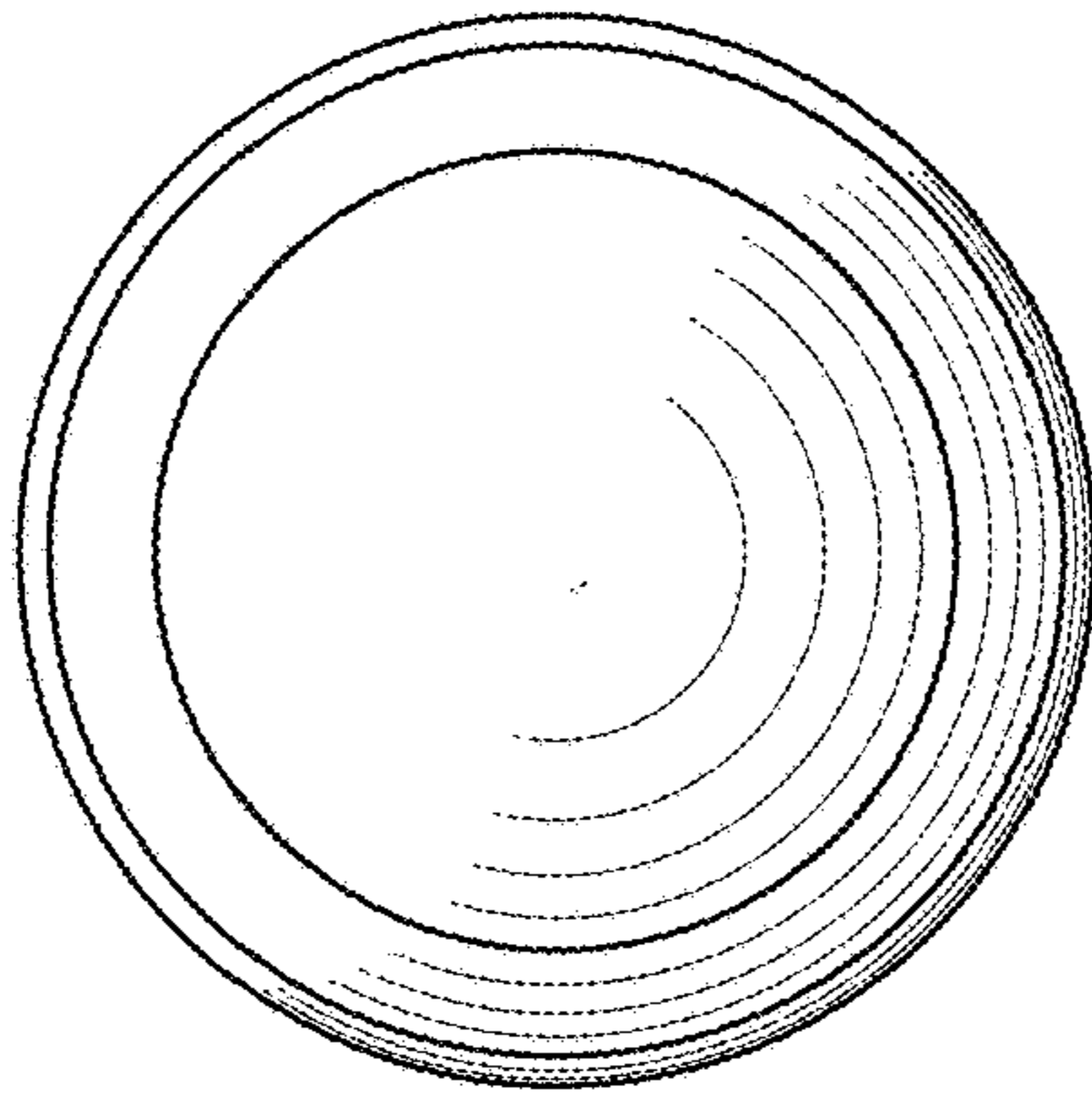


FIG. 2

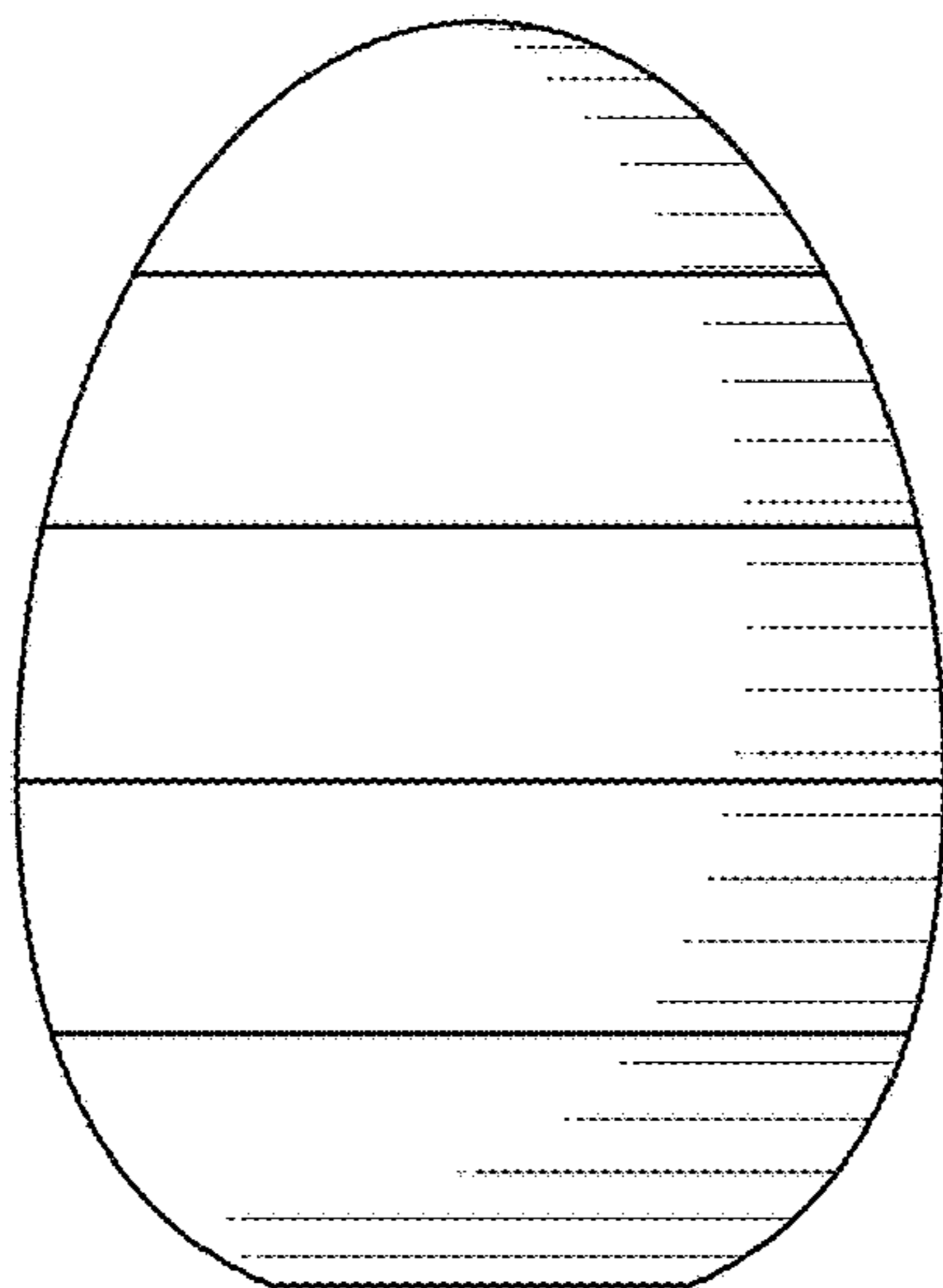


FIG. 3

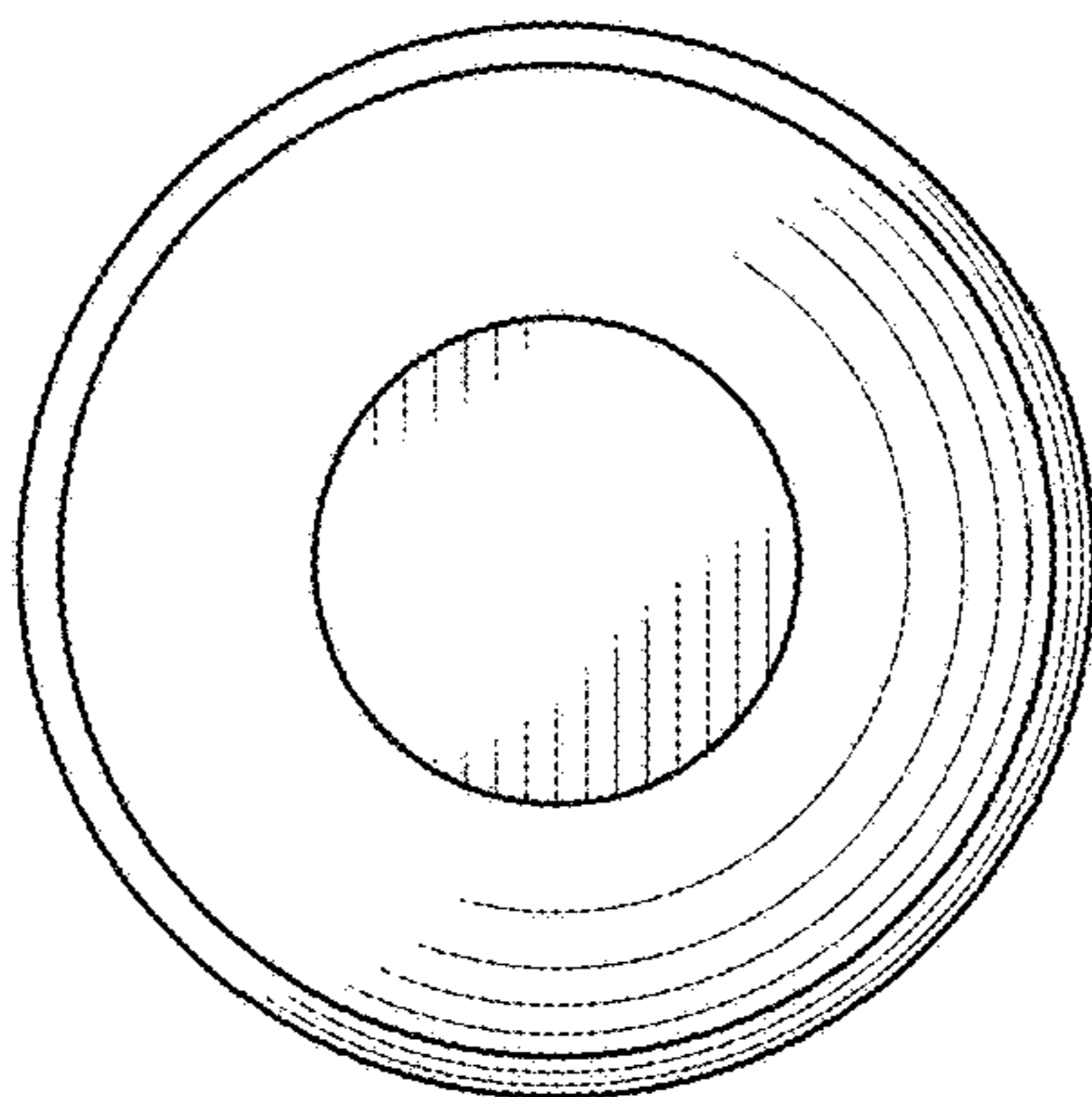


FIG. 4

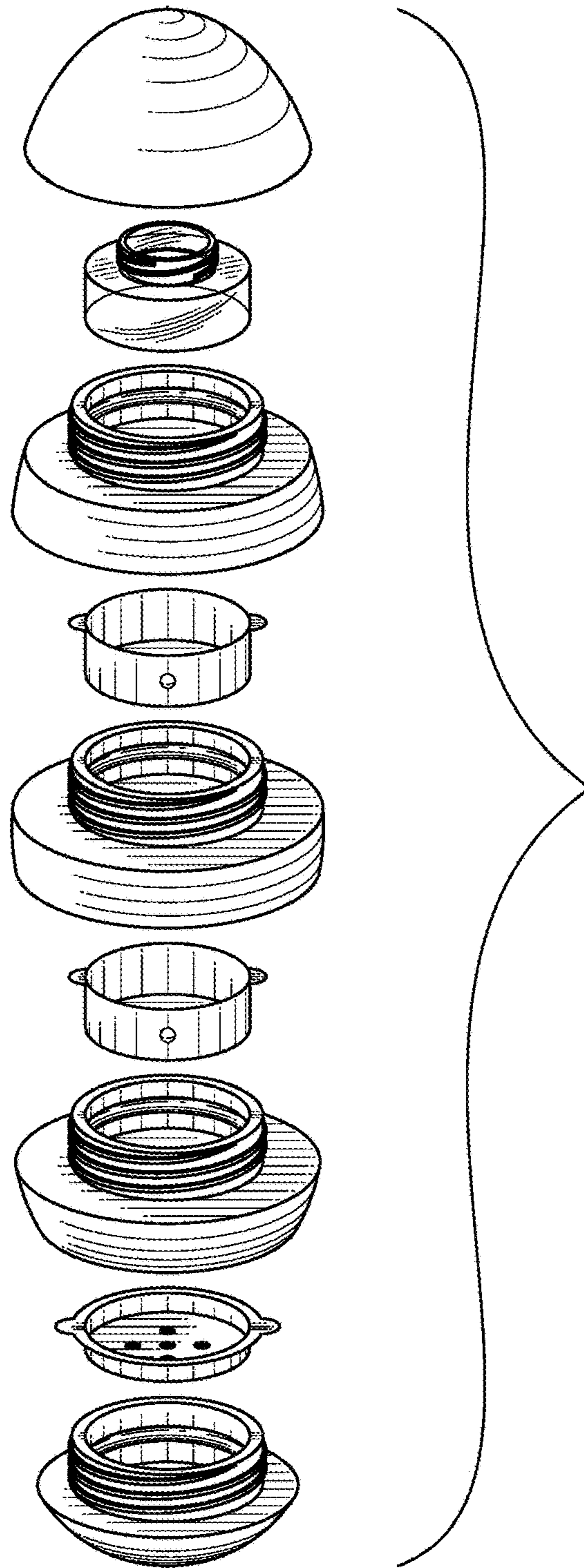


FIG. 5