



US00D854748S

(12) **United States Design Patent** (10) **Patent No.:** **US D854,748 S**
Scott et al. (45) **Date of Patent:** **** Jul. 23, 2019**

(54) **MASCARA CONTAINER**
(71) Applicant: **Noxell Corporation**, Hunt Valley, MD (US)
(72) Inventors: **Paul Robert Scott**, Berkshire (GB); **Gordon Gerald Guay**, Chelmsford, MA (US); **Graham Hufton**, New York, NY (US); **Will Davis**, Bath (GB); **Lemis Tarajano**, Cockeysville, MD (US)
(73) Assignee: **Noxell Corporation**, Hunt Valley, MD (US)

D617,051 S * 6/2010 Pires D28/76
D663,483 S * 7/2012 Lee
D735,946 S * 8/2015 Ko
D739,606 S * 9/2015 Demarco
D743,101 S * 11/2015 Pires D28/76
D744,697 S * 12/2015 Chertoff D28/76
D756,575 S * 5/2016 Flurer et al.
D762,327 S * 7/2016 Villarreal D28/7
D770,096 S * 10/2016 Medioni D28/76
D771,317 S * 11/2016 Pires D28/76
D801,584 S * 10/2017 Hasegawa D28/76
D816,913 S * 5/2018 Hayes D28/76
D821,204 S * 6/2018 Reggiani et al.
D834,752 S * 11/2018 Angles-D'Auriac D28/76
2017/0000241 A1* 1/2017 Guay A45D 34/045

(**) Term: **15 Years**

(21) Appl. No.: **29/577,596**

(22) Filed: **Sep. 14, 2016**

(51) **LOC (11) Cl.** **28-03**

(52) **U.S. Cl.**
USPC **D28/76; D9/529; D9/556**

(58) **Field of Classification Search**
USPC **D28/76, 85-90; D9/556, 529, 503-505**
CPC **A45D 34/042-34/048**
See application file for complete search history.

(56) **References Cited**

U.S. PATENT DOCUMENTS

D303,164 S * 8/1989 McCready D28/85
D310,171 S * 8/1990 Cusenza D9/529
D345,630 S * 3/1994 Chevassus D28/85
D345,919 S * 4/1994 Chevassus D28/76
D409,496 S * 5/1999 Ramsey
D416,355 S * 11/1999 Lerolle
D426,348 S * 6/2000 Lang D28/76
D499,653 S * 12/2004 Karim D19/901
D553,001 S * 10/2007 Granitz
D585,601 S * 1/2009 Althoff D28/76

OTHER PUBLICATIONS

Image for Loreal False Lash Wings mascara container, 2 pages, downloaded Feb. 12, 2018.*

* cited by examiner

Primary Examiner — Jennifer Rivard
(74) *Attorney, Agent, or Firm* — Schwegman Lundberg & Woessner, P.A.

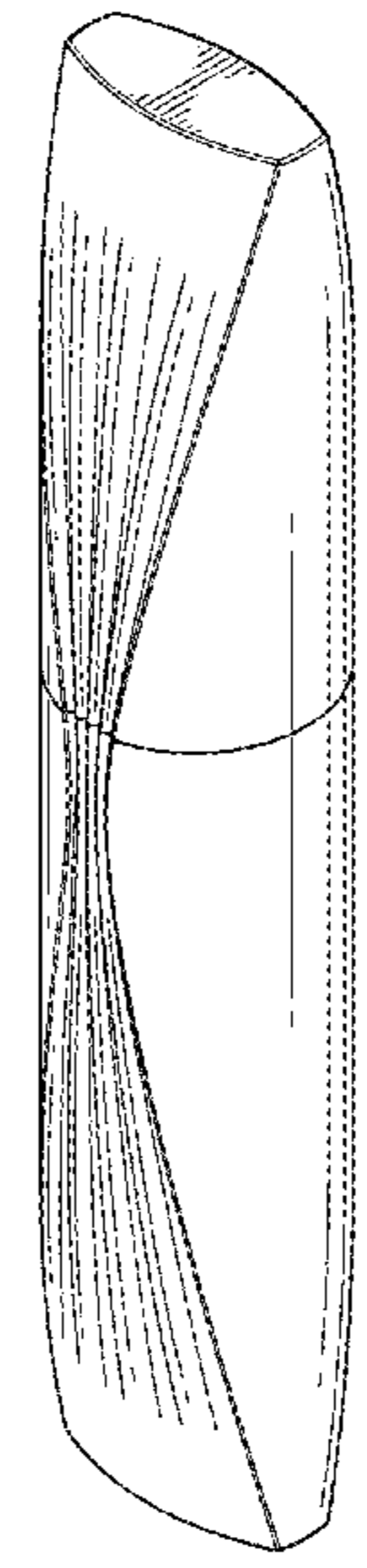
(57) **CLAIM**

The ornamental design for a mascara container, as shown and described.

DESCRIPTION

FIG. 1 is a perspective view thereof;
FIG. 2 is a right side view thereof;
FIG. 3 is a left side view thereof;
FIG. 4 is a front view thereof;
FIG. 5 is a back view thereof;
FIG. 6 is a top view thereof; and,
FIG. 7 is a bottom view thereof.

1 Claim, 3 Drawing Sheets



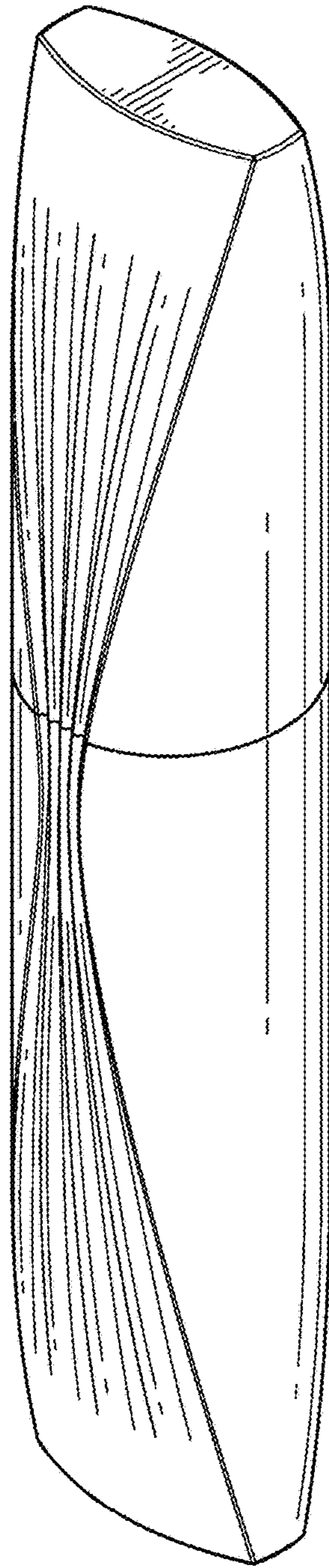


FIG. 1

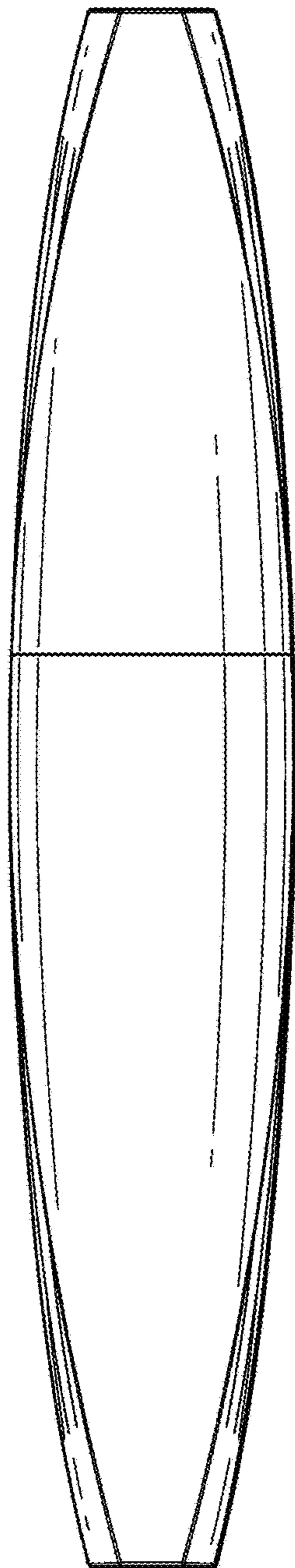


FIG. 2

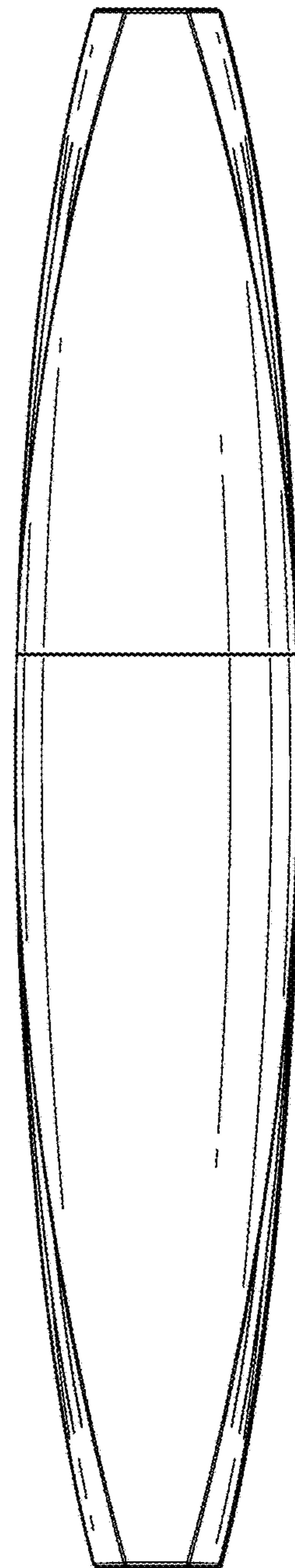


FIG. 3

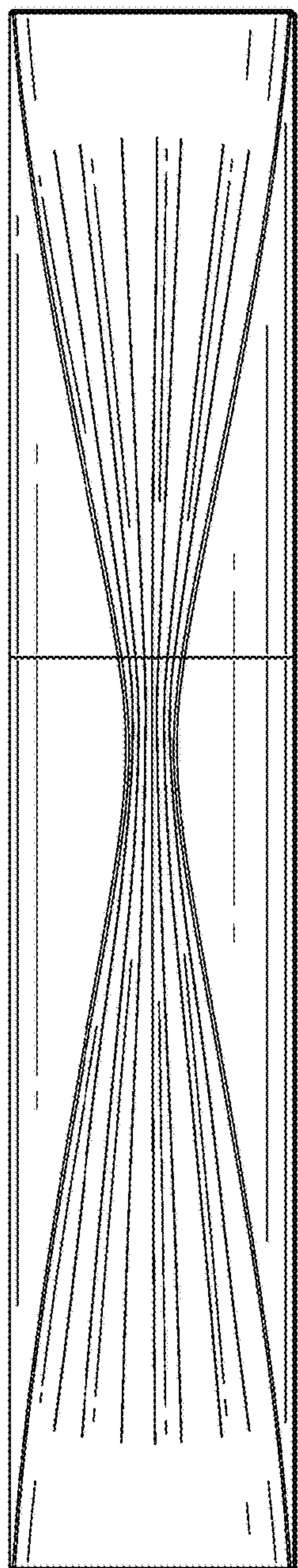


FIG. 4

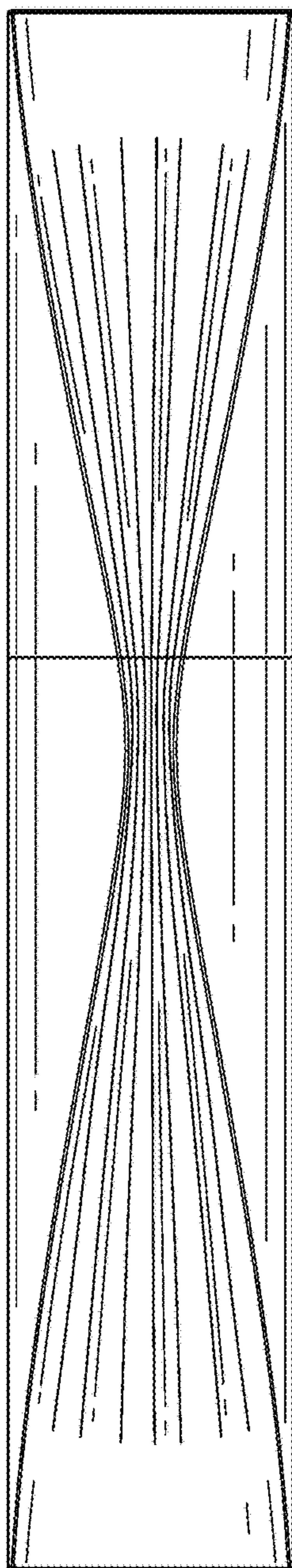


FIG. 5

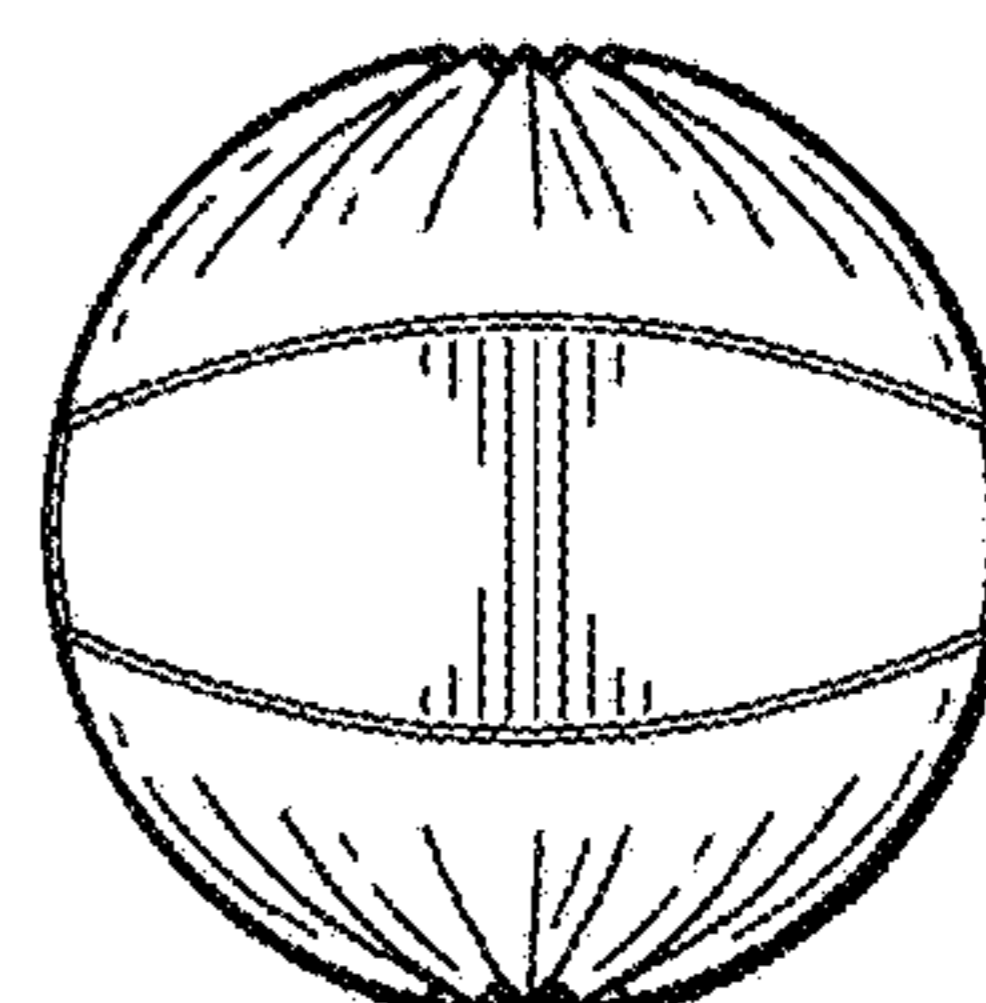


FIG. 6

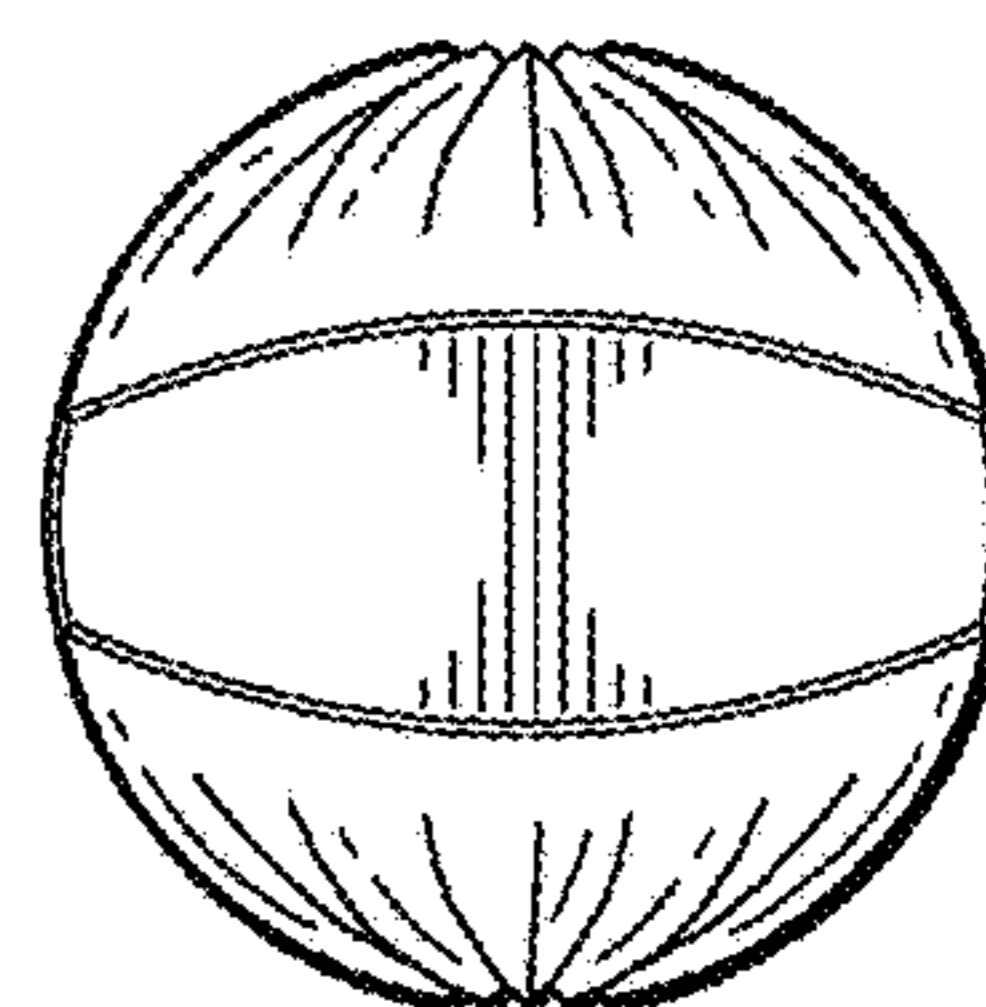


FIG. 7