



US00D854747S

(12) **United States Design Patent**  
**Kimchi**

(10) **Patent No.:** **US D854,747 S**  
(45) **Date of Patent:** **\*\* Jul. 23, 2019**

(54) **BEARD TRIMMER**

(71) Applicant: **Fujicom Ltd.**, Magshimim (IL)

(72) Inventor: **Yanir Kimchi**, Tel-Aviv (IL)

(73) Assignee: **Fujicom Ltd.**, Magshimim (IL)

(\*\*) Term: **15 Years**

(21) Appl. No.: **29/628,251**

(22) Filed: **Dec. 4, 2017**

(51) **LOC (11) Cl.** ..... **28-03**

(52) **U.S. Cl.**  
USPC ..... **D28/53**

(58) **Field of Classification Search**  
USPC ..... D28/49-54  
CPC ..... B26B 19/00-08; B26B 19/10-107; B26B  
19/20-205; B26B 19/38-3833; B26B  
19/3853-3866; B26B 19/3886  
See application file for complete search history.

(56) **References Cited**

**U.S. PATENT DOCUMENTS**

D429,377 S \* 8/2000 Allende ..... D28/49

D751,760 S \* 3/2016 Zachrich ..... D28/53  
D820,521 S \* 6/2018 Nitsch ..... D28/53  
2013/0200823 A1\* 8/2013 Chan ..... B26B 19/284  
318/3

\* cited by examiner

*Primary Examiner* — Jennifer Rivard

(74) *Attorney, Agent, or Firm* — Manelli Selter PLLC;  
Edward Stemberger

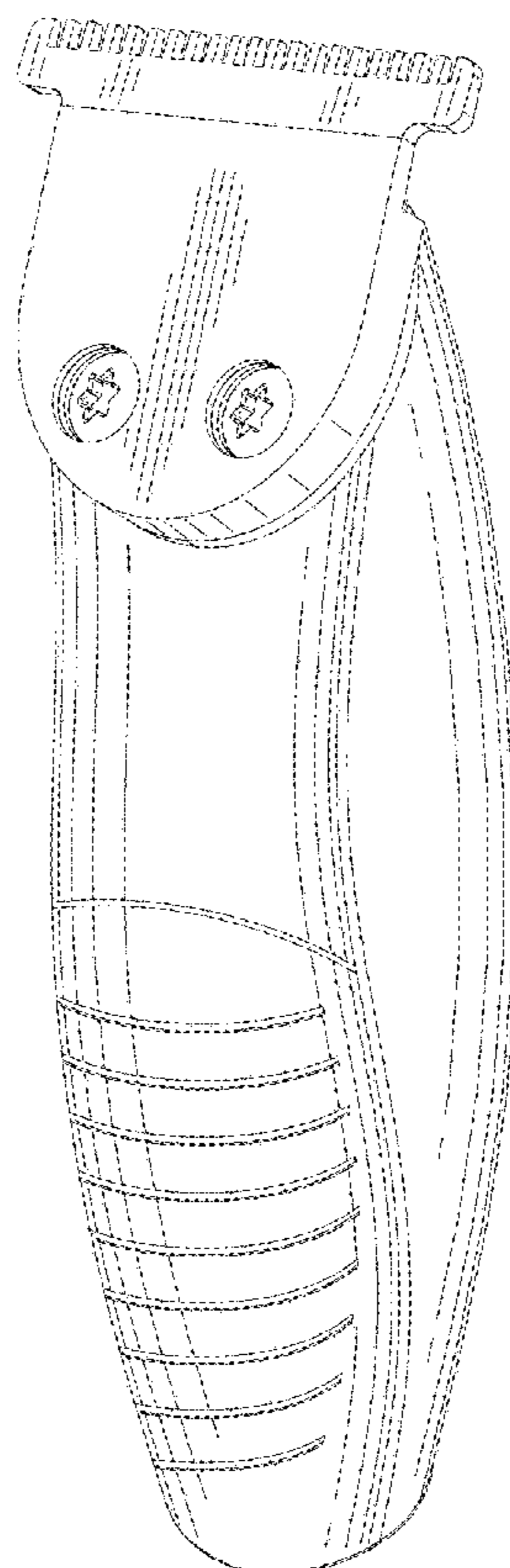
(57) **CLAIM**

The ornamental design for a beard trimmer, as shown.

**DESCRIPTION**

FIG. 1 is a rear perspective view of a beard trimmer in accordance with the invention;  
FIG. 2 is a front side elevational view thereof;  
FIG. 3 is a back side elevational view thereof;  
FIG. 4 is a left side elevational view thereof;  
FIG. 5 is a right side elevational view thereof;  
FIG. 6 is a top plan view thereof; and,  
FIG. 7 is a bottom plan view thereof.

**1 Claim, 6 Drawing Sheets**



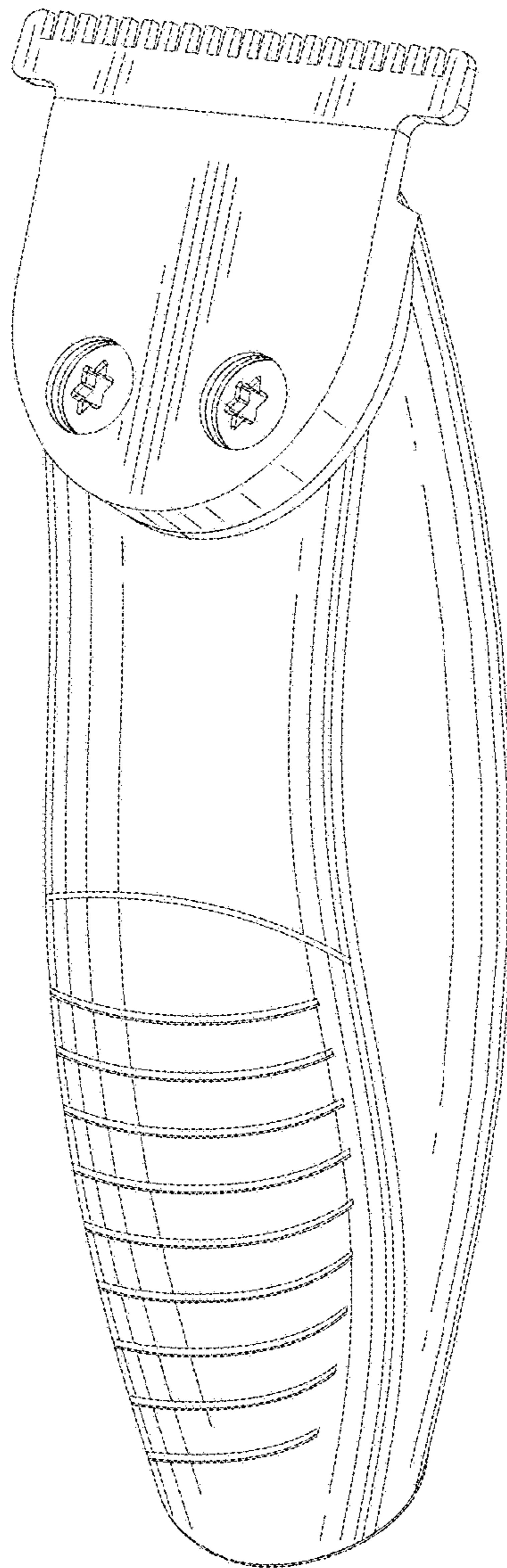


FIG. 1

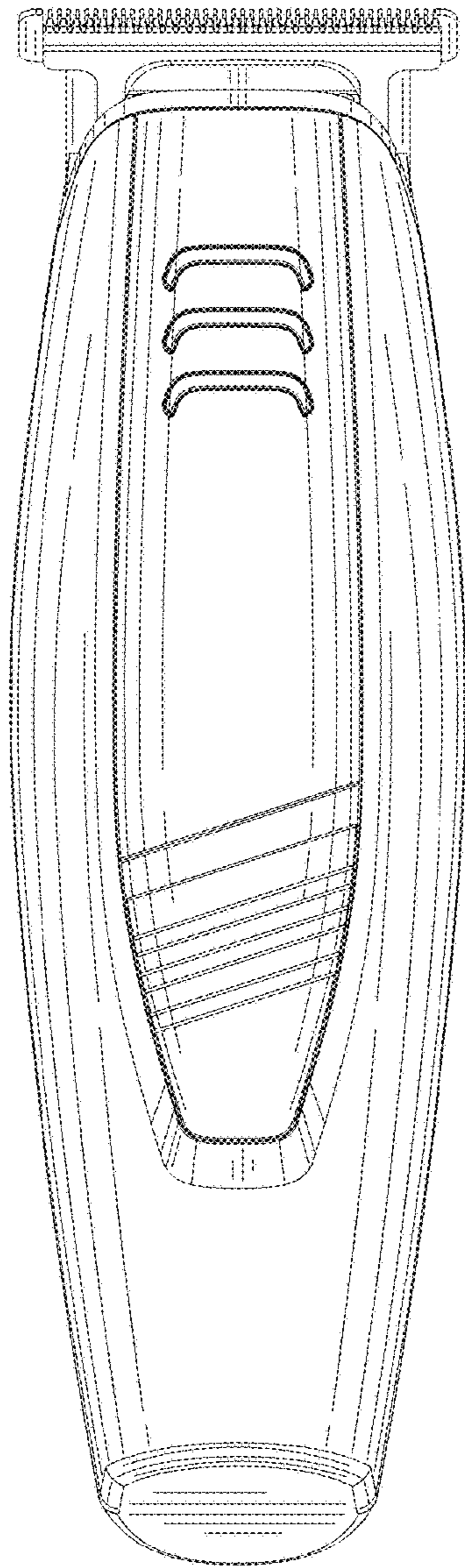


FIG. 2

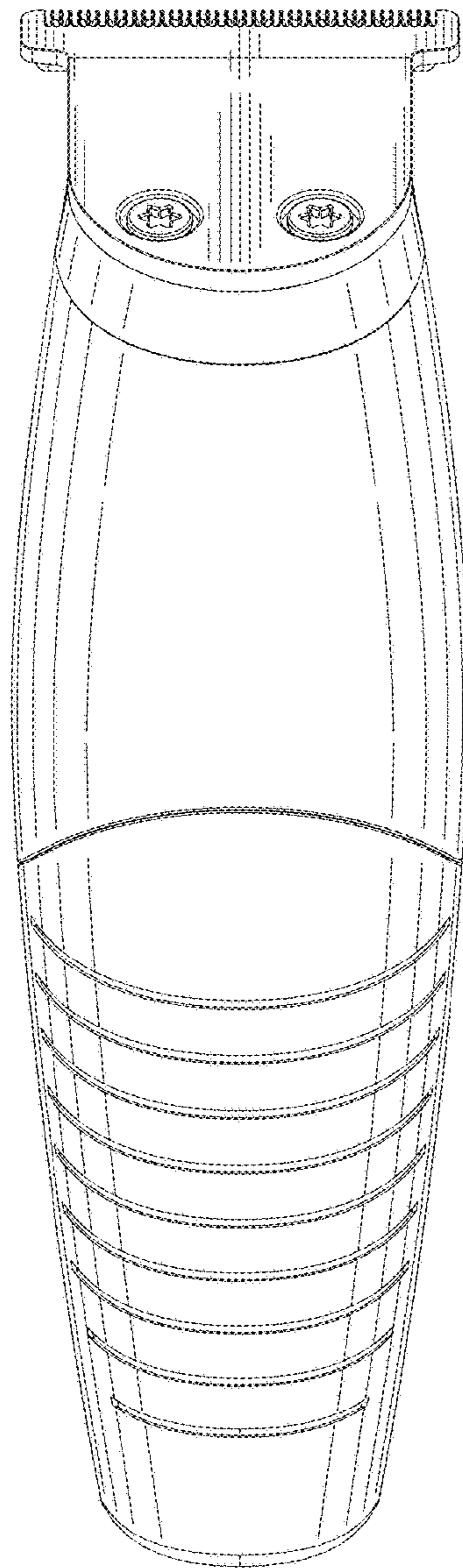


FIG. 3

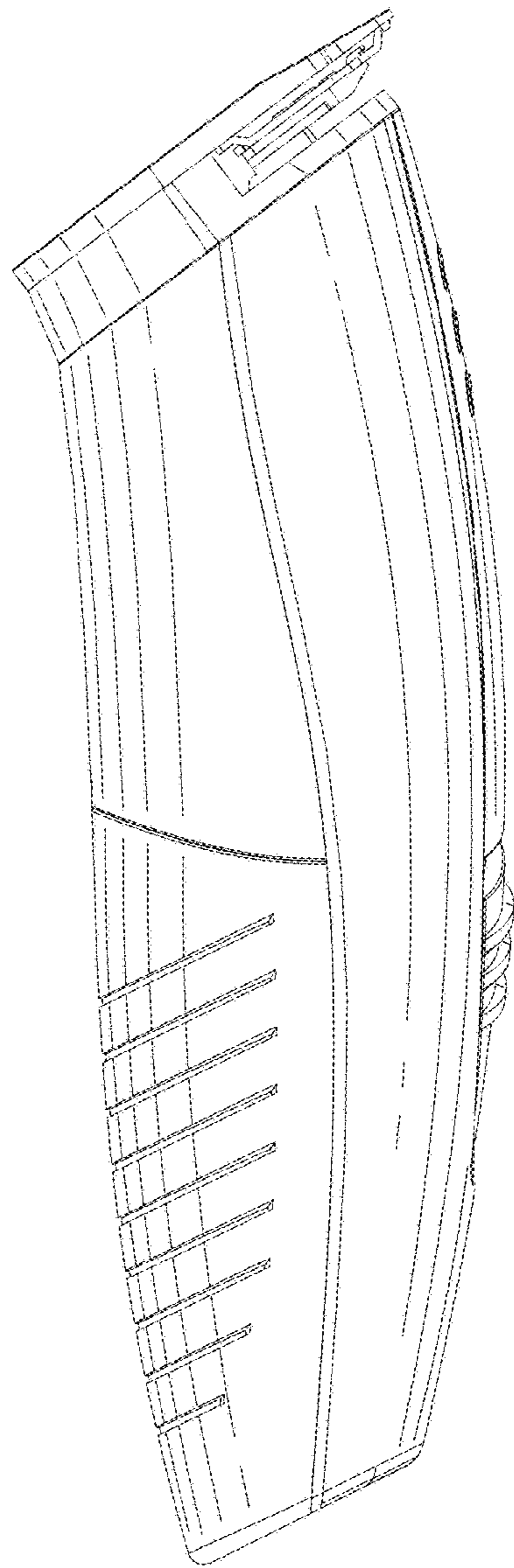


FIG. 4

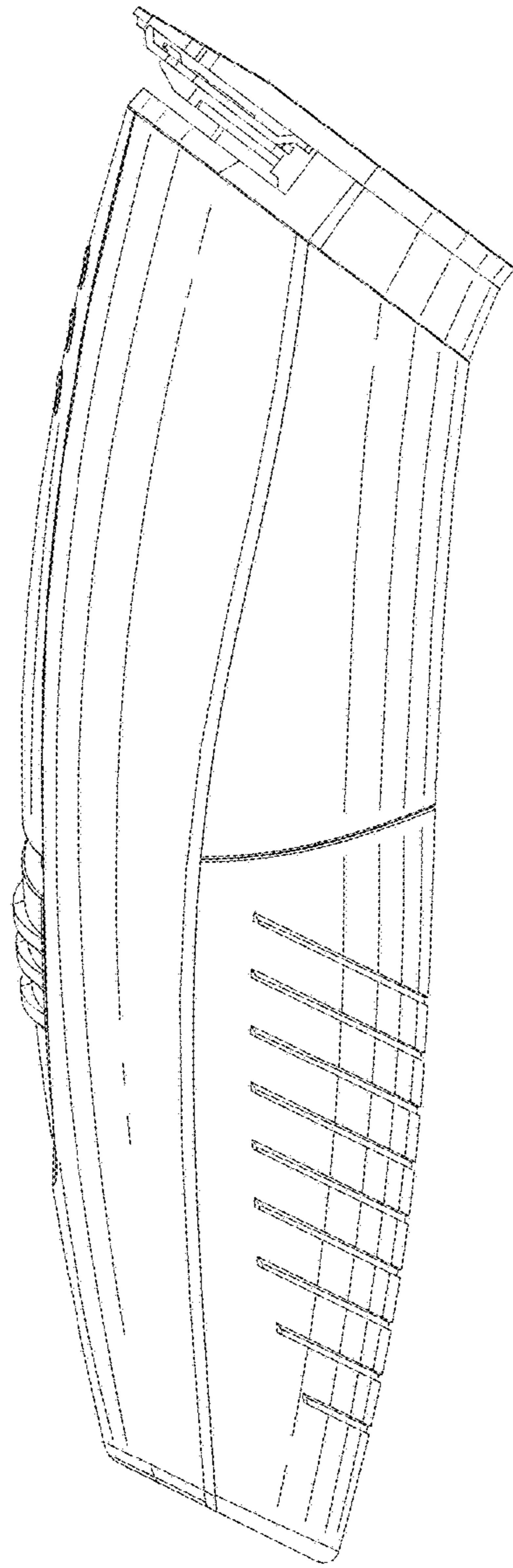


FIG. 5

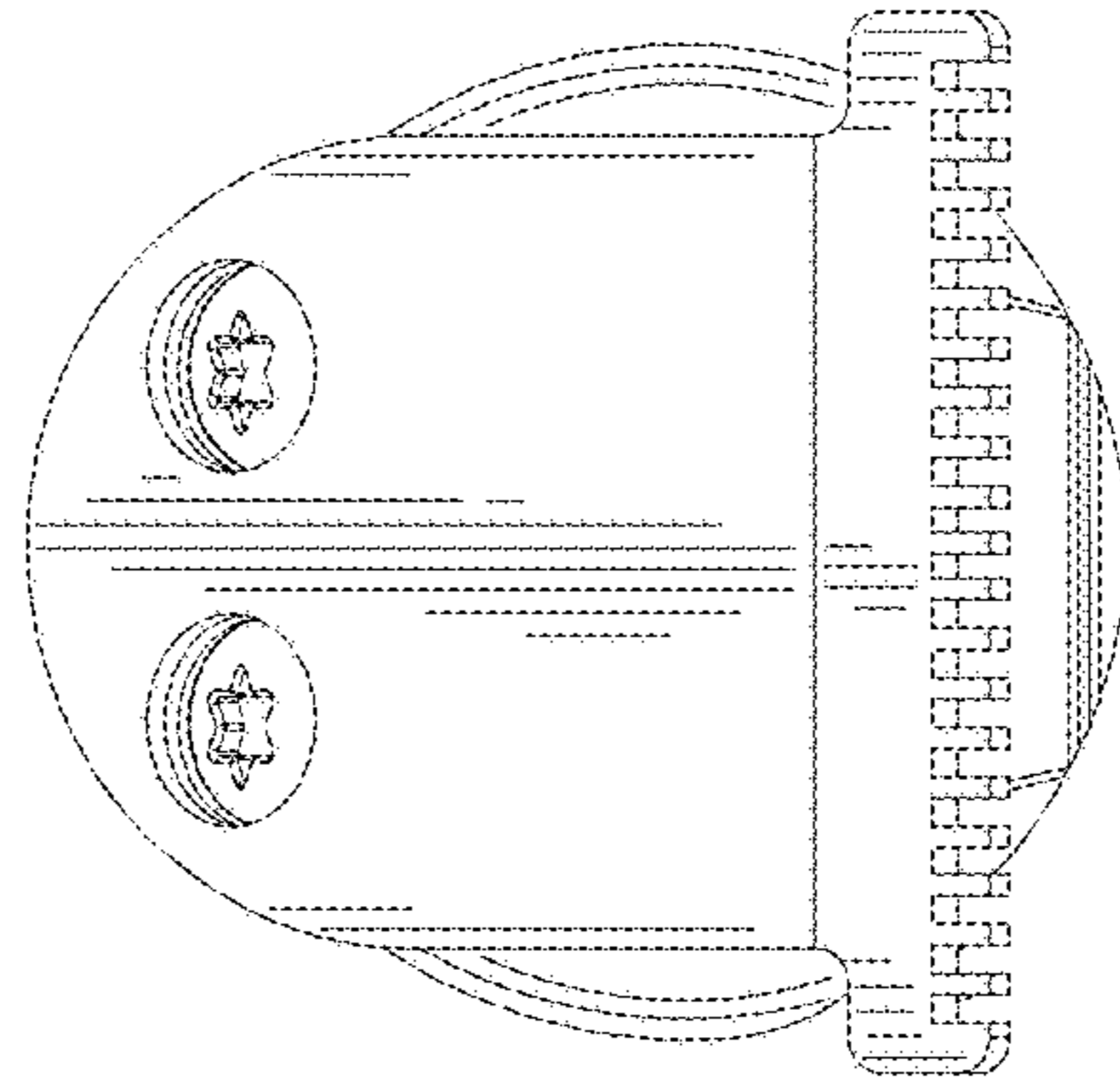


FIG. 6

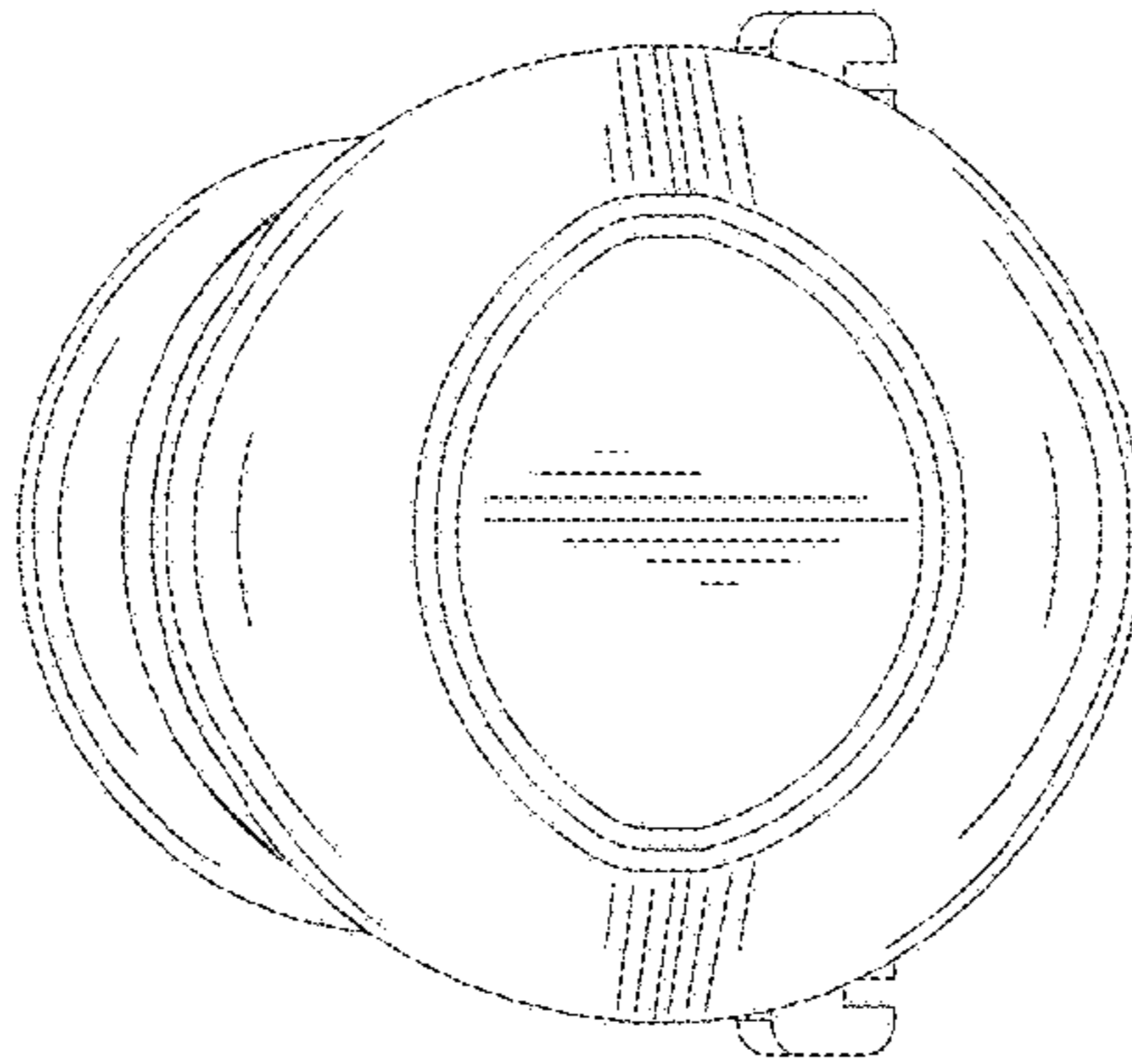


FIG. 7