



US00D854742S

(12) **United States Design Patent** (10) **Patent No.:** **US D854,742 S**
Fisten et al. (45) **Date of Patent:** **** Jul. 23, 2019**

(54) **TOOL FOR REMOVING ASH AND EMBER FROM A CIGAR**
(71) Applicants: **Douglas I. Fisten**, Plantation, FL (US); **Carl D. Hoff**, Weston, FL (US); **Daniel Z. Hoff**, Weston, FL (US)
(72) Inventors: **Douglas I. Fisten**, Plantation, FL (US); **Carl D. Hoff**, Weston, FL (US); **Daniel Z. Hoff**, Weston, FL (US)
(73) Assignee: **Lions' Share Capital Solutions, LLC**, Plantation, FL (US)

(**) Term: **15 Years**
(21) Appl. No.: **29/629,590**

(22) Filed: **Dec. 14, 2017**
(51) **LOC (11) Cl.** **27-99**
(52) **U.S. Cl.**
USPC **D27/196**
(58) **Field of Classification Search**
USPC D27/100, 101, 139-161, 162-196;
D24/110, 133, 146, 147, 152; D3/273,
D3/215; D15/142, 144-144.2; D12/174,
D12/179; D9/445-446, 563, 516, 549;
D7/316, 318; D8/105, 396, 356, 90, 94;
D32/17
CPC .. A24F 15/00; A24F 9/16; A24F 15/18; A24F
13/20; A24F 23/00; A24F 9/02; A24B
15/167; B67B 7/20
See application file for complete search history.

(56) **References Cited**
U.S. PATENT DOCUMENTS
D865,547 9/1907 Walker
D48,861 S * 4/1916 Gleim D27/196
1,438,418 A 12/1922 Woods
1,526,938 A 2/1925 Sommerfeldt

2,106,639 A 1/1938 Jenkinson
D115,157 S * 6/1939 Lind 131/244
D125,131 S * 2/1941 Giesen 131/246
D130,153 S 10/1941 McCoy
2,460,937 A 2/1946 Kaufman
D208,613 S 9/1967 Schwartz
D225,130 S * 11/1972 Pachter D27/196
D229,983 S * 1/1974 Bernard D27/196
D242,215 S * 11/1976 Granberg D8/94
D246,390 S * 11/1977 Endres D27/196
D270,952 S 10/1983 Peterson
D274,562 S 7/1984 Veal
D285,367 S * 8/1986 Lindner D28/57
D309,499 S * 7/1990 Bowman D24/133
D328,347 S * 7/1992 Santora D24/133
D342,999 S * 1/1994 Gonsalves, Jr. D24/147
D362,067 S * 9/1995 Chang D24/133
D390,659 S * 2/1998 Chan D24/133
D414,866 S * 10/1999 Szabo D24/133

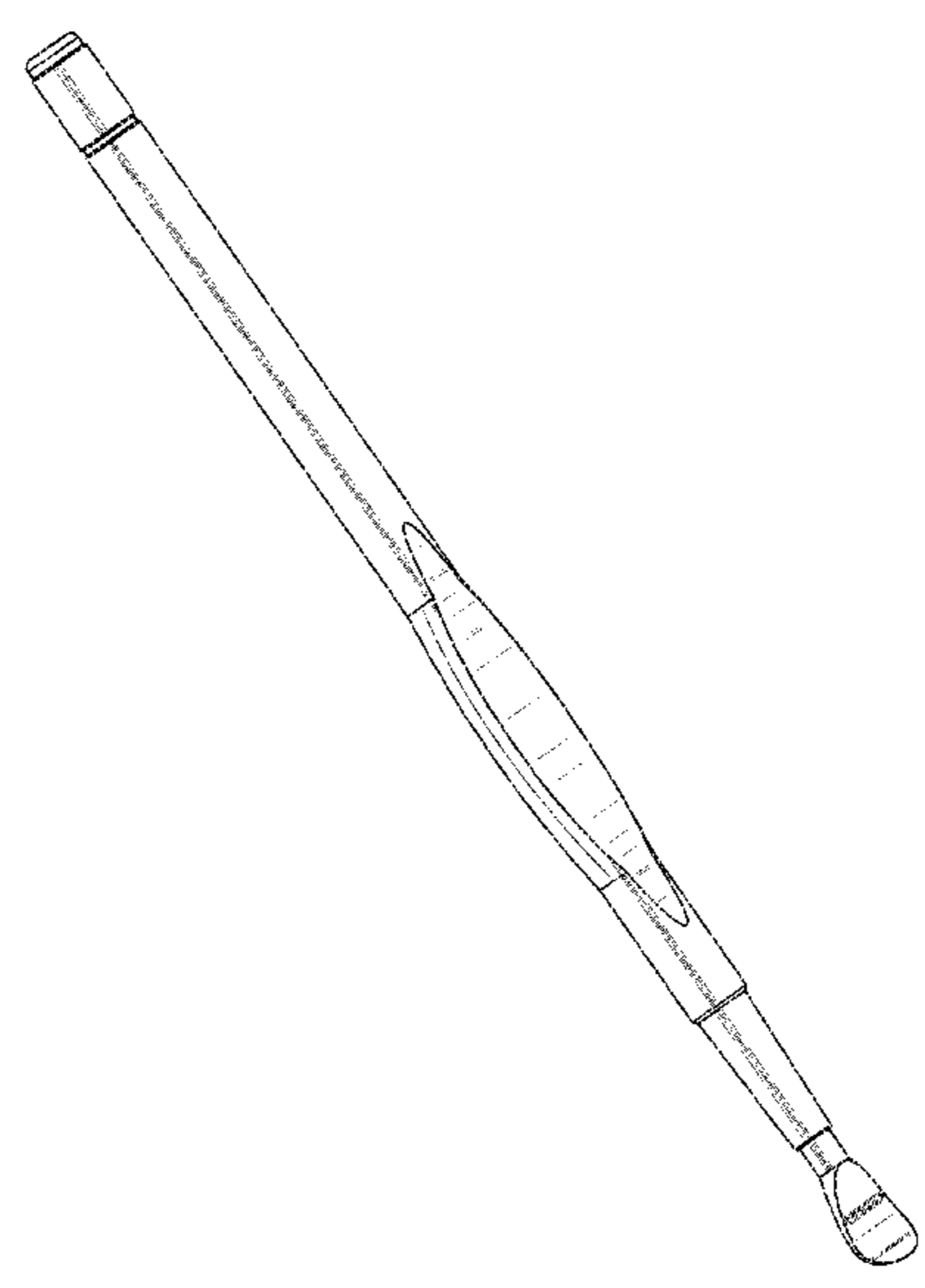
(Continued)

Primary Examiner — Brandon M Rosati
Assistant Examiner — Marissa J Cash
(74) *Attorney, Agent, or Firm* — Robert M. Schwartz;
Alfred K. Dassler

(57) **CLAIM**
The ornamental design of a tool for removing ash and ember from a cigar, as shown and described.

DESCRIPTION
FIG. 1 is a front top perspective view of the tool for removing ash and ember from a cigar showing the new design.
FIG. 2 is a plan view of the design.
FIG. 3 is a bottom view of the design.
FIG. 4 is a side view of the design, the left and right side views are the same and thus there is only one side view presented.
FIG. 5 is a front view of the design; and,
FIG. 6 is a rear view of the design.

1 Claim, 3 Drawing Sheets



(56)

References Cited

U.S. PATENT DOCUMENTS

D415,275 S *	10/1999	Huttner	D24/147	D611,225 S *	3/2010	Khalil	D24/146
D420,133 S *	2/2000	Huttner	D24/147	D612,048 S *	3/2010	Baynham	D24/133
D423,669 S *	4/2000	Huttner	D24/147	D612,049 S *	3/2010	Baynham	D24/133
D428,489 S *	7/2000	Huttner	D24/147	D612,050 S *	3/2010	Baynham	D24/133
D438,305 S *	2/2001	Ripich	D24/147	D619,253 S *	7/2010	Way	D24/133
D445,503 S *	7/2001	Huttner	D24/146	D627,886 S *	11/2010	Williamson	D24/152
D447,237 S *	8/2001	Huttner	D24/147	D665,076 S *	8/2012	Sauer	D24/133
D449,888 S *	10/2001	Huttner	D24/133	D725,776 S *	3/2015	Lee	D24/147
D450,676 S *	11/2001	Huttner	D24/133	D733,300 S *	6/2015	Bennett	D24/147
D467,658 S *	12/2002	Goodwin	A61B 17/3211	D738,502 S *	9/2015	Jian	D24/146
				D24/133	D744,652 S *	12/2015	Bennett	D24/147
D490,523 S *	5/2004	Samborski	D24/119	D749,730 S *	2/2016	Dietz	D24/146
D515,213 S *	2/2006	Huttner	D24/147	D782,042 S *	3/2017	Dexter	D24/146
D538,425 S *	3/2007	Awh	D24/133	D783,896 S *	4/2017	Henderson		
D568,474 S *	5/2008	Braunberger	D24/133	D786,428 S *	5/2017	Peltosaari	D24/133
D582,552 S *	12/2008	Berberich	D24/133	D790,701 S *	6/2017	Figueredo	D24/147
D589,619 S *	3/2009	Wu	D24/133	D797,291 S *	9/2017	Padwa	D24/147
D590,946 S *	4/2009	Baynham	D24/146	D800,906 S *	10/2017	Cihak	D24/146
D601,251 S *	9/2009	Horton	D24/133	D812,752 S *	3/2018	Price	D24/147
D603,046 S *	10/2009	Frey	D24/133	D820,516 S *	6/2018	Swanson	D27/196
D610,259 S *	2/2010	Way	D24/133	D825,757 S *	8/2018	Pirtle	D24/152
					2006/0179978 A1	8/2006	Rocks		
					2016/0262448 A1	9/2016	Zeitlin		

* cited by examiner

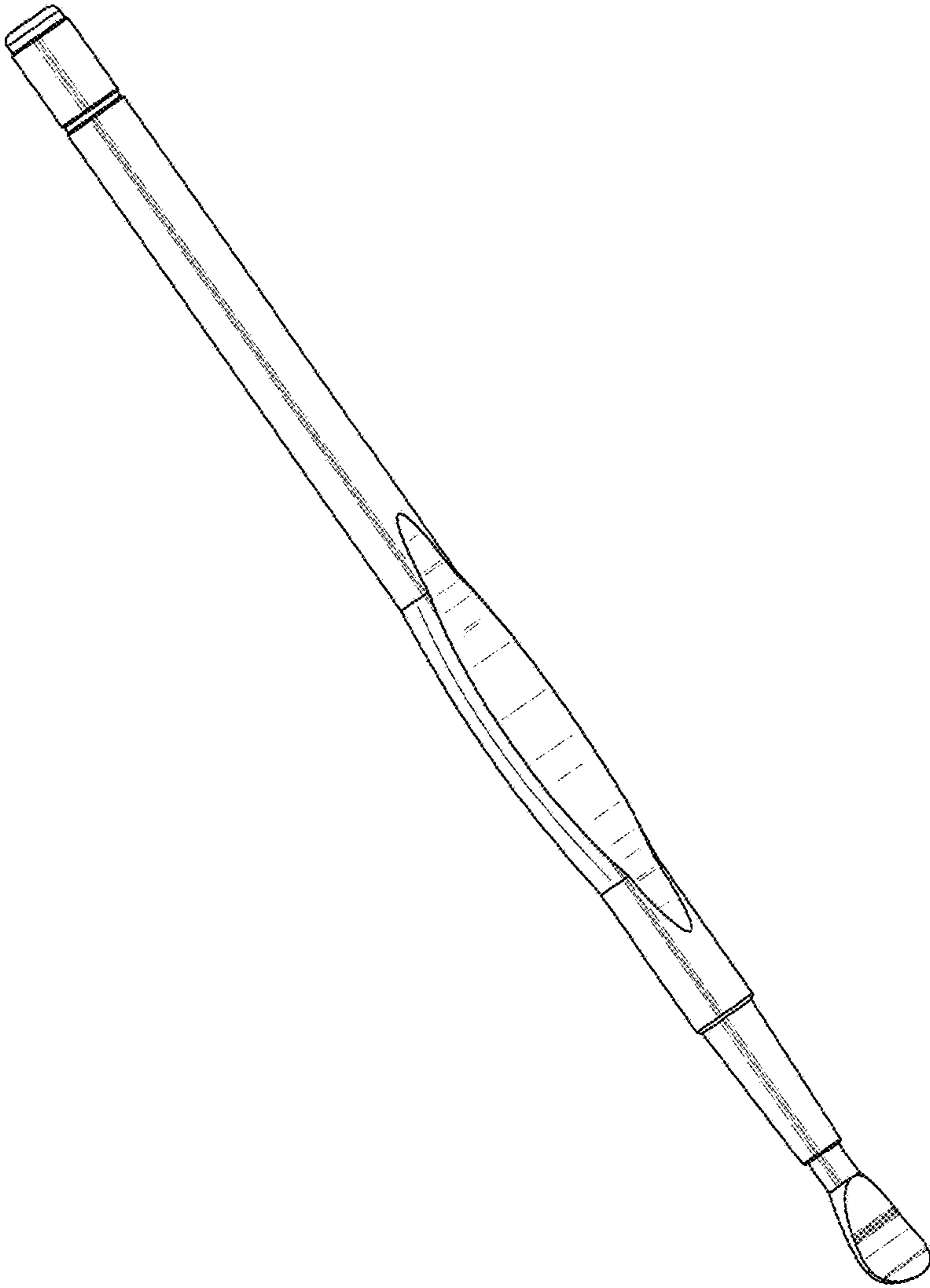


FIG. 1

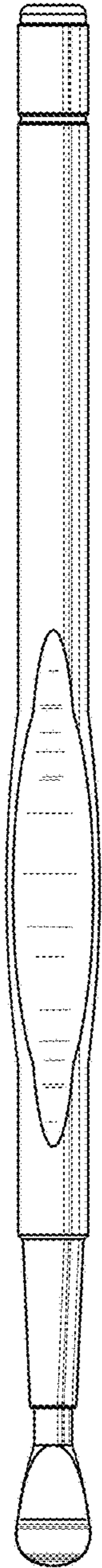


FIG. 2

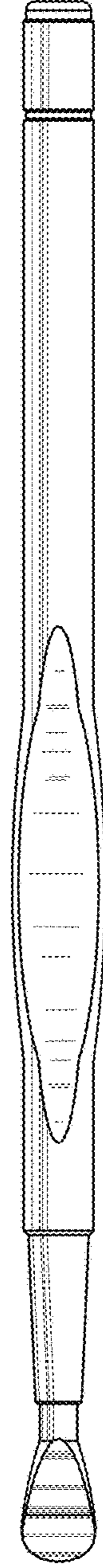


FIG. 3

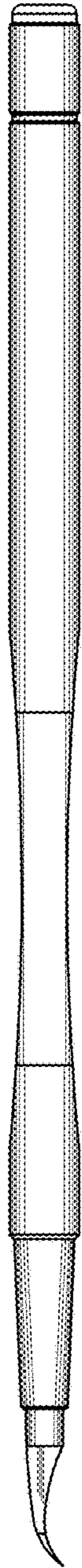


FIG. 4



FIG. 5



FIG. 6