



US00D854741S

(12) **United States Design Patent** (10) **Patent No.:** **US D854,741 S**
Smith (45) **Date of Patent:** **** *Jul. 23, 2019**

- (54) **VAPORIZER DEVICE**
- (71) Applicant: **Cortney Smith**, Las Vegas, NV (US)
- (72) Inventor: **Cortney Smith**, Las Vegas, NV (US)
- (*) Notice: This patent is subject to a terminal disclaimer.
- (**) Term: **15 Years**
- (21) Appl. No.: **29/644,285**
- (22) Filed: **Apr. 16, 2018**

D233,944 S 12/1974 Toiseux
 D235,457 S 6/1975 Takashima
 D260,943 S 9/1981 Stutzer et al.
 (Continued)

OTHER PUBLICATIONS

Flowermate Mini Portable Vaporizer Review. dated May 12, 2015. found online [Sep. 21, 2018] <http://www.getavape.com/2015/05/12/flowermate-mini/>.*

(Continued)

Primary Examiner — Brandon M Rosati
Assistant Examiner — Marissa J Cash

Related U.S. Application Data

- (63) Continuation-in-part of application No. 29/600,775, filed on Apr. 14, 2017, which is a continuation-in-part of application No. 29/579,220, filed on Sep. 28, 2016, now Pat. No. Des. 806,311, which is a continuation-in-part of application No. 29/600,786, filed on Apr. 14, 2017, which is a continuation-in-part of application No. 29/579,220, filed on Sep. 28, 2016, now Pat. No. Des. 806,311.

- (51) **LOC (11) Cl.** **12-07**
- (52) **U.S. Cl.**
USPC **D27/162**

- (58) **Field of Classification Search**
USPC D9/573; D27/100-196; D23/367
CPC A24F 1/00; A24F 1/02; A24F 1/04; A24F 1/06; A24F 1/08; A24F 1/10; A24F 1/12; A24F 1/14; A24F 1/26; A24F 1/28; A24F 7/00; A24F 7/02; A24F 7/04; A24F 47/008

See application file for complete search history.

- (56) **References Cited**

U.S. PATENT DOCUMENTS

D208,371 S 8/1967 Mizutani
 D226,221 S 1/1973 Sadao
 D229,964 S 1/1974 Sadao

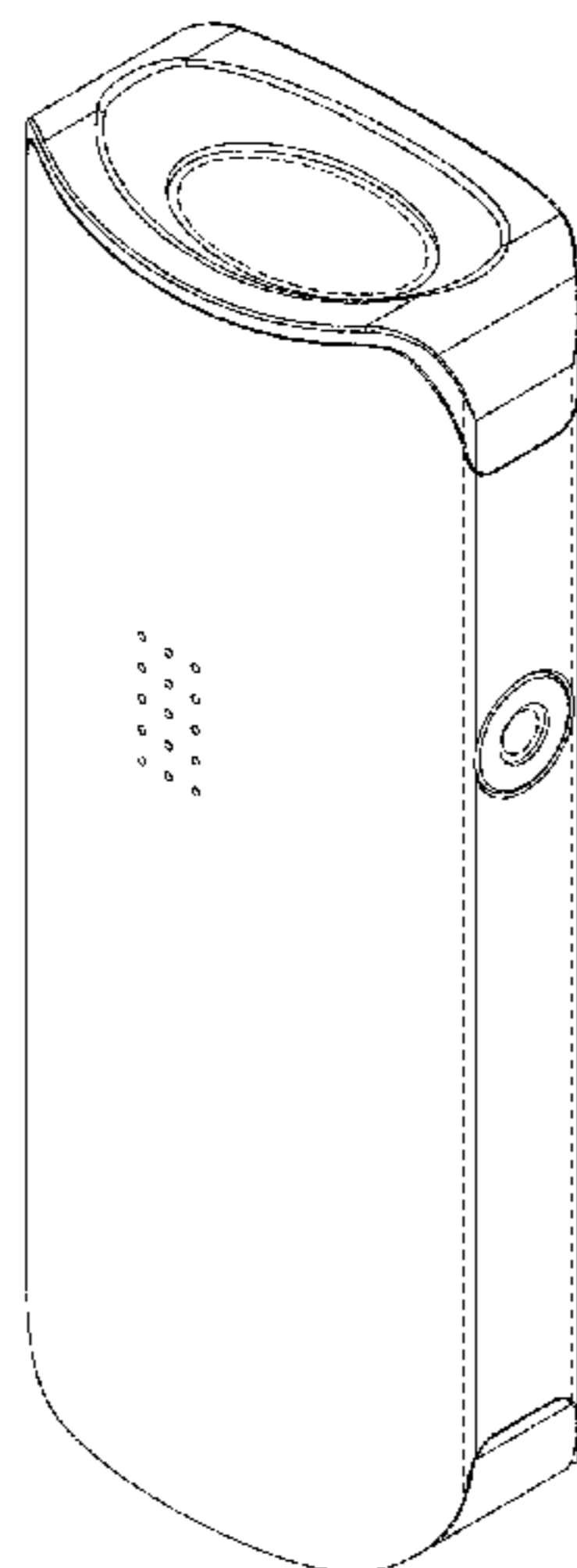
- (57) **CLAIM**

The ornamental design for a vaporizer device with surface ornamentation, as shown and described.

DESCRIPTION

FIG. 1 is a front right top perspective view of a vaporizer device showing my new design;
 FIG. 2 is a back right top perspective view thereof
 FIG. 3 is a front view thereof;
 FIG. 4 is a back view thereof;
 FIG. 5 is a top view thereof;
 FIG. 6 is a bottom view thereof;
 FIG. 7 is a left side view thereof;
 FIG. 8 is an opposite side view thereof;
 FIG. 9 is a back left top perspective view thereof;
 FIG. 10 is a front left top perspective view thereof;
 FIG. 11 is a front right bottom perspective view thereof;
 FIG. 12 is a back right bottom perspective view thereof;
 FIG. 13 is a back left bottom perspective view thereof; and,
 FIG. 14 is a front left bottom perspective view thereof.
 In FIGS. 1, 3, 7-8, 10-11, and 14, the array of circles is a surface ornamentation applied to the vaporizer device.
 In the drawings, the broken lines represents boundaries and forms no part of the claim.

1 Claim, 6 Drawing Sheets



(56)

References Cited

U.S. PATENT DOCUMENTS

D489,478 S	5/2004	Shioi	
D522,640 S	6/2006	Miró	
D551,799 S	9/2007	Smith	
D596,281 S	7/2009	Schwartz et al.	
D640,360 S	6/2011	Boshuizen et al.	
D670,370 S	11/2012	Olchovy et al.	
D681,267 S	4/2013	Touzjian	
D707,339 S	6/2014	Garbusi et al.	
D716,997 S	11/2014	Freelander	
D806,311 S	12/2017	Smith	
D806,850 S	1/2018	D'Amico	
D828,950 S	* 9/2018	Gu	D27/141

OTHER PUBLICATIONS

“Flowermate v5 pro” Found online Apr. 10, 2018 at www.planetofthevapes.com. Page dated Nov. 2, 2016. Retrieved from <https://www.planetofthevapes.com/products/flormer-mate-v5-pro>.

“Davinici Vaporizer” Found online Apr. 10, 2018 at www.davincivaporizer.com. Page dated Nov. 23, 2016. Retrieved from <https://www.davincivaporizer.com/iq-vaporizer/>.

Non Final Rejection issued in U.S. Appl. No. 29/600,786, dated Jul. 13, 2018.

Final Rejection issued in U.S. Appl. No. 29/600,786, dated Dec. 18, 2018.

Non-Final Office Action Issued for U.S. Appl. No. 29/644,286 dated Jan. 22, 2019.

* cited by examiner

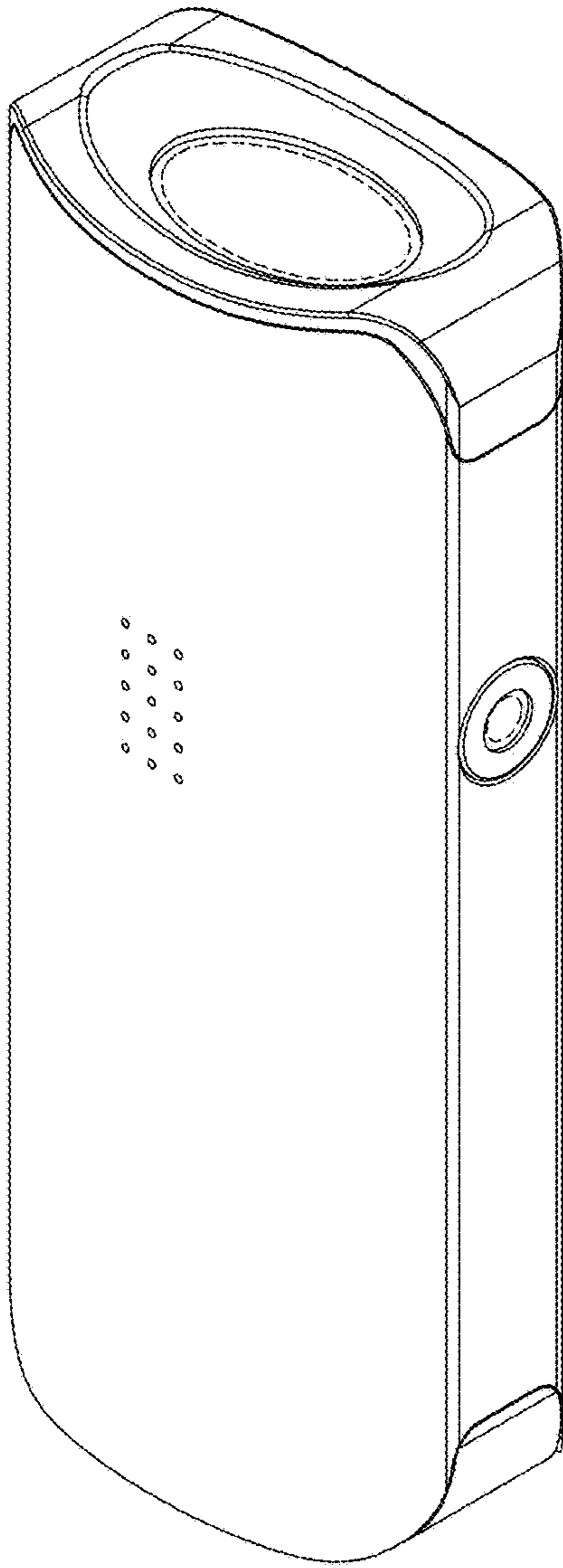


FIG. 1

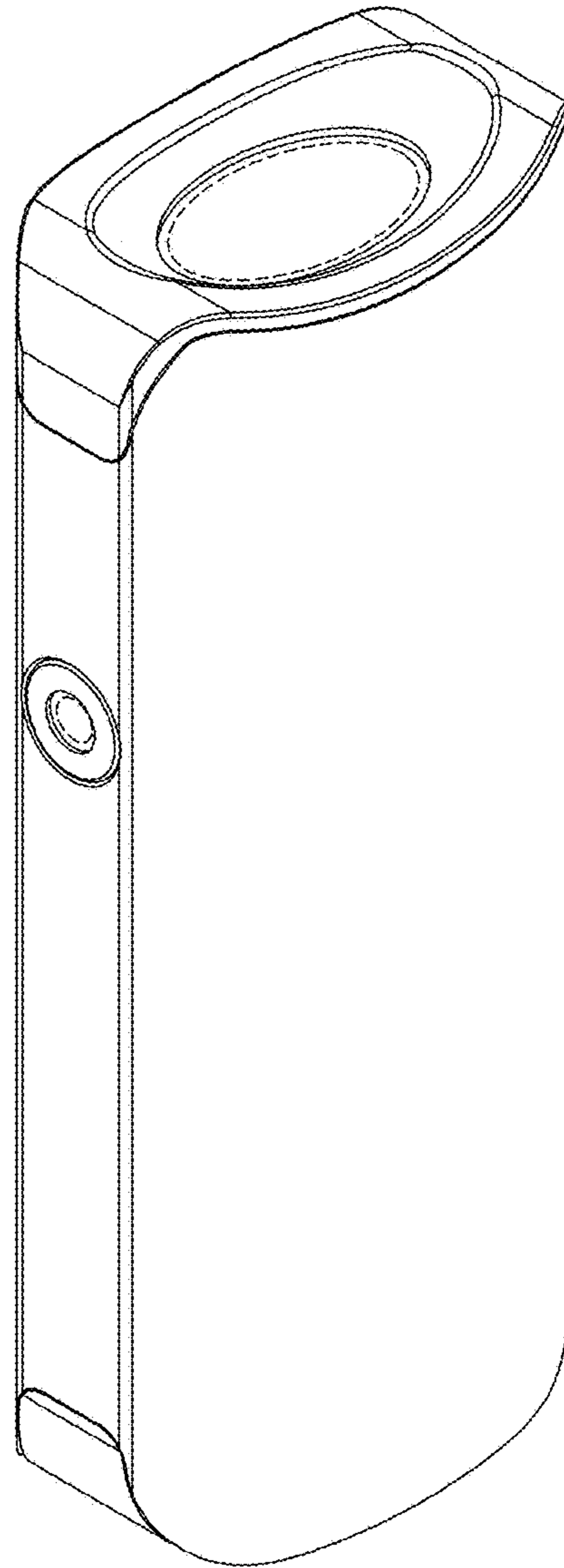


FIG. 2

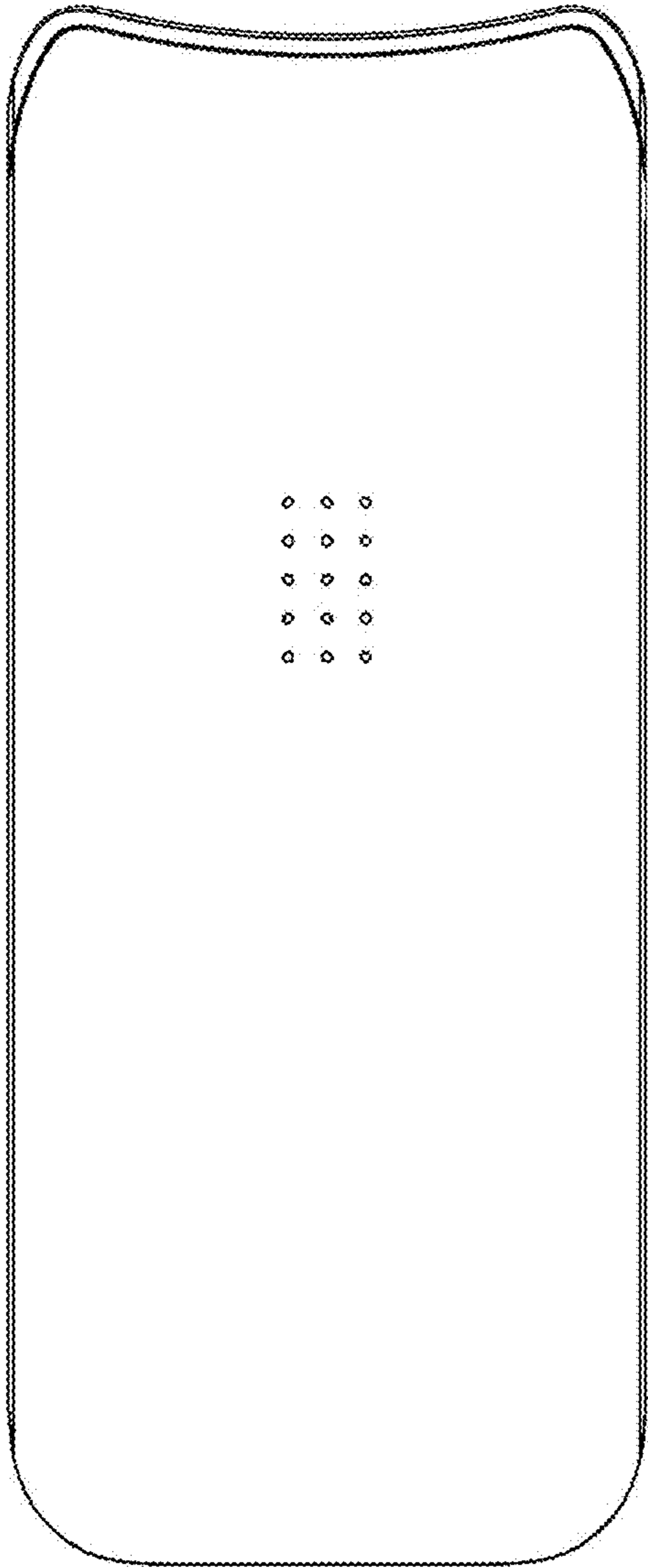


FIG. 3

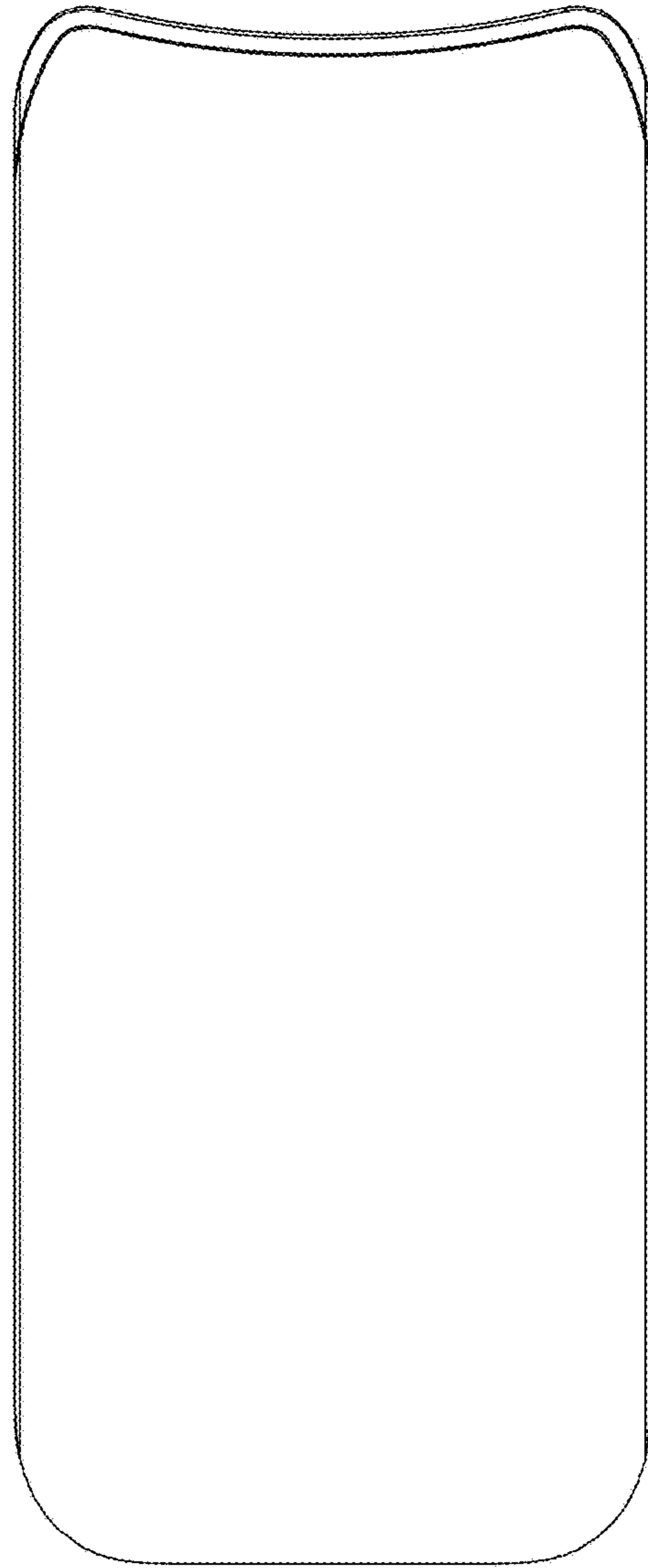


FIG. 4

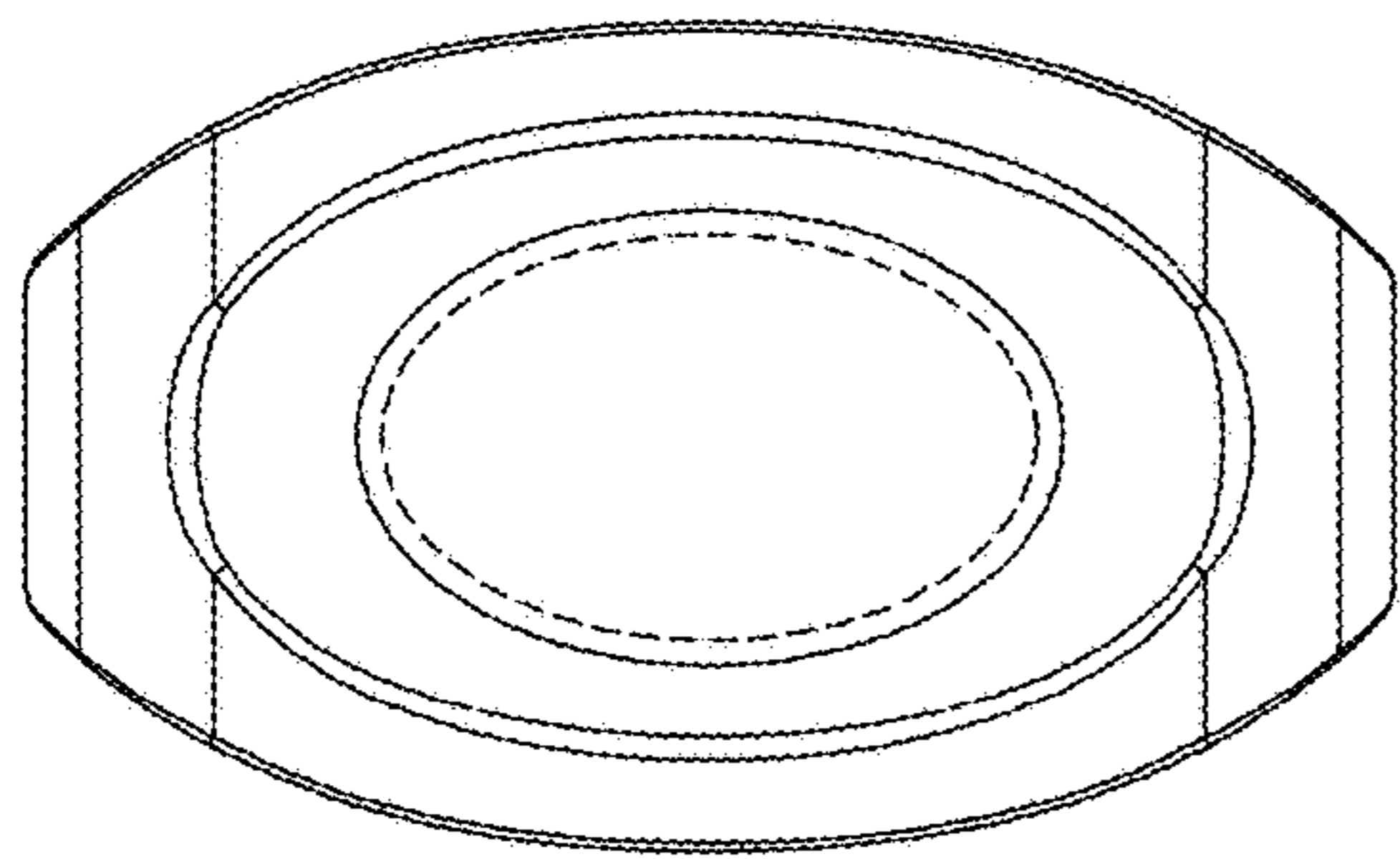


FIG. 5

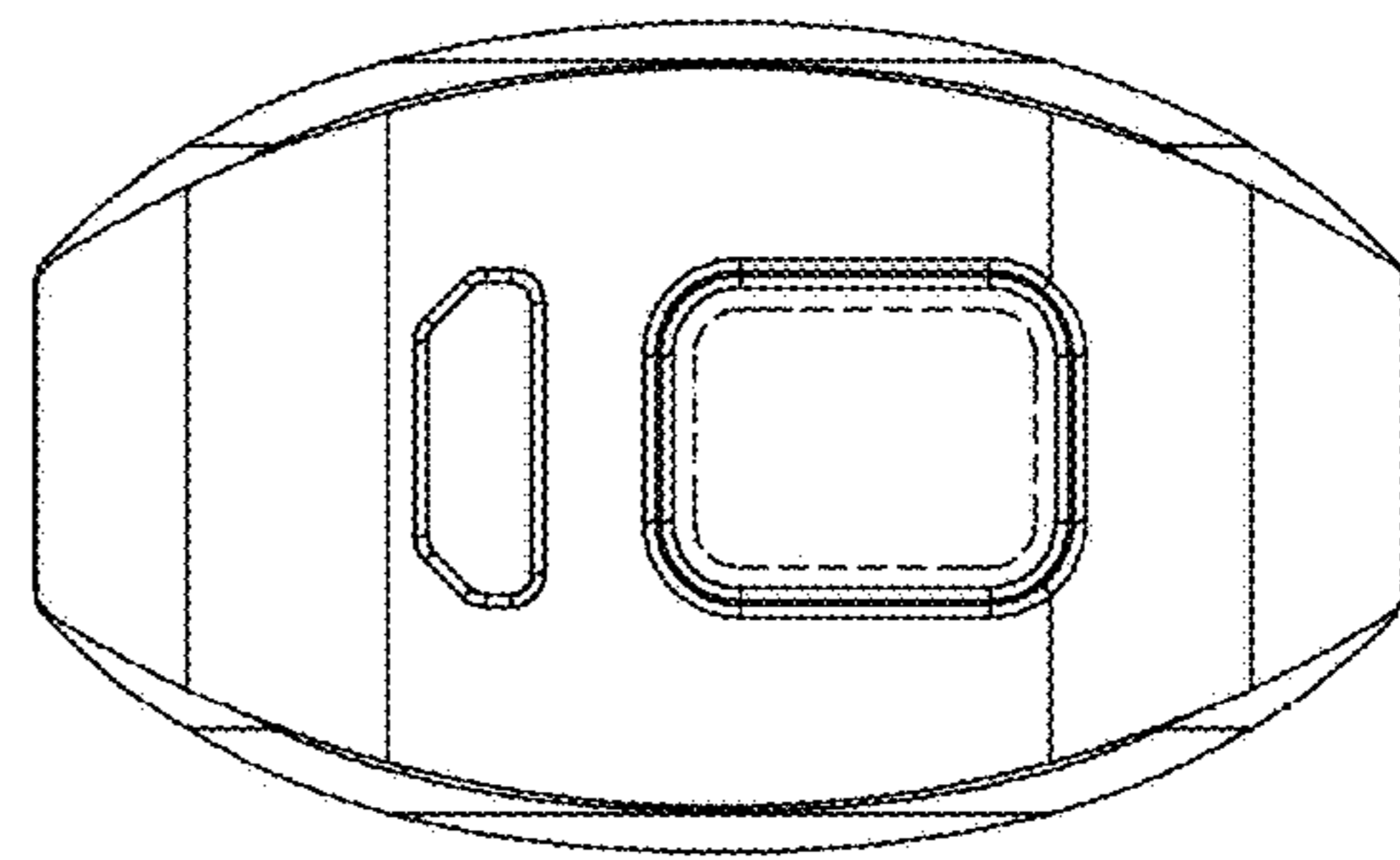


FIG. 6

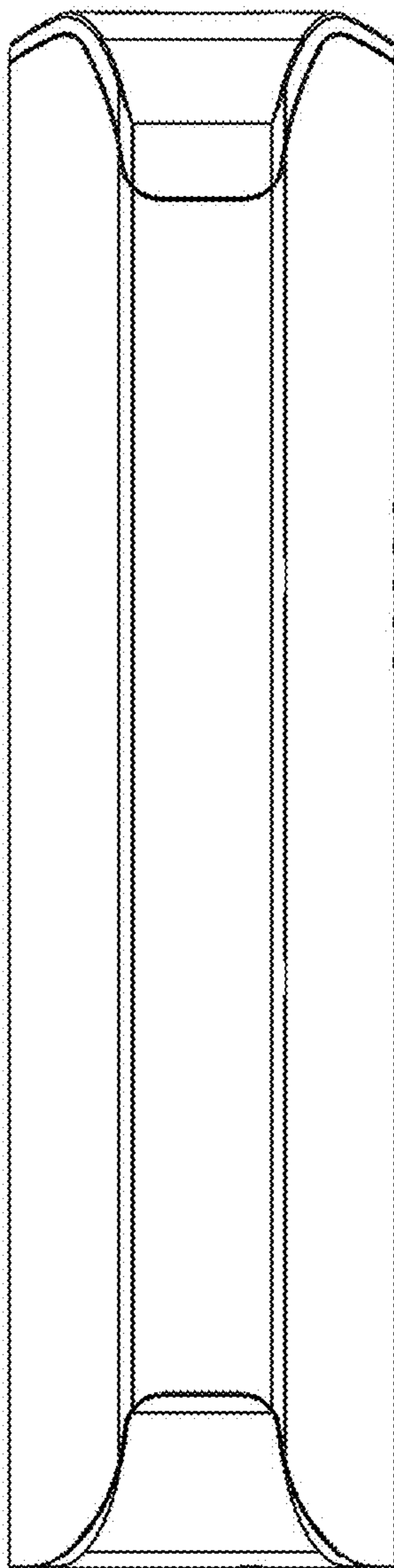


FIG. 7

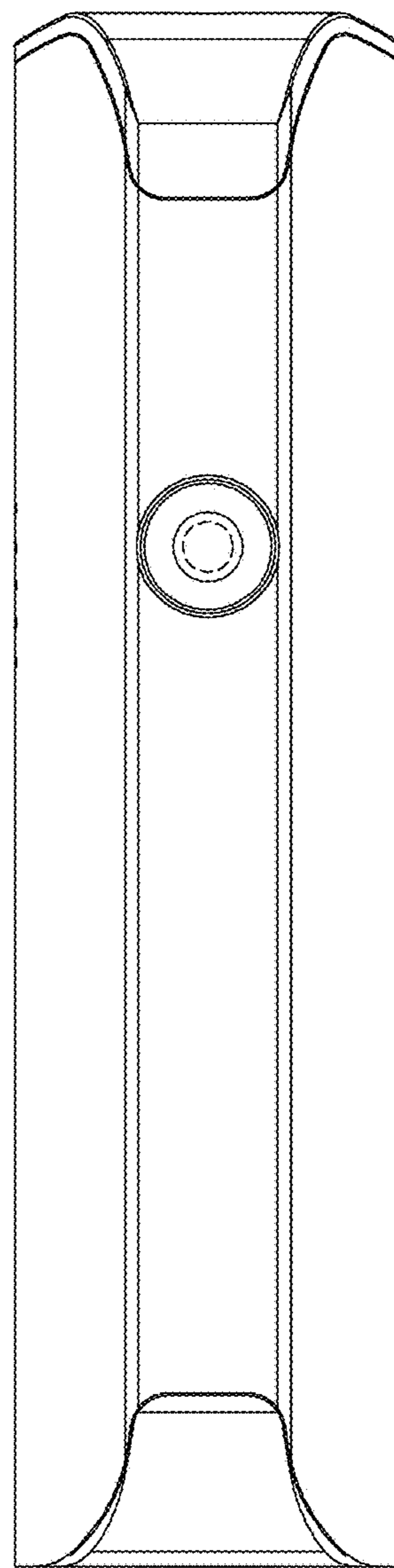


FIG. 8

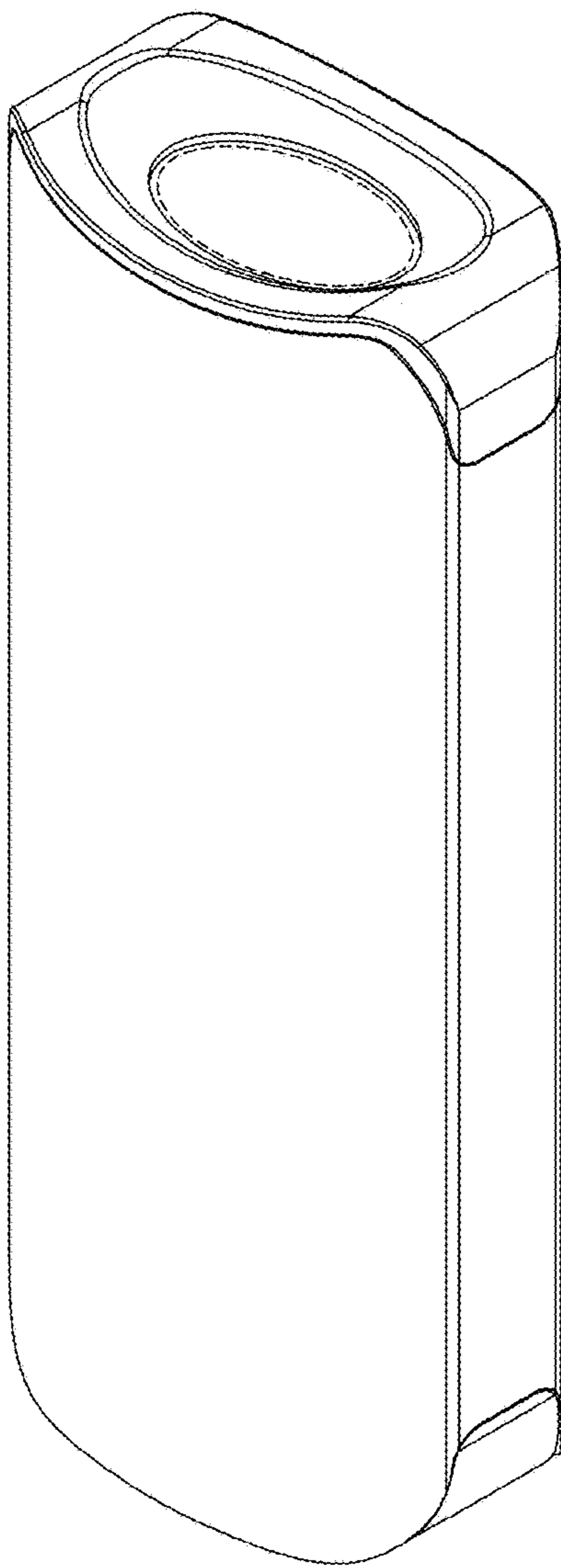


FIG. 9

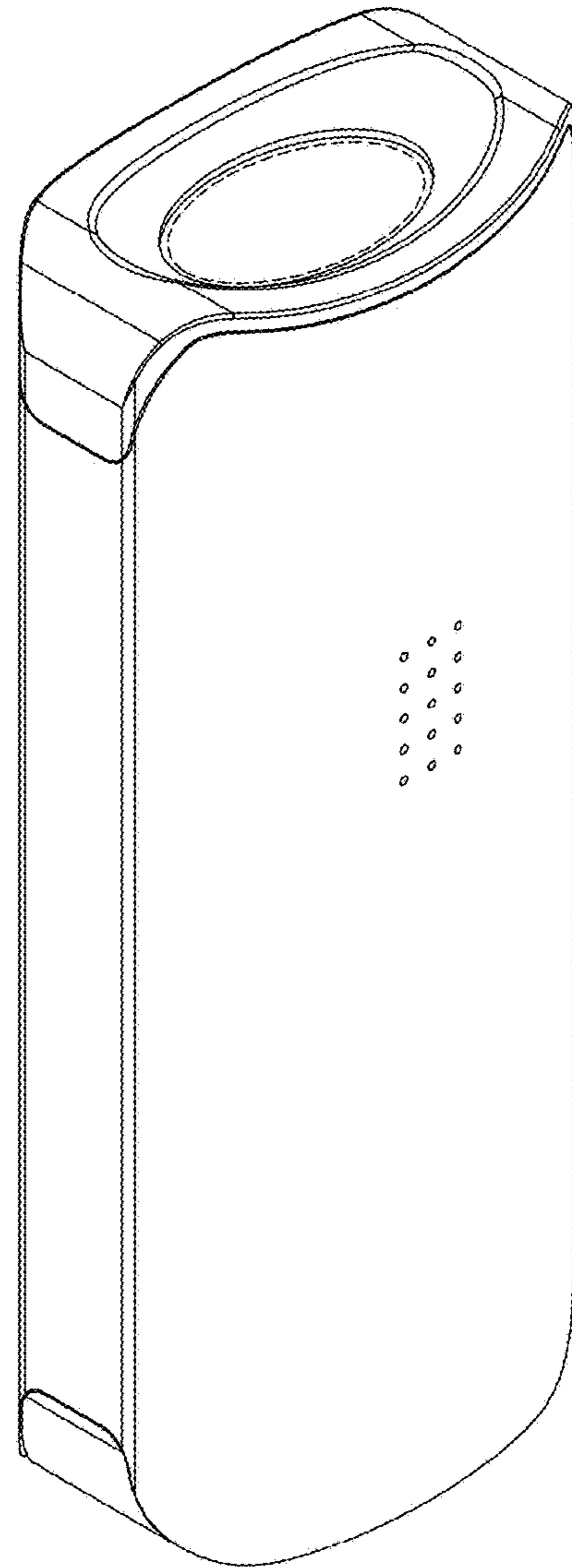


FIG. 10

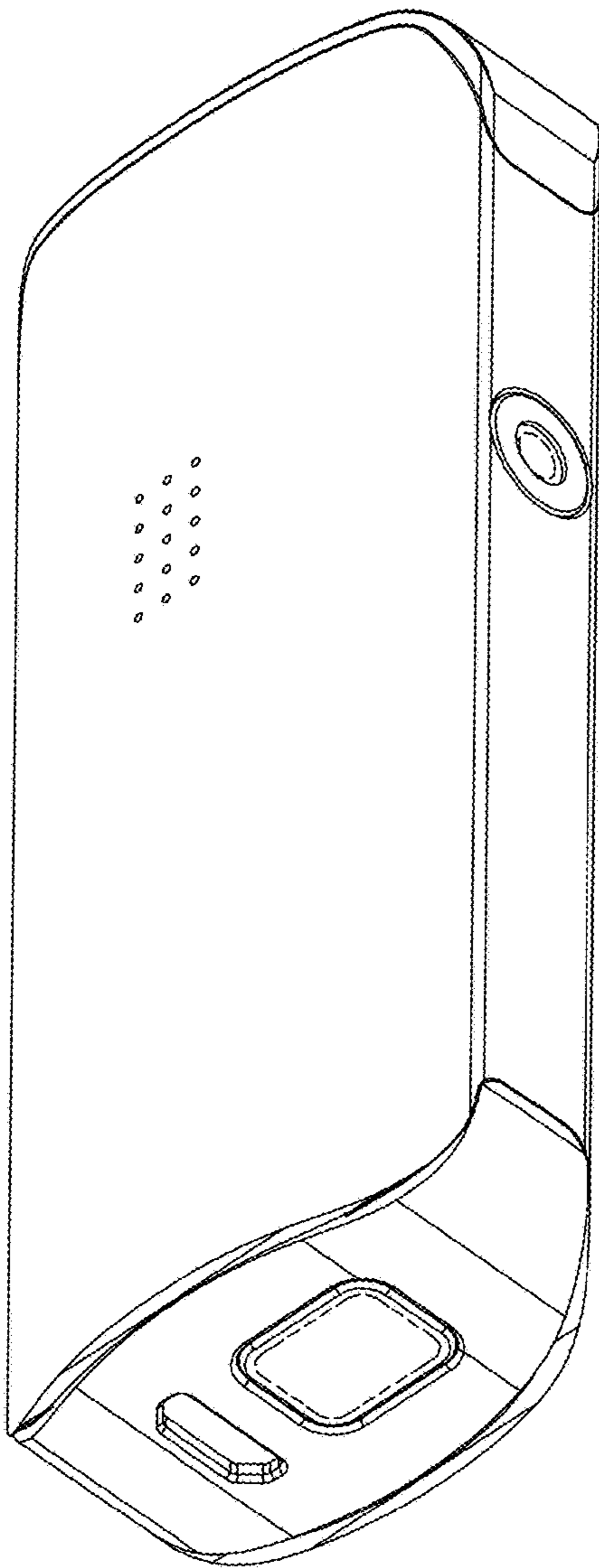


FIG. 11

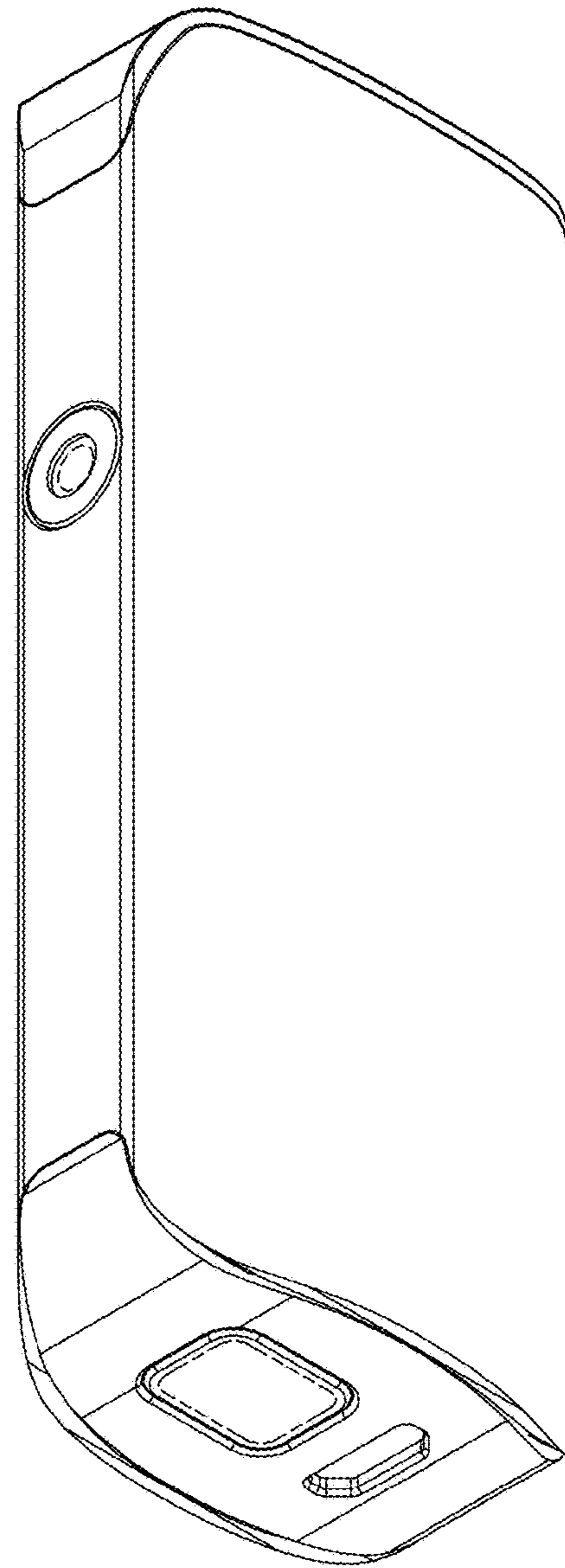


FIG. 12

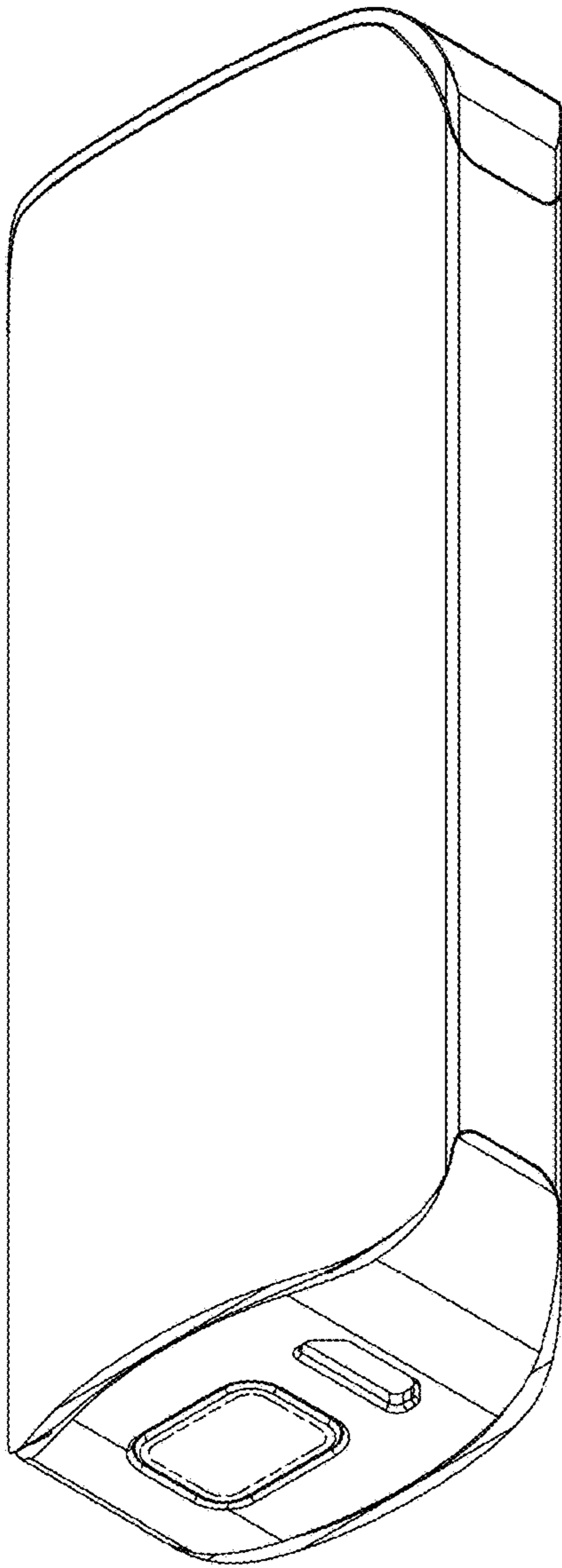


FIG. 13

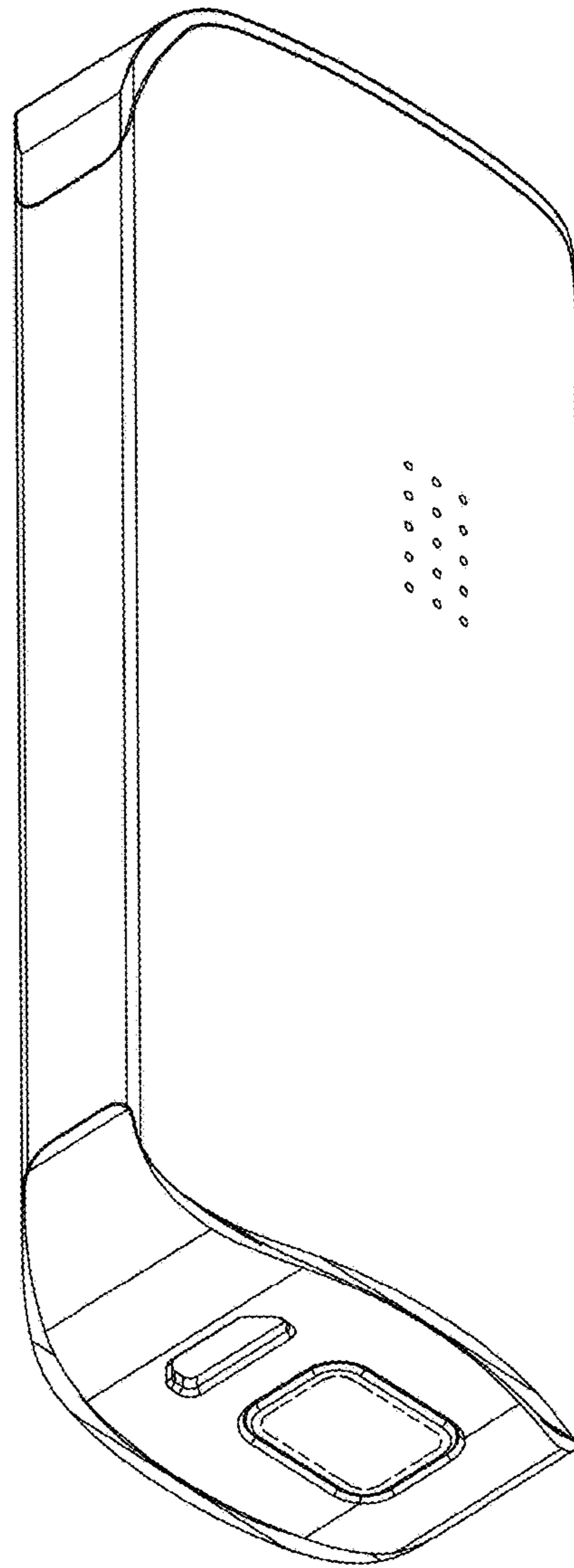


FIG. 14