



US00D854738S

(12) **United States Design Patent** (10) **Patent No.:** **US D854,738 S**
Kauss (45) **Date of Patent:** **** Jul. 23, 2019**

(54) **ELECTRONIC VAPORIZER**

OTHER PUBLICATIONS

(71) Applicant: **Altria Client Services LLC**,
Richmond, VA (US)

Notice of Allowance dated Apr. 3, 2018 issued in U.S. Appl. No. 29/614,142.

(72) Inventor: **Charles P. Kauss**, Atlanta, GA (US)

(Continued)

(73) Assignee: **Altria Client Services LLC**,
Richmond, VA (US)

Primary Examiner — Marissa J Cash

(74) *Attorney, Agent, or Firm* — Harness, Dickey & Pierce, P.L.C.

(**) Term: **15 Years**

(57) **CLAIM**

(21) Appl. No.: **29/572,798**

The ornamental design for an electronic vaporizer, as shown and described.

(22) Filed: **Jul. 29, 2016**

DESCRIPTION

(51) **LOC (11) Cl.** **27-02**

(52) **U.S. Cl.**
USPC **D27/162**

(58) **Field of Classification Search**
USPC D27/100, 101, 139–161, 162–196;
D24/110; D23/366; D3/273; D9/455,
D9/456
CPC A24F 15/00; A24F 9/16; A24F 47/002;
A24F 1/00

See application file for complete search history.

FIG. 1 is a perspective front view of an electronic vaporizer. FIG. 2 is a front view of the electronic vaporizer of FIG. 1. FIG. 3 is a rear view of the electronic vaporizer of FIG. 1. FIG. 4 is a right side view of the electronic vaporizer of FIG. 1.

FIG. 5 is a left side view of the electronic vaporizer of FIG. 1.

FIG. 6 is a top view of the electronic vaporizer of FIG. 1. FIG. 7 is a bottom view of the electronic vaporizer of FIG. 1.

FIG. 8 is a front perspective view of the electronic vaporizer of FIG. 1, shown assembled with a pod.

FIG. 9 is a front exploded view of the electronic vaporizer and pod assembly of FIG. 8.

FIG. 10 is a rear perspective view of the electronic vaporizer and pod assembly of FIG. 8; and,

FIG. 11 is a rear exploded view of the electronic vaporizer and pod assembly of FIG. 8.

In the drawings, the evenly-spaced broken lines show portions of the electronic vaporizer that form no part of the claimed design; the dash-dot-dash lines represent boundaries of the claims design and form no part thereof.

(56) **References Cited**

U.S. PATENT DOCUMENTS

D136,980 S *	1/1944	Hickman	D27/160
D191,251 S *	8/1961	Zackheim	D24/110
D231,708 S *	5/1974	Kenney	D27/160
D247,316 S *	2/1978	Beeson	D27/160
D262,662 S	1/1982	Stuetzer et al.		

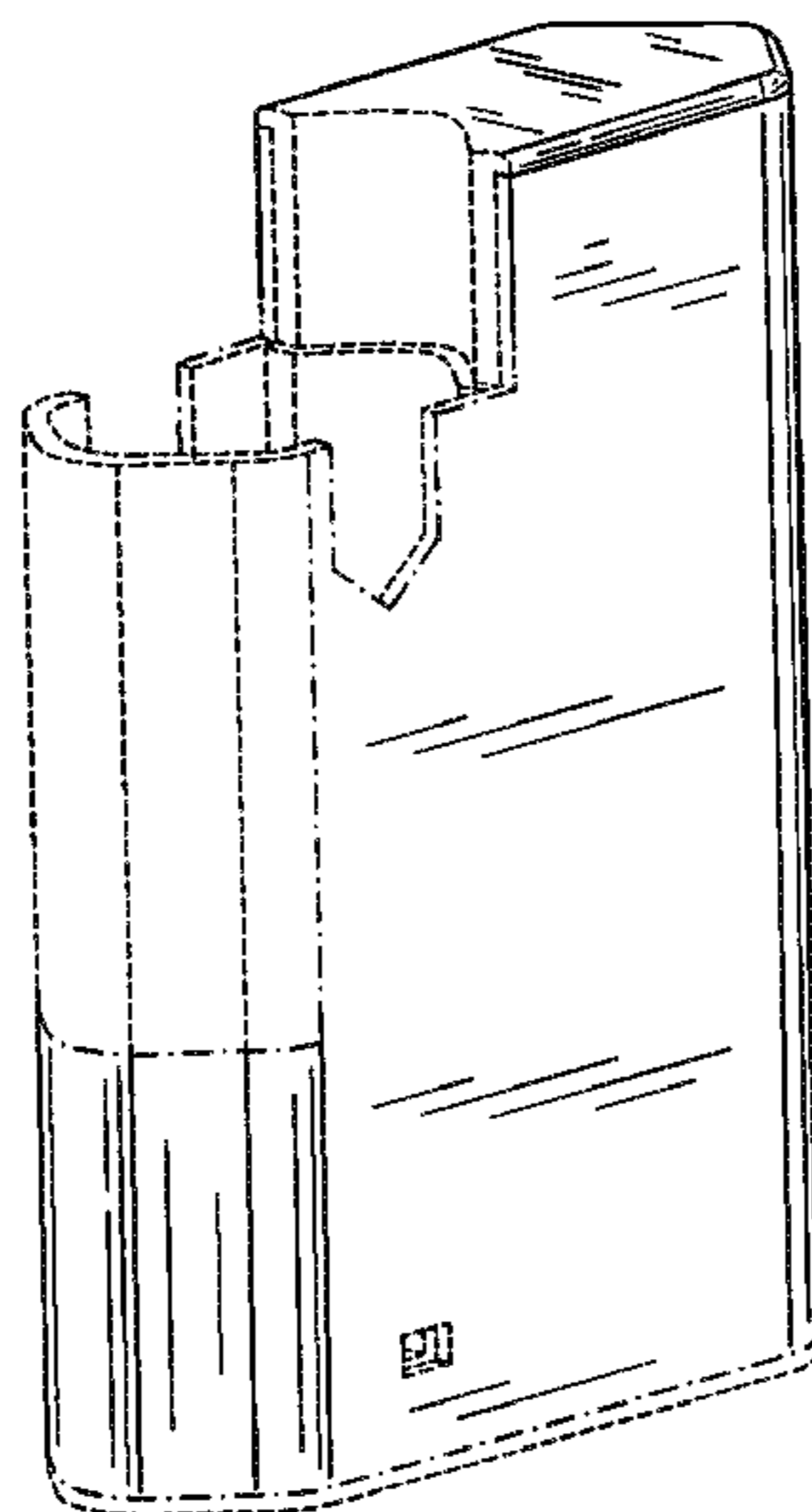
(Continued)

FOREIGN PATENT DOCUMENTS

CN	303897507 S	10/2016
CN	303961973 S	12/2016

(Continued)

1 Claim, 9 Drawing Sheets



(56)

References Cited

U.S. PATENT DOCUMENTS

4,486,169 A * 12/1984 Lewis F23Q 2/34
206/85
D299,066 S 12/1988 Newell et al.
4,993,435 A * 2/1991 McCann A24F 13/00
131/175
D323,292 S 1/1992 Jones
D347,490 S 5/1994 Gee et al.
D402,401 S * 12/1998 Duke D27/161
D422,113 S 3/2000 Higgins et al.
D470,529 S 2/2003 Tu
D492,061 S * 6/2004 Reynolds D27/143
D532,927 S 11/2006 Sann
D577,150 S * 9/2008 Bryman D27/163
D606,865 S 12/2009 Huntington et al.
D649,708 S * 11/2011 Oneil D27/163
D663,892 S * 7/2012 Arcos Bellvehi D27/172
D669,530 S 10/2012 Hung
D675,777 S 2/2013 Wu
D720,497 S 12/2014 Alima
D725,310 S 3/2015 Eksouzian
D725,821 S 3/2015 Levin et al.
D729,444 S * 5/2015 Leidel D27/163
D729,445 S * 5/2015 Leidel D27/163
D731,114 S * 6/2015 Leidel D27/163
D732,733 S 6/2015 Spagnolo et al.
D743,099 S * 11/2015 Oglesby D27/101
D750,320 S 2/2016 Verleur et al.
D752,280 S 3/2016 Verleur et al.
D753,336 S * 4/2016 Chen D27/101
D758,656 S * 6/2016 Freshwater D27/163
D760,429 S * 6/2016 Emarlou D27/163
D763,502 S 8/2016 Verleur et al.
D771,043 S 11/2016 Avetisov et al.
D771,867 S * 11/2016 Leidel D27/163
D772,477 S * 11/2016 Shin D27/163
D773,114 S * 11/2016 Leidel D27/163
D775,414 S * 12/2016 Ampolini D13/108
D775,762 S * 1/2017 Chen D27/101
D776,051 S * 1/2017 Wang D13/103
D776,337 S 1/2017 Levin et al.
D776,867 S 1/2017 Rado
D776,868 S 1/2017 Rado
D776,869 S 1/2017 Heidl
D778,492 S 2/2017 Liu
D779,115 S * 2/2017 Stoll D27/153
D779,719 S 2/2017 Qiu
D788,697 S * 6/2017 Verleur D13/103
D790,766 S * 6/2017 Li D27/163
D792,020 S * 7/2017 Mendoza D27/101
D792,642 S * 7/2017 Mendoza D27/101
D799,111 S * 10/2017 Qiu D27/101
D799,743 S * 10/2017 Qiu D27/101
D799,746 S * 10/2017 Leidel D27/163
D800,377 S * 10/2017 Liu D27/101
D801,507 S * 10/2017 Kelnhofner D23/366
D802,206 S * 11/2017 Huang D27/101
D805,028 S * 12/2017 Liu D13/103
D807,576 S * 1/2018 Liu D27/163
D809,190 S 1/2018 Schuler et al.
D809,191 S * 1/2018 Li D27/101

D813,447 S 3/2018 Watson
D814,693 S * 4/2018 Qiu D27/101
D818,636 S 5/2018 Qiu
D818,946 S * 5/2018 Liu D13/103
D819,263 S 5/2018 Zhu
9,961,940 B2 * 5/2018 Anderson, Jr. A61M 15/06
D819,880 S * 6/2018 Qiu D27/101
D819,881 S 6/2018 Qiu
D819,882 S * 6/2018 Qiu D27/101
9,986,764 B2 * 6/2018 Watson A24F 7/02
D822,271 S * 7/2018 Eksouzian D27/101
D822,896 S * 7/2018 Durand D27/101
D823,536 S * 7/2018 Lai D27/163
D824,093 S * 7/2018 Kauss D27/101
D824,094 S * 7/2018 Rein D27/141
D825,455 S * 8/2018 Liu D13/103
D828,621 S * 9/2018 Qiu D27/162
D828,622 S * 9/2018 Chen D27/162
D828,953 S * 9/2018 Chen D27/167
D831,270 S * 10/2018 Qiu D27/162
D832,501 S * 10/2018 Qiu D27/162
D832,504 S * 10/2018 Qiu D27/163
D833,063 S * 11/2018 Qiu D27/101
D834,246 S * 11/2018 Qiu D27/162
D834,744 S * 11/2018 Zhu D27/101
10,130,122 B2 * 11/2018 Anderson, Jr. ... A61M 15/0065
D835,840 S * 12/2018 Liu D27/162
2009/0283103 A1 * 11/2009 Nielsen A24F 1/30
131/273
2013/0068239 A1 3/2013 Youn
2014/0041655 A1 2/2014 Barron et al.
2015/0034104 A1 2/2015 Zhou
2015/0150305 A1 6/2015 Shenkal
2016/0166786 A1 6/2016 Kinzer
2016/0331912 A1 * 11/2016 Trzeczieski A61M 11/042
2018/0116281 A1 * 5/2018 Anderson, Jr. ... A61M 15/0065
2018/0153219 A1 * 6/2018 Verleur A24F 47/008

FOREIGN PATENT DOCUMENTS

CN 303961976 S 12/2016
CN 303961987 12/2016

OTHER PUBLICATIONS

<https://www.juulvapor.com/shop-juul/>, 2016, believed to be publicly available as early as Aug. 5, 2016.
<http://shop.vonerl.com/en/liquids/my.>, believed to be publicly available as early as Apr. 27, 2016.
Notice of Allowance dated Jul. 25, 2017 issued in U.S. Appl. No. 29/572,791.
Notice of Allowance dated Oct. 25, 2017 issued in U.S. Appl. No. 29/572,791.
Notice of Allowance dated Mar. 7, 2018 issued in U.S. Appl. No. 29/572,791.
United States Office Action for corresponding U.S. Appl. No. 29/572,800 dated Jul. 27, 2018.
United States Notice of Allowance issued in U.S. Appl. No. 29/572,800 dated Oct. 24, 2018.

* cited by examiner

FIG. 1

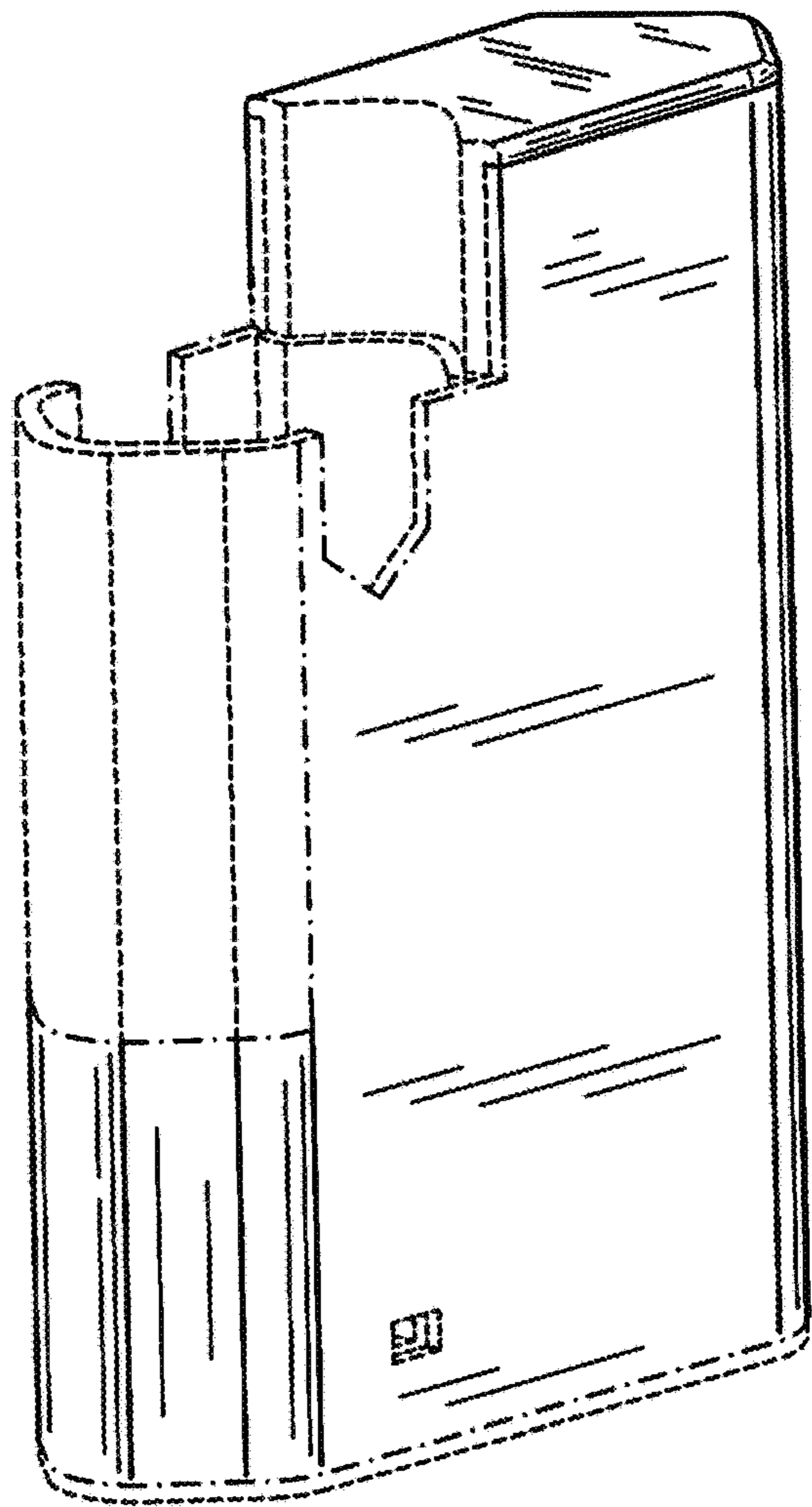


FIG. 2

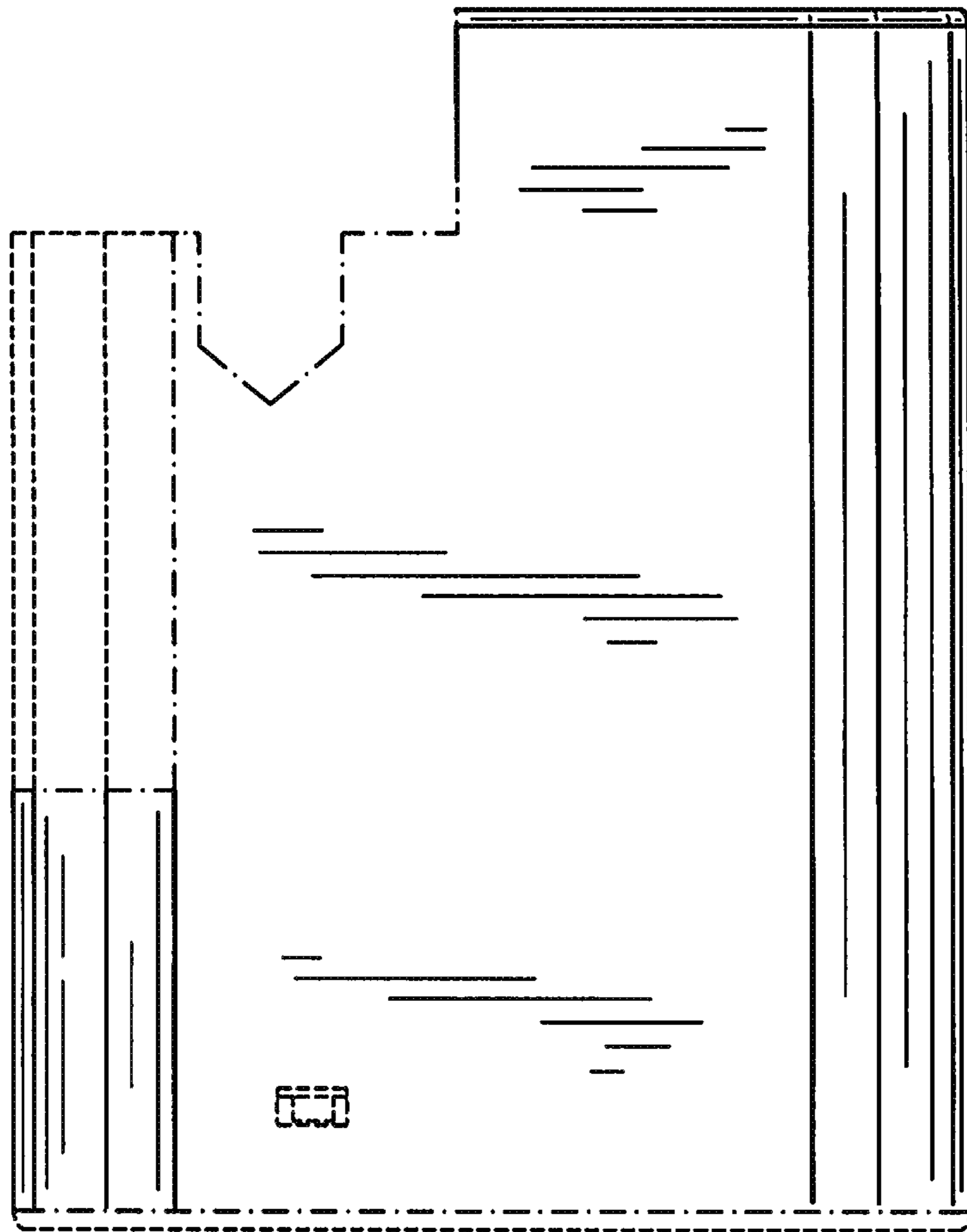


FIG. 3

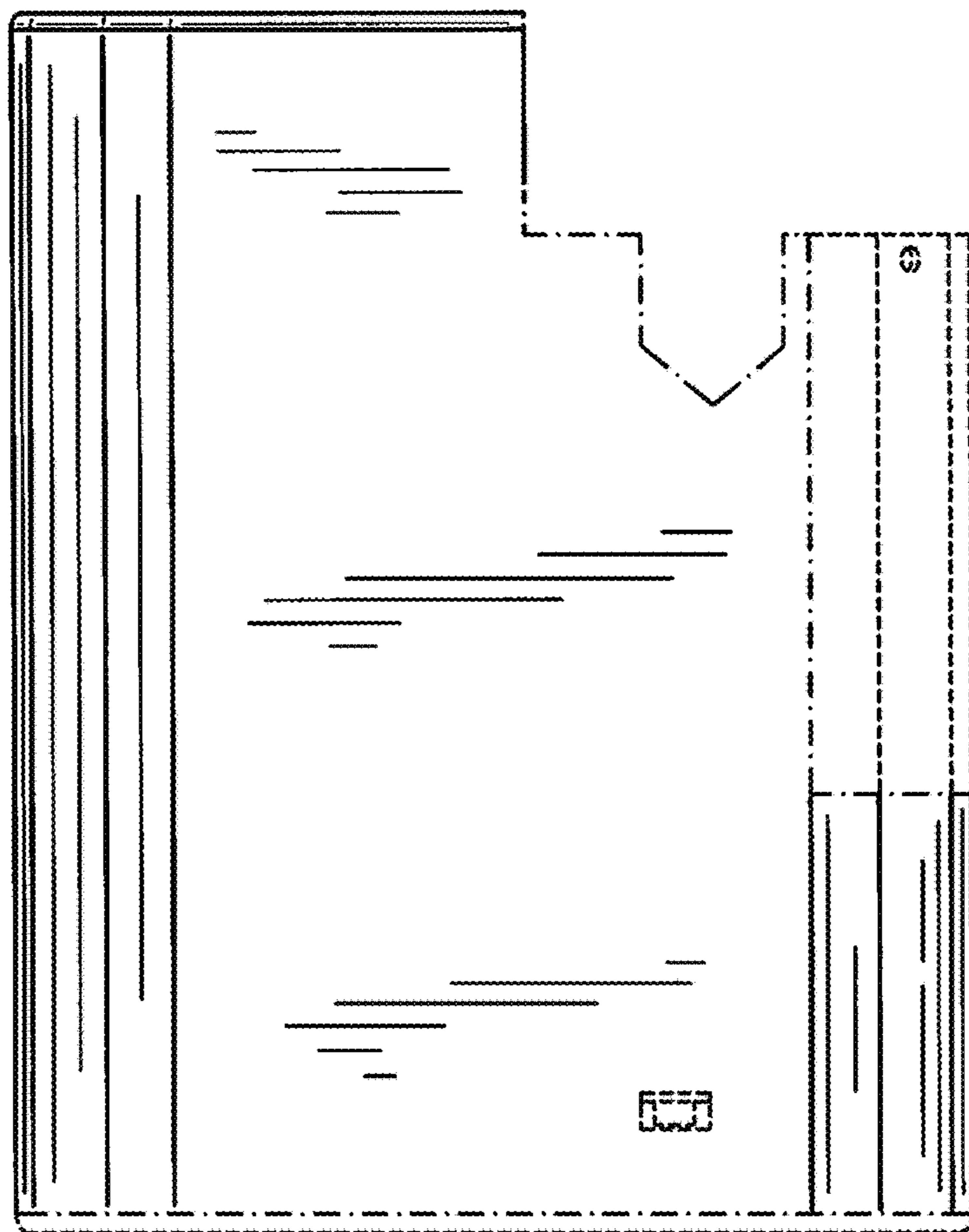


FIG. 4

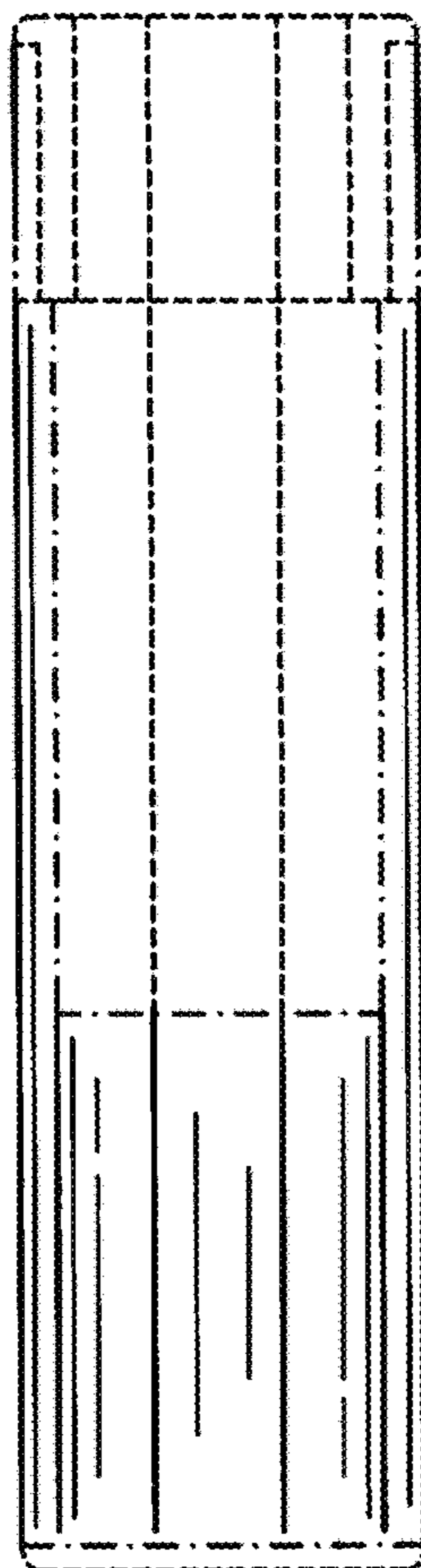


FIG. 5

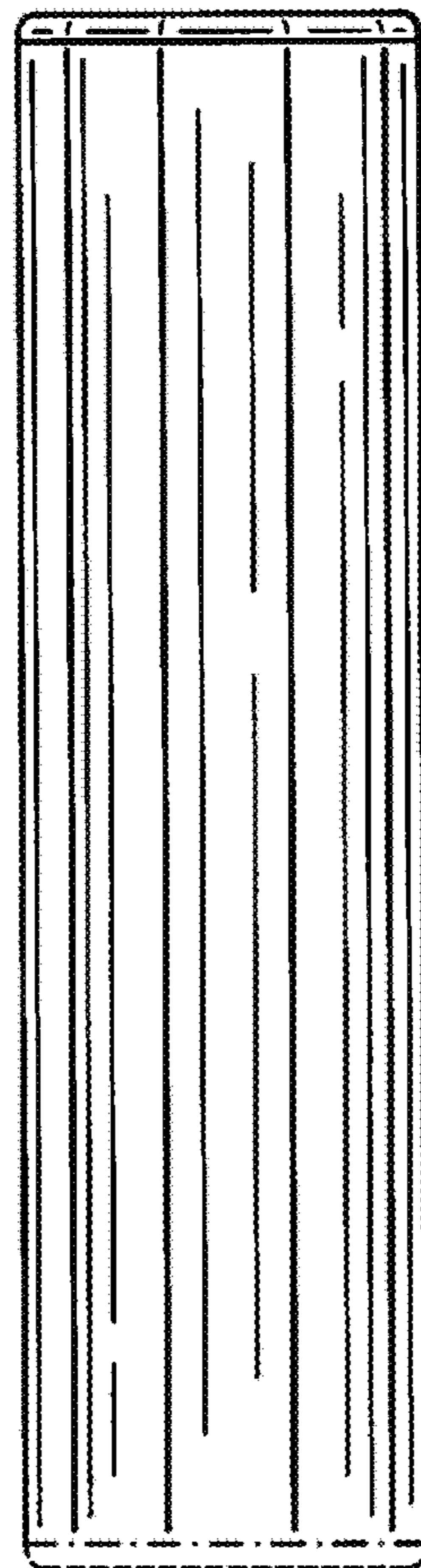


FIG. 6

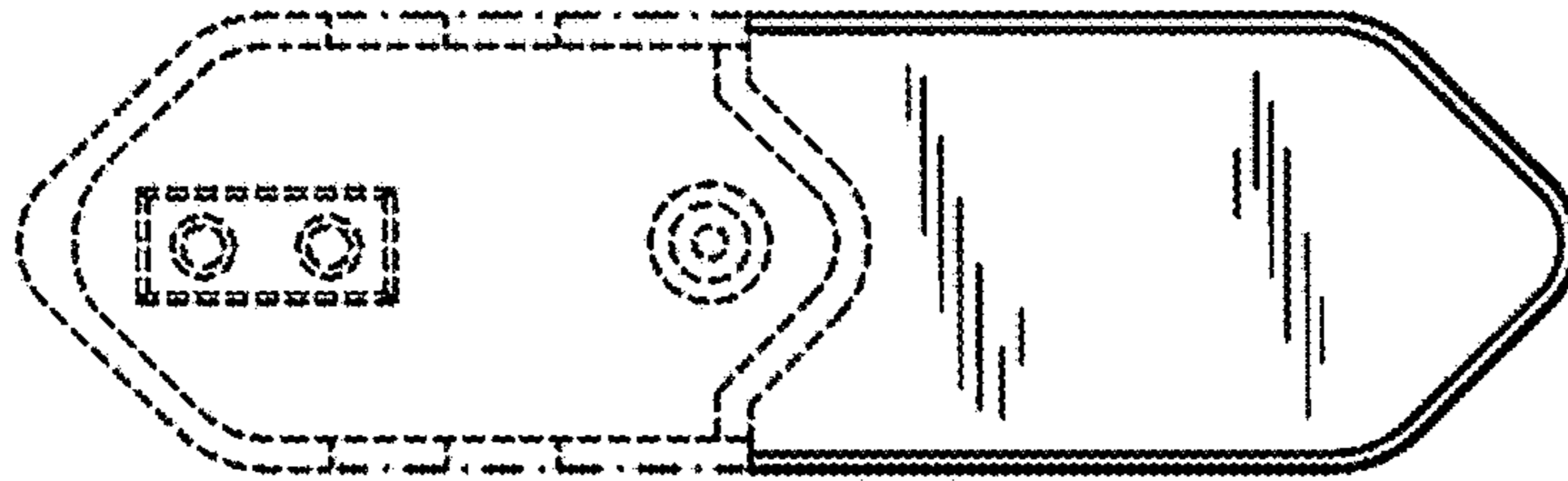


FIG. 7

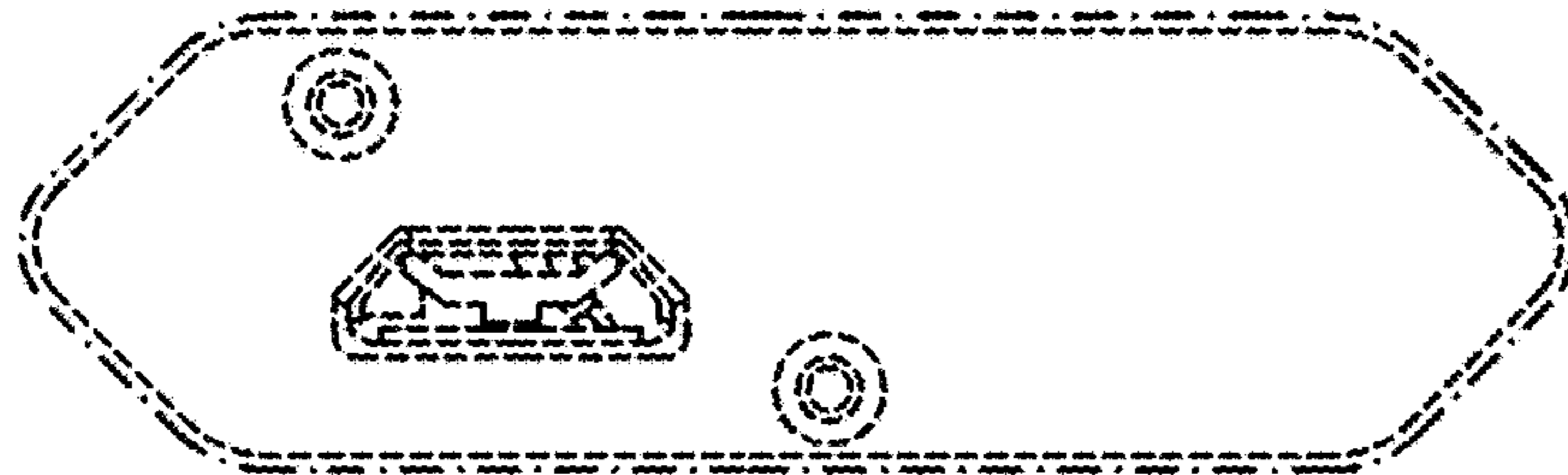


FIG. 8

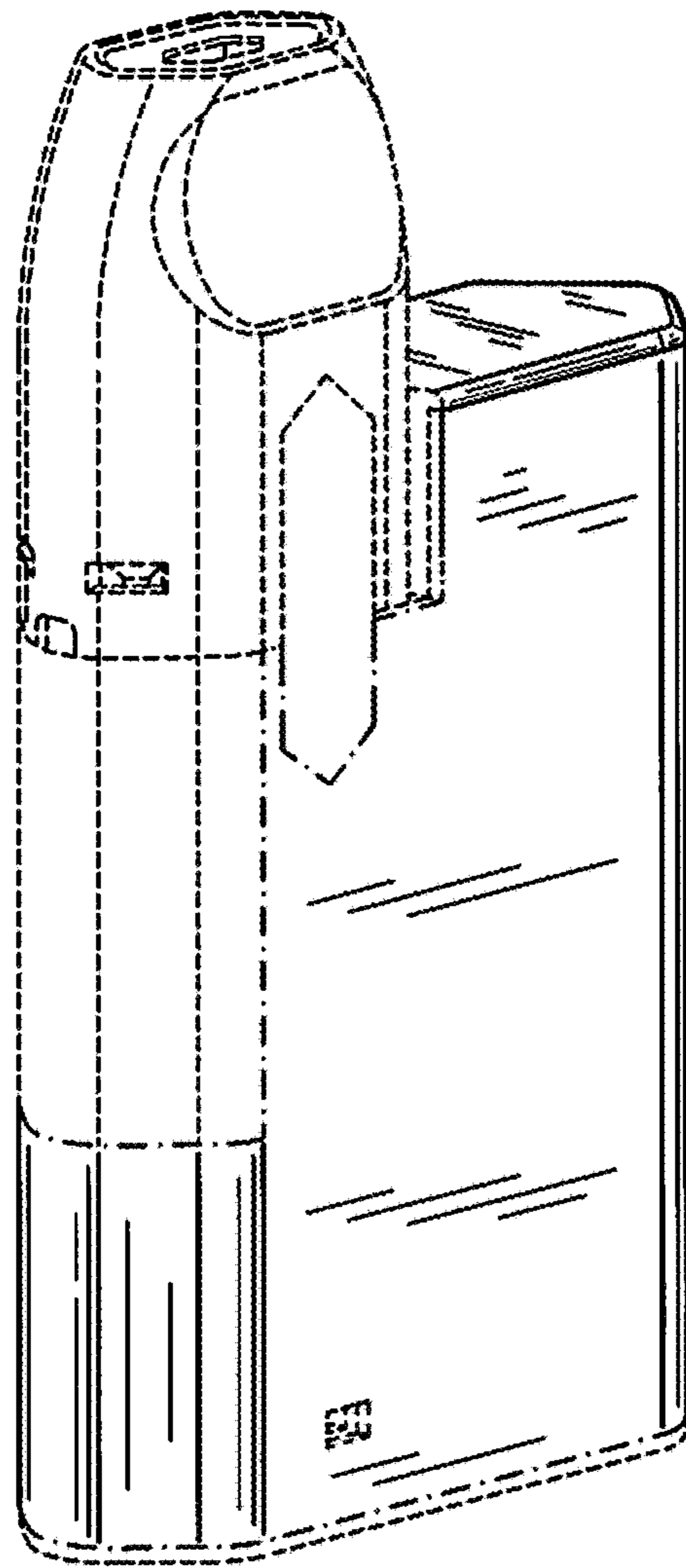


FIG. 9

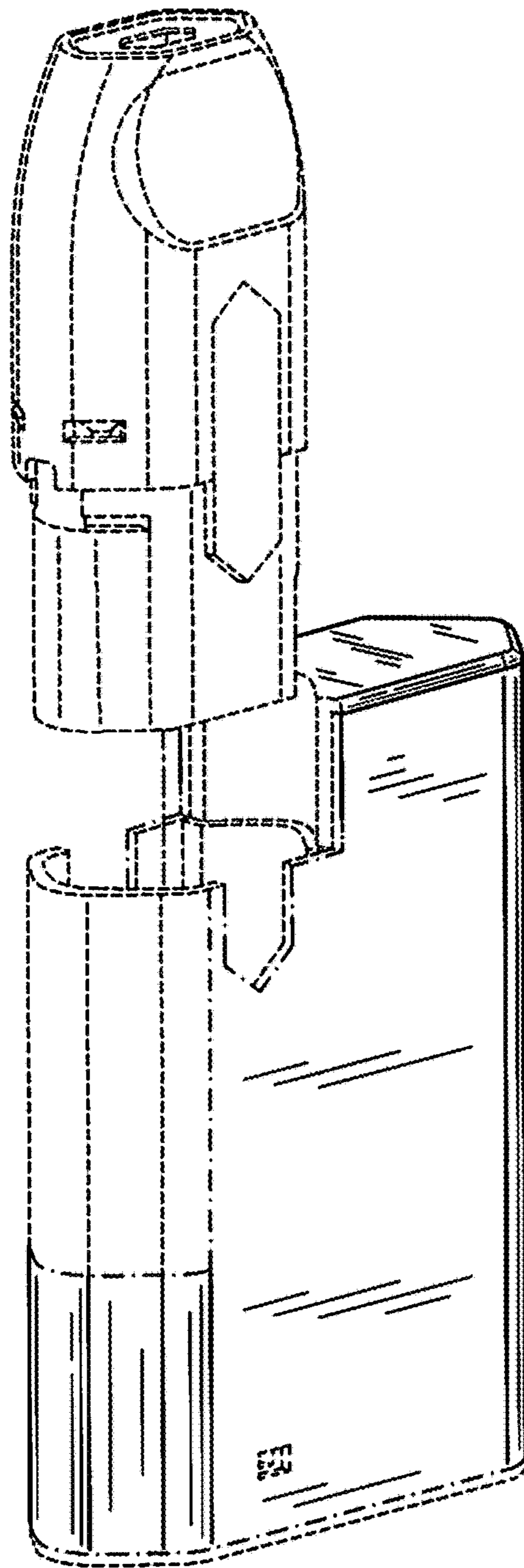


FIG. 10

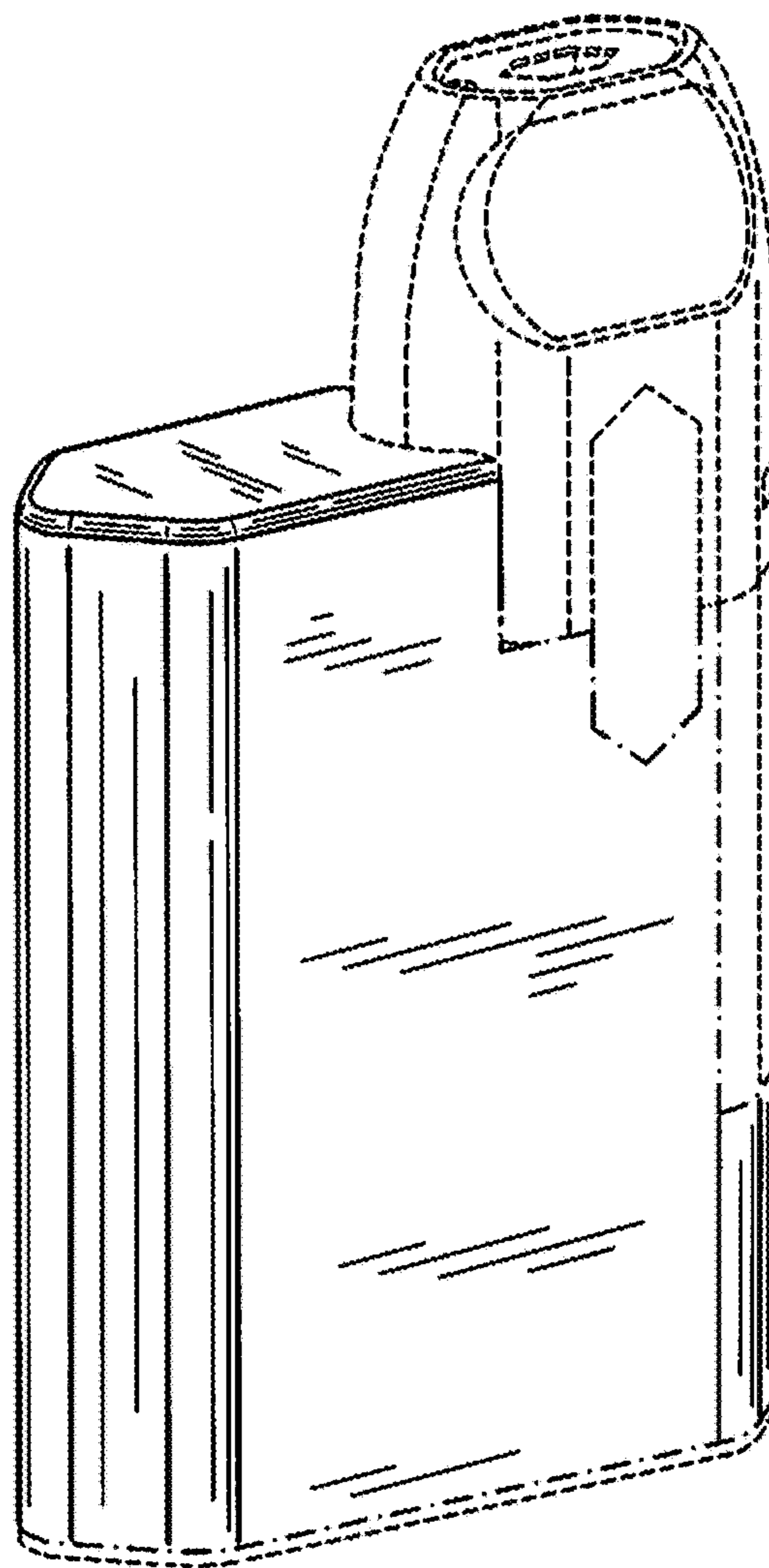


FIG. 11

