



US00D854736S

(12) **United States Design Patent** (10) **Patent No.:** **US D854,736 S**  
**Moore** (45) **Date of Patent:** **\*\* Jul. 23, 2019**

- (54) **APERTURE INSERT COMPONENT**
- (71) Applicant: **Teclite Industries Limited**, Parnell, Auckland (NZ)
- (72) Inventor: **Brian Leonard Moore**, Remuera (NZ)
- (73) Assignee: **Teclite Industries Limited**, Auckland (NZ)
- (\*\*) Term: **15 Years**
- (21) Appl. No.: **29/621,224**
- (22) Filed: **Oct. 5, 2017**

**Related U.S. Application Data**

- (62) Division of application No. 29/569,026, filed on Jun. 23, 2016.

(30) **Foreign Application Priority Data**

Dec. 24, 2015 (NZ) ..... 421079

- (51) **LOC (11) Cl.** ..... **26-05**

- (52) **U.S. Cl.**  
USPC ..... **D26/124**

(58) **Field of Classification Search**

USPC ..... D8/353, 356, 363, 366, 371, 373, 380, D8/381, 354; D13/154; D12/420, 423; D23/229, 261, 268; D26/113, 118, 119, D26/120, 123, 124

CPC ..... A47B 87/00; A47B 96/02; A47B 96/06; A47B 57/06; A47B 87/005; A47B 57/34; A47B 96/021; A47B 96/061; A47B 21/02; A47B 2097/005; A47B 2097/006; B63B 22/00; F16B 37/02; F16B 5/00; F21V 21/02; F21S 8/00; F21S 10/06; F21S 8/02; F21S 8/04; G10K 1/26; G10K 1/28; G10K 9/22; H02G 1/00; G06F 1/1607; G06F 3/1446; F16L 3/00

See application file for complete search history.

(56) **References Cited**

U.S. PATENT DOCUMENTS

1,307,746 A 6/1919 May  
 D99,105 S \* 3/1936 Arenberg ..... D26/124  
 2,166,646 A 7/1939 Sibbert  
 (Continued)

OTHER PUBLICATIONS

Reverse Mounted Nikon 18-55mm lens for Macro Photography, posted May 17, 2016, [retrieved May 18, 2018]. Retrieved from Internet, <URL: <http://www.macrophotobug.com/reverse-mounted-nikon-18-55mm-macro-photography/> >.\*

(Continued)

*Primary Examiner* — Karen E Kearney

*Assistant Examiner* — Kristin E Reed

(74) *Attorney, Agent, or Firm* — Foley & Lardner LLP

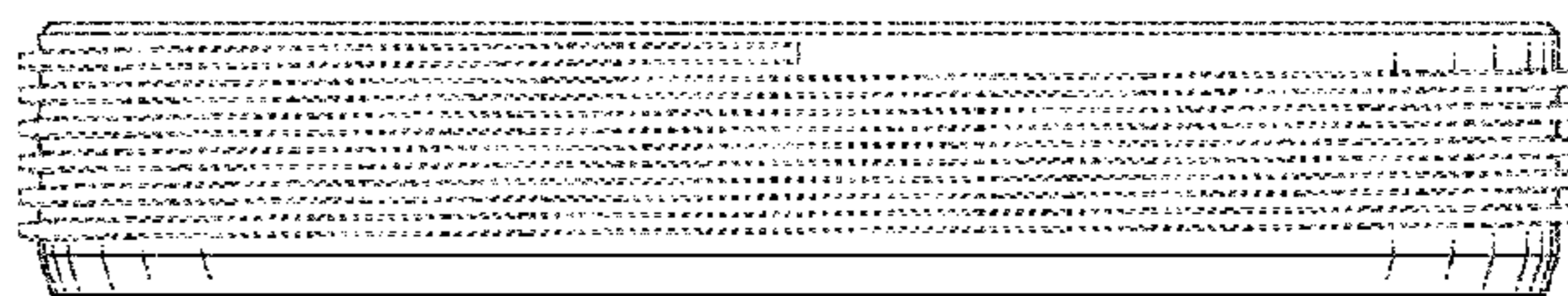
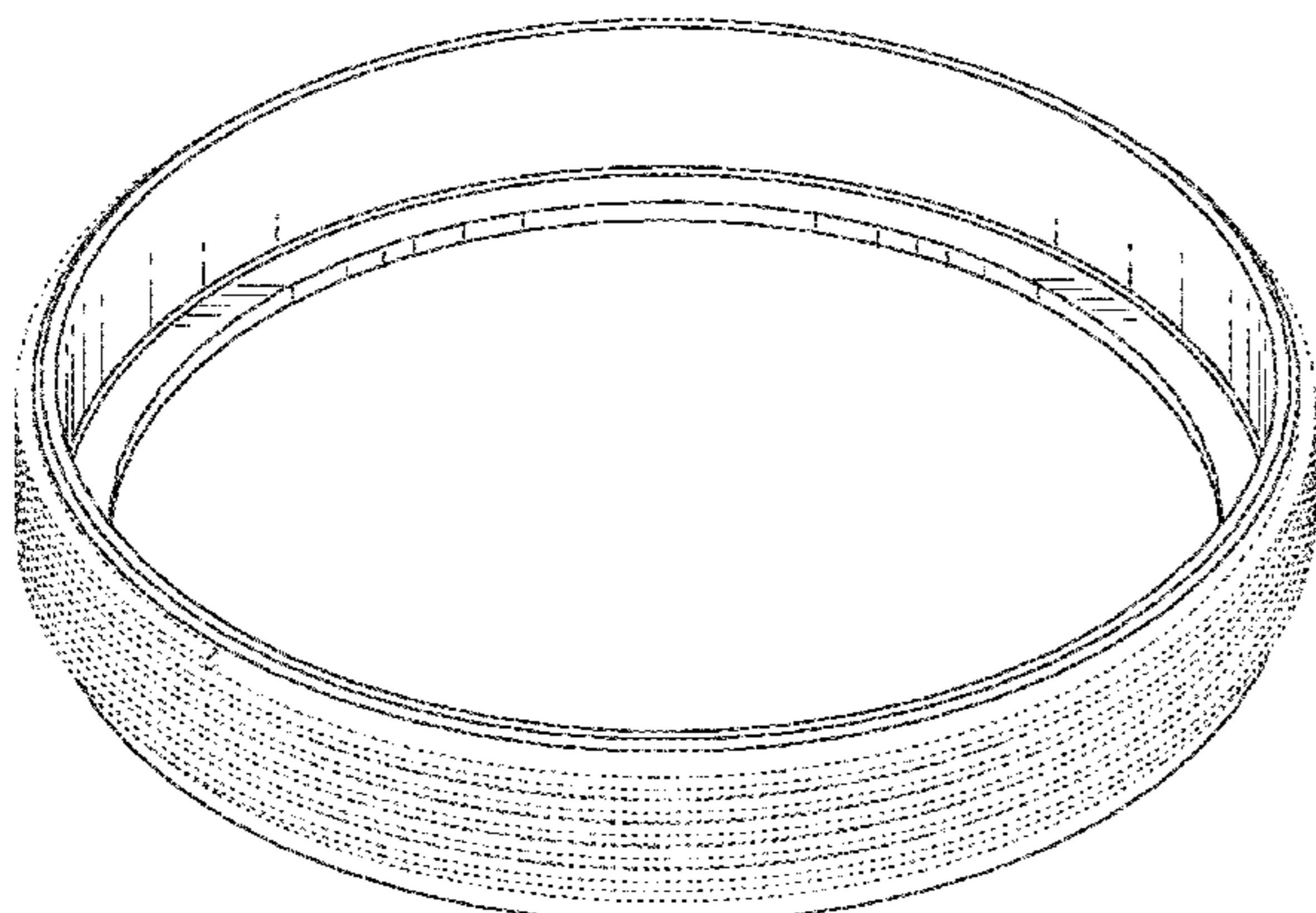
(57) **CLAIM**

I claim the ornamental design for an aperture insert component, as shown and described.

**DESCRIPTION**

FIG. 1 is a top perspective view of an aperture insert component showing my new design;  
 FIG. 2 is a bottom perspective view of the claimed design of FIG. 1;  
 FIG. 3 is a top view of the claimed design of FIG. 1;  
 FIG. 4 is a bottom view of the claimed design of FIG. 1;  
 FIG. 5 is a front view of the claimed design of FIG. 1;  
 FIG. 6 is a left side view of the claimed design of FIG. 1;  
 and,  
 FIG. 7 is a right side view of the claimed design of FIG. 1.  
 The dashed broken lines shown in the drawings depict portions of the aperture insert component that form no part of the claimed design.

**1 Claim, 7 Drawing Sheets**



(56)

References Cited

U.S. PATENT DOCUMENTS

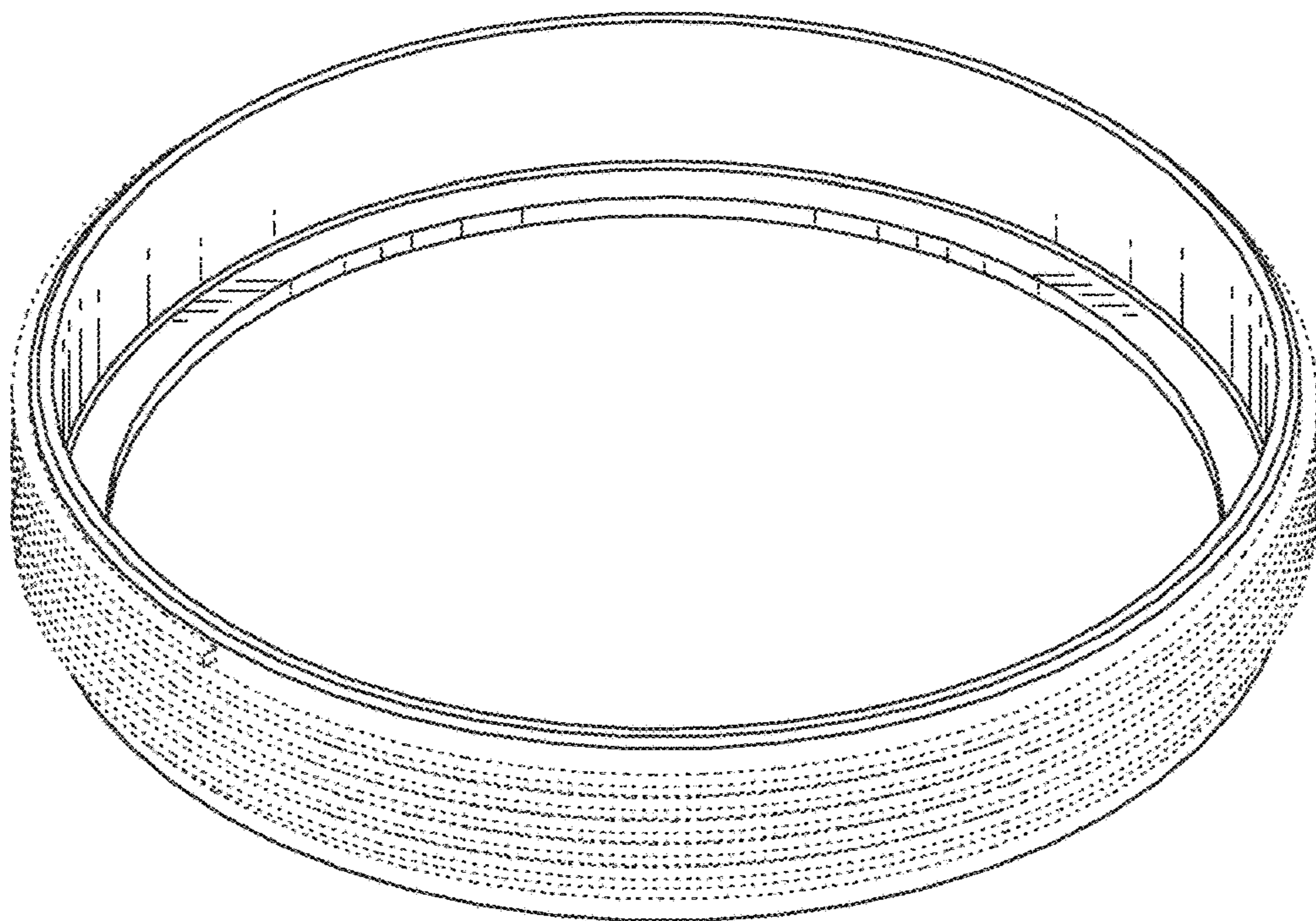
D261,418 S \* 10/1981 Jackson ..... D23/261  
 4,562,851 A 1/1986 Frank  
 4,901,523 A 2/1990 Huelster  
 5,097,400 A 3/1992 Cvek  
 5,098,117 A 3/1992 Specktor et al.  
 5,293,688 A \* 3/1994 Koch ..... F16C 19/30  
 29/898.041  
 5,318,230 A \* 6/1994 Ferguson ..... E03C 1/2665  
 241/46.13  
 5,383,644 A 1/1995 Huse  
 5,486,988 A 1/1996 Tyson  
 D372,662 S 8/1996 Atkinson  
 D402,354 S \* 12/1998 Strong ..... D23/259  
 5,909,955 A \* 6/1999 Roorda ..... F21S 8/04  
 362/368  
 D427,368 S 6/2000 Kelmelis et al.  
 D437,654 S 2/2001 Chen  
 6,431,722 B1 8/2002 Benensohn  
 6,435,691 B1 \* 8/2002 Macey ..... F21S 8/024  
 362/101  
 D467,372 S 12/2002 Lee  
 D482,485 S 11/2003 Benghozi  
 D483,902 S 12/2003 Peters  
 D488,252 S \* 4/2004 Benghozi ..... D26/118  
 6,733,045 B2 \* 5/2004 Harrington ..... F16L 37/252  
 285/143.1  
 D495,087 S 8/2004 Brown et al.  
 6,877,520 B2 4/2005 Morris  
 6,964,634 B2 11/2005 Wojtkiewicz et al.

6,979,107 B1 12/2005 Benensohn  
 D636,117 S 4/2011 Kim et al.  
 8,087,874 B2 1/2012 Jardine et al.  
 8,297,560 B2 \* 10/2012 Hung ..... F16L 3/015  
 174/95  
 8,408,728 B2 \* 4/2013 Fuentes ..... F21V 33/004  
 362/234  
 8,424,123 B2 4/2013 Svensson  
 9,139,990 B2 \* 9/2015 Bennage ..... B02C 23/36  
 D754,829 S 4/2016 Krombein  
 D767,815 S 9/2016 Lee  
 9,816,674 B2 \* 11/2017 Elmvang ..... F21S 8/026  
 D808,248 S \* 1/2018 Krombein ..... D8/354  
 2003/0151925 A1 8/2003 Crunk

OTHER PUBLICATIONS

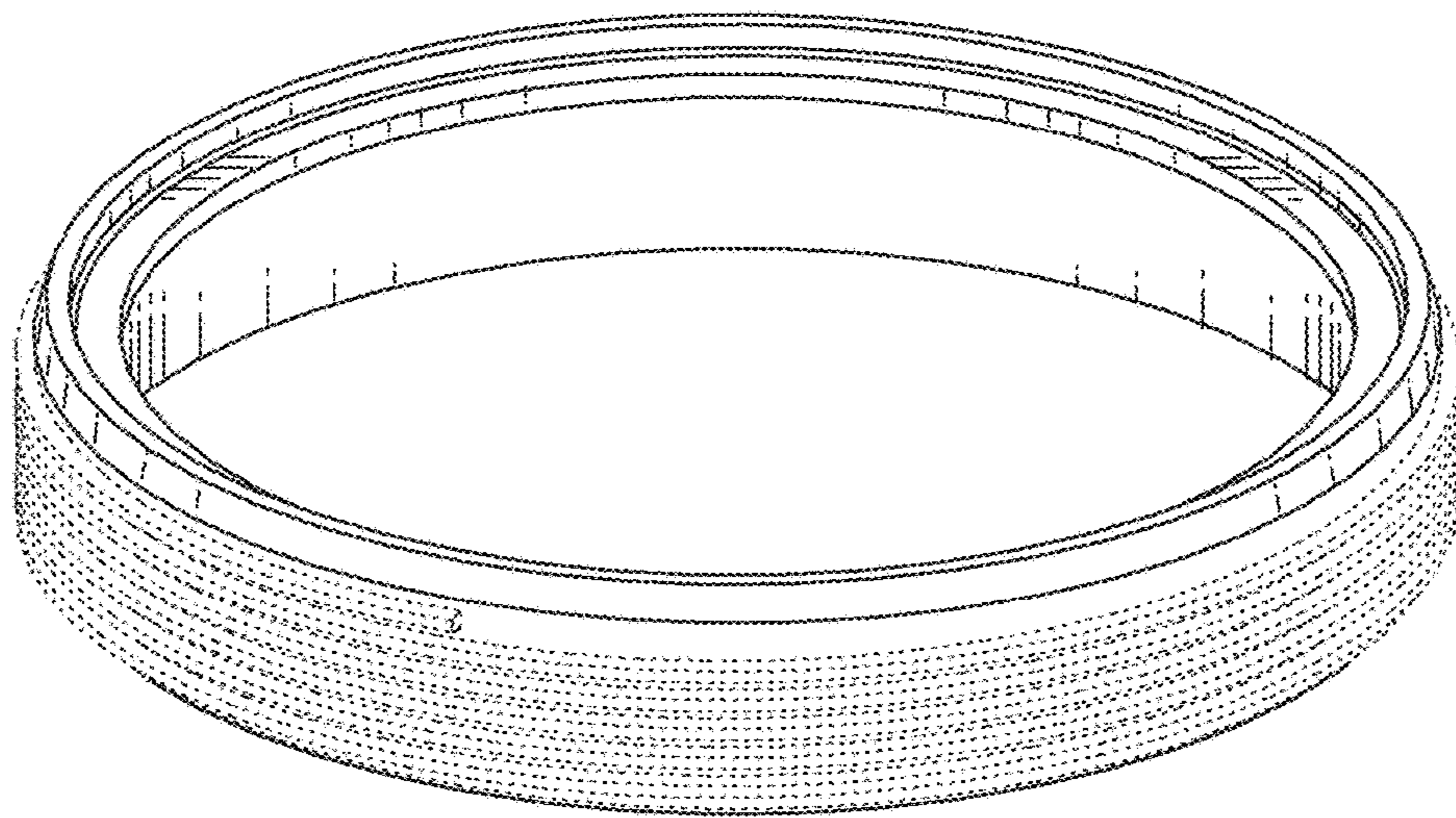
Olympus Lens UW Macro PTMC-01, posted Jun. 17, 2003, [retrieved May 18, 2018]. Retrieved from Internet, <URL: <https://www.amazon.com/Olympus-LENS-UW-MACRO-PTMC-01/dp/B0009VWYNQ>>.\*  
 Canon Lens Hood ET-65III for Canon EF 85mm f/1.8 USM—Black, posted unknown, [retrieved May 18, 2018]. Retrieved from Internet, <URL: <https://www.daraz.pk/canon-lens-hood-et-65iii-for-canon-ef-85mm-f1.8-usm-black-7878412.html>>.\*  
 GE + Garbage Disposal > GE Garbage Disposal Parts > Sink Flange, posted Jan. 9, 2016, [retrieved May 18, 2018]. Retrieved from Internet, <URL: <http://www.appliancepartspros.com/ge-sink-flange-wc15x10003-ap5646624.html>>.\*  
 Lensbaby Soft Focus Optic, posted Dec. 24, 2009, [retrieved Apr. 23, 2018].

\* cited by examiner

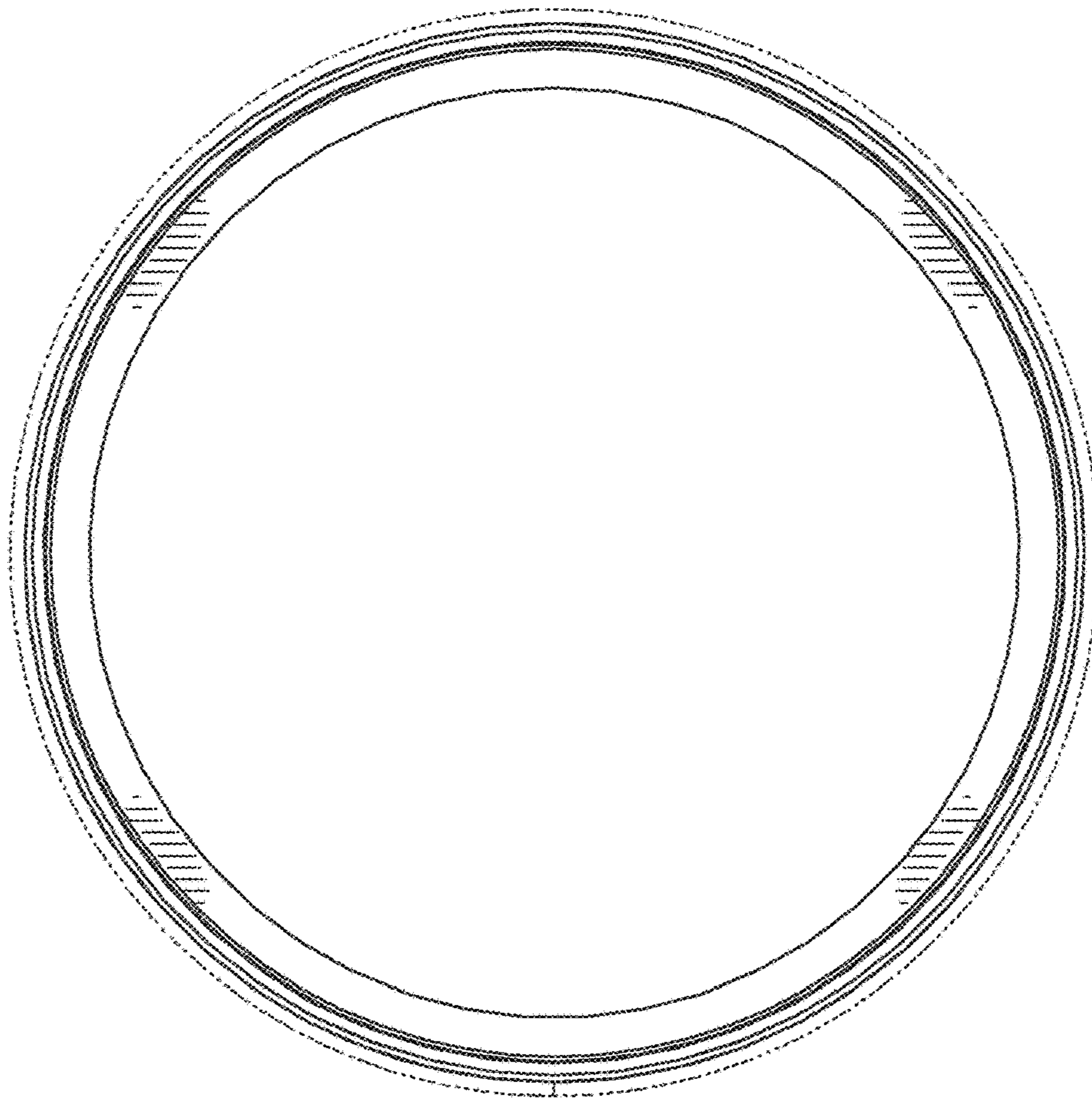


***FIGURE 1***

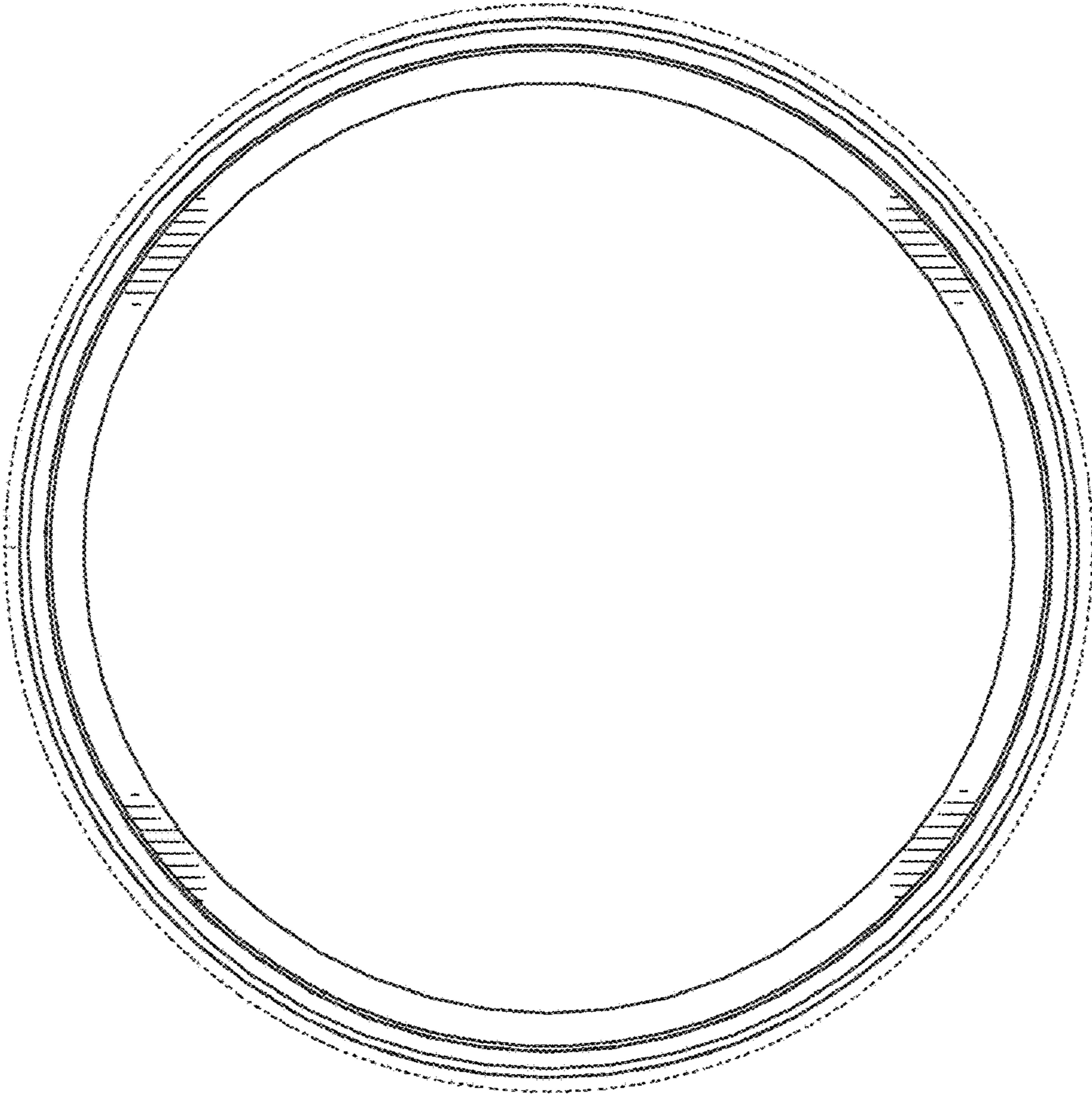




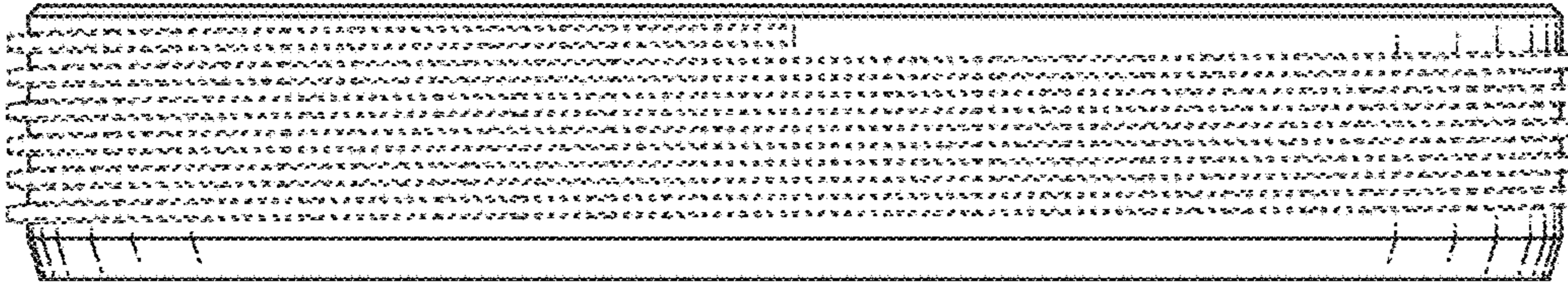
**FIGURE 2**



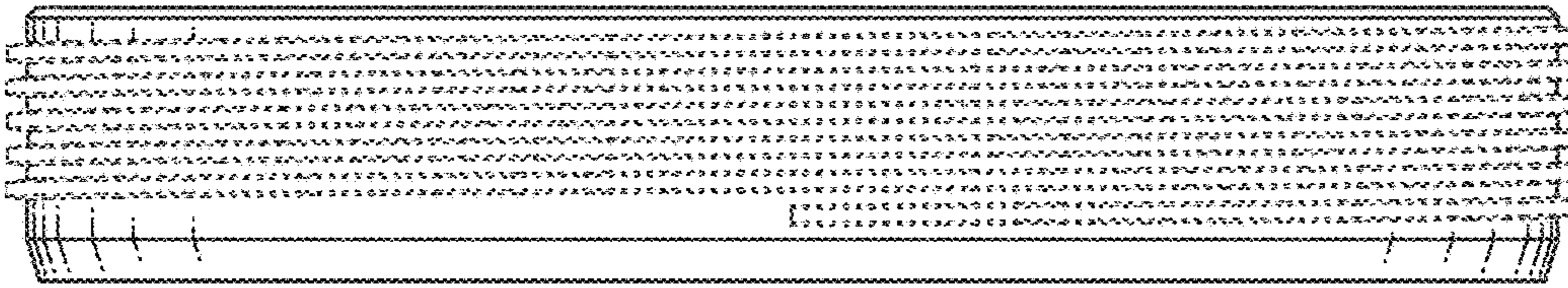
**FIGURE 3**



**FIGURE 4**

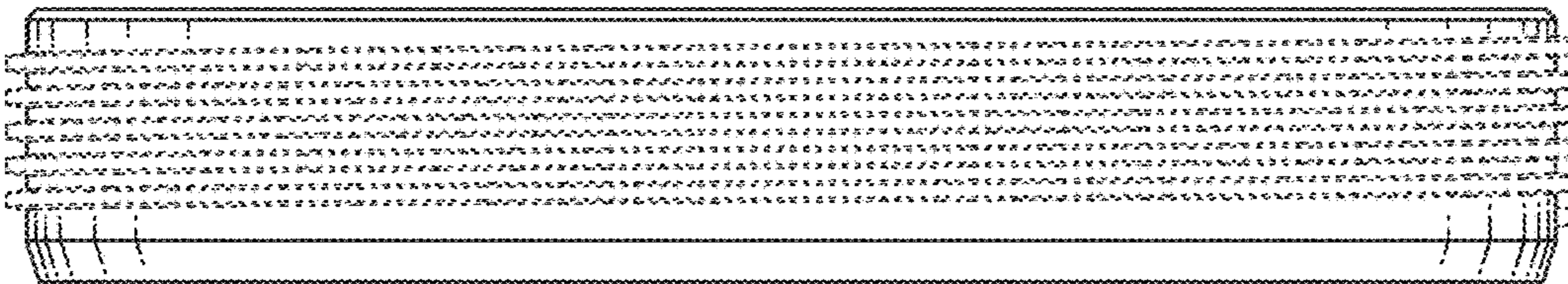


**FIGURE 5**



**FIGURE 6**





**FIGURE 7**