



US00D854733S

(12) **United States Design Patent** (10) **Patent No.:** **US D854,733 S**
Van Roosmalen (45) **Date of Patent:** **** Jul. 23, 2019**

(54) **TASKLIGHT LUMINAIRE**

(56) **References Cited**

(71) Applicant: **SIGNIFY HOLDING B.V.**, Eindhoven (NL)

U.S. PATENT DOCUMENTS

(72) Inventor: **Jozef Willebrordus Van Roosmalen**, Rotterdam (NL)

D300,876 S *	4/1989	Sakai	D26/107
D387,459 S *	12/1997	Cool	D26/106
D451,627 S *	12/2001	Dolan	D26/106
D468,854 S *	1/2003	Chen	D26/93
D645,185 S *	9/2011	Chen	D26/63
D703,361 S *	4/2014	Kondou	D26/109
D731,699 S *	6/2015	Fishman	D26/106

(73) Assignee: **SIGNIFY HOLDING B.V.**, Eindhoven (NL)

* cited by examiner

(**) Term: **15 Years**

Primary Examiner — Brian N. Vinson

(21) Appl. No.: **29/640,371**

(22) Filed: **Mar. 14, 2018**

(57) **CLAIM**

The ornamental design for a “tasklight luminaire”, as shown and described.

(30) **Foreign Application Priority Data**

Sep. 19, 2017 (EM) 004361889-0001

DESCRIPTION

(51) **LOC (11) Cl.** **26-03**

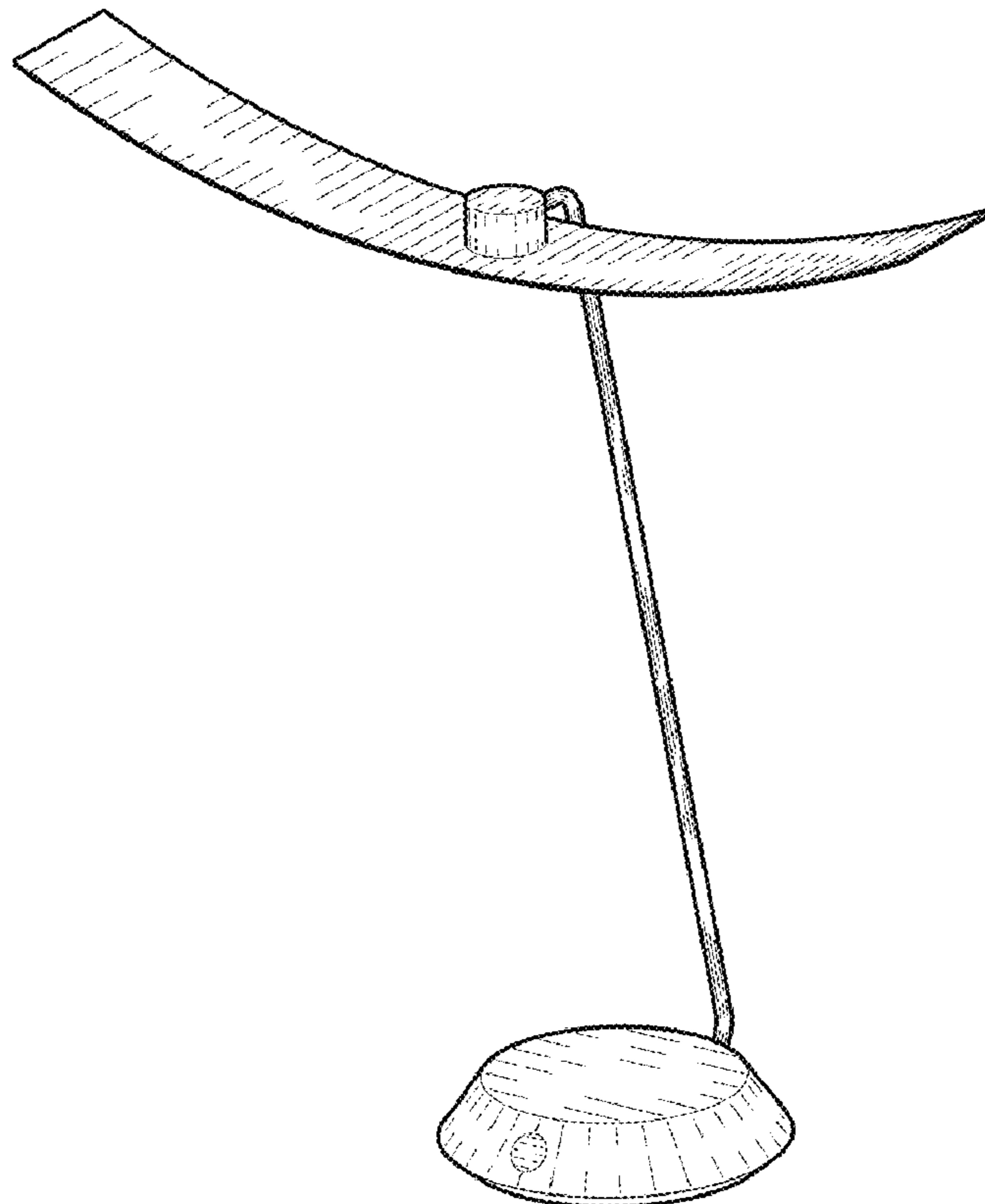
(52) **U.S. Cl.**
USPC **D26/106**

(58) **Field of Classification Search**
USPC D26/1, 24, 93, 104, 106, 110, 112, 82,
D26/88, 120, 128; D11/143
CPC F21S 6/00; F21S 6/002; F21S 6/004; F21S
6/006; F21S 8/00; F21S 10/00; F21V
21/02; F21W 2131/30; F21Y 2105/00

FIG. 1 is a perspective view showing my design;
FIG. 2 is a front elevational view thereof;
FIG. 3 is a rear elevational view thereof;
FIG. 4 is a right side elevational view thereof;
FIG. 5 is a left side elevational view thereof;
FIG. 6 is a top plan view thereof; and,
FIG. 7 is a bottom plan view thereof.

See application file for complete search history.

1 Claim, 5 Drawing Sheets



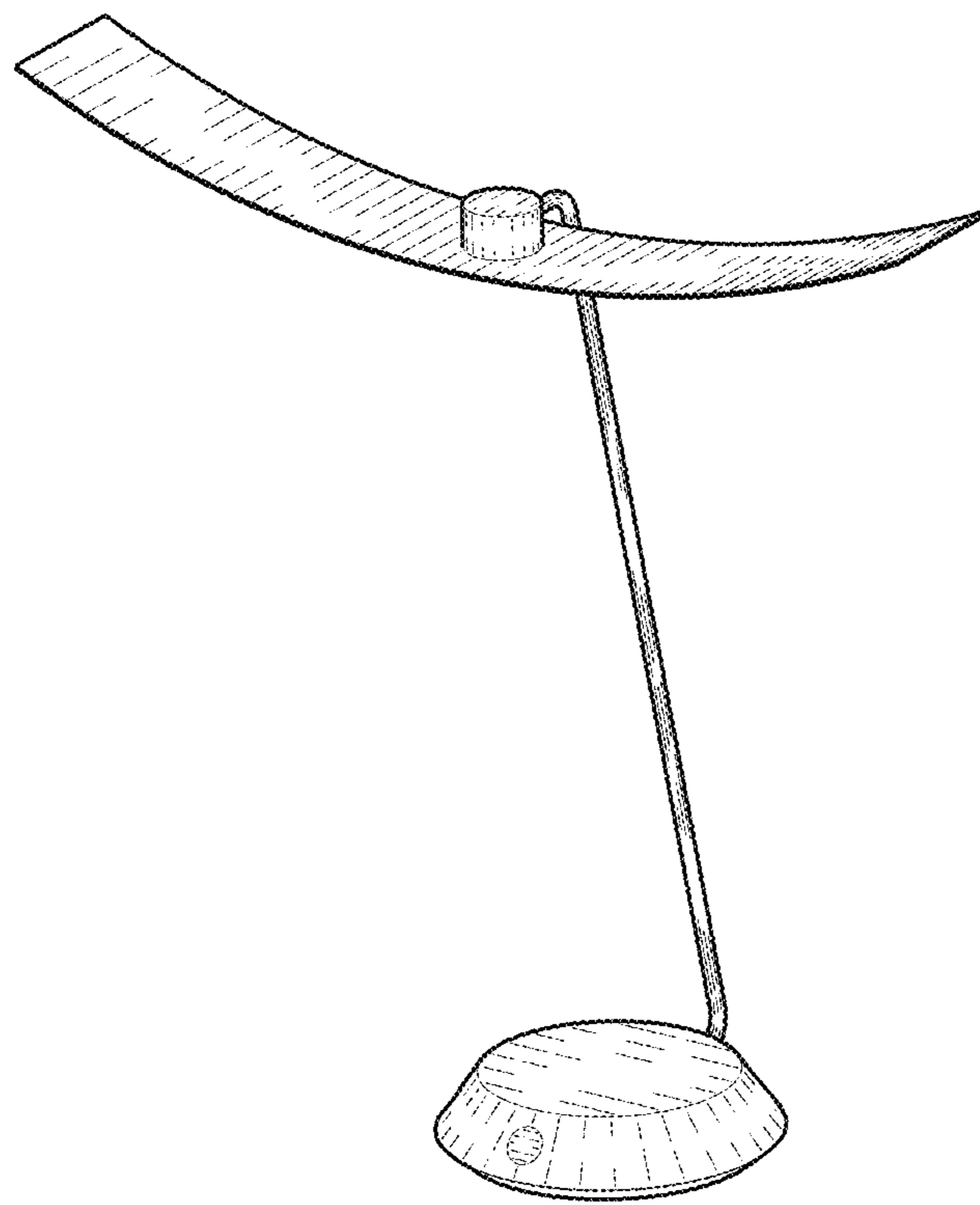


FIG. 1

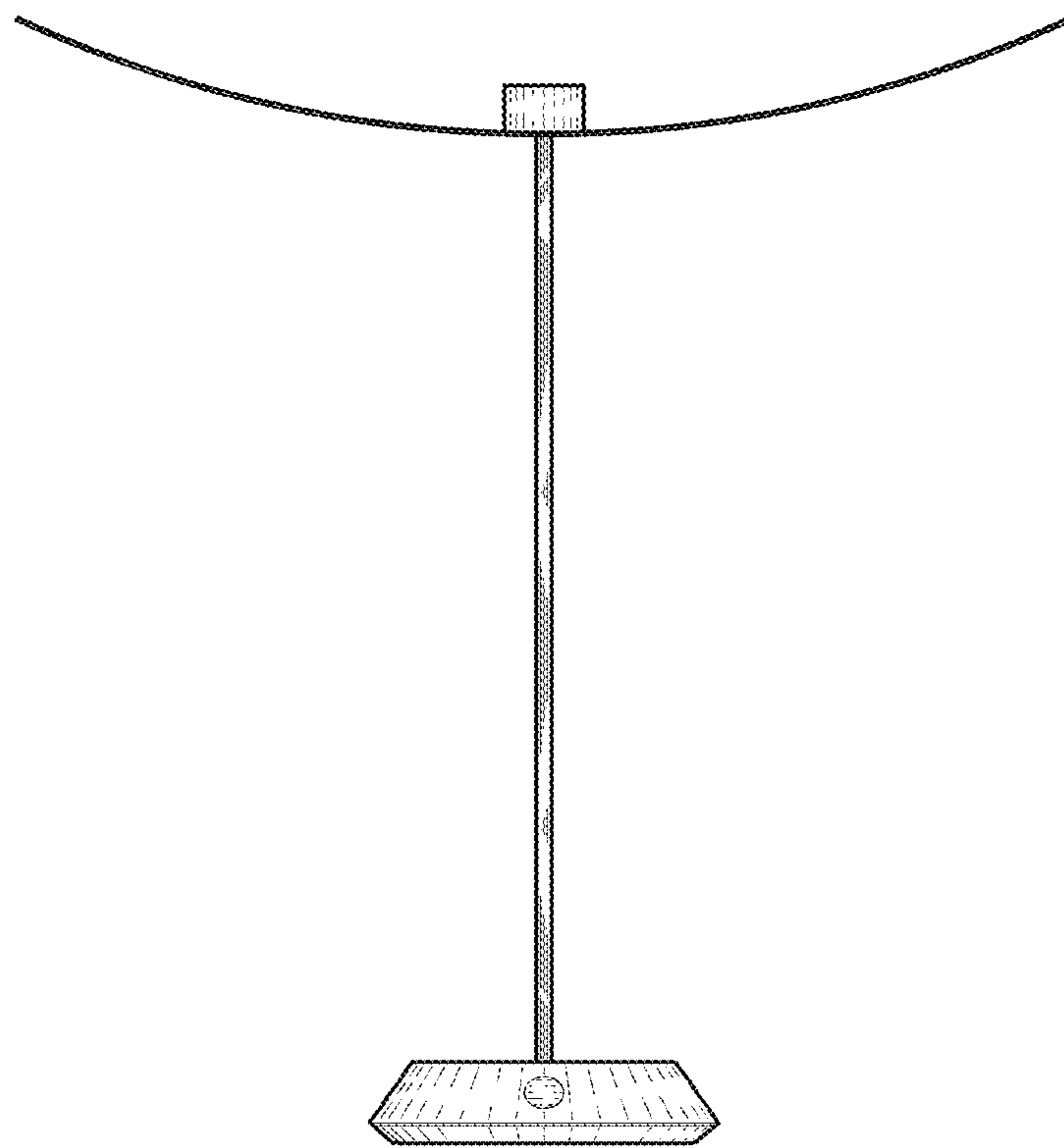


FIG. 2

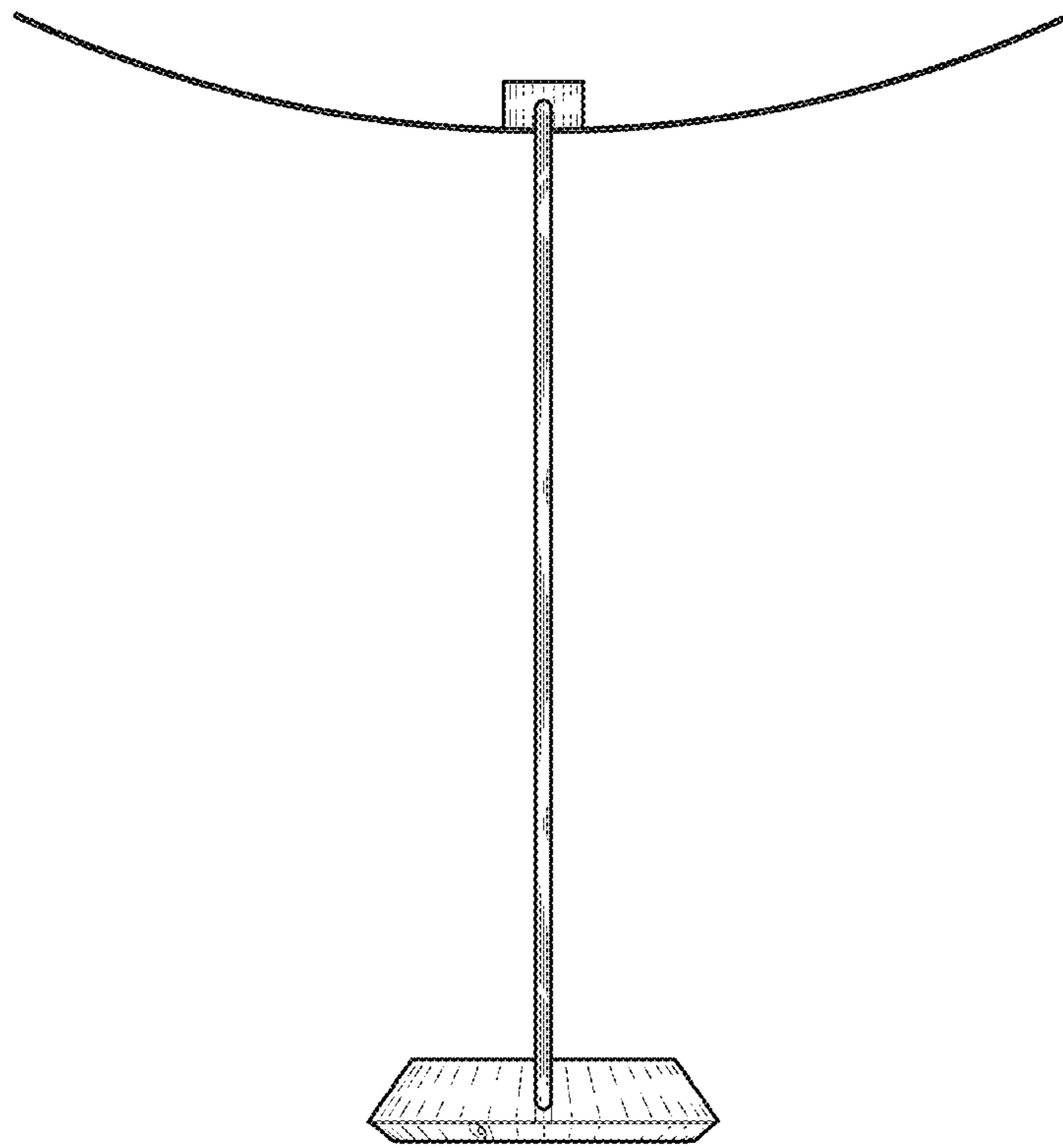


FIG. 3

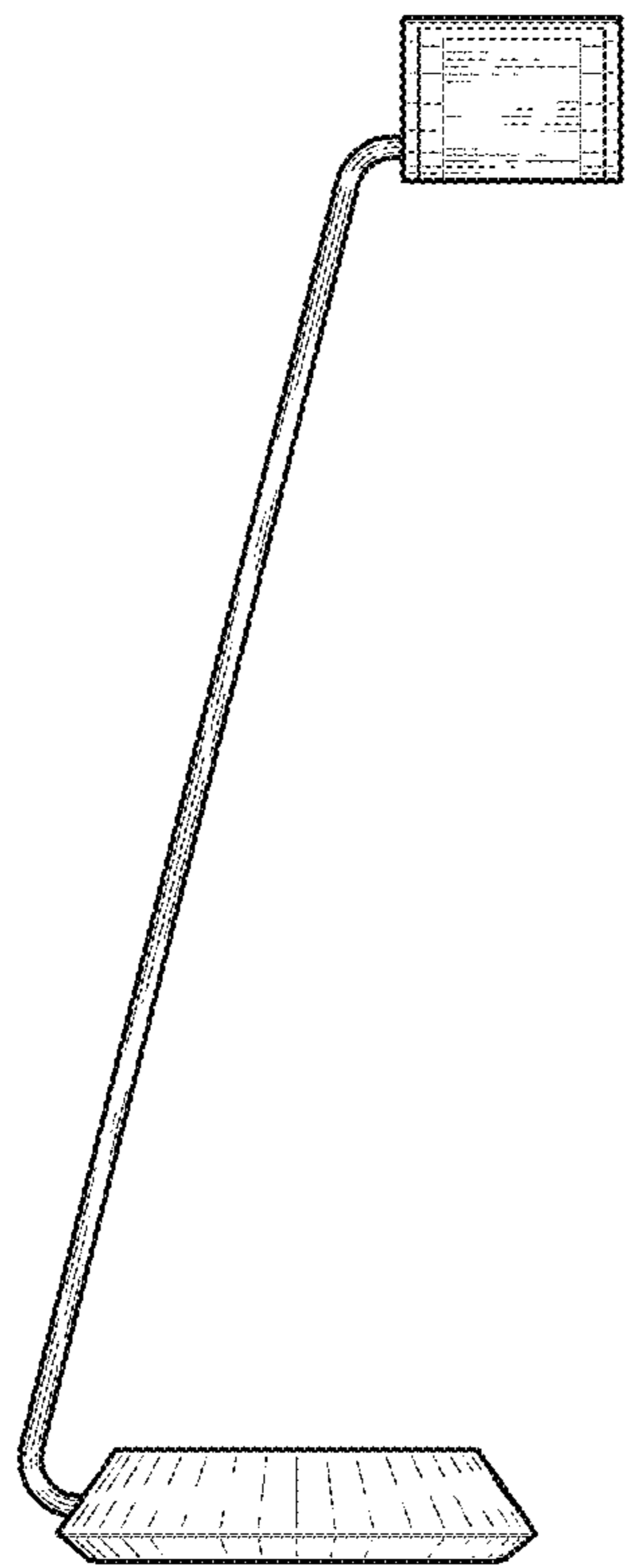


FIG. 4

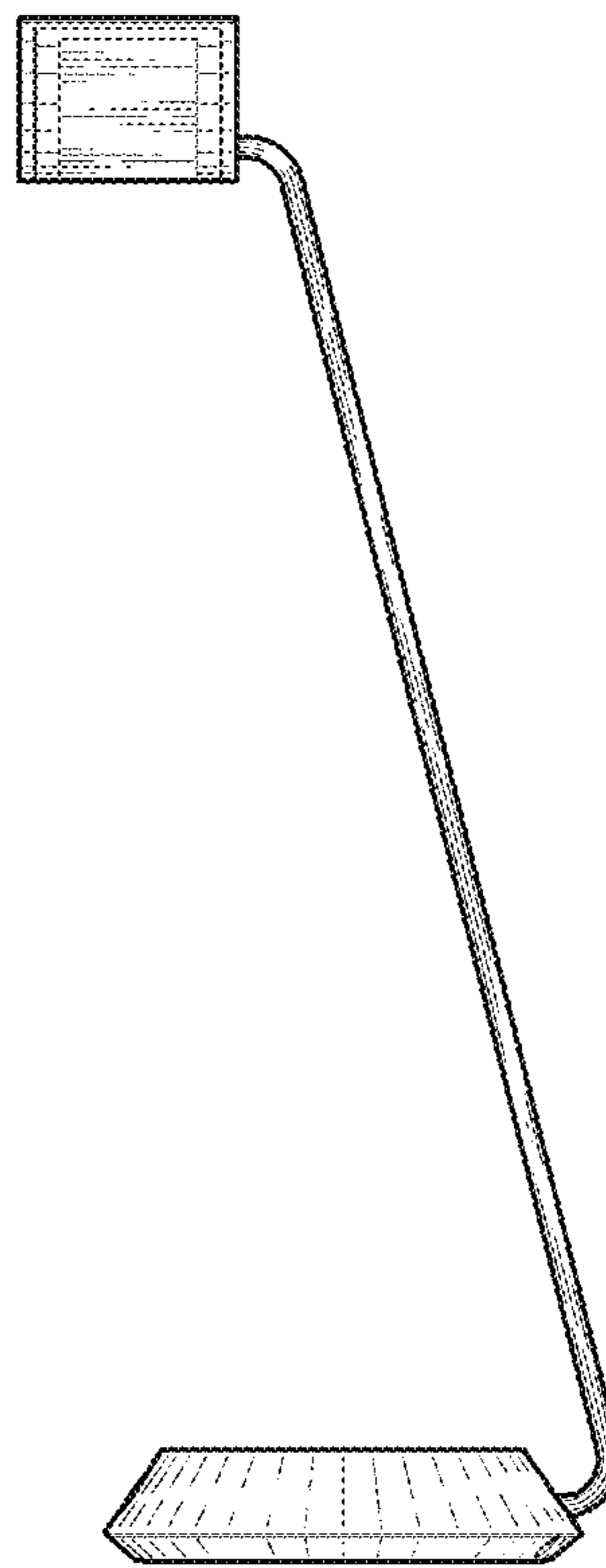


FIG. 5

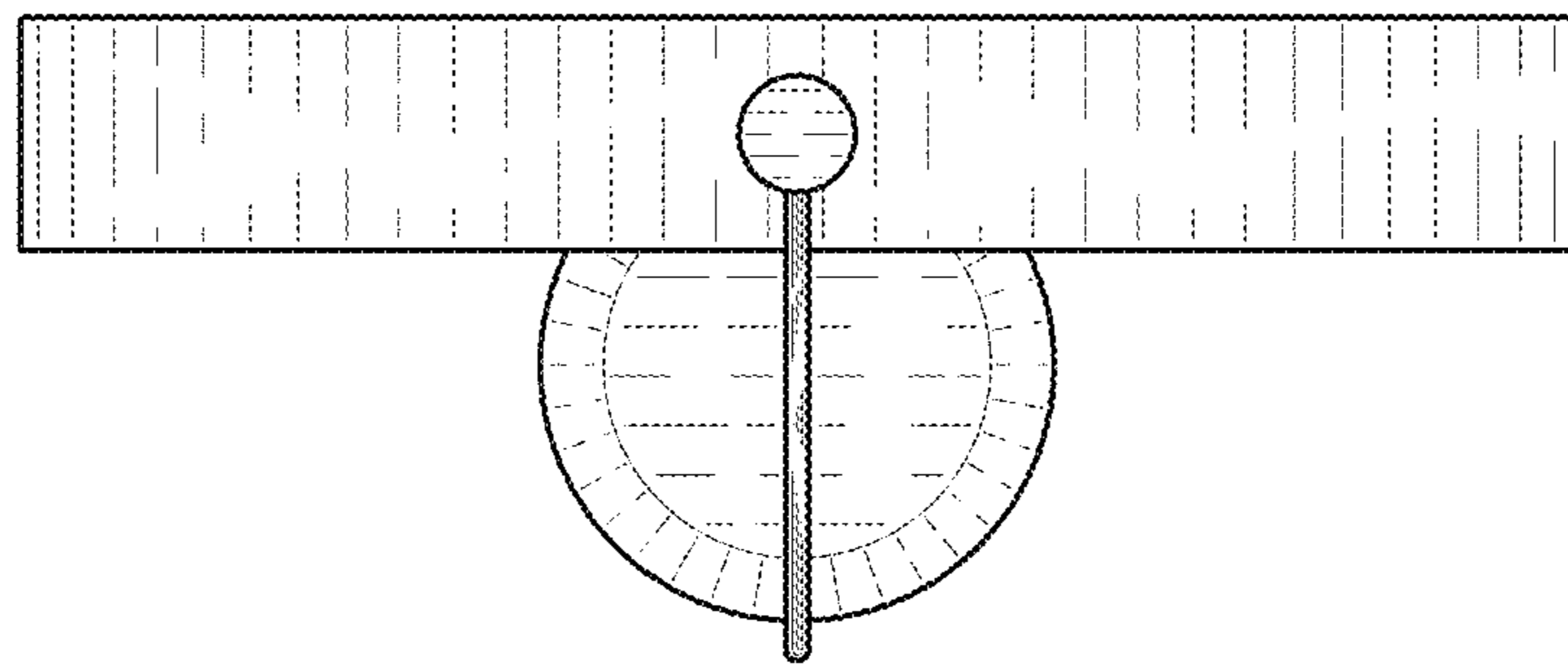


FIG. 6

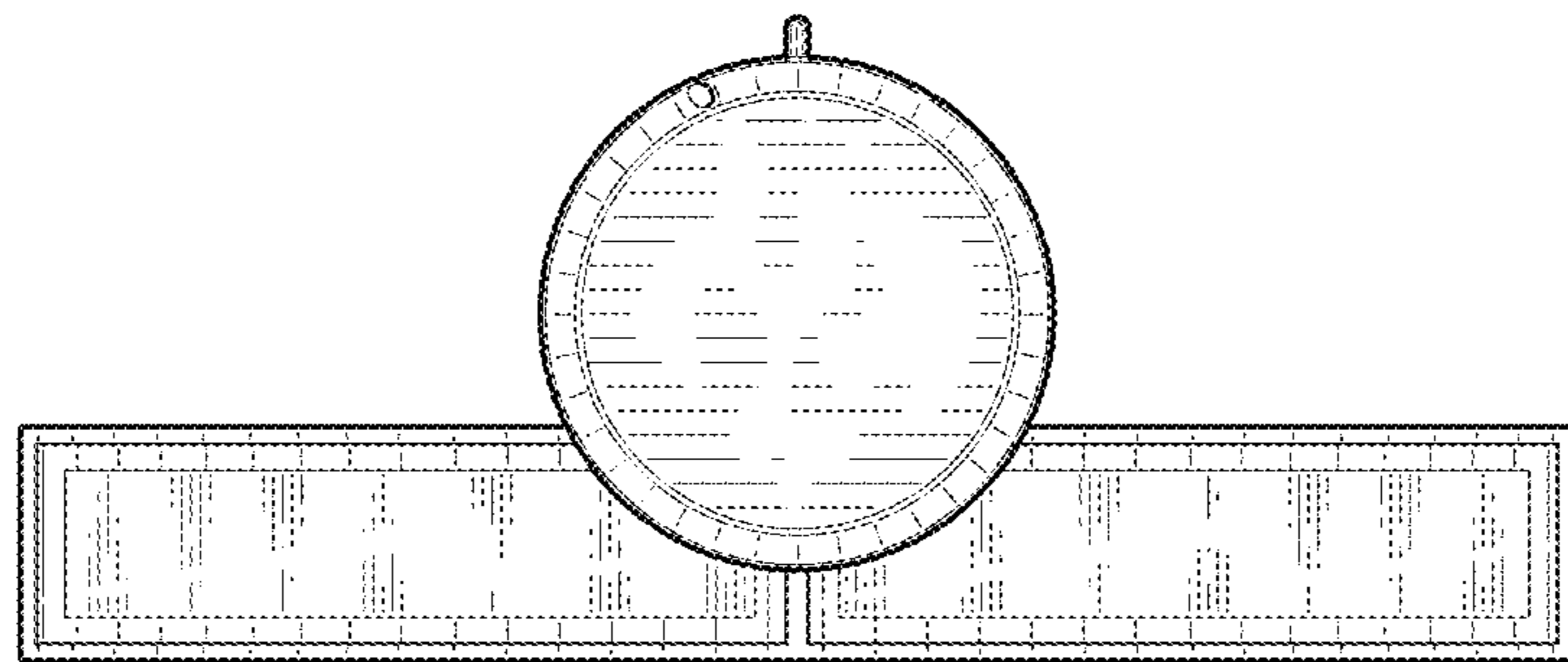


FIG. 7