



US00D854732S

(12) **United States Design Patent**
Luo

(10) **Patent No.:** **US D854,732 S**
(45) **Date of Patent:** **** Jul. 23, 2019**

(54) **PORTABLE TABLE LAMP**

(71) Applicant: **Ming Luo**, Guangdong (CN)

(72) Inventor: **Ming Luo**, Guangdong (CN)

(**) Term: **15 Years**

(21) Appl. No.: **29/648,960**

(22) Filed: **May 25, 2018**

(51) **LOC (11) Cl.** **26-03**

(52) **U.S. Cl.**
USPC **D26/94**

(58) **Field of Classification Search**
USPC D26/93, 94
CPC ... F21S 6/00; F21S 6/002; F21S 6/004; F21V
1/00; F21V 1/06; F21V 11/00; F21V
14/00; F21V 33/00; F21W 2131/30;
F21Y 2105/00

See application file for complete search history.

(56) **References Cited**

U.S. PATENT DOCUMENTS

D74,398 S * 2/1928 Stivale D26/94
D174,939 S * 6/1955 Borowitz D26/94

D314,835 S * 2/1991 Ebihara D26/93
D711,580 S * 8/2014 Ho D26/93
D727,555 S * 4/2015 Gunawan D26/94
D756,555 S * 5/2016 Gunawan D26/94

* cited by examiner

Primary Examiner — Brian N. Vinson

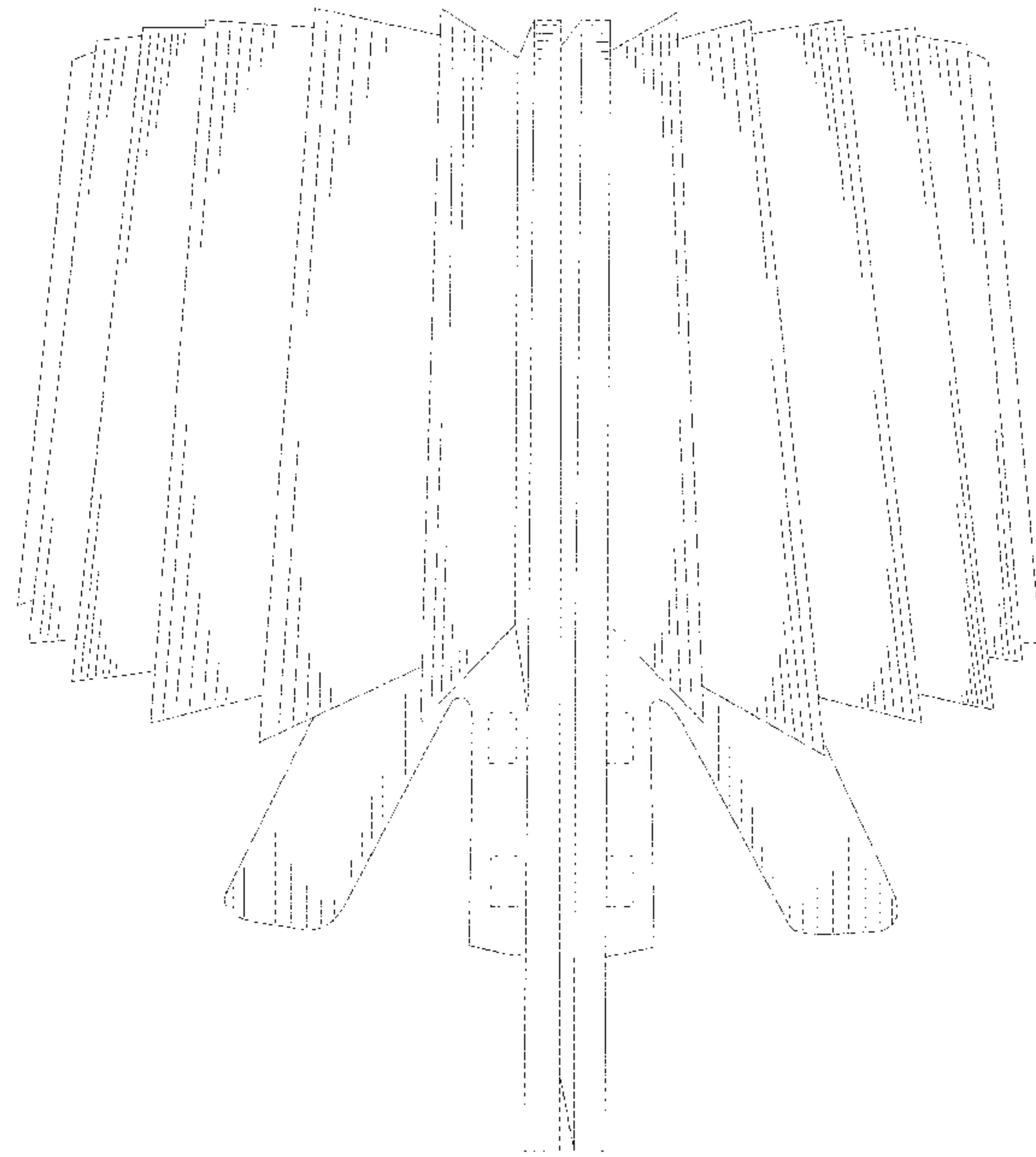
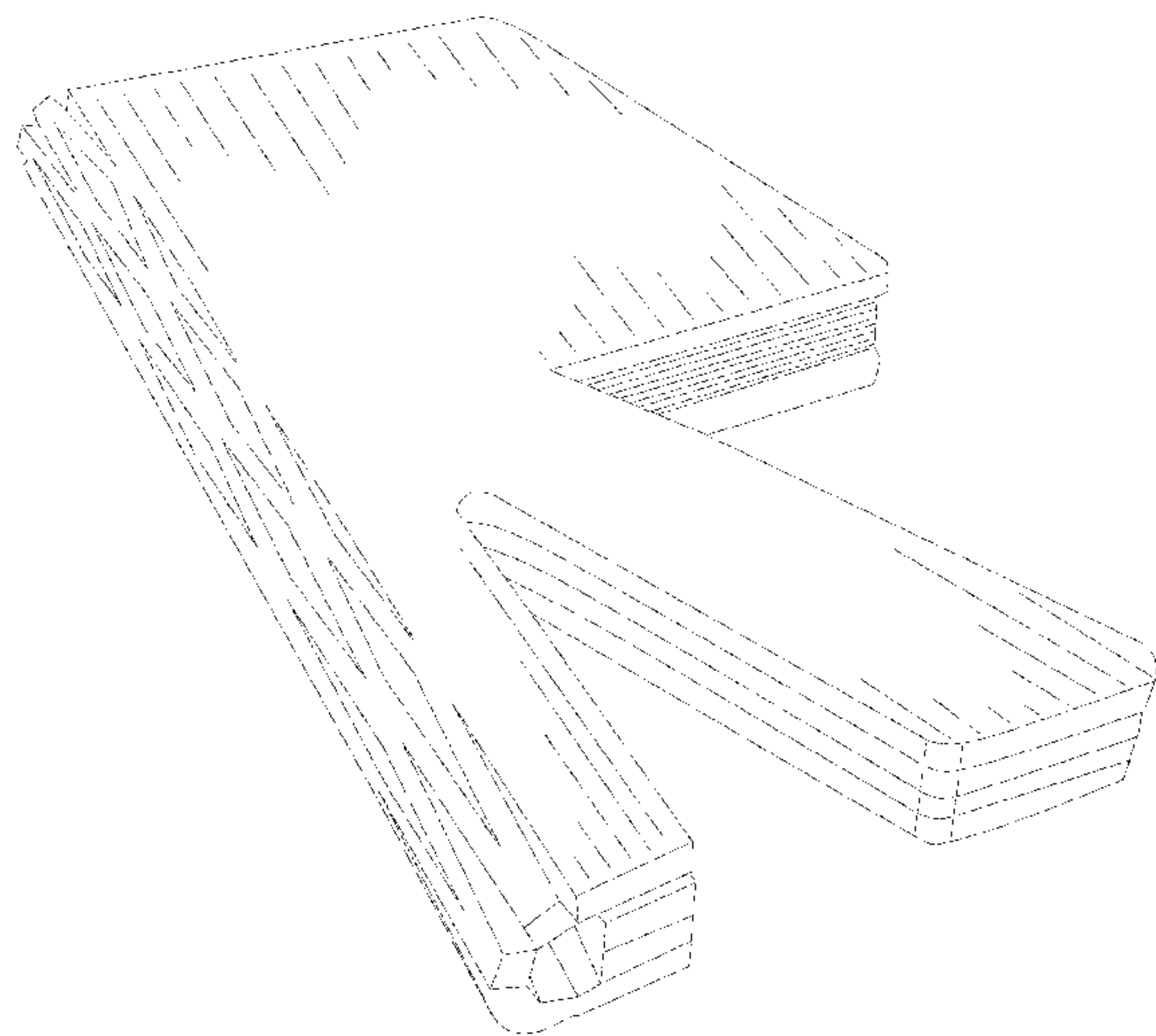
(57) **CLAIM**

The ornamental design for a portable table lamp, as shown and described.

DESCRIPTION

FIG. 1 is a front elevational view of a portable table lamp showing my new design;
FIG. 2 is a rear elevational view in enlarge scale thereof;
FIG. 3 is a left side view in reduce scale thereof;
FIG. 4 is a right side view in reduce scale thereof;
FIG. 5 is a top plan view in enlarge scale thereof;
FIG. 6 is a bottom plan view in enlarge scale thereof;
FIG. 7 is a perspective view thereof;
FIG. 8 is a perspective view in open state; and,
FIG. 9 is another perspective view in open state.
The broken lines shown in Figs. form no part of the claimed design.

1 Claim, 9 Drawing Sheets



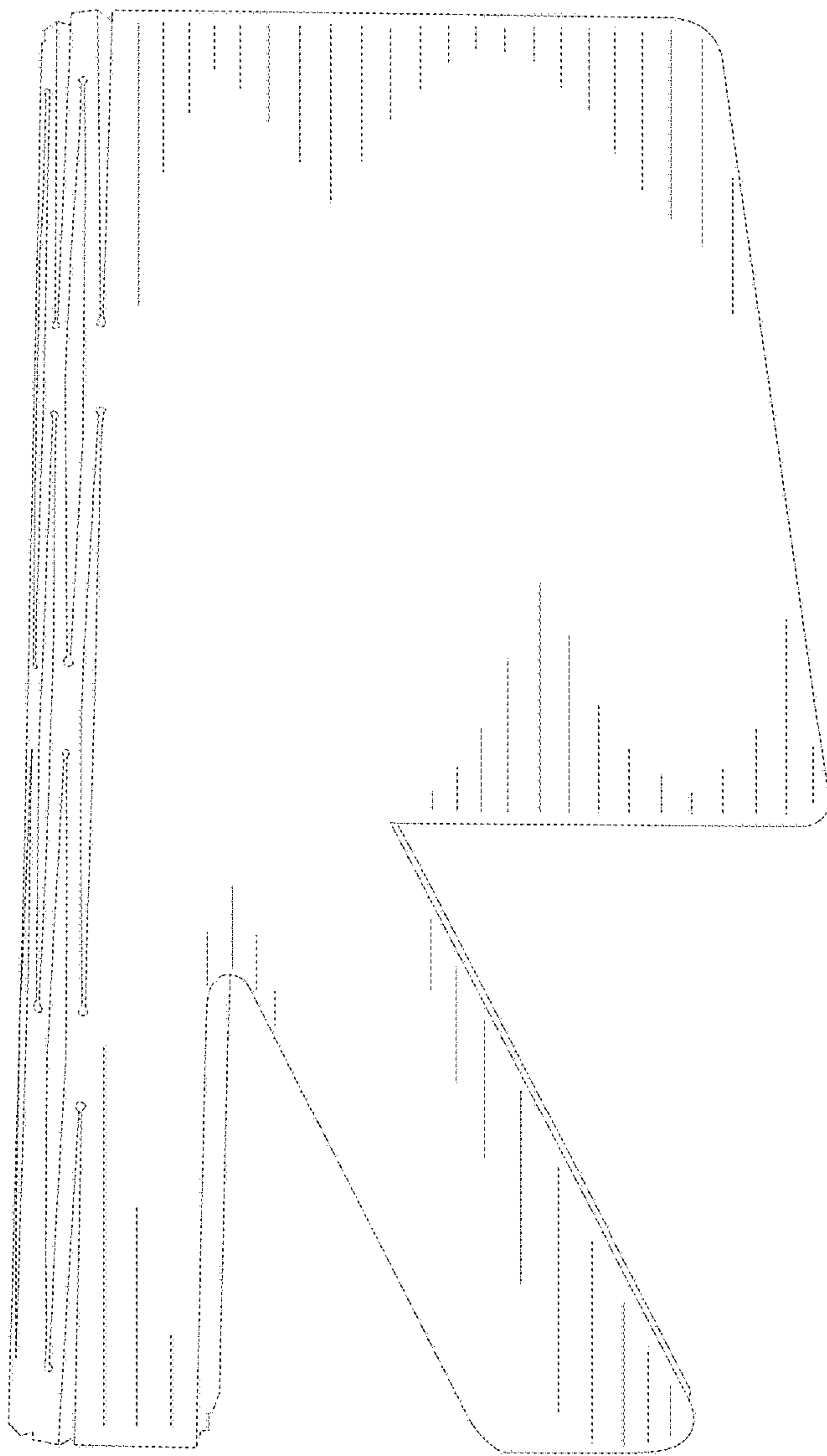


Fig. 1

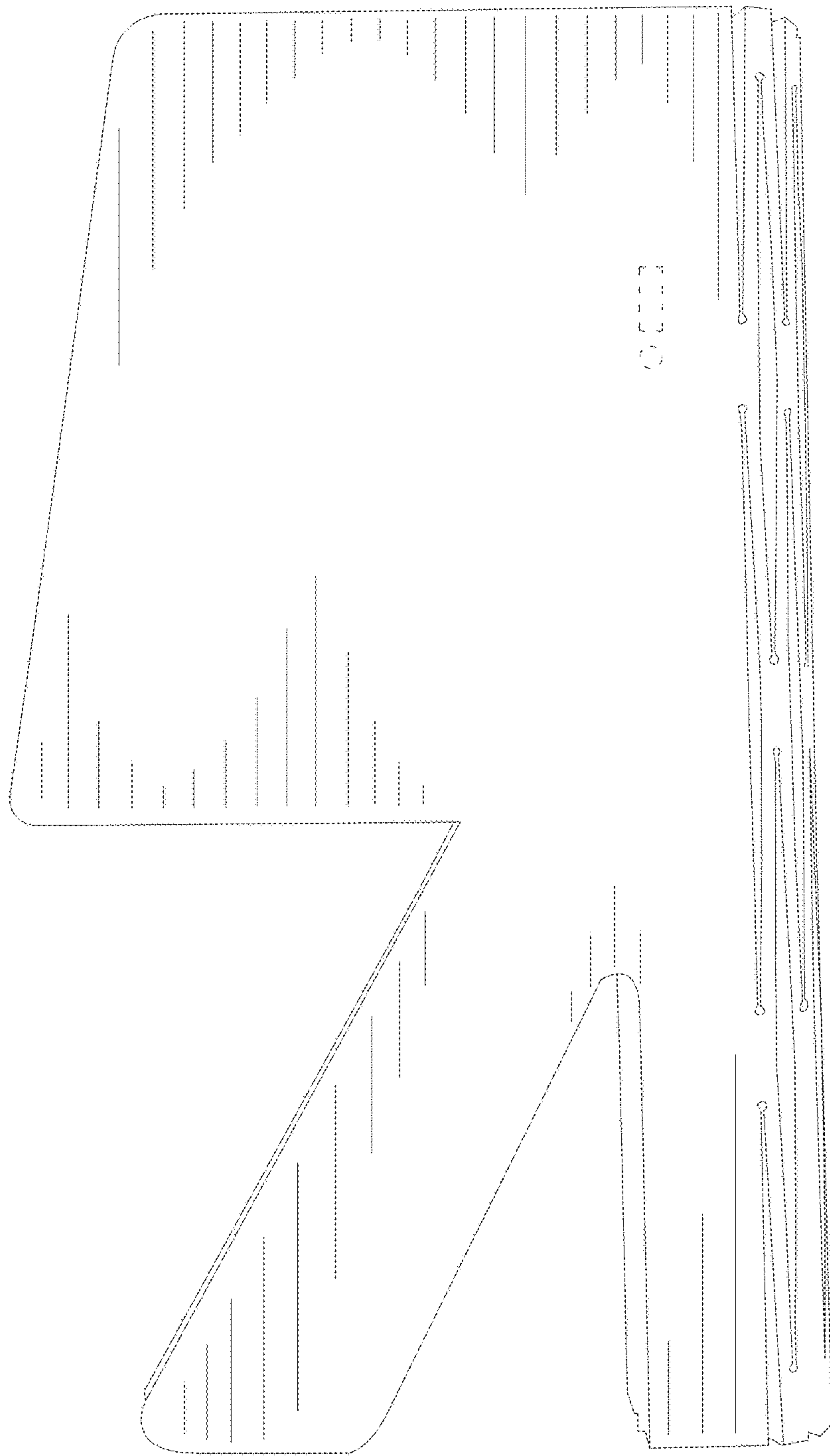


Fig. 2

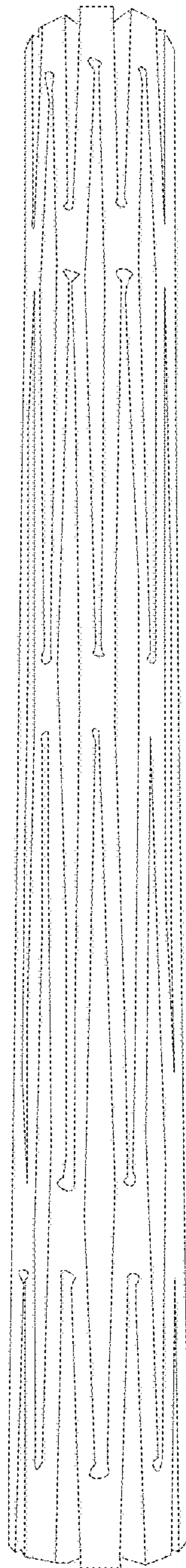


Fig. 3

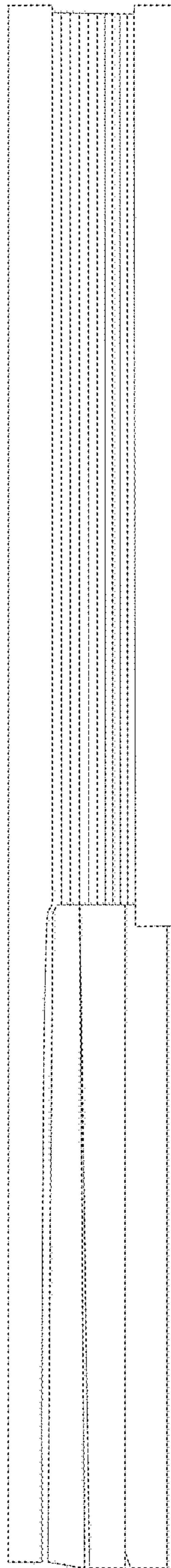


Fig. 4

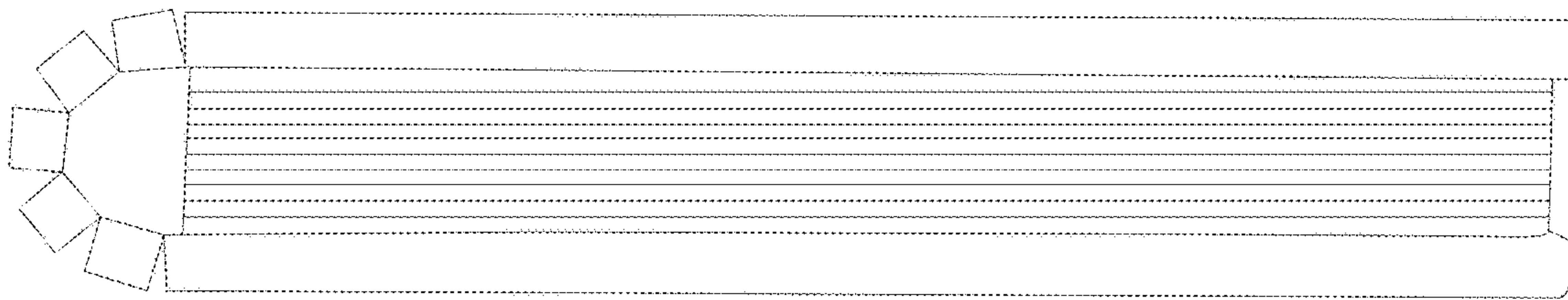


Fig. 5

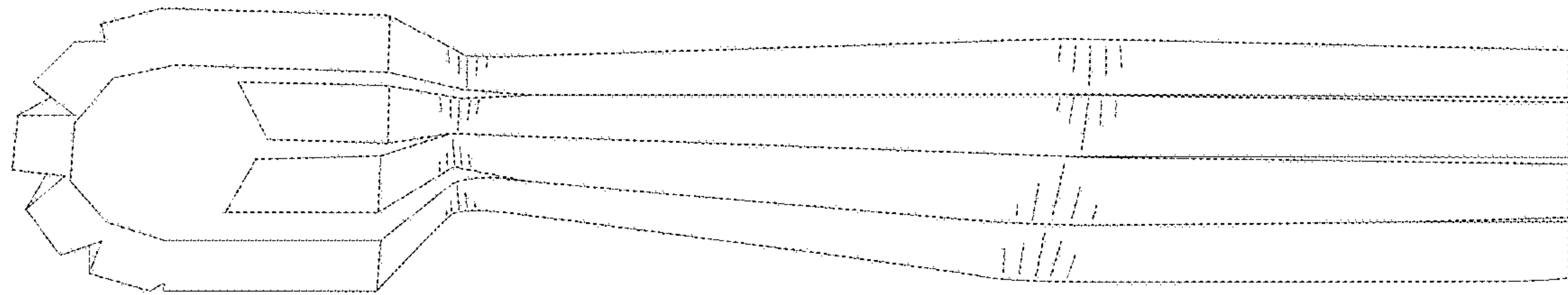


Fig. 6

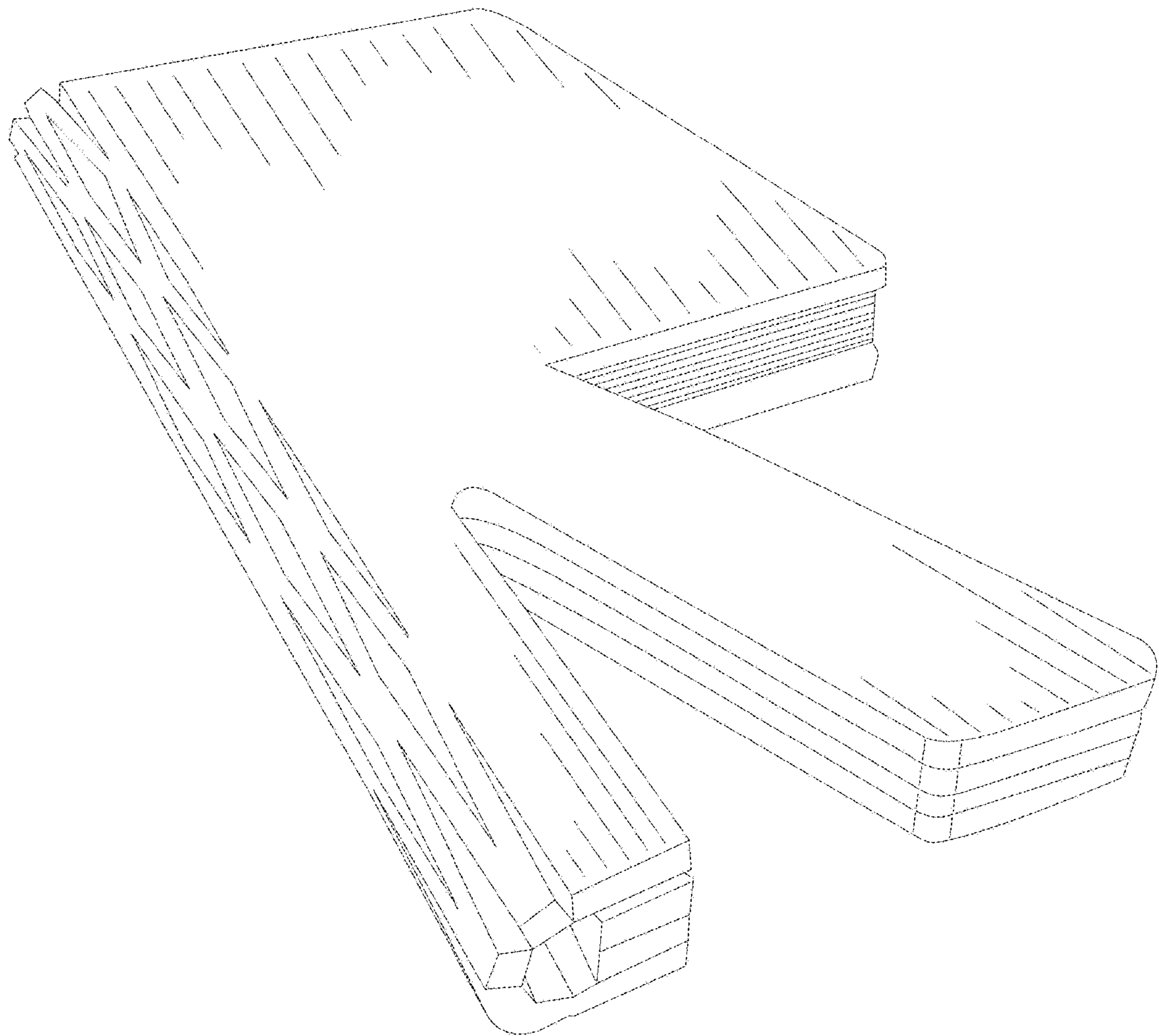


Fig. 7

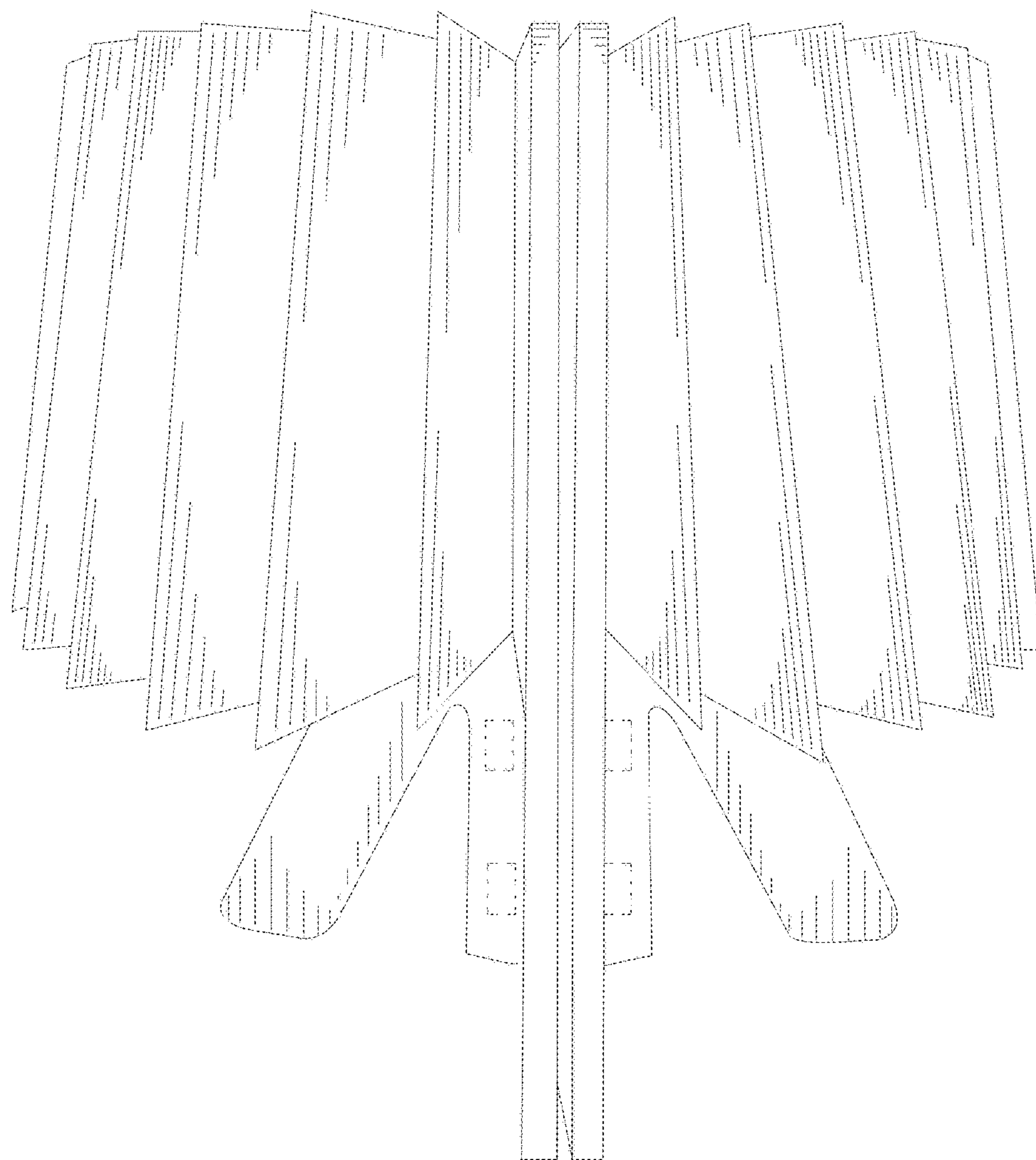


Fig. 8

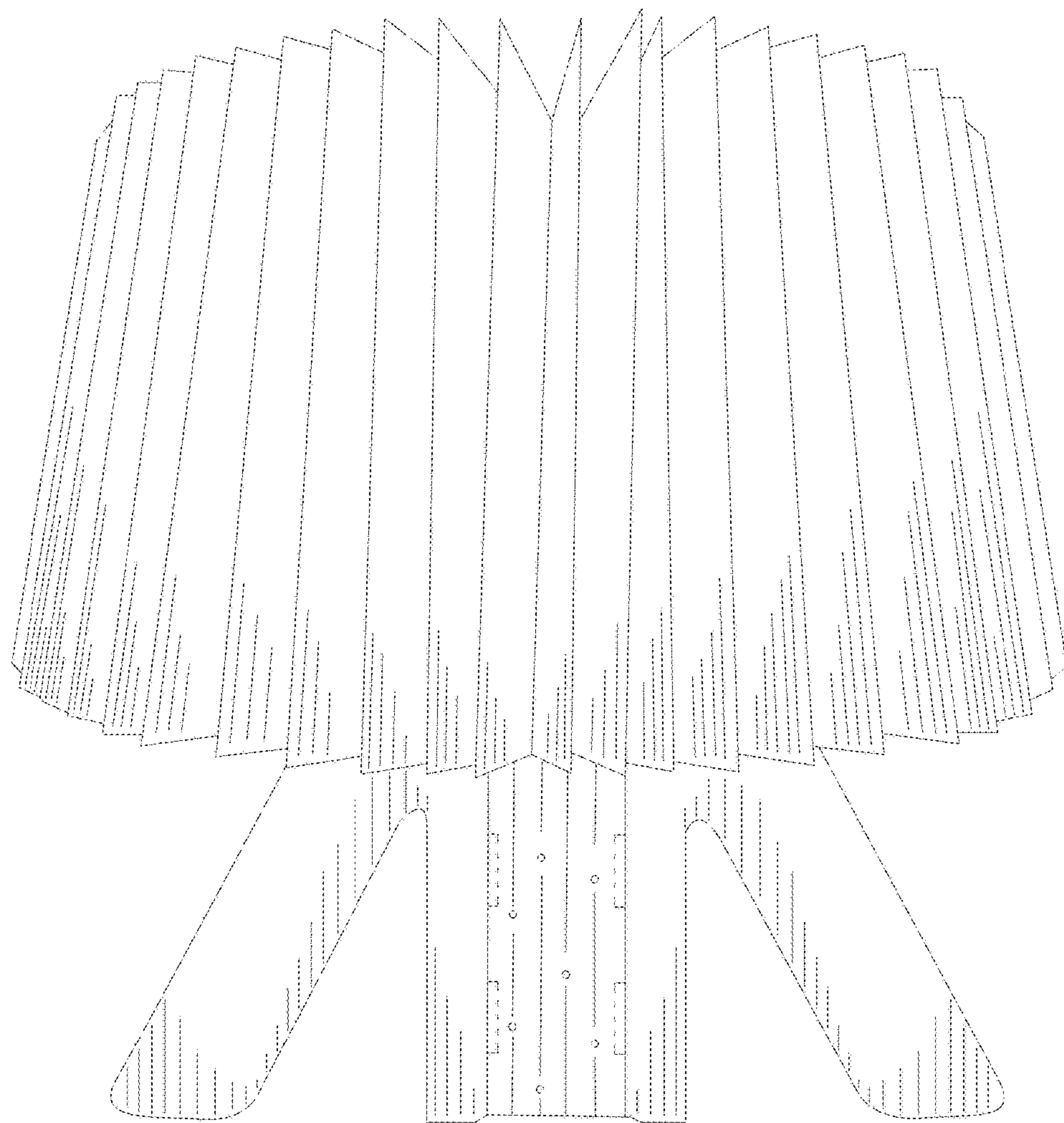


Fig. 9