



US00D854729S

(12) **United States Design Patent**
Yang

(10) **Patent No.:** **US D854,729 S**

(45) **Date of Patent:** **** Jul. 23, 2019**

(54) **LED WALL PACK LIGHT**

(71) Applicant: **LEAD OPTO-TECHNOLOGY CO., LTD.**, Shenzhen (Guangdong Province) (CN)

(72) Inventor: **Ming Yang**, Shenzhen (CN)

(73) Assignee: **LEAD OPTO-TECHNOLOGY CO., LTD.**, Shenzhen (CN)

(**) Term: **15 Years**

(21) Appl. No.: **29/630,680**

(22) Filed: **Dec. 21, 2017**

(51) **LOC (11) Cl.** **26-03**

(52) **U.S. Cl.**
USPC **D26/85**

(58) **Field of Classification Search**
USPC D26/72, 85; D10/106.6, 106.8
CPC F21S 8/03; F21S 8/033; F21S 8/036; F21S 8/037; F21S 9/022; F21S 9/024; F21S 9/03; F21S 9/037; F21V 33/0076; G01V 8/10; F21W 2121/004; F21W 2131/107
See application file for complete search history.

(56) **References Cited**

U.S. PATENT DOCUMENTS

4,939,359 A * 7/1990 Freeman G01V 8/10
250/221
D681,864 S * 5/2013 Guercio D26/85

D716,990 S * 11/2014 Yu D26/85
D825,813 S * 8/2018 Xiang D26/85
D826,455 S * 8/2018 Moon D26/85
D833,055 S * 11/2018 Deng D26/85

* cited by examiner

Primary Examiner — Brian N. Vinson

(74) *Attorney, Agent, or Firm* — Yong Chen

(57) **CLAIM**

The ornamental design for a LED wall pack light, as shown and described.

DESCRIPTION

FIG. 1 is a front view of a LED wall pack light of the present invention.

FIG. 2 is a back view thereof.

FIG. 3 is a left view thereof.

FIG. 4 is a right view thereof.

FIG. 5 is a top view thereof.

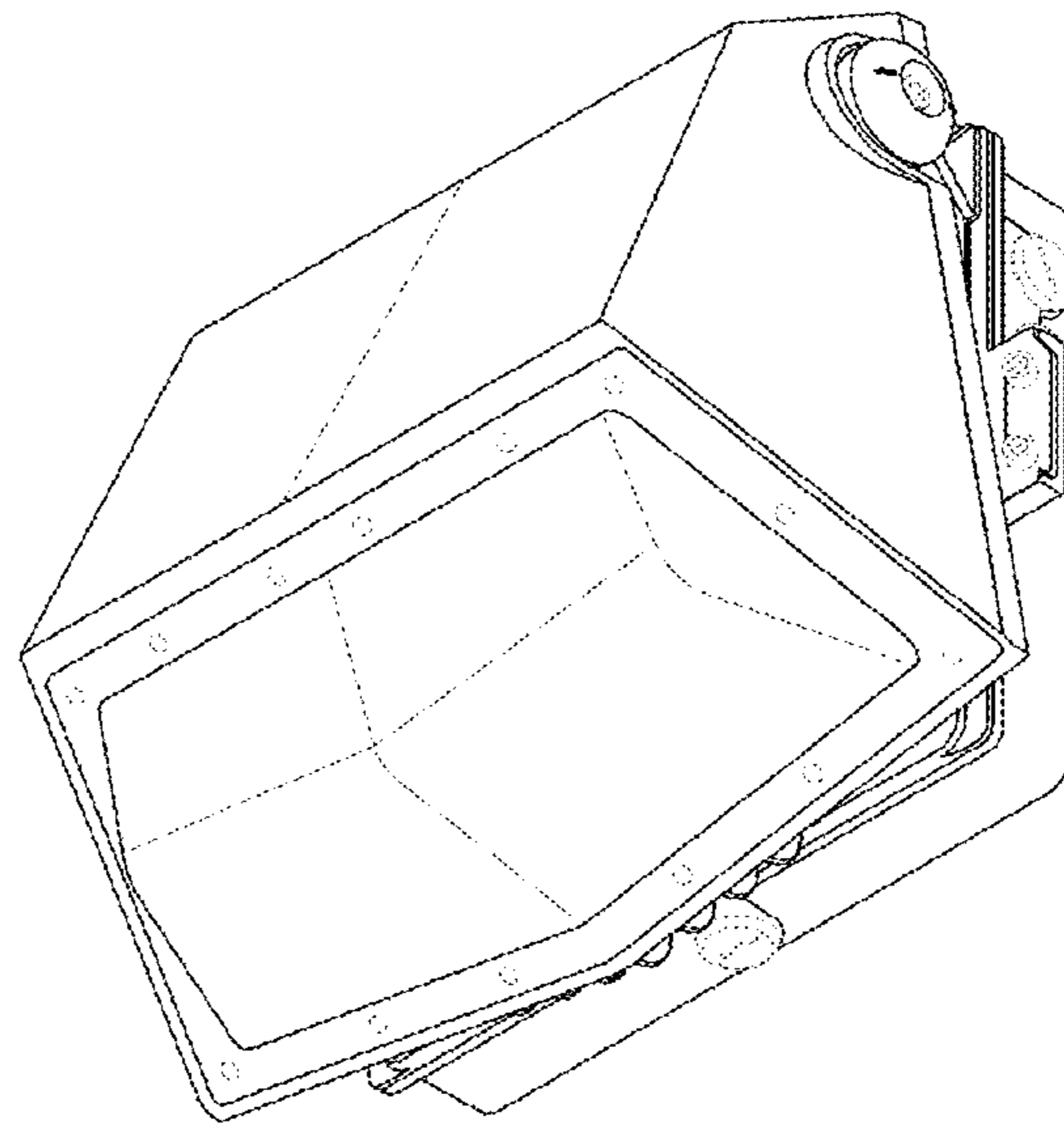
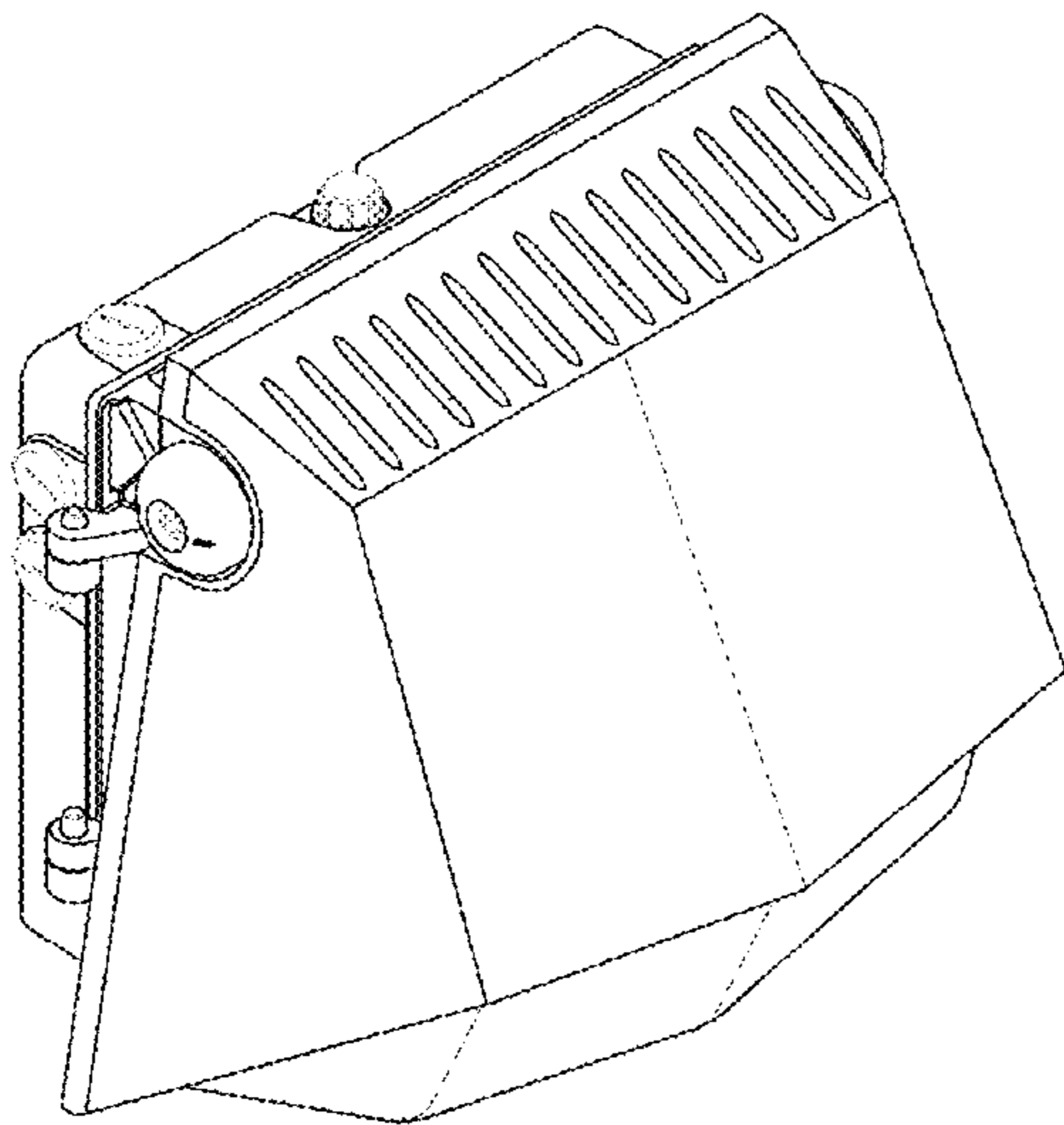
FIG. 6 is a bottom view thereof.

FIG. 7 is a top left perspective view thereof; and,

FIG. 8 is a bottom right perspective view thereof.

The broken line disclosure represents portions of the light which form no part of the claimed design.

1 Claim, 8 Drawing Sheets



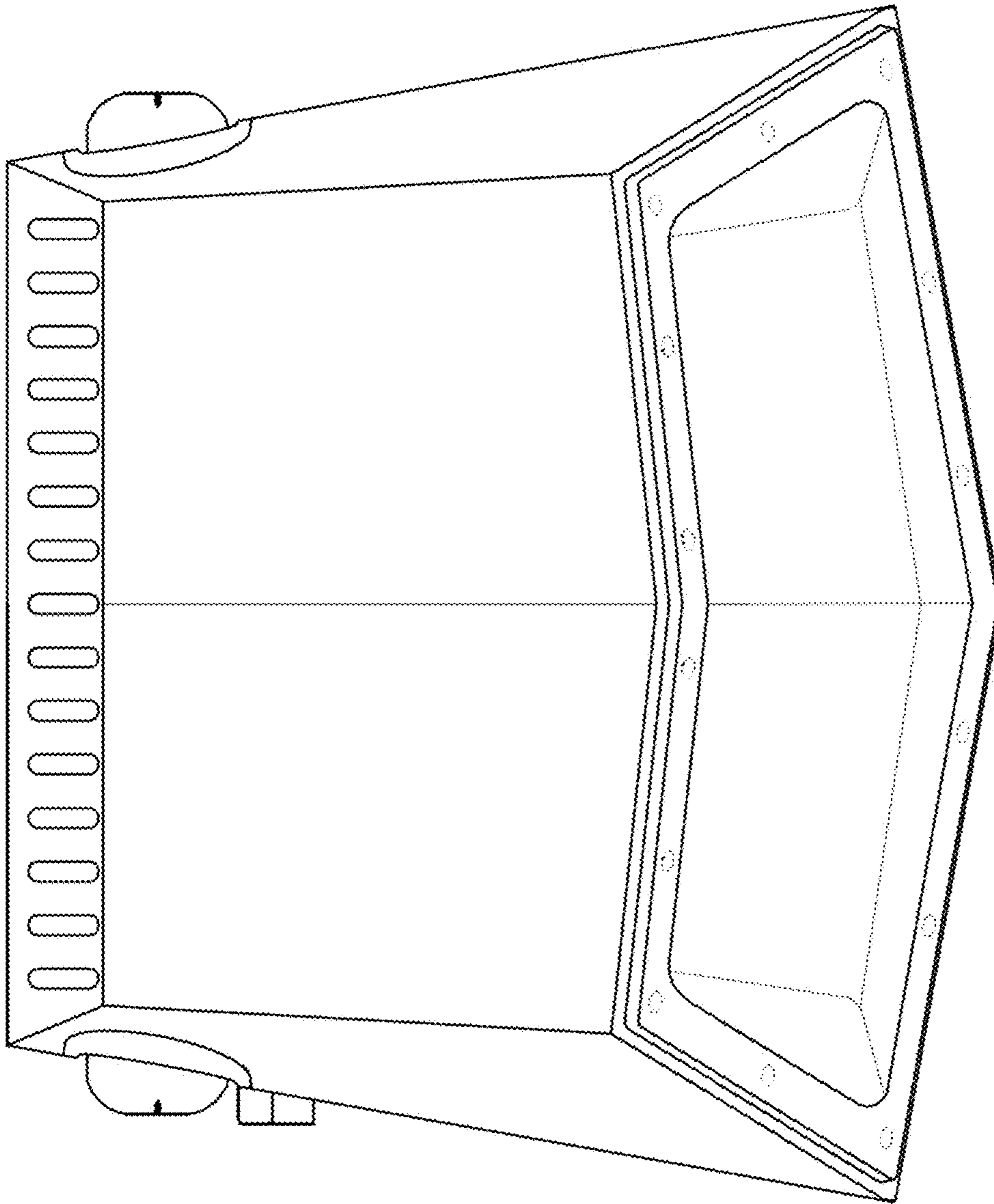


FIG. 1

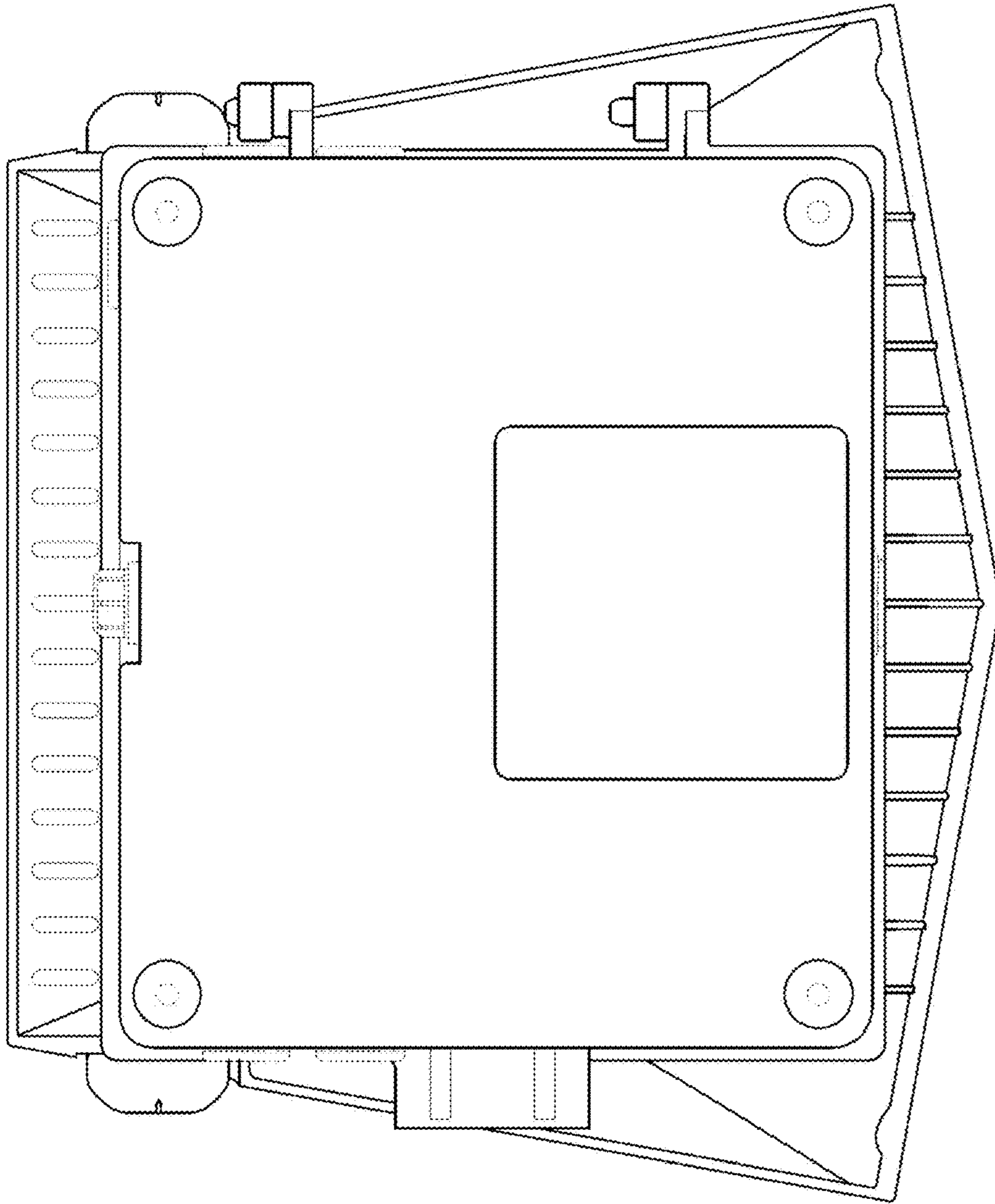


FIG. 2

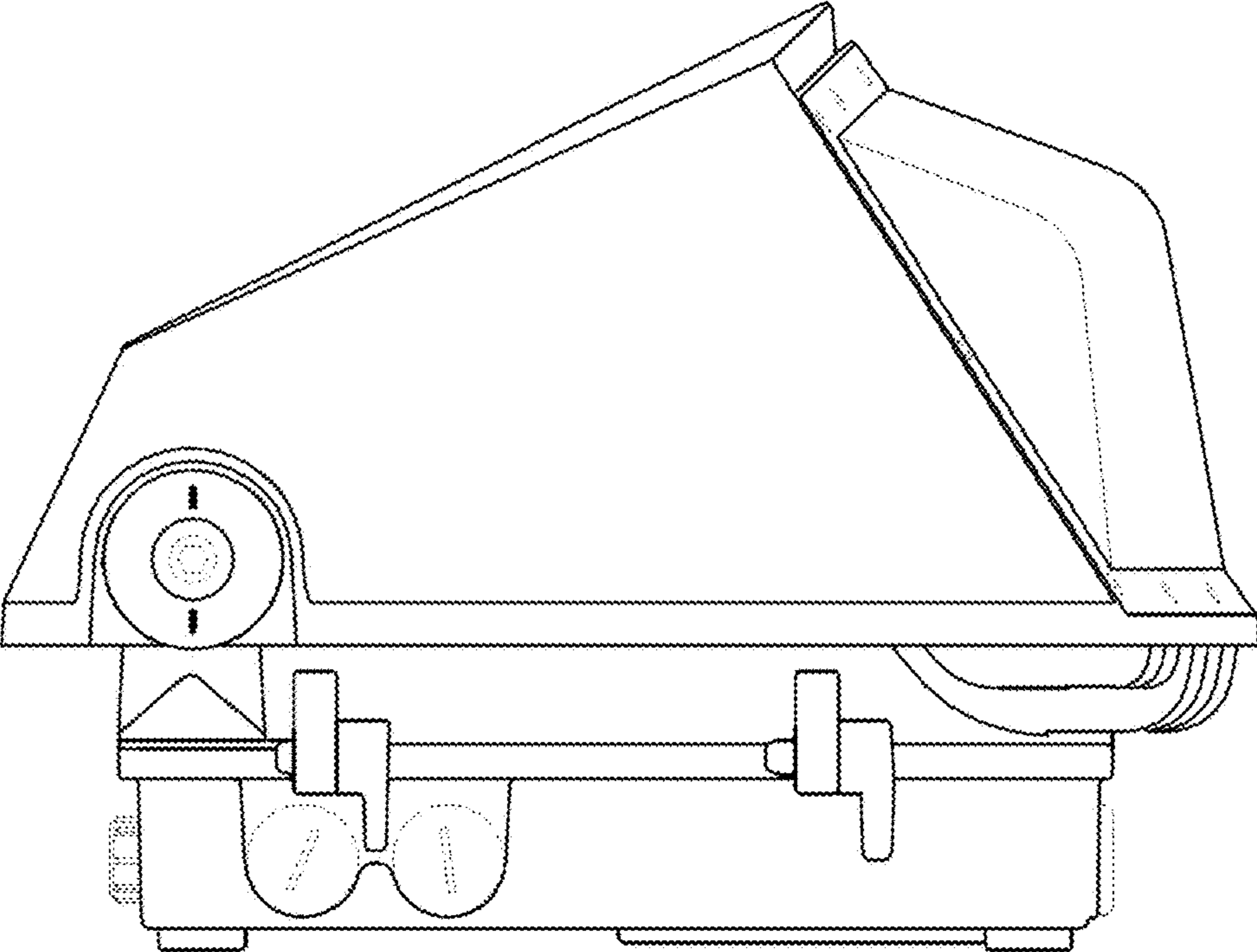


FIG. 3

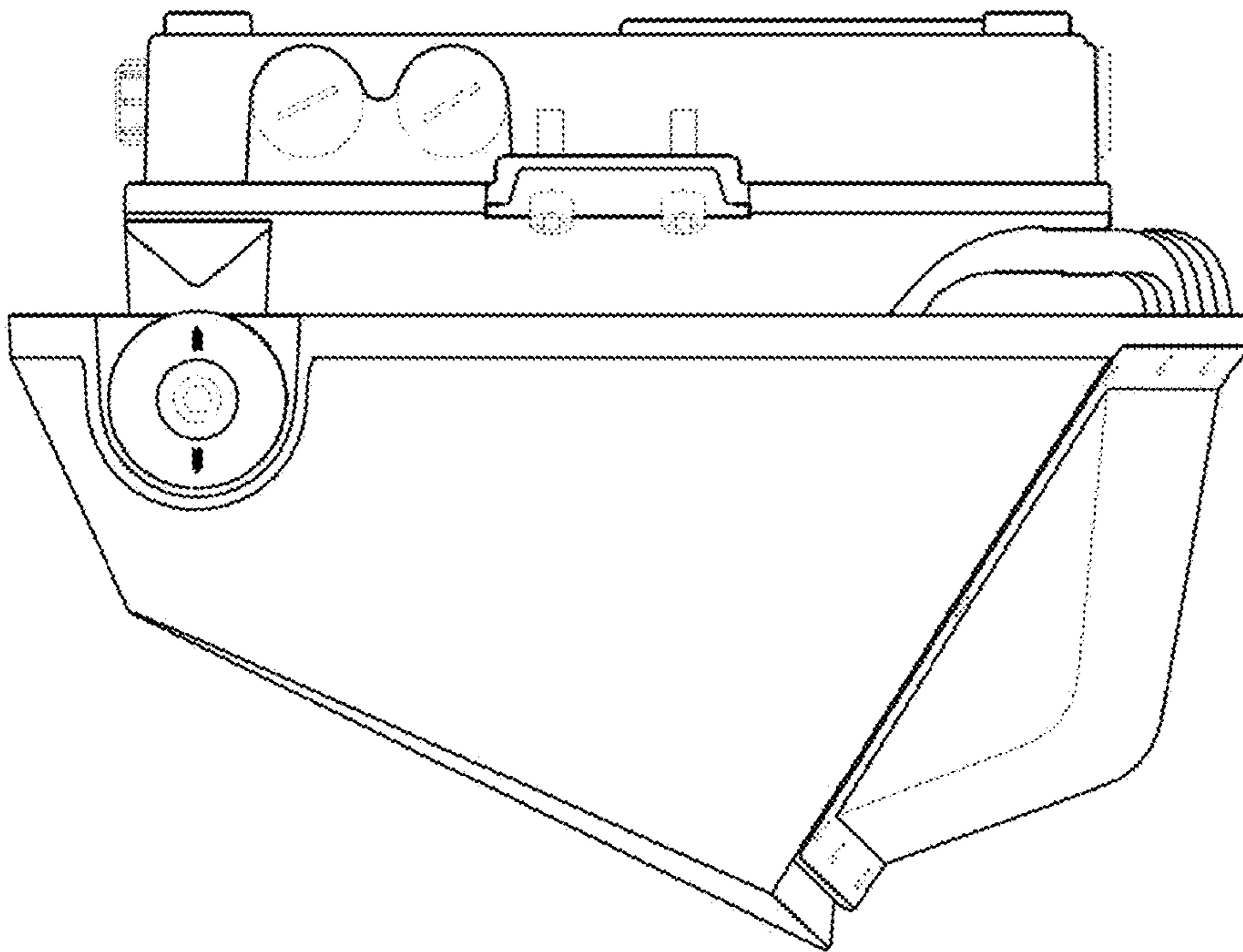


FIG. 4

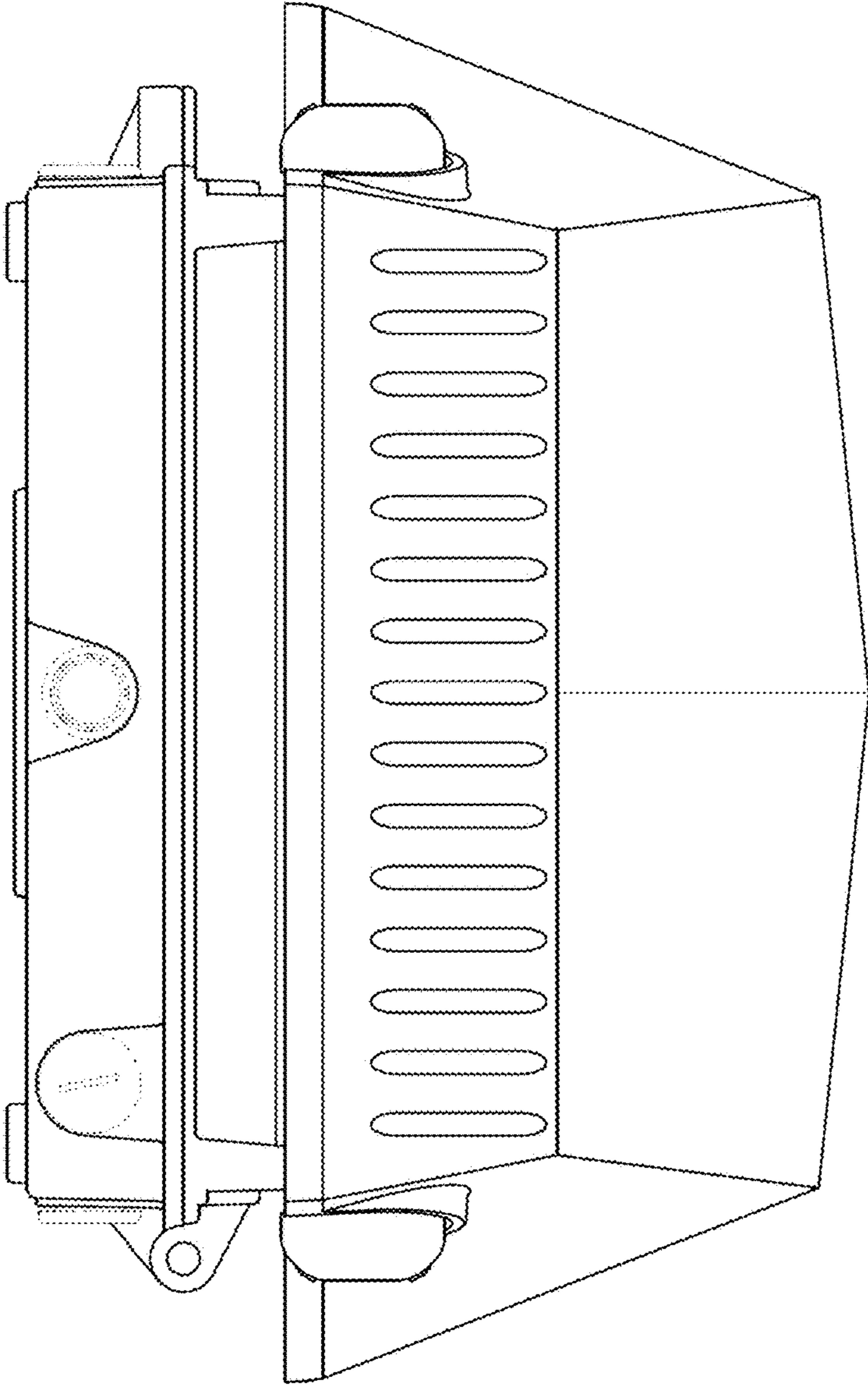


FIG. 5

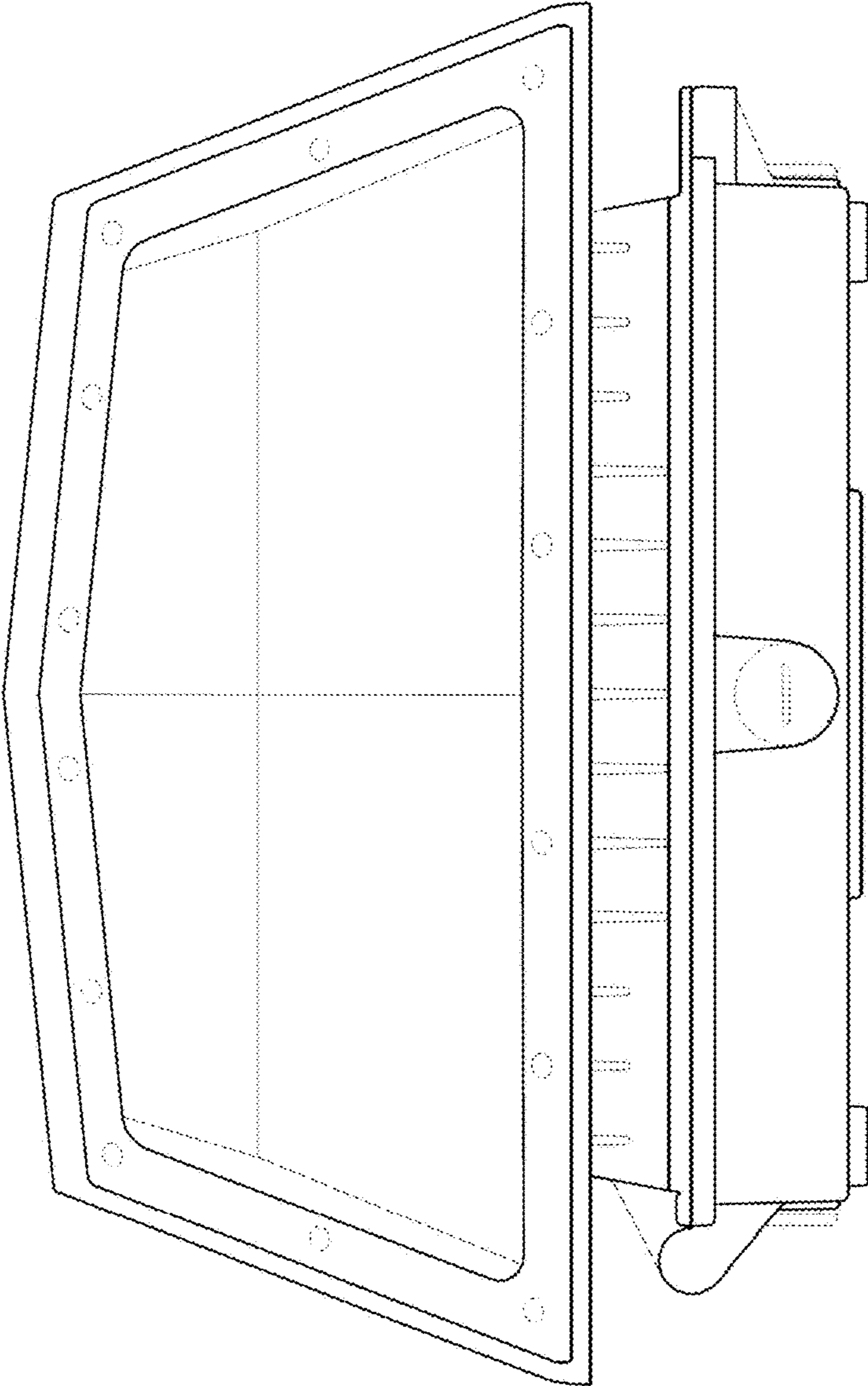


FIG. 6

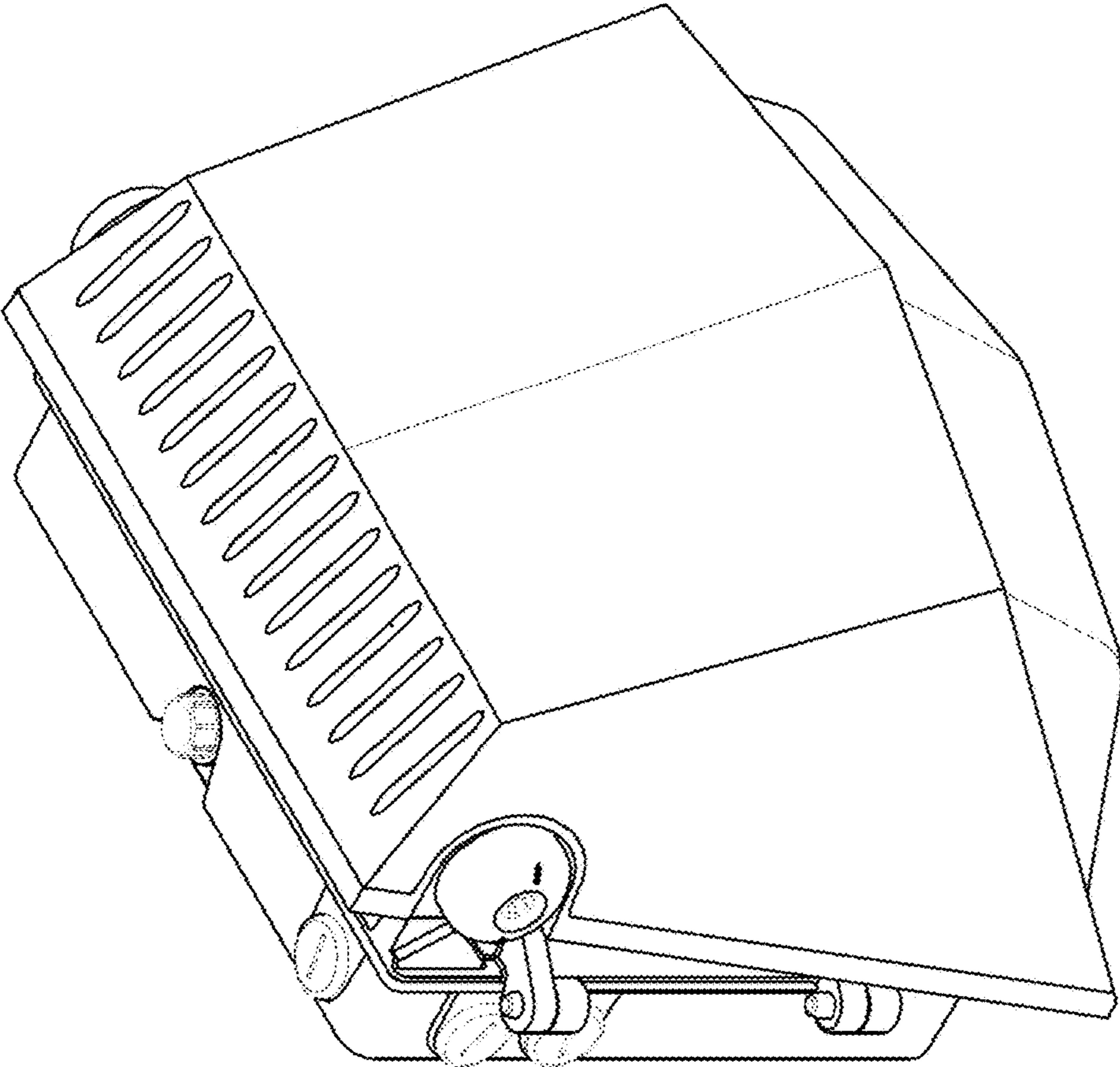


FIG. 7

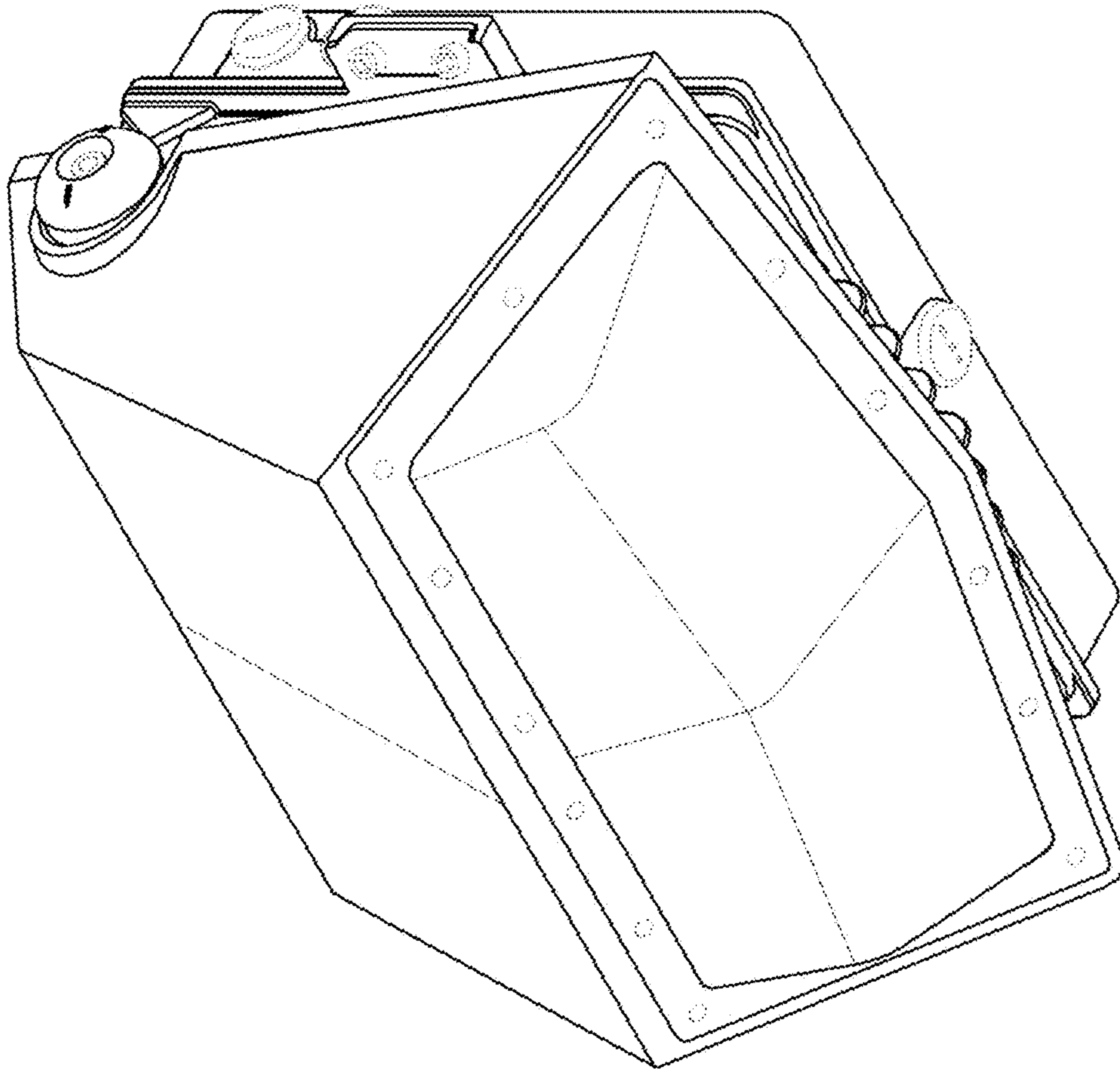


FIG. 8