



US00D854727S

(12) **United States Design Patent**  
**Cole et al.**

(10) **Patent No.:** **US D854,727 S**  
(45) **Date of Patent:** **\*\* Jul. 23, 2019**

(54) **LED LAMP**  
(71) Applicant: **NUALIGHT LIMITED**, Cork (IE)  
(72) Inventors: **Ben Cole**, Crawley (GB); **Brian Norris**, Haywards Heath (GB); **Andrew Cronin**, Haywards Heath (GB)  
(73) Assignee: **Nualight Limited**, Cork (IE)  
(\*\*) Term: **15 Years**  
(21) Appl. No.: **29/608,648**  
(22) Filed: **Jun. 23, 2017**

(30) **Foreign Application Priority Data**  
Jan. 18, 2017 (EM) ..... 003655554-0001  
Jan. 18, 2017 (EM) ..... 003655554-0002  
(51) **LOC (11) Cl.** ..... **26-04**  
(52) **U.S. Cl.**  
USPC ..... **D26/76**  
(58) **Field of Classification Search**  
USPC ..... D26/76, 78, 79, 80, 81, 82, 83, 85, 86,  
D26/88, 90, 113, 118, 119, 120, 121, 122,  
D26/138, 139, 140, 141, 142, 152  
CPC ..... F21S 2/00; F21S 4/00; F21S 4/003; F21S  
4/005; F21S 4/006; F21S 4/007; F21S  
4/008; F21S 6/00; F21S 8/00; F21S  
8/024; F21S 8/026; F21S 8/031; F21S  
8/033; F21S 8/035-8/037; F21S 8/04;  
F21S 8/043; F21S 8/063  
See application file for complete search history.

(56) **References Cited**  
**U.S. PATENT DOCUMENTS**  
D344,605 S \* 2/1994 Aspenwall ..... D26/76  
D577,138 S \* 9/2008 Kitagawa ..... D26/37

D603,079 S \* 10/2009 Toot ..... D26/118  
D607,598 S \* 1/2010 Xiao ..... D26/76  
D626,267 S \* 10/2010 Ng ..... D26/76  
D633,642 S \* 3/2011 Wauters ..... D26/76  
D663,065 S \* 7/2012 Beghelli ..... D26/76  
D671,254 S \* 11/2012 Miyatake ..... D26/75  
D693,048 S \* 11/2013 Ng ..... D26/76  
D735,390 S \* 7/2015 Yanping ..... D26/74  
D735,392 S \* 7/2015 Ng ..... D26/76  
D750,308 S \* 2/2016 Rodgers ..... D26/76  
D796,721 S \* 9/2017 Boorom ..... D26/72  
D799,733 S \* 10/2017 Recker ..... D26/76  
D804,082 S \* 11/2017 Boorom ..... D26/118  
D831,257 S \* 10/2018 Boulanger ..... D26/76

\* cited by examiner

*Primary Examiner* — Natasha Vujcic  
(74) *Attorney, Agent, or Firm* — Studebaker & Brackett  
PC

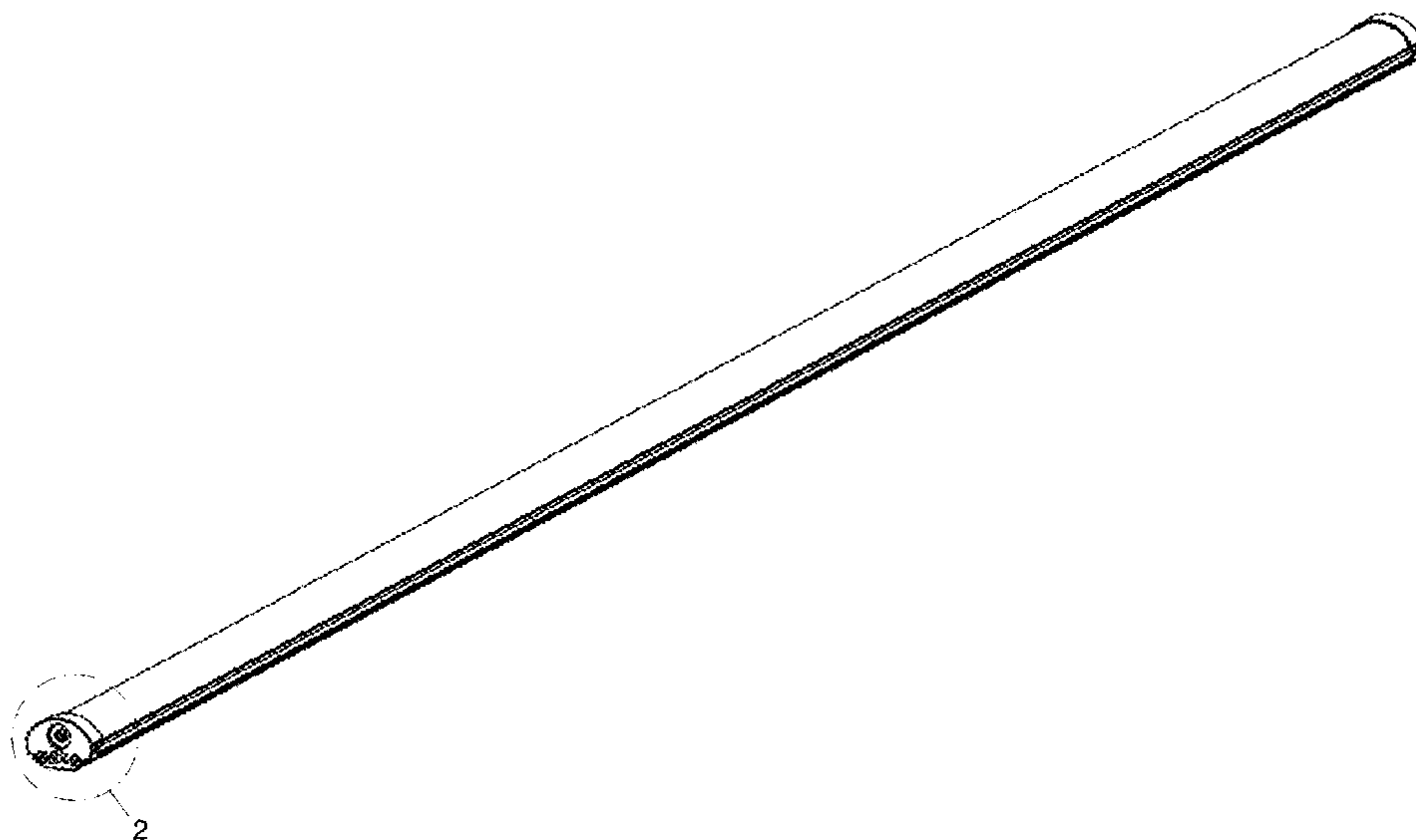
(57) **CLAIM**

The ornamental design for a LED lamp, as shown and described.

**DESCRIPTION**

FIG. 1 is a top perspective end view showing our new design for a LED lamp,  
FIG. 2 is an enlarged perspective view taken from the boundary circle 2 in FIG. 1 thereof,  
FIG. 3 is the left end view thereof,  
FIG. 4 is a right end view thereof;  
FIG. 5 is a bottom perspective opposite end view thereof,  
FIG. 6 is an enlarged perspective view taken from the boundary circle 6 in FIG. 5 of the right end thereof; and,  
FIG. 7 is a bottom perspective view thereof.

**1 Claim, 7 Drawing Sheets**



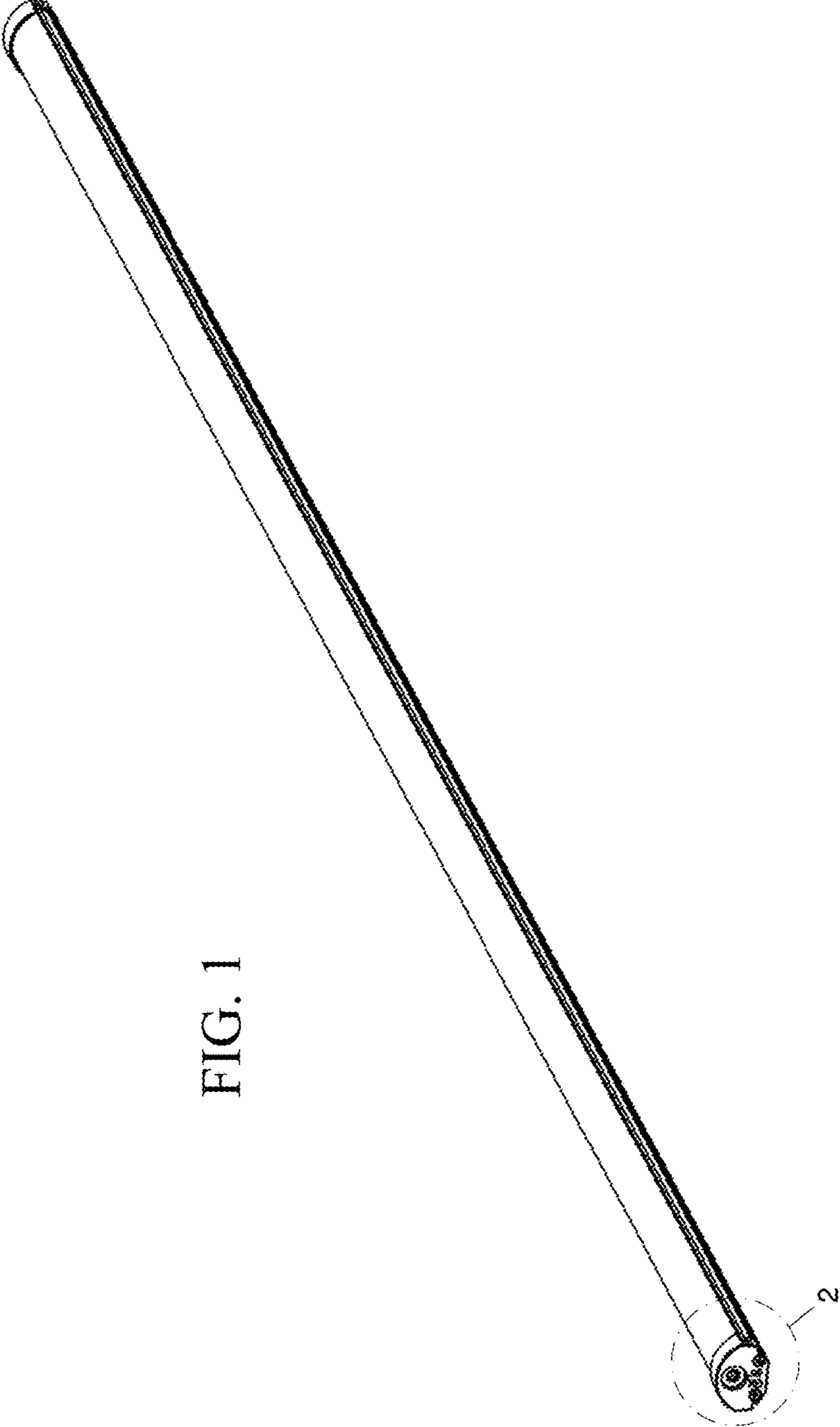


FIG. 1

2

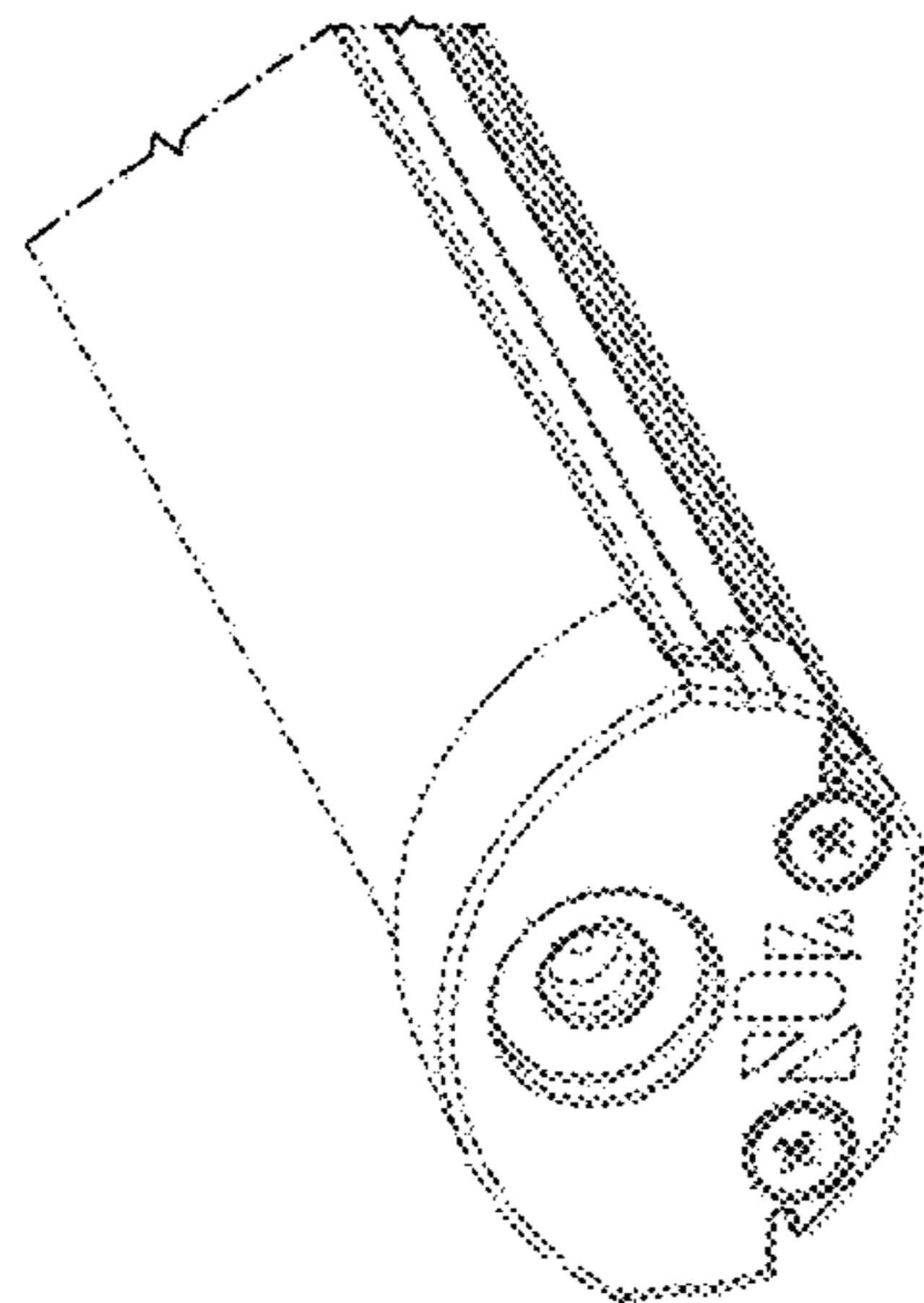


FIG. 2

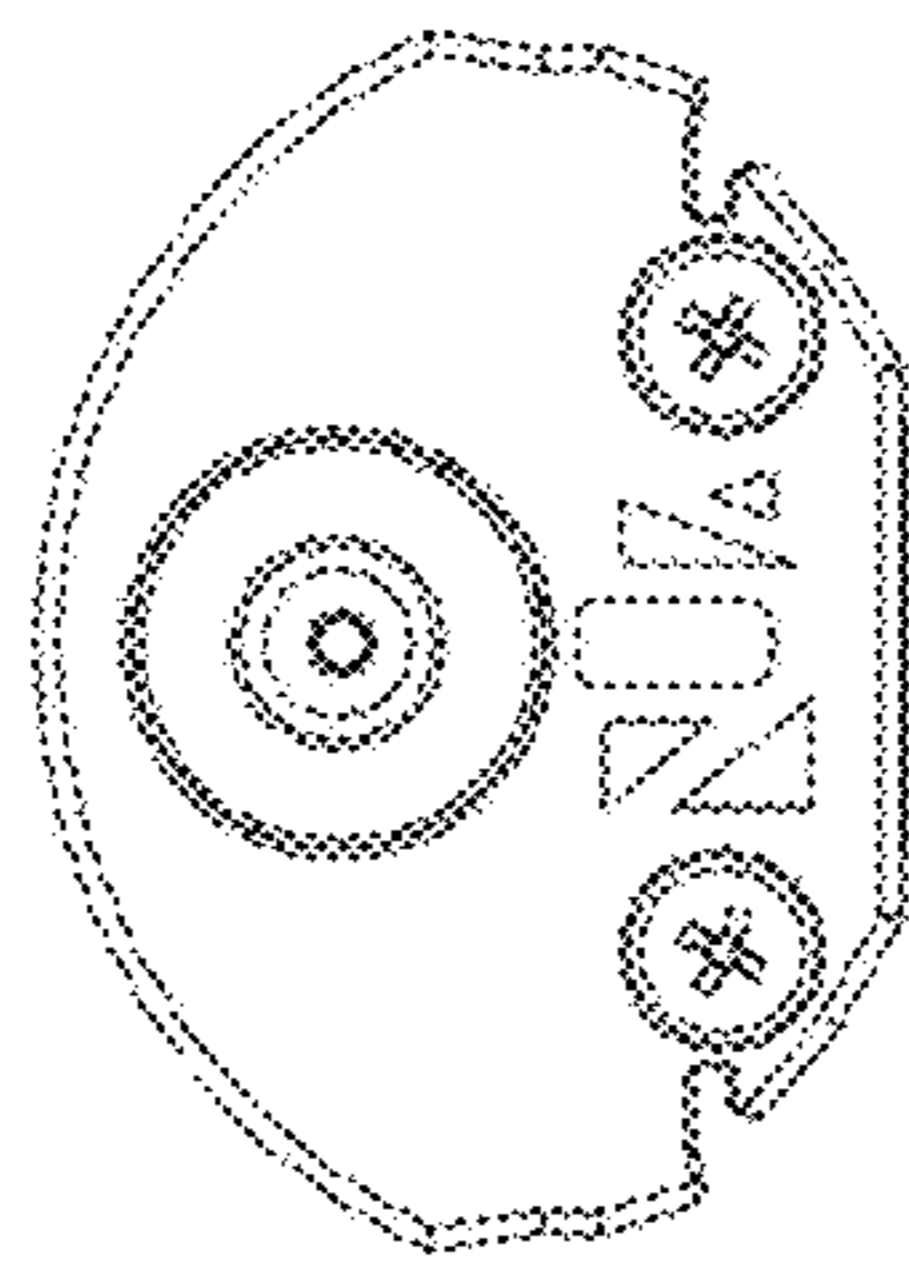


FIG. 3

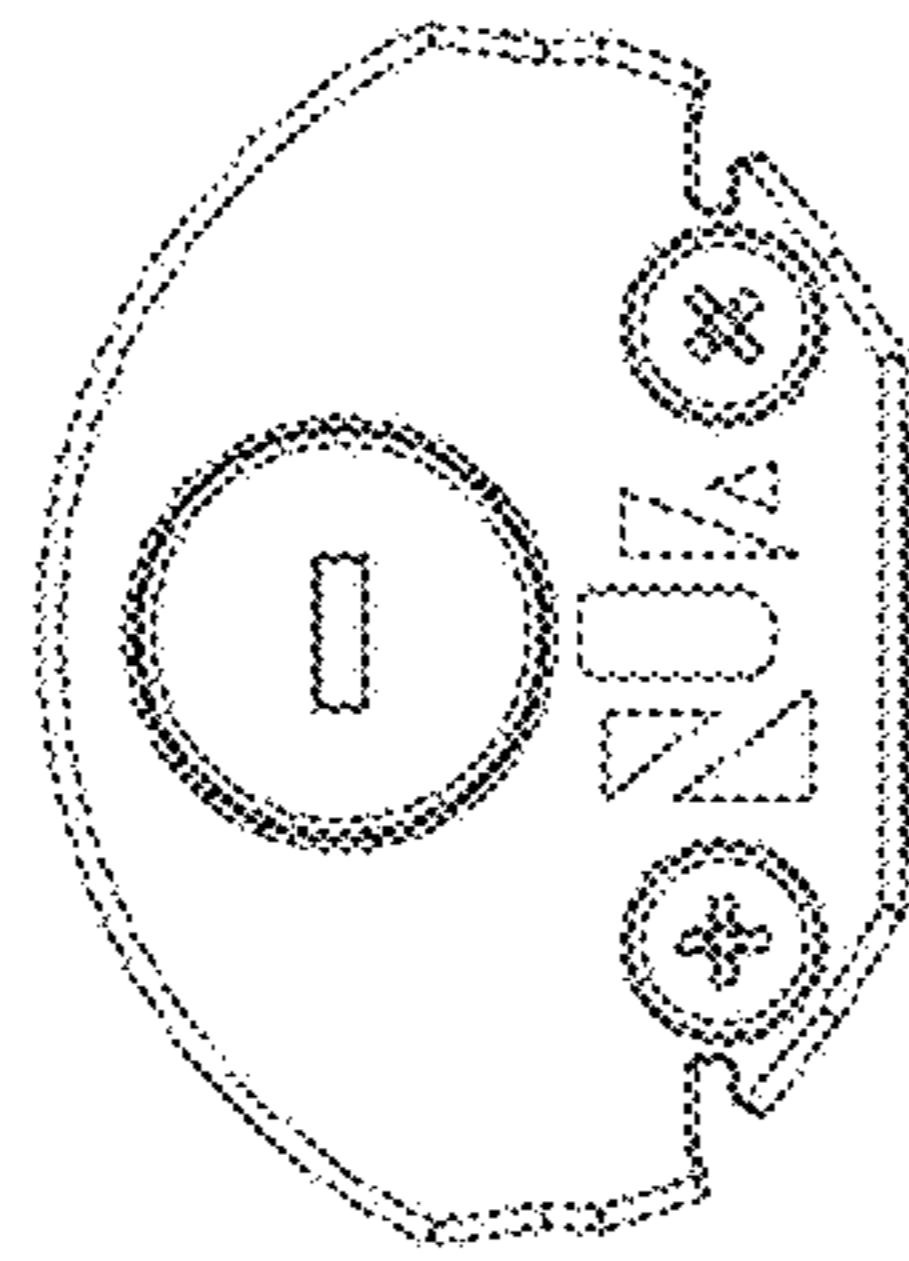


FIG. 4

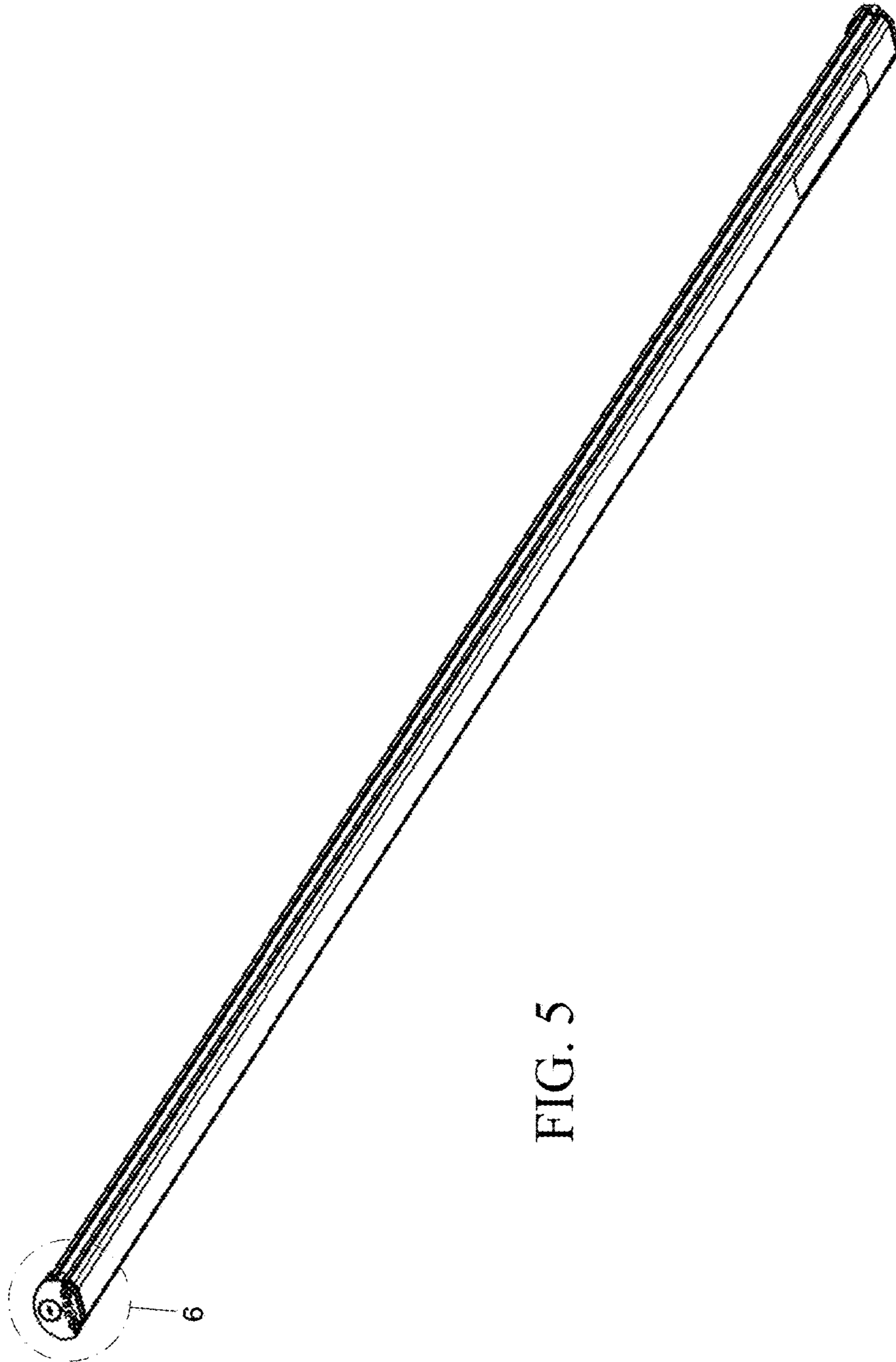


FIG. 5

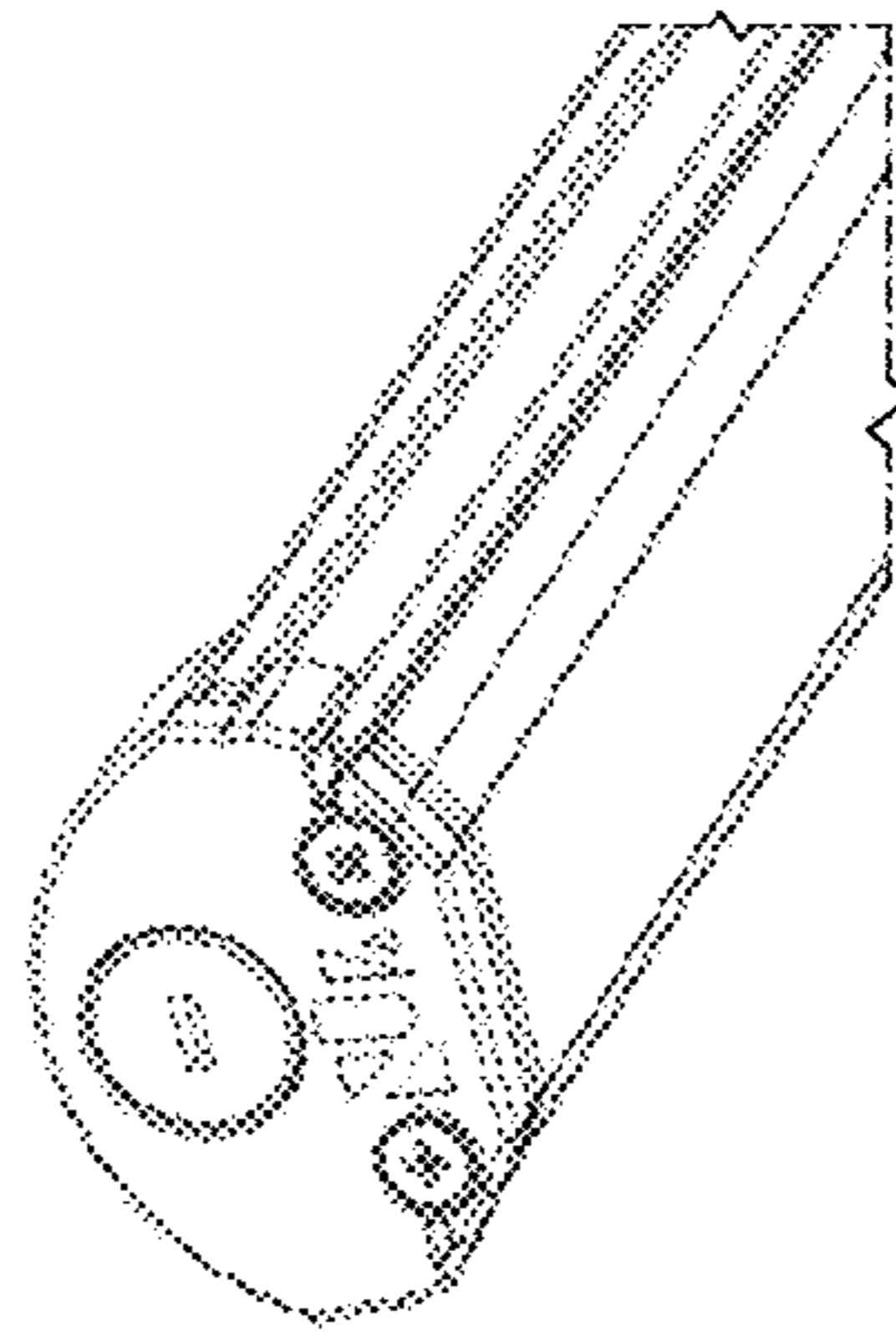


FIG. 6

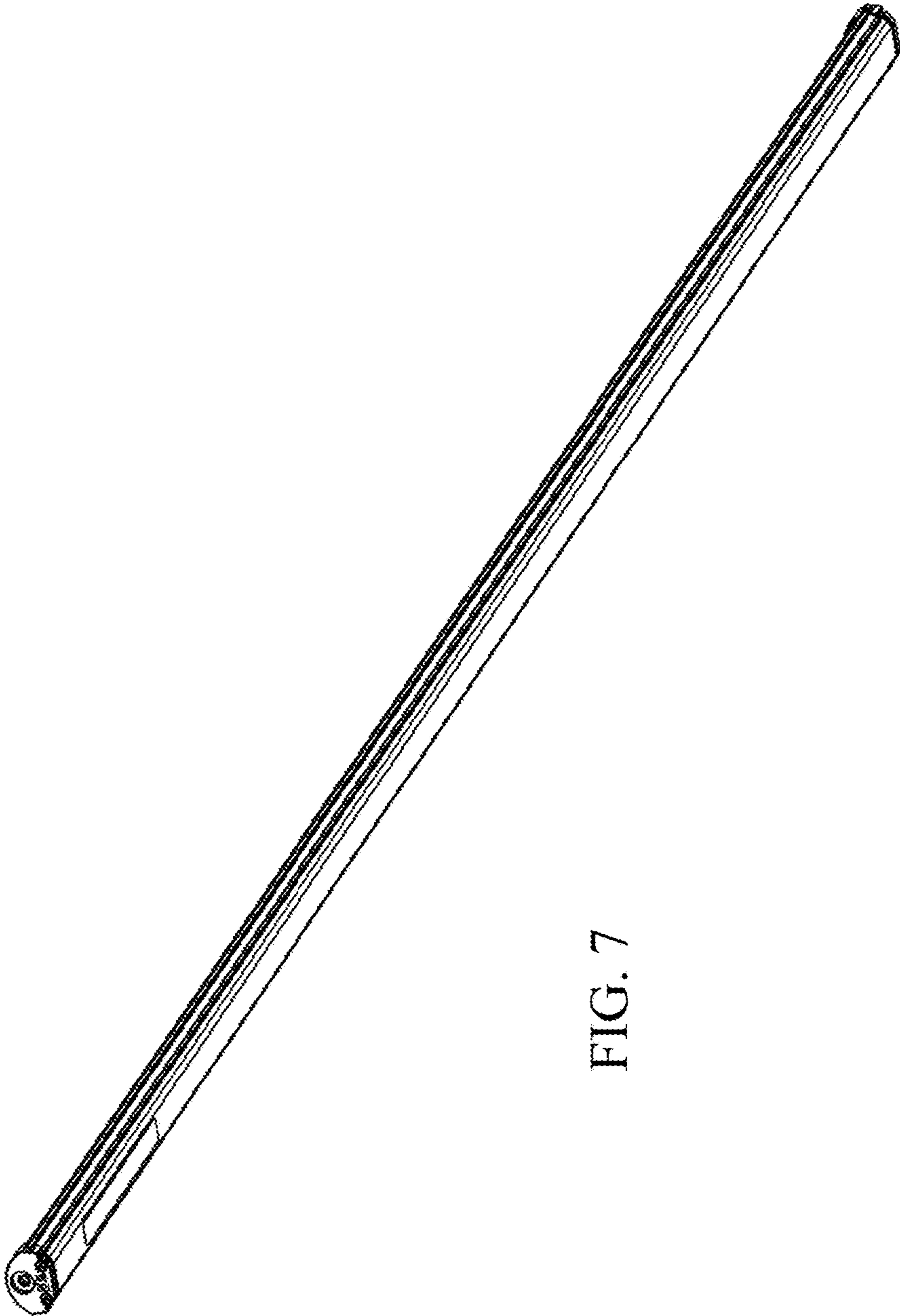


FIG. 7