



US00D854725S

(12) **United States Design Patent**
Goetz-Schaefer

(10) **Patent No.:** **US D854,725 S**

(45) **Date of Patent:** **** Jul. 23, 2019**

(54) **LUMINAIRE**

(71) Applicant: **ZUMTOBEL LIGHTING GMBH,**
Lemgo (DE)

(72) Inventor: **Katharina Goetz-Schaefer,** Bad
Salzuflen (DE)

(73) Assignee: **Zumtobel Lighting GMBH,** Lemgo
(DE)

(**) Term: **15 Years**

(21) Appl. No.: **29/643,103**

(22) Filed: **Apr. 4, 2018**

(30) **Foreign Application Priority Data**

Oct. 4, 2017 (EM) 004 385 185

(51) **LOC (11) Cl.** **26-05**

(52) **U.S. Cl.**
USPC **D26/74**

(58) **Field of Classification Search**

USPC D26/74, 72, 75, 76, 77, 78, 85, 88, 89,
D26/118, 138, 141; 362/364, 365, 373,
362/145, 146, 147, 148, 150, 153, 153.1,
362/294, 296.01, 296, 296.08
CPC F21V 29/2262; F21V 7/06; F21V 21/044;
F21V 21/047; F21V 29/2212; F21V
29/2225; F21V 29/2256; F21V 29/225;
F21V 29/2268; F21Y 2111/002; F21S
8/02; F21S 8/026

See application file for complete search history.

(56) **References Cited**

U.S. PATENT DOCUMENTS

D681,859 S * 5/2013 Beregszaszi D26/74
D692,173 S * 10/2013 Rashidi D26/74

D696,448 S * 12/2013 Huh D26/74
D710,047 S * 7/2014 Hildebrandt D26/74
D768,326 S * 10/2016 Guzzini D26/74
D778,484 S * 2/2017 Guzzini D26/74
D786,472 S * 5/2017 Redfern D26/74
D808,058 S * 1/2018 Johnson D26/74
D809,176 S * 1/2018 Partington D26/74
D810,345 S * 2/2018 Redfern D26/74
D827,903 S * 9/2018 Wu D26/74
D831,256 S * 10/2018 Partington D26/74
D841,217 S * 2/2019 Rybol D26/74

* cited by examiner

Primary Examiner — Angela J Lee

(74) *Attorney, Agent, or Firm* — Scully, Scott, Murphy &
Presser, P.C.

(57) **CLAIM**

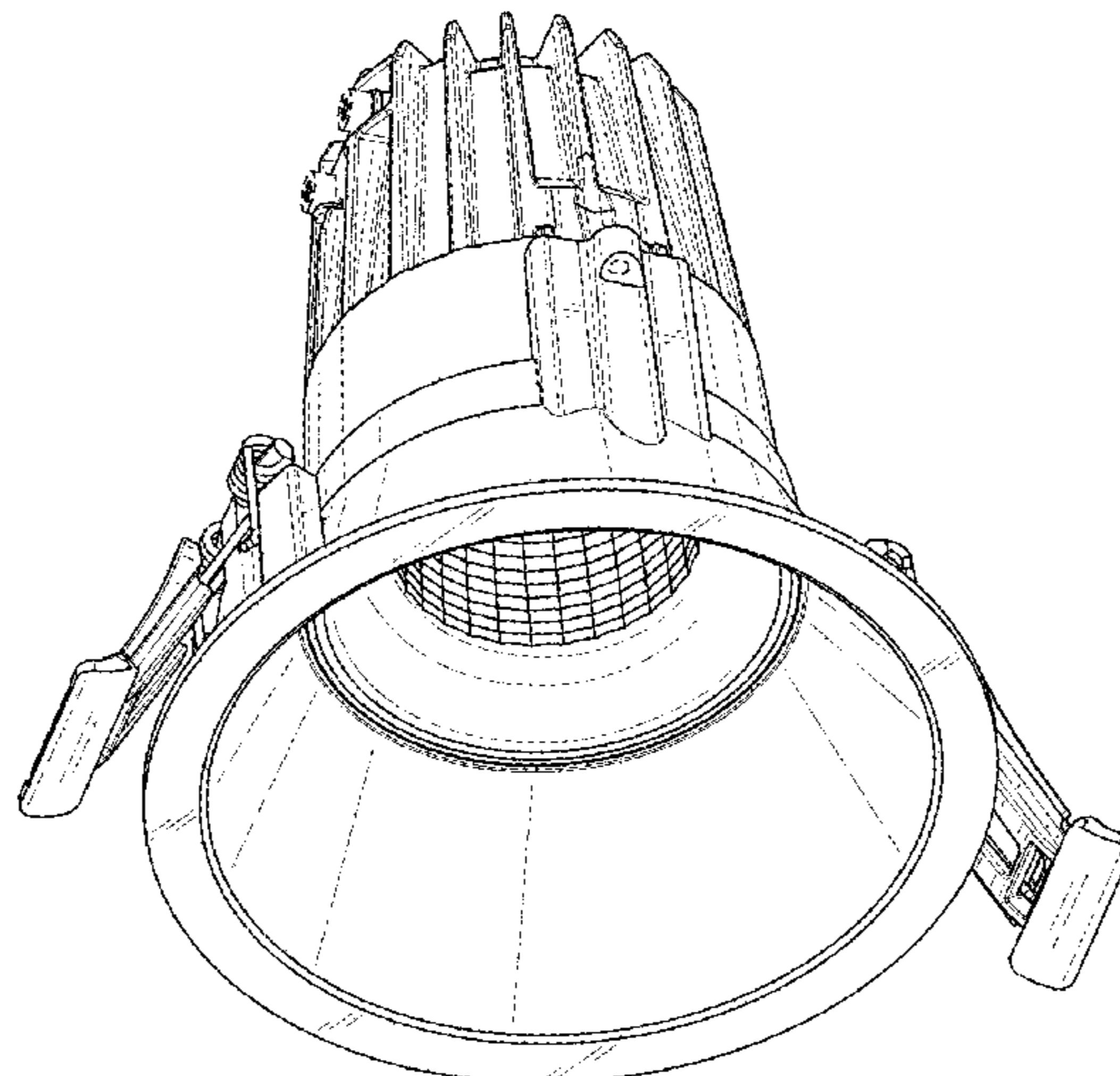
The ornamental design for a luminaire, as shown and
described.

DESCRIPTION

FIG. 1 illustrates a bottom perspective view of a luminaire
showing my new and ornamental design;
FIG. 2 illustrates a side perspective view thereof;
FIG. 3 illustrates a top perspective view thereof;
FIG. 4 illustrates a side view thereof;
FIG. 5 illustrates an alternate side view thereof;
FIG. 6 illustrates a bottom view thereof; and,
FIG. 7 illustrates a top view thereof.

The broken lines are included for the purpose of illustrating
portions of the article that form no part of the claimed
design.

1 Claim, 7 Drawing Sheets



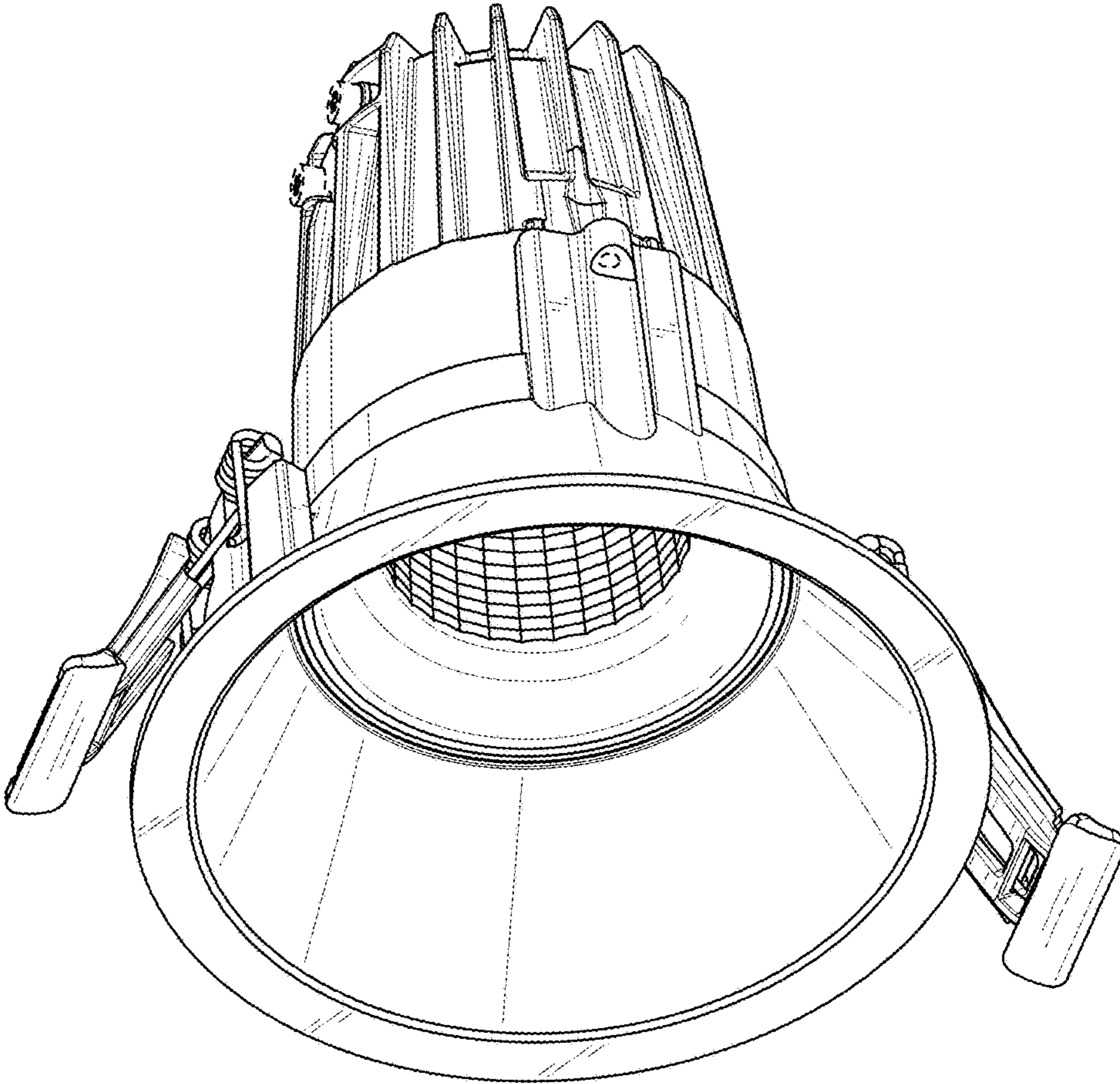


FIG. 1

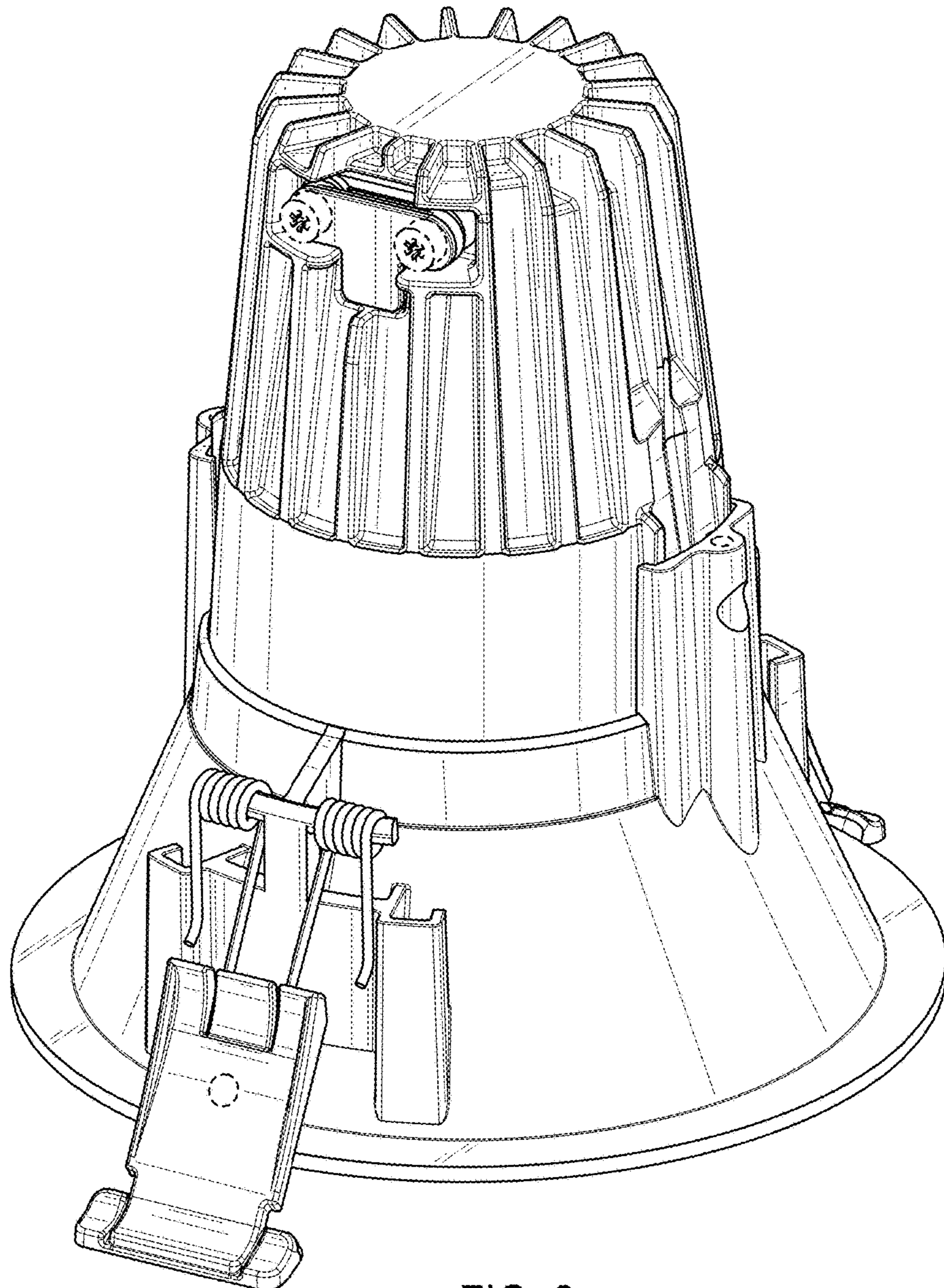


FIG. 2

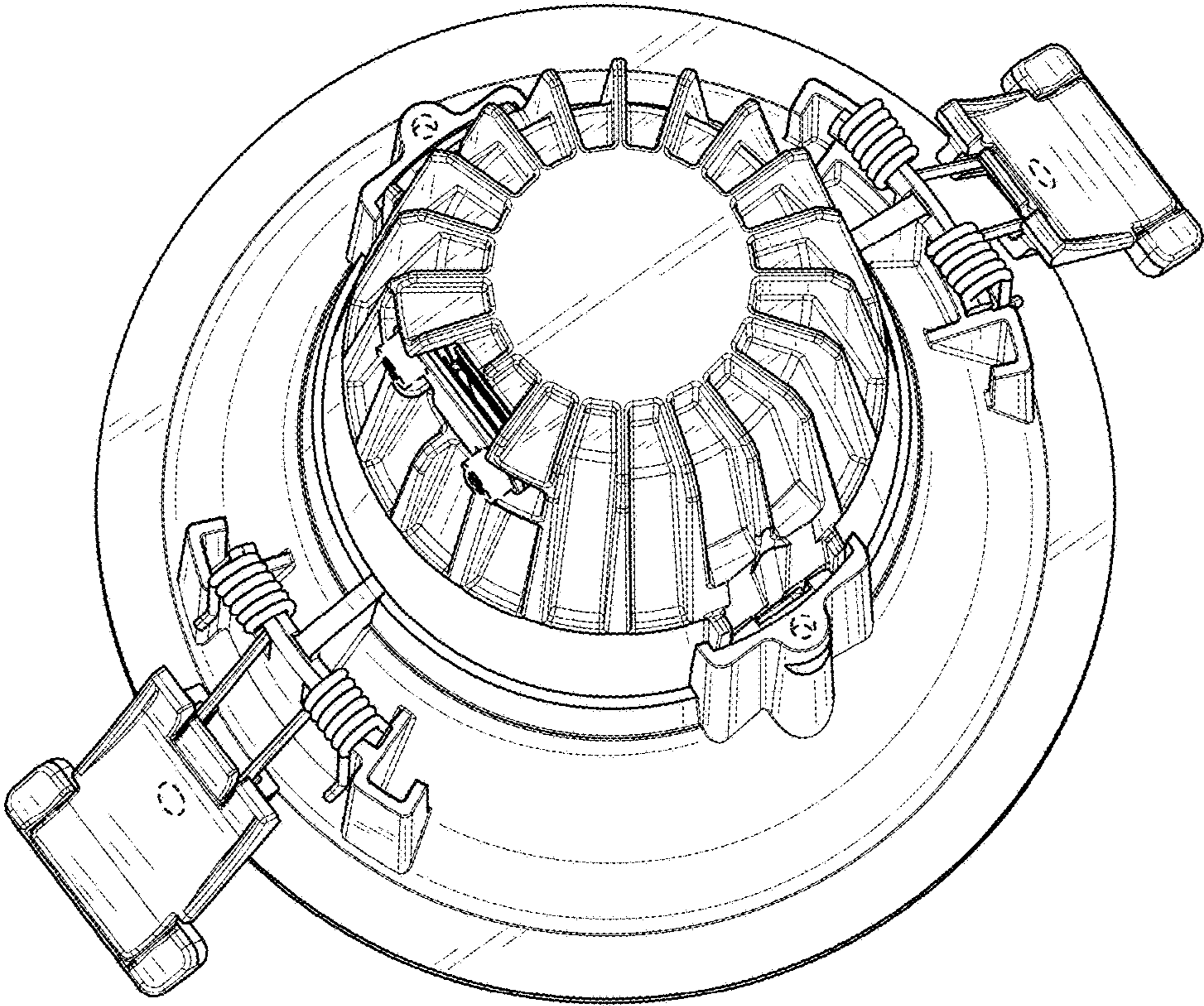


FIG. 3

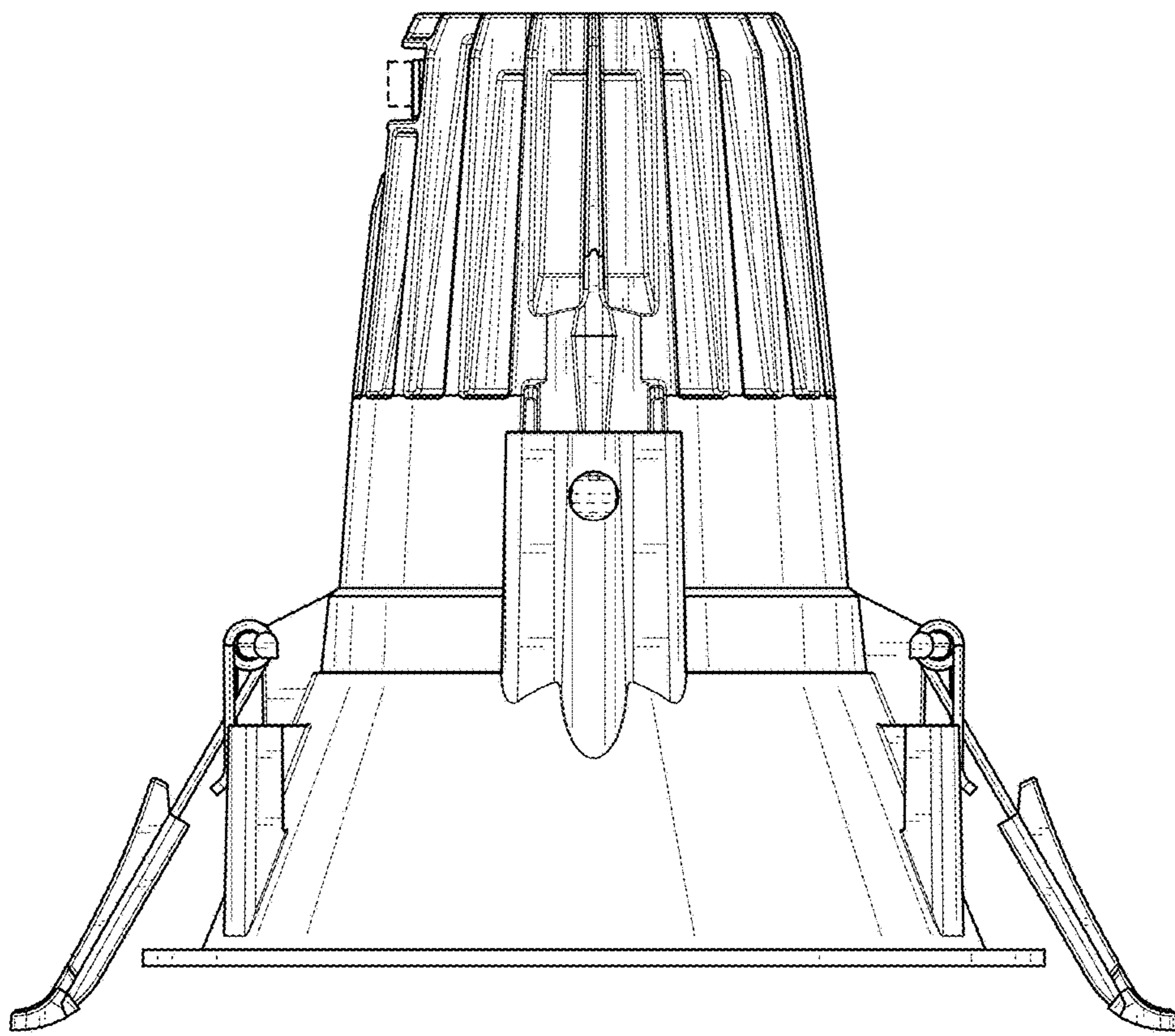


FIG. 4

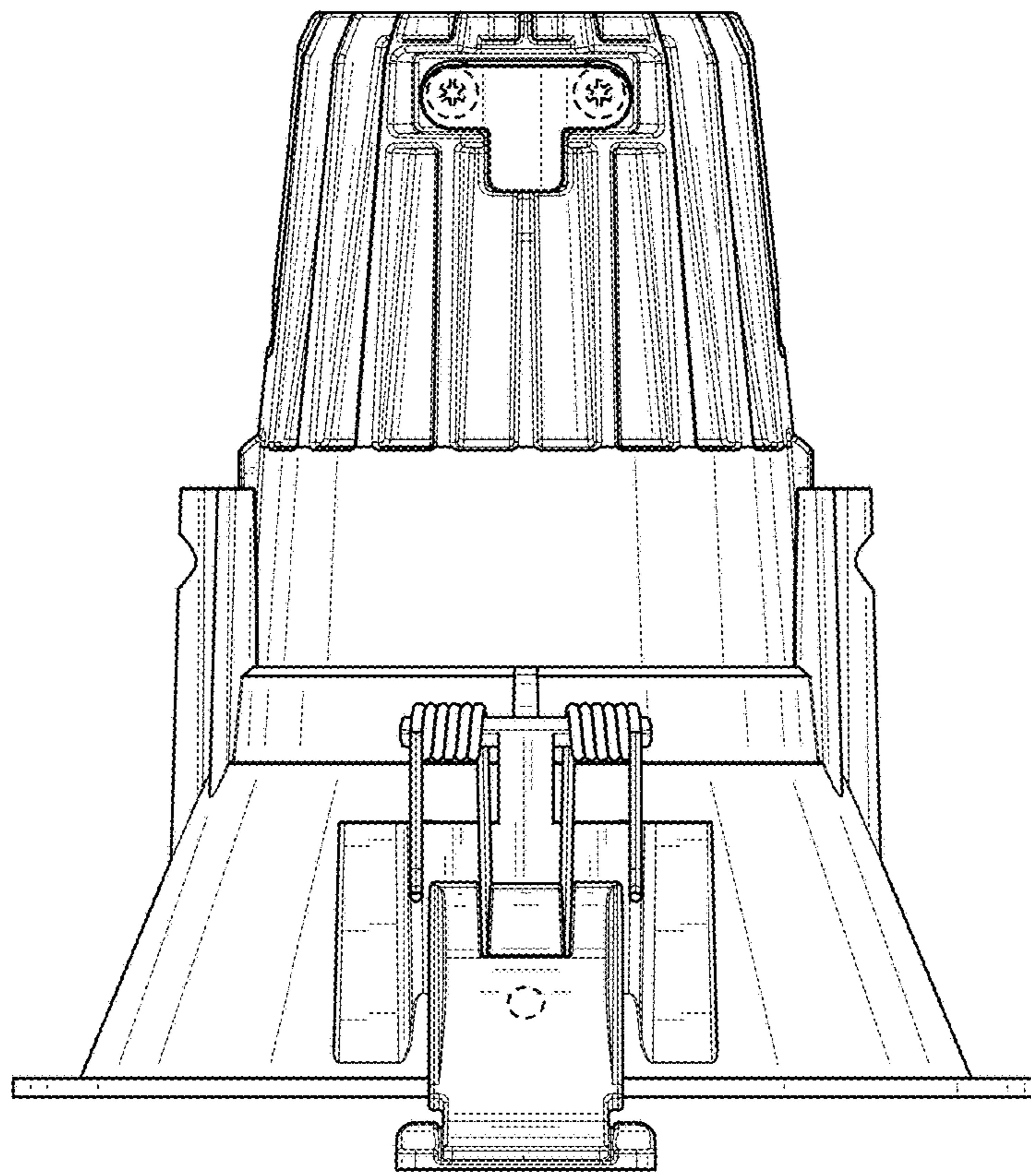


FIG. 5

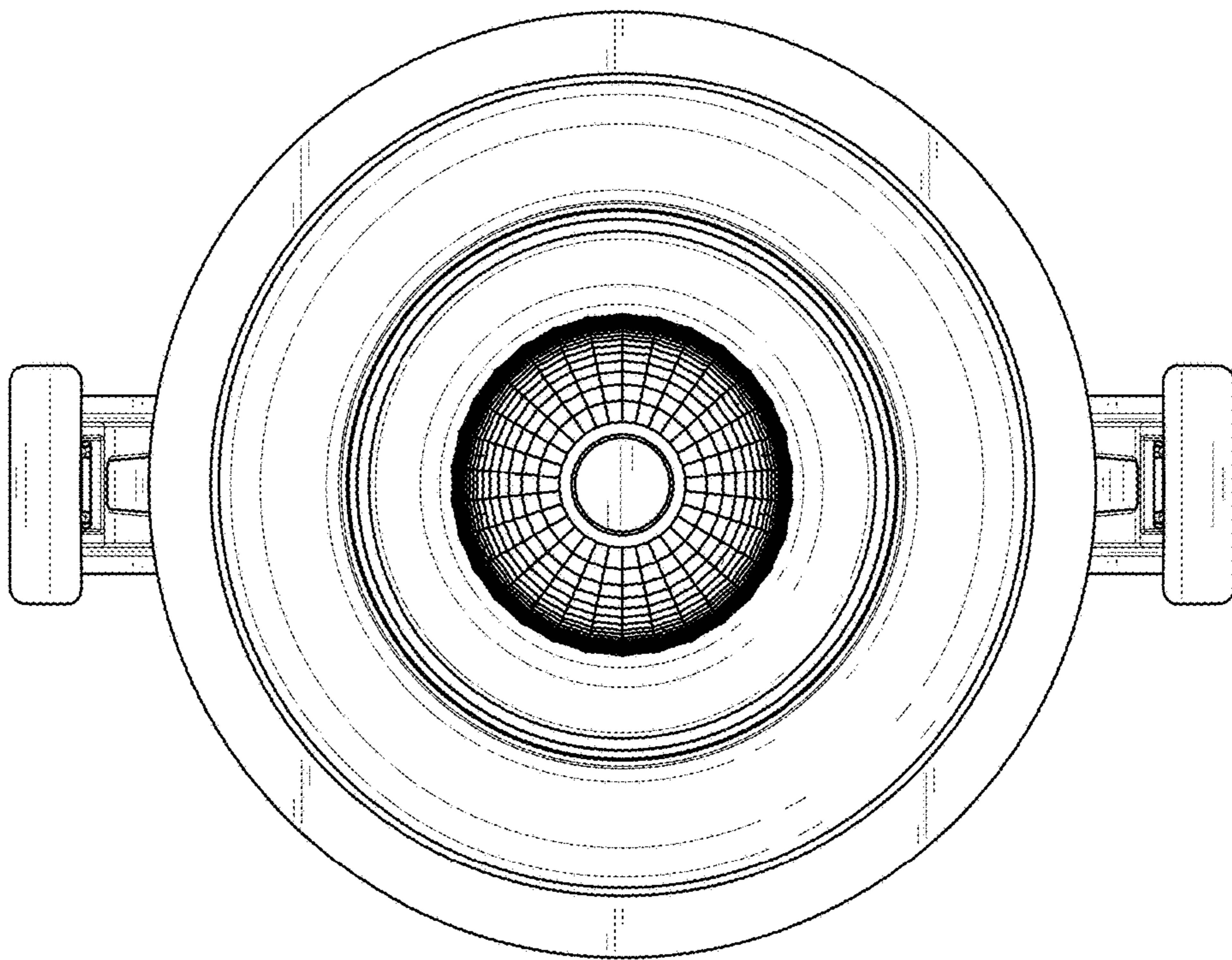


FIG. 6

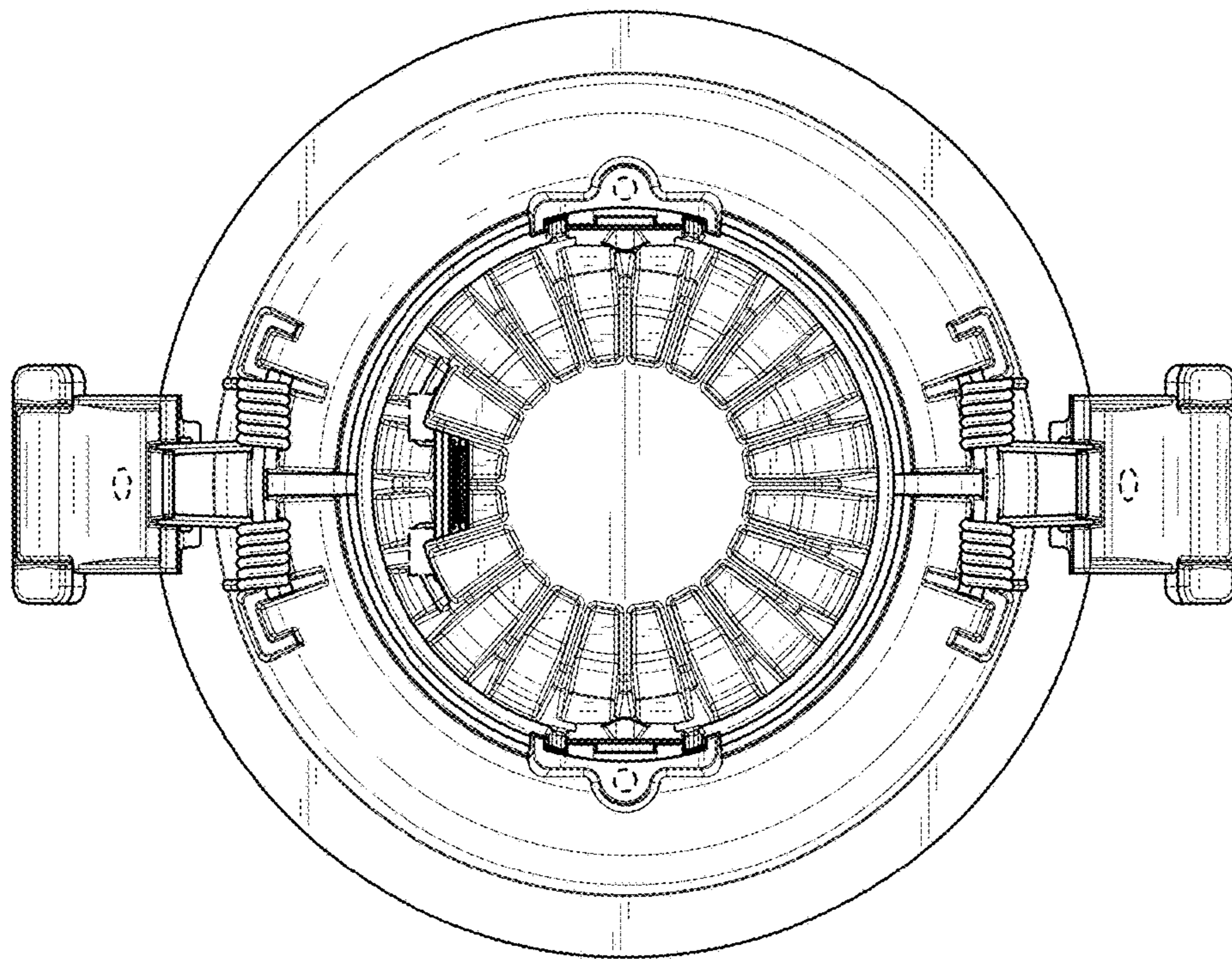


FIG. 7