



US00D854724S

(12) **United States Design Patent**
Martinez Weber

(10) **Patent No.:** **US D854,724 S**

(45) **Date of Patent:** **** Jul. 23, 2019**

(54) **LIGHTING FIXTURE**

(71) Applicant: **ANTARES ILUMINACIÓN, S.A.U.**,
Ribarroja (Valencia) (ES)

(72) Inventor: **Federico Martinez Weber**, Ribarroja
(ES)

(73) Assignee: **ANTARRES ILUMINACION, S.A.U.**,
Ribarroja (Valencia) (ES)

(**) Term: **15 Years**

(21) Appl. No.: **29/634,526**

(22) Filed: **Jan. 23, 2018**

(30) **Foreign Application Priority Data**

Jan. 9, 2018 (EM) 004642510-0001

(51) **LOC (11) Cl.** **26-05**

(52) **U.S. Cl.**
USPC **D26/74**

(58) **Field of Classification Search**

USPC D26/74, 72, 75, 76, 77, 78, 85, 88, 89,
D26/118, 138, 141; 362/364, 365, 373,
362/145, 146, 147, 148, 150, 153, 153.1,
362/294, 296.01, 296, 296.08
CPC F21V 29/2262; F21V 7/06; F21V 21/044;
F21V 21/047; F21V 29/2212; F21V
29/2225; F21V 29/2256; F21V 29/225;
F21V 29/2268; F21Y 2111/002; F21S
8/02; F21S 8/026
See application file for complete search history.

(56) **References Cited**

U.S. PATENT DOCUMENTS

D544,625 S * 6/2007 Chen D26/61
D545,988 S * 7/2007 Goetz-Schaefer D26/71

D613,443 S * 4/2010 Chen D26/70
D625,875 S * 10/2010 Chen D26/74
D636,922 S * 4/2011 Yoshida D26/74
D684,290 S * 6/2013 Goelz D26/74
D714,989 S * 10/2014 Rowlette, Jr. D26/74
D741,533 S * 10/2015 Yeh D26/72
D745,207 S * 12/2015 Guzzini D26/118
D779,099 S * 2/2017 Beck D26/74
D782,721 S * 3/2017 Cohen D26/74
D816,256 S * 4/2018 Benghozi D26/74
D828,605 S * 9/2018 Wronski D26/74

* cited by examiner

Primary Examiner — Angela J Lee

(74) *Attorney, Agent, or Firm* — Abelman, Frayne &
Schwab

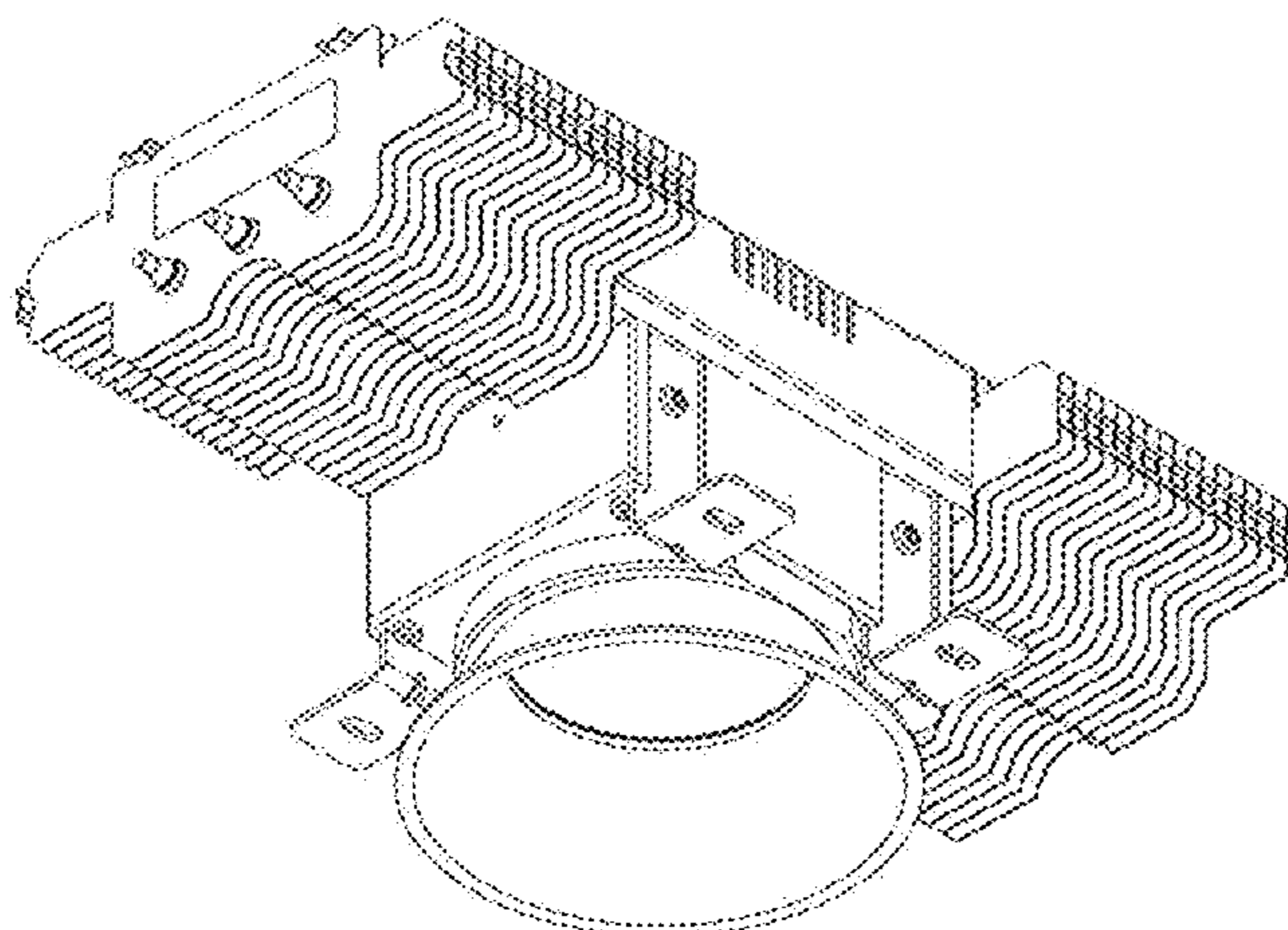
(57) **CLAIM**

The ornamental design for a lighting fixture, as shown and described.

DESCRIPTION

FIG. 1 is a top, front, left side perspective view of a lighting fixture showing our new design;
FIG. 2 is a front elevational view, the rear being a mirror image thereof;
FIG. 3 is a top plan view thereof;
FIG. 4 is a right side elevational view thereof;
FIG. 5 is a bottom plan view thereof;
FIG. 6 is a left side elevational view thereof;
FIG. 7 is a bottom, front, right side perspective view thereof;
FIG. 8 is a top, front, right side perspective view thereof;
and,
FIG. 9 is a bottom, front, left side perspective view thereof.

1 Claim, 9 Drawing Sheets



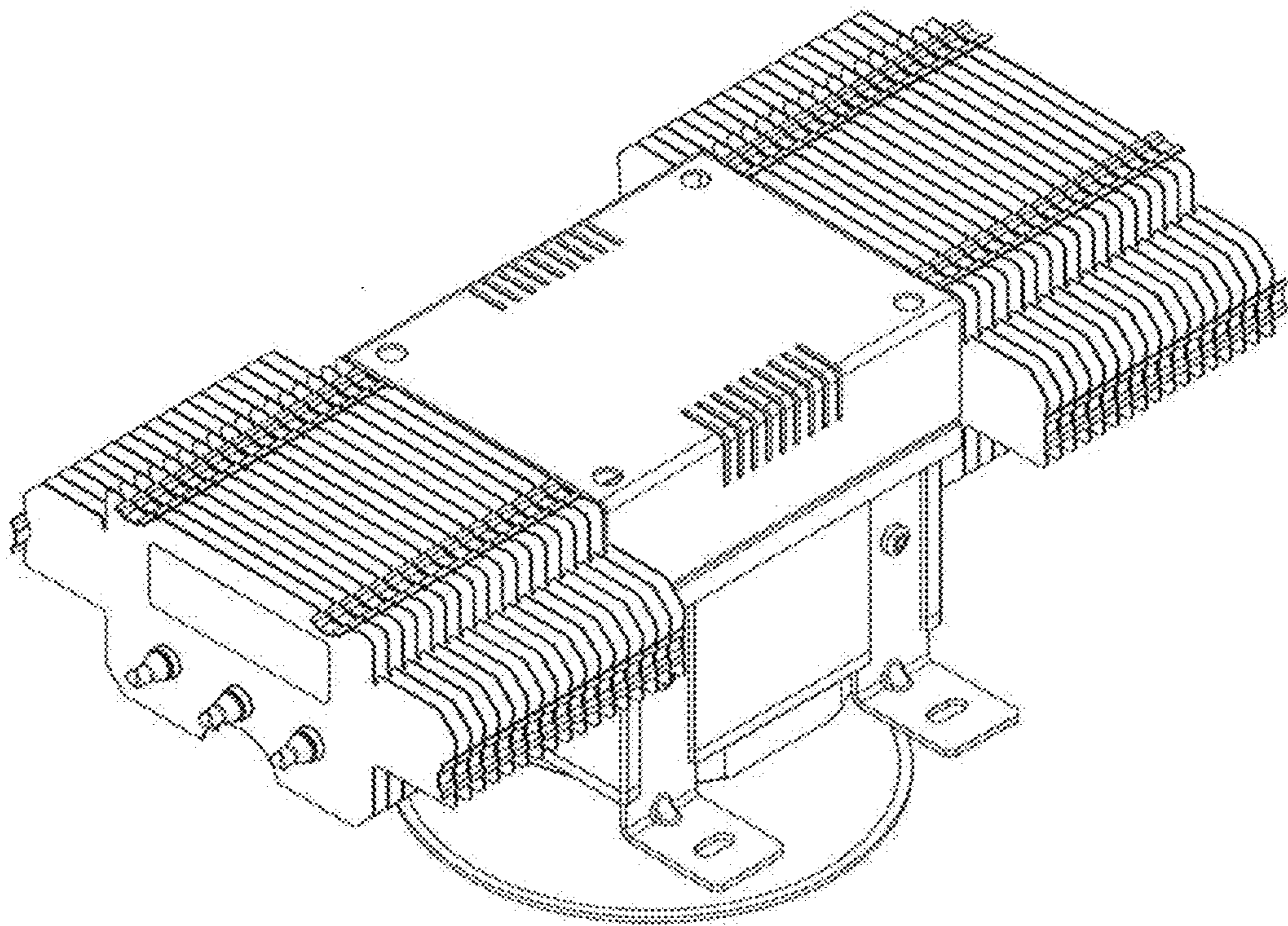


FIG. 1

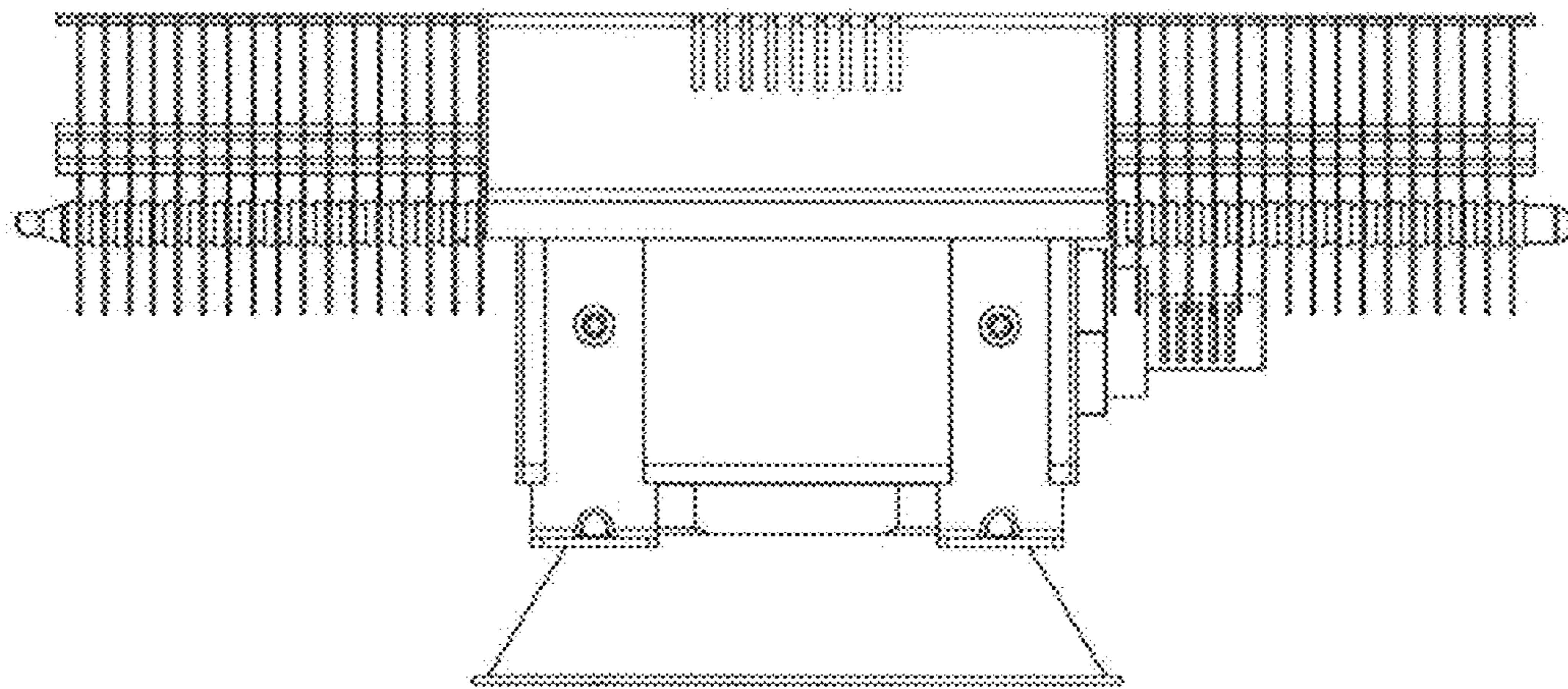


FIG. 2

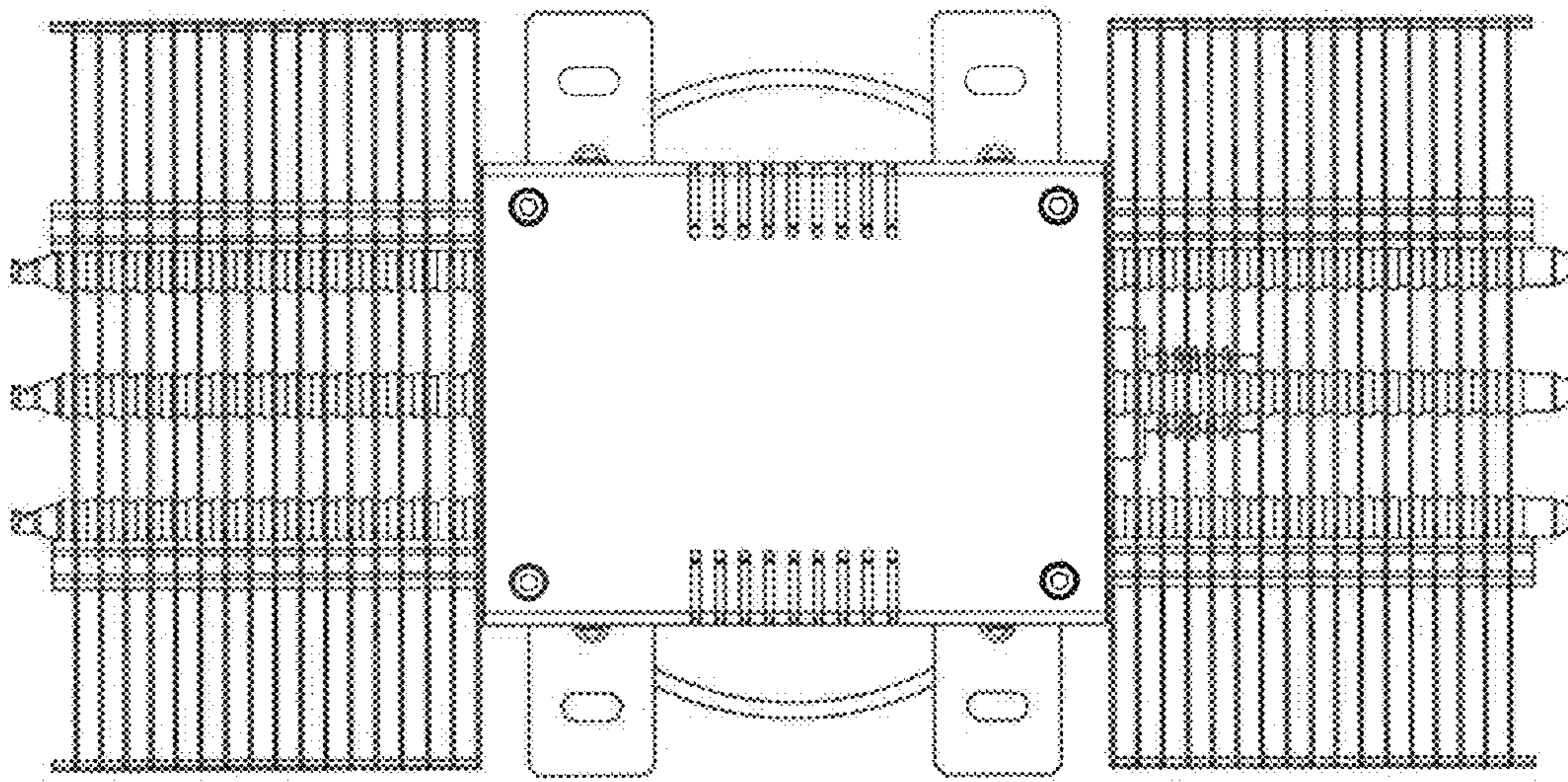


FIG. 3

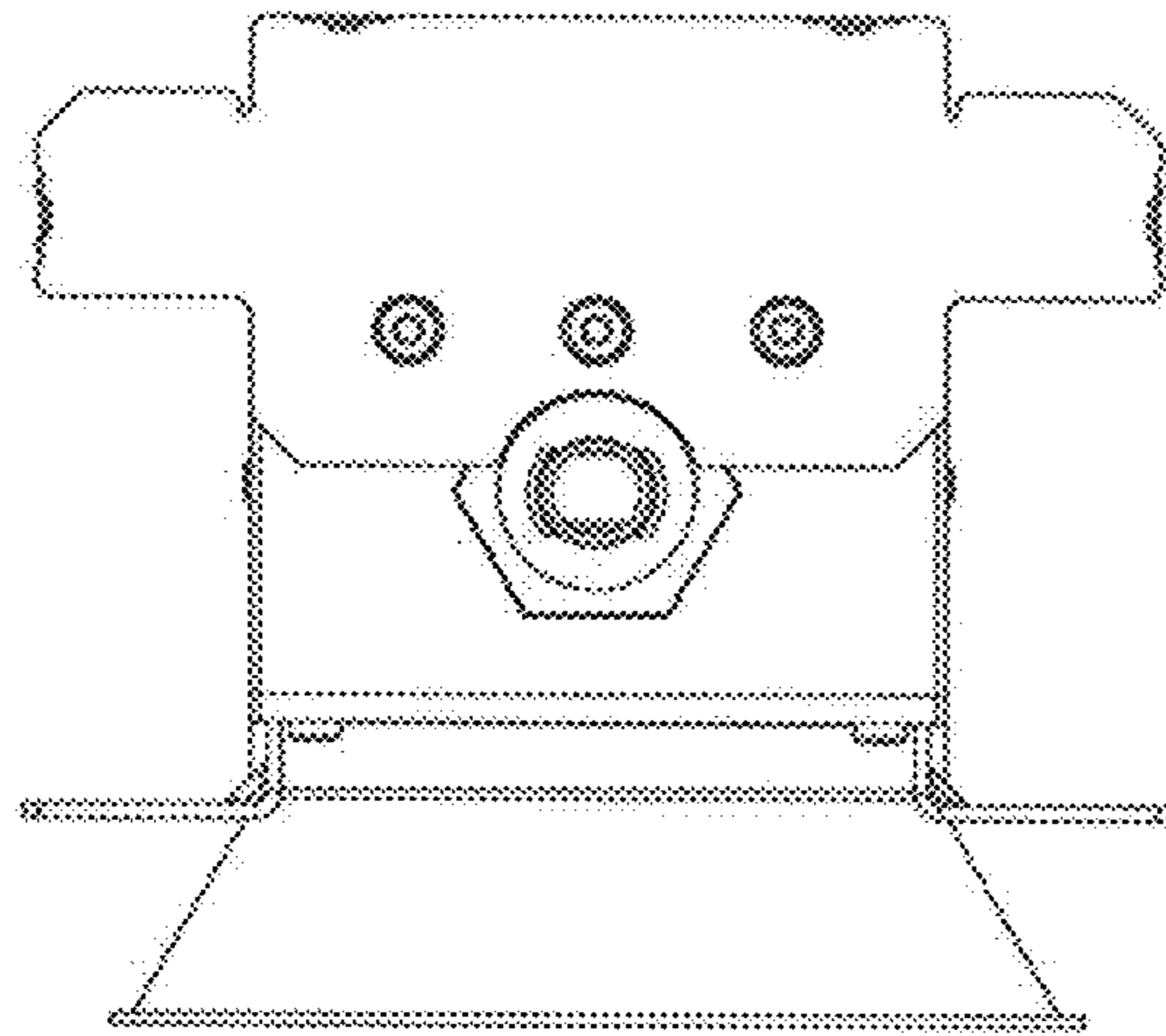


FIG. 4

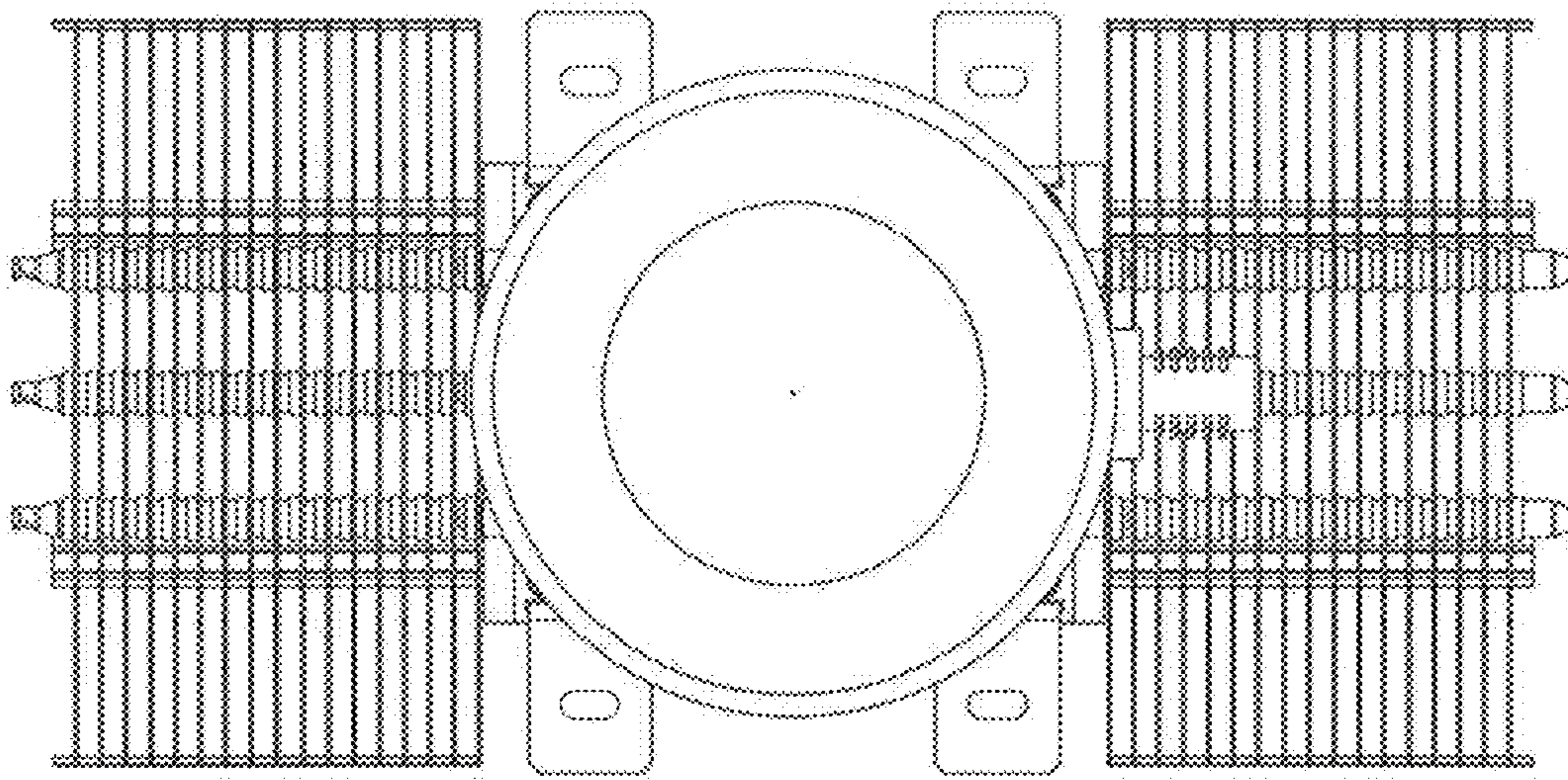


FIG. 5

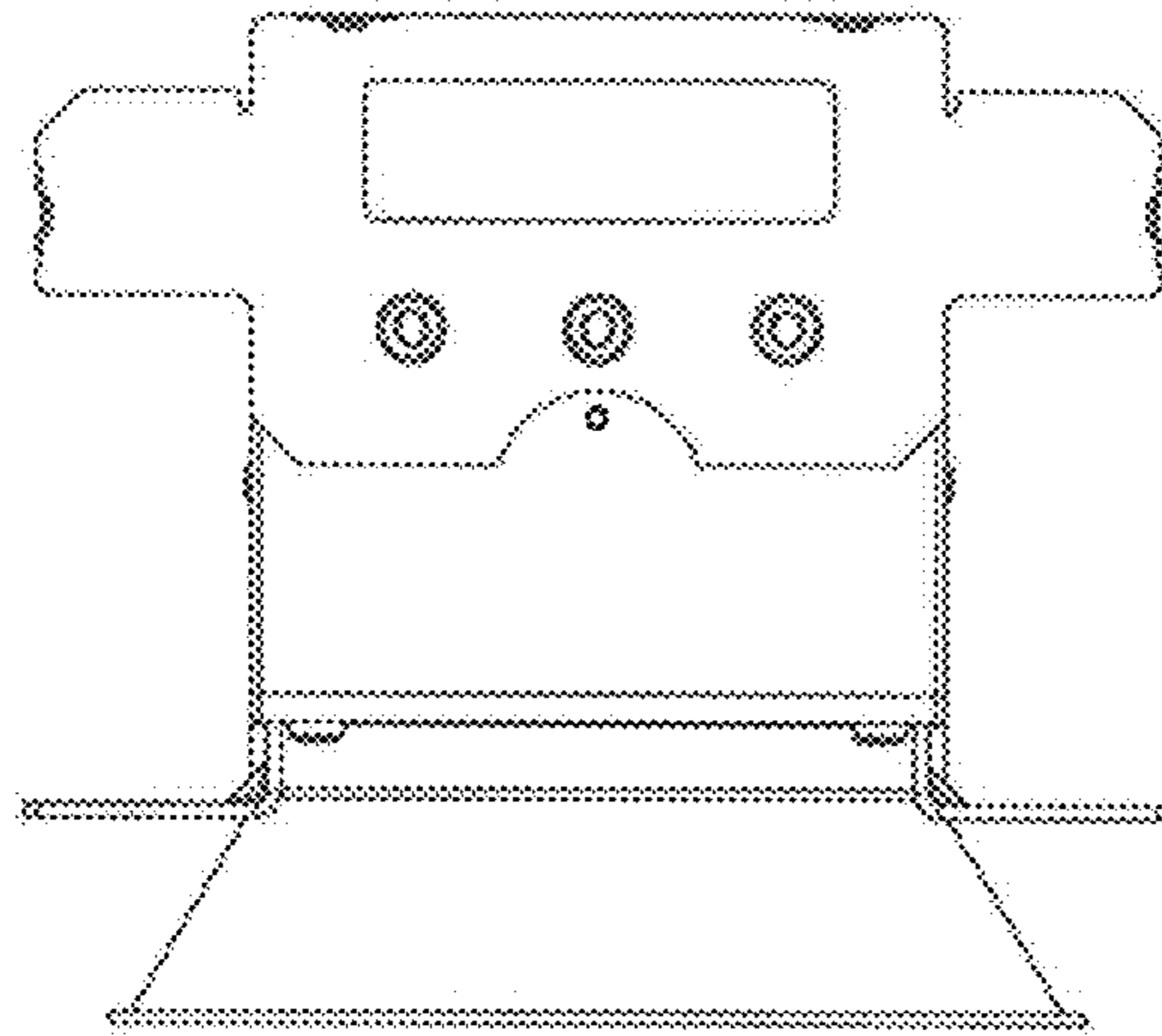


FIG. 6

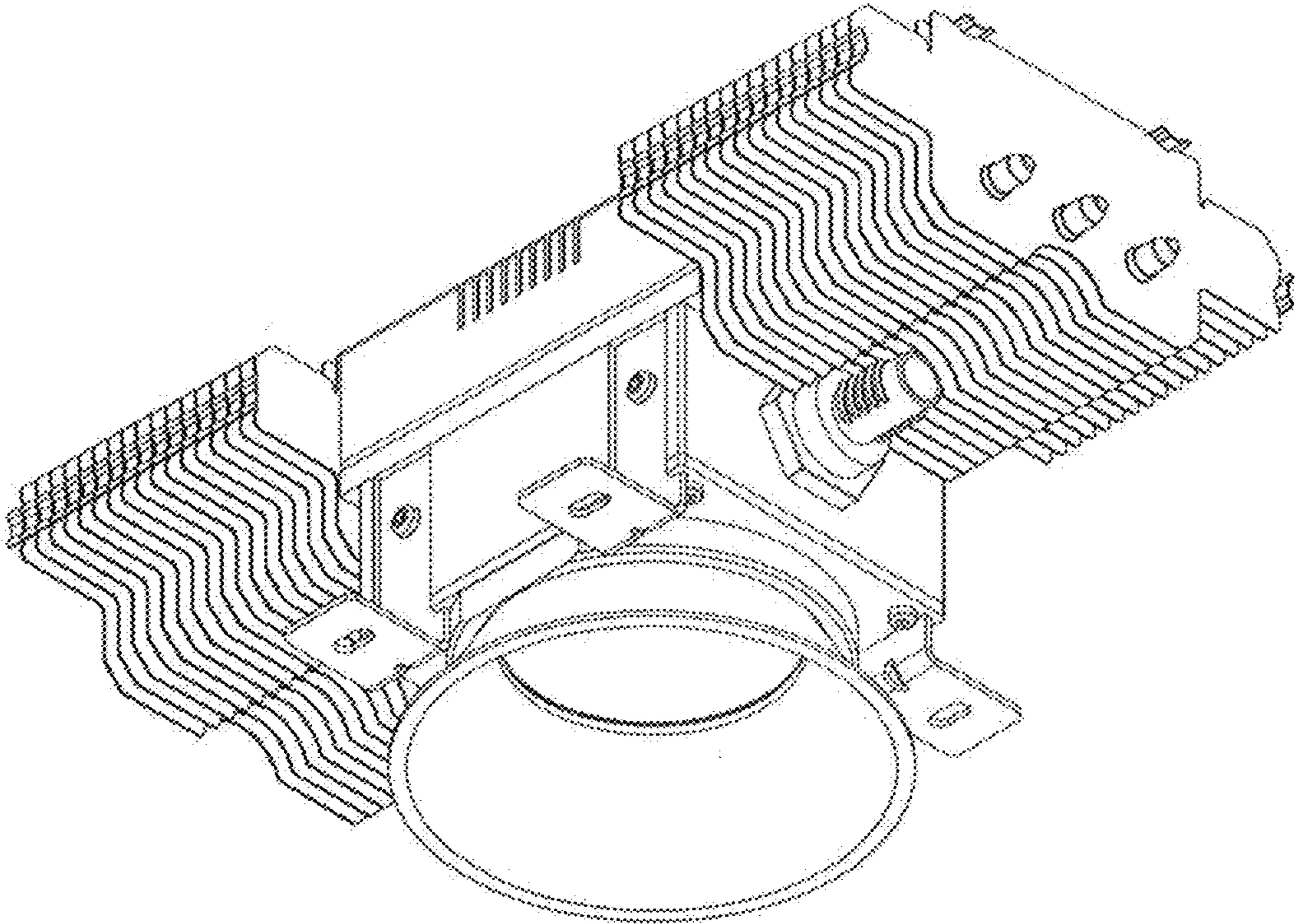


FIG. 7

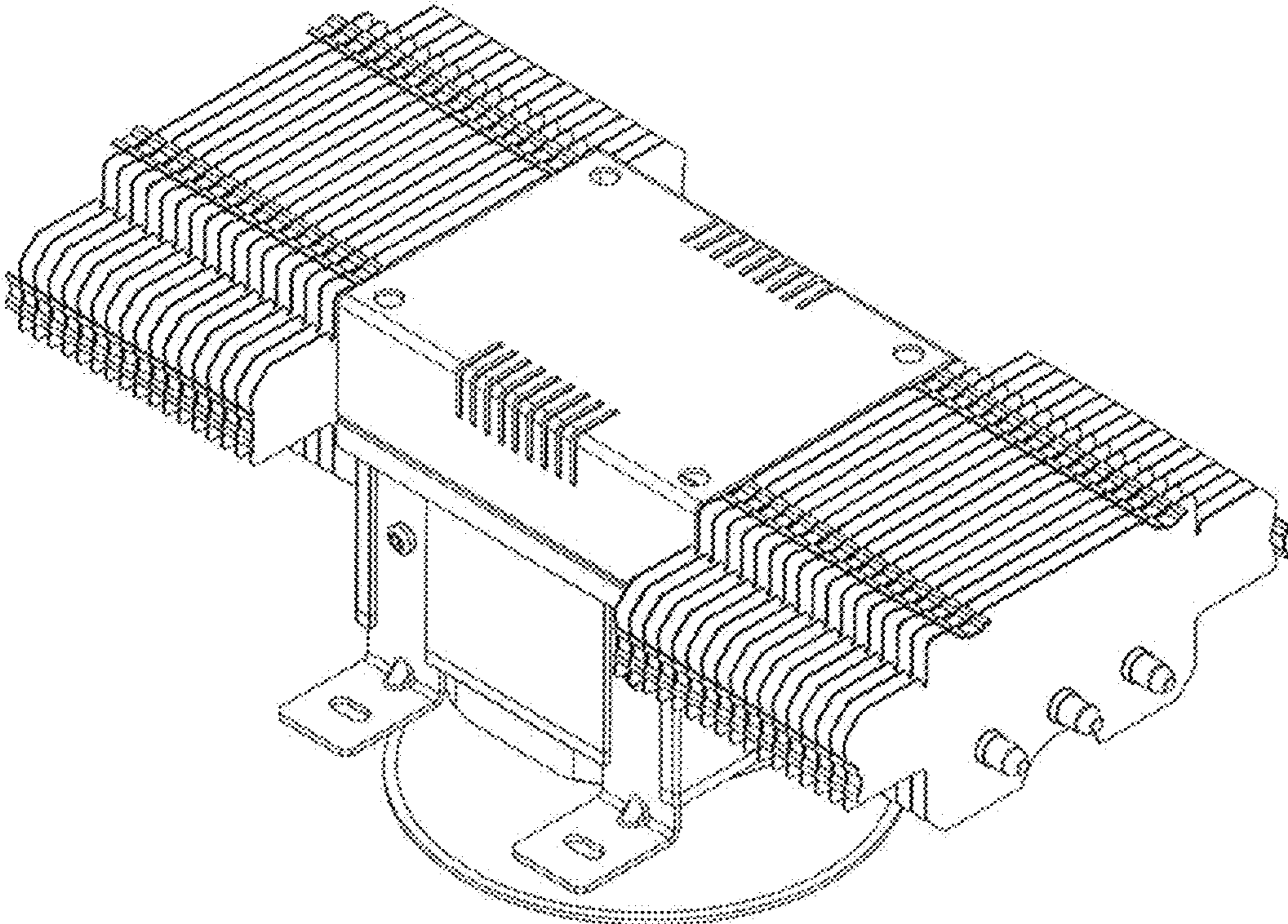


FIG. 8

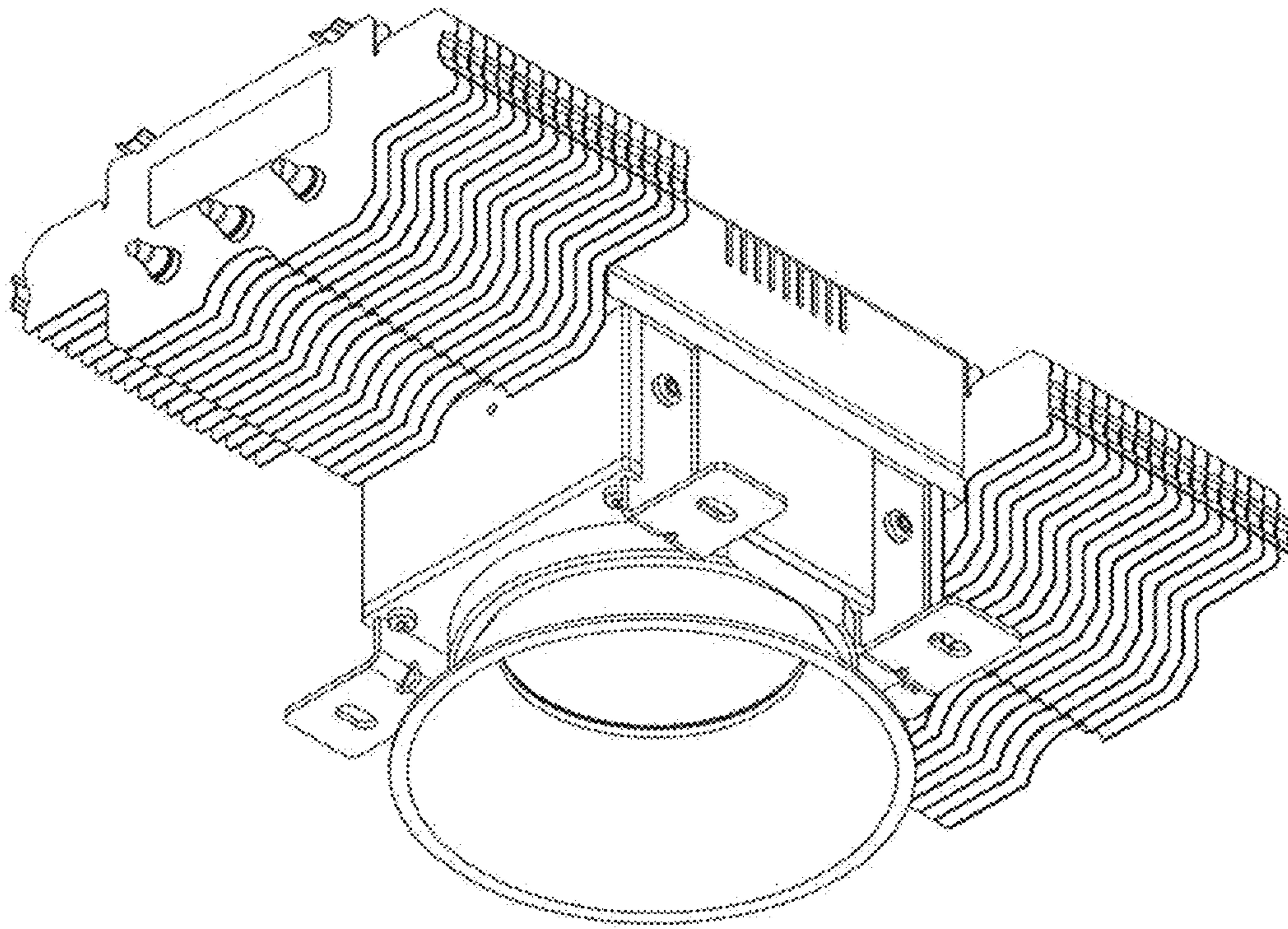


FIG. 9