



US00D854723S

(12) **United States Design Patent**
Zou et al.

(10) **Patent No.:** **US D854,723 S**
(45) **Date of Patent:** **** Jul. 23, 2019**

(54) **CANOPY LIGHT**

(71) Applicant: **GI LIGHTING TECH SHENZHEN LTD**, Shenzhen, Guangdong (CN)

(72) Inventors: **Xiaofeng Zou**, Guangdong (CN);
Qiang Li, Guangdong (CN); **Zhijin Lin**, Guangdong (CN)

(73) Assignee: **GI Lighting Tech Shenzhen LTD**, Shenzhen (CN)

(**) Term: **15 Years**

(21) Appl. No.: **29/622,001**

(22) Filed: **Oct. 13, 2017**

(51) **LOC (11) Cl.** **26-05**

(52) **U.S. Cl.**
USPC **D26/74**

(58) **Field of Classification Search**
USPC D26/74, 72, 75, 76, 77, 78, 85, 88, 89,
D26/118, 138, 141, 61; 362/364, 365,
362/373, 145, 146, 147, 148, 150, 153,
362/153.1, 294, 296.01, 296, 296.08
CPC F21V 29/2262; F21V 7/06; F21V 21/044;
F21V 21/047; F21V 29/2212; F21V
29/2225; F21V 29/2256; F21V 29/225;
F21V 29/2268; F21Y 2111/002; F21S
8/02; F21S 8/026

See application file for complete search history.

(56) **References Cited**

U.S. PATENT DOCUMENTS

D551,379 S * 9/2007 Maxik D26/74
D624,686 S * 9/2010 Toney, Jr. D26/72

D673,712 S * 1/2013 Patel D26/74
D698,974 S * 2/2014 Aniserowicz D26/74
D703,861 S * 4/2014 Holland D26/89
D779,101 S * 2/2017 Redfern D26/74
D783,195 S * 4/2017 Gan D26/89
D783,884 S * 4/2017 Li D26/89
D785,225 S * 4/2017 Gan D26/72
D804,076 S * 11/2017 Tong D26/74
D812,799 S * 3/2018 Shundong D26/72
D824,073 S * 7/2018 Guo D26/74
2012/0057351 A1 * 3/2012 Wilcox F21V 19/0055
362/307

* cited by examiner

Primary Examiner — Angela J Lee

(74) *Attorney, Agent, or Firm* — Meunier Carlin & Curfman LLC

(57) **CLAIM**

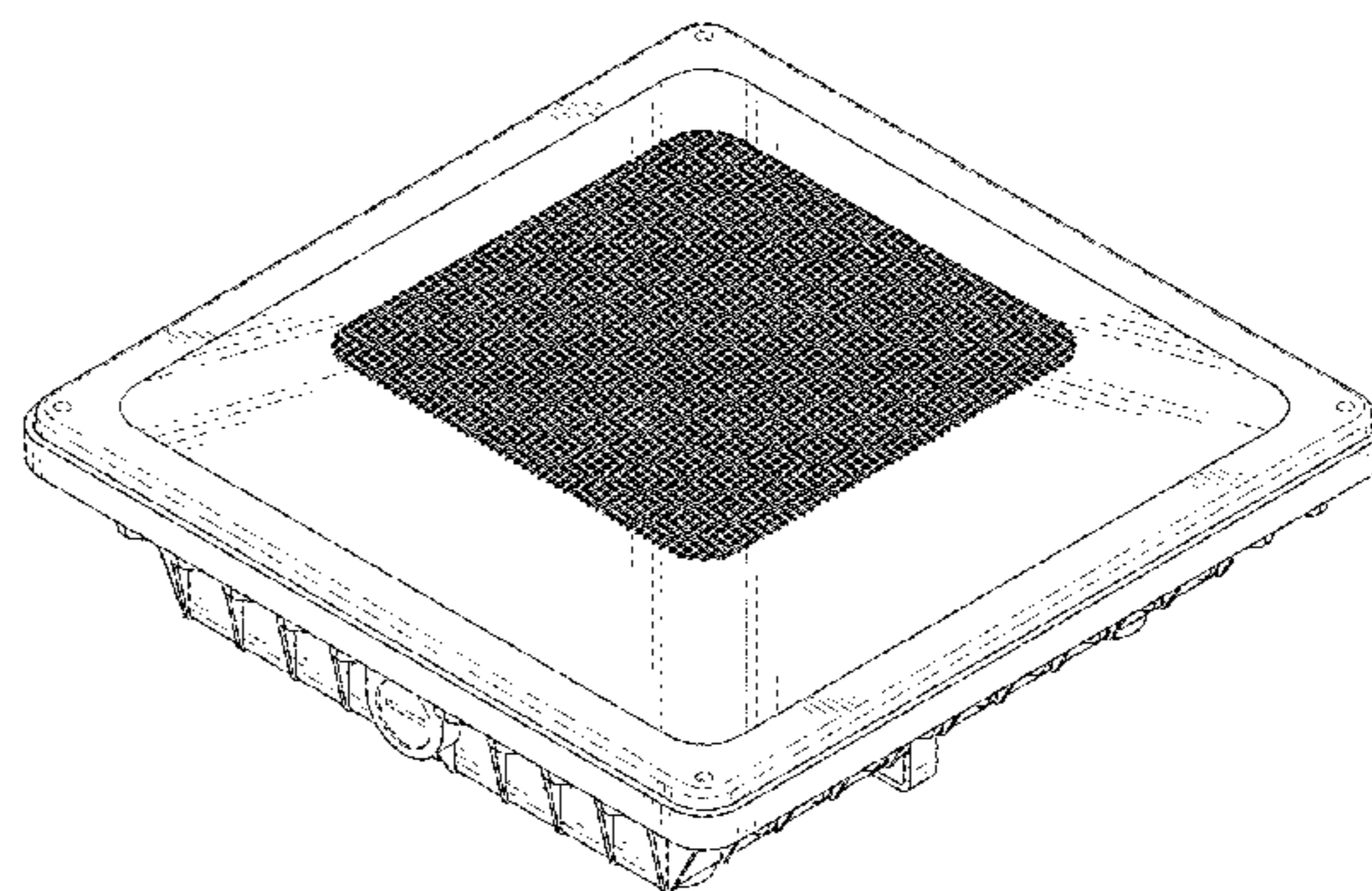
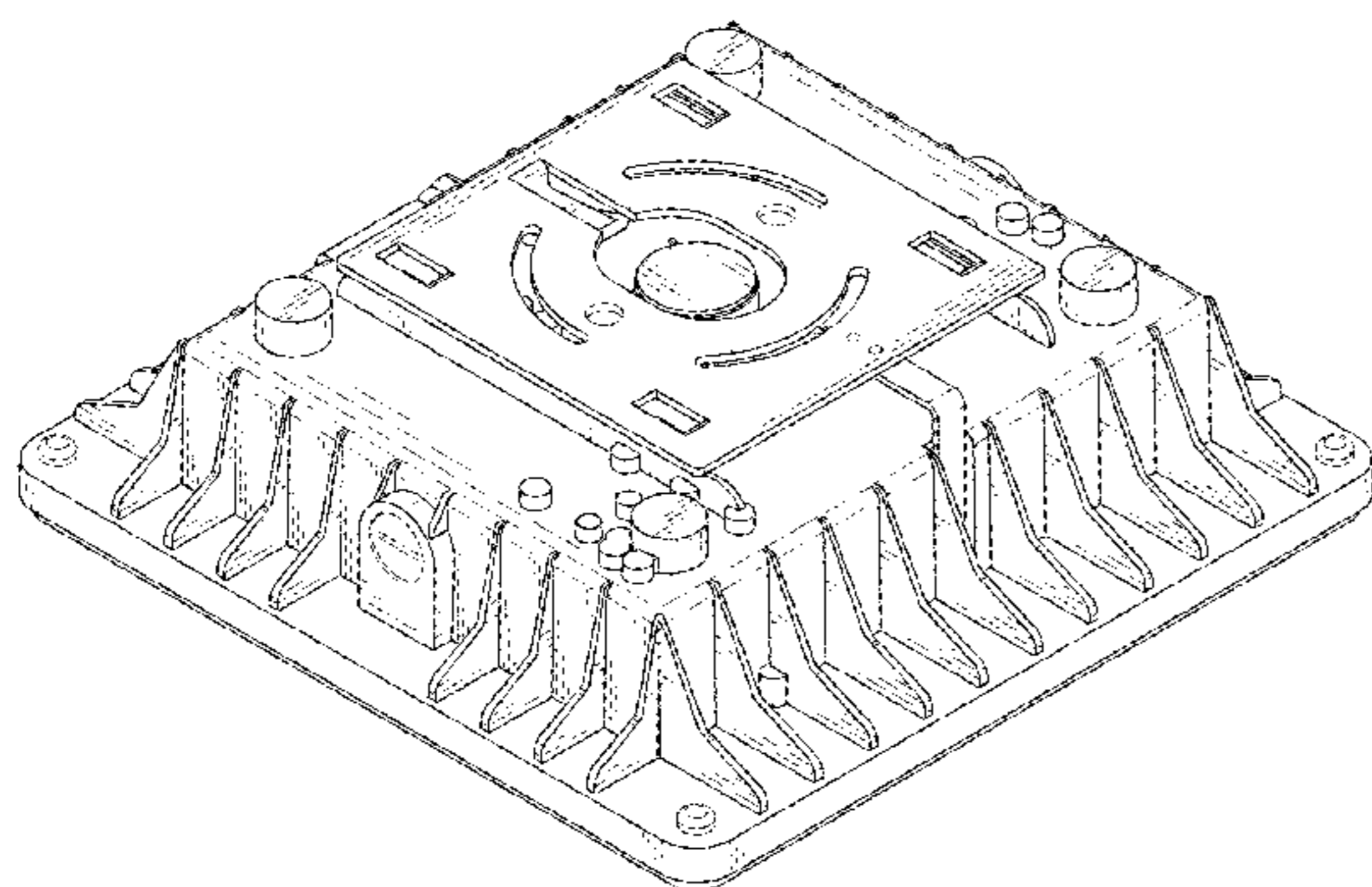
The ornamental design for a canopy light, as shown and described.

DESCRIPTION

FIG. 1 is a perspective view of a canopy light, showing my new design;
FIG. 2 is another perspective view thereof;
FIG. 3 is a front elevational view thereof;
FIG. 4 is a rear elevational view thereof;
FIG. 5 is a left side elevational view thereof;
FIG. 6 is a right side elevational view thereof;
FIG. 7 is a top plan view thereof; and,
FIG. 8 is a bottom plan view thereof.

The broken lines in the figures are included for the purpose of illustrating portions of the canopy light which form no part of the claimed design.

1 Claim, 8 Drawing Sheets



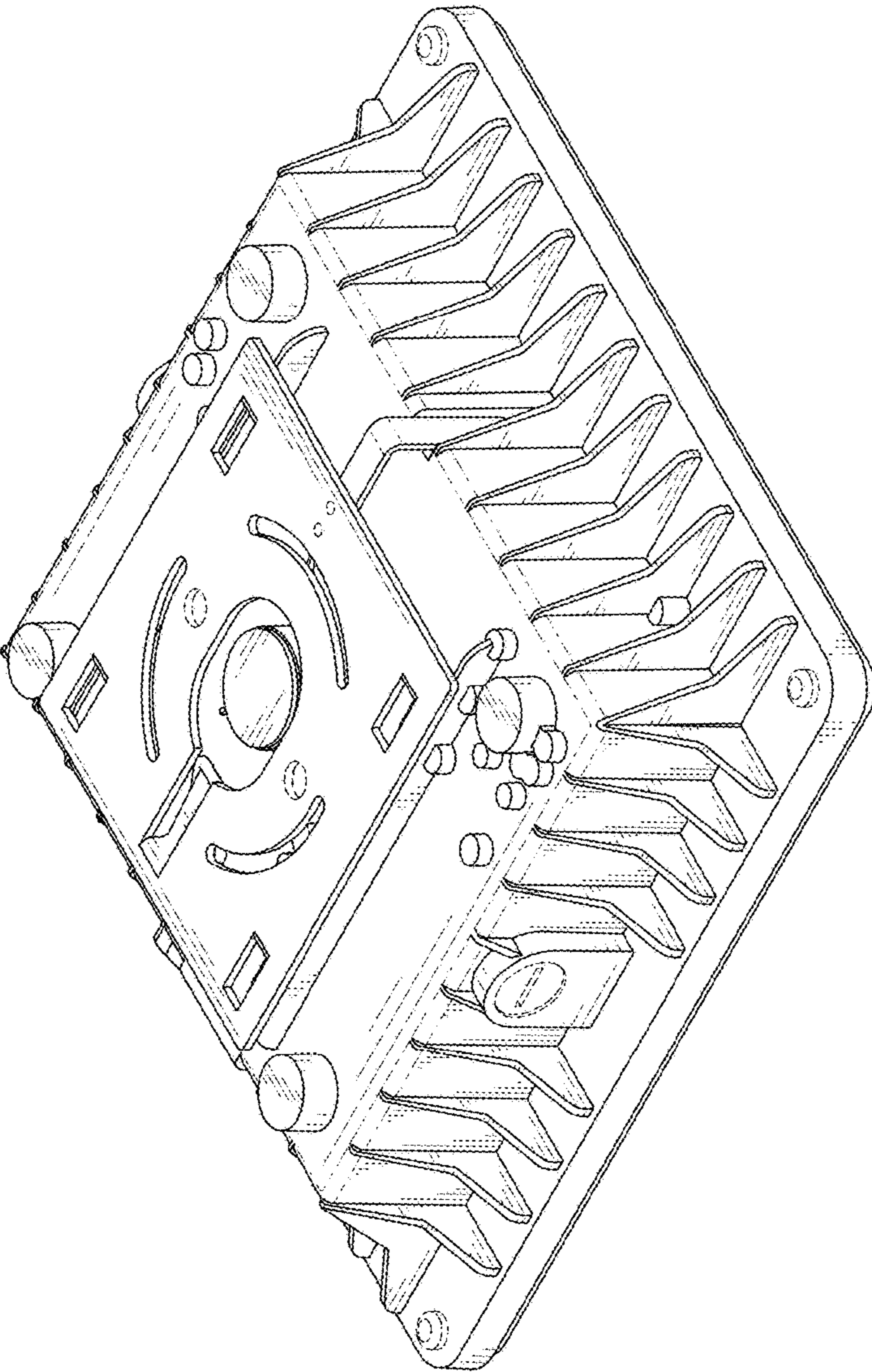


FIG. 1

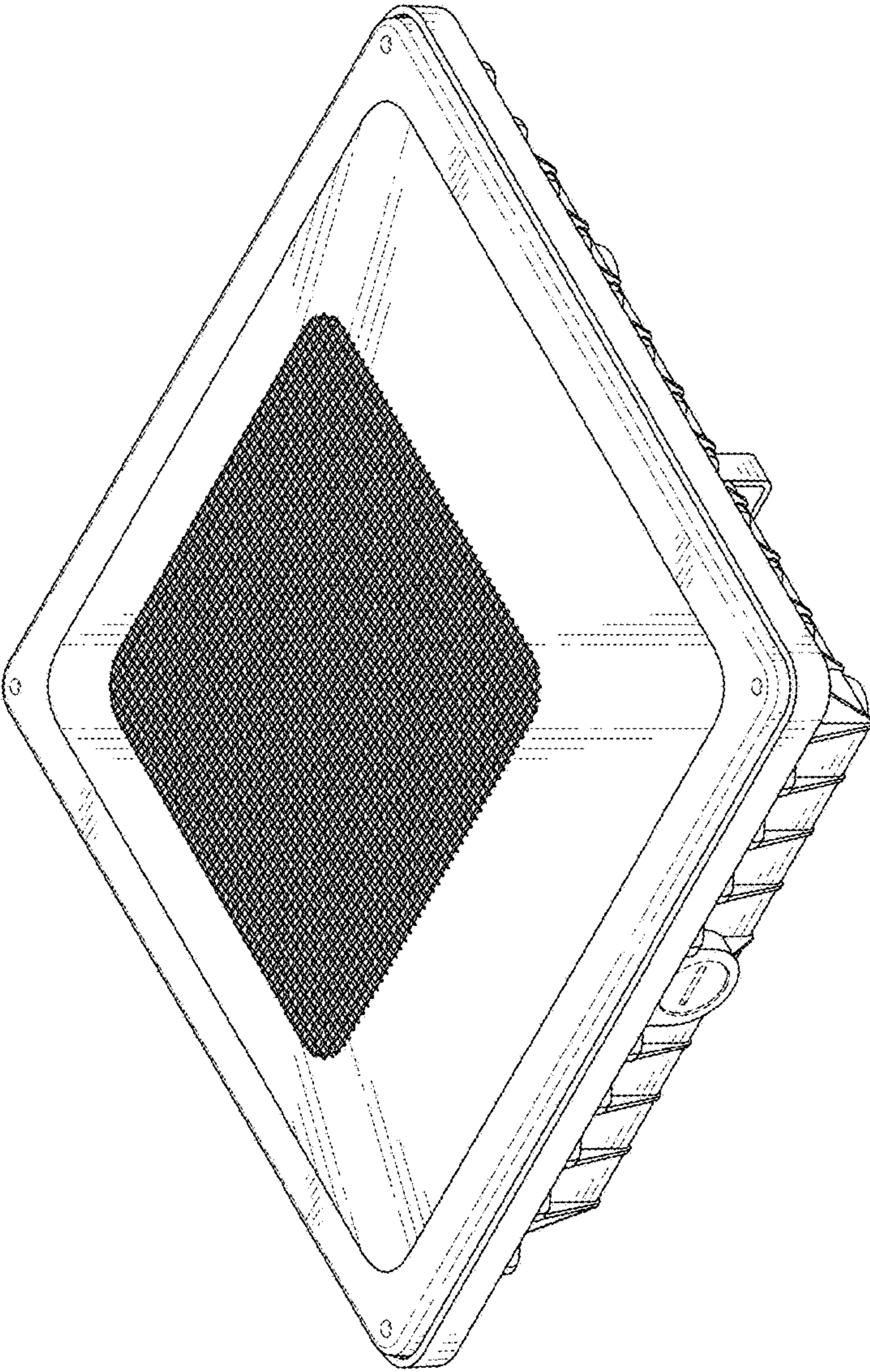


FIG. 2

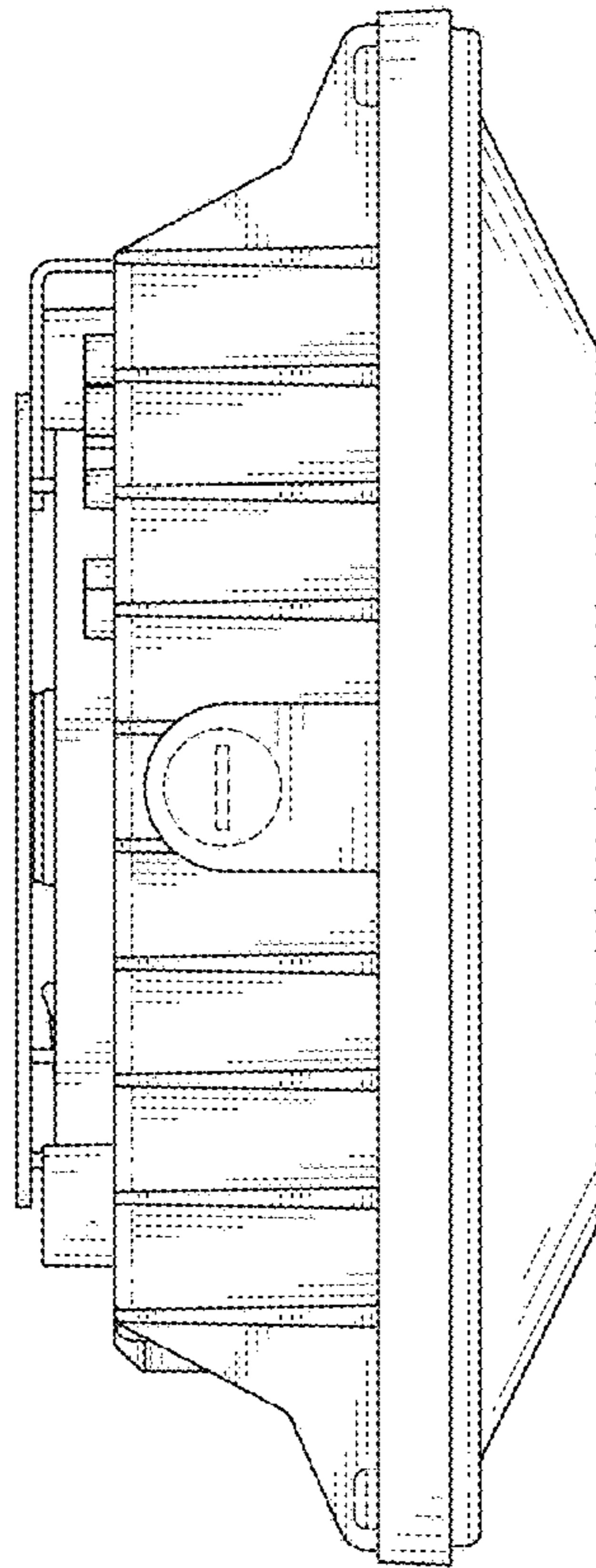


FIG. 3

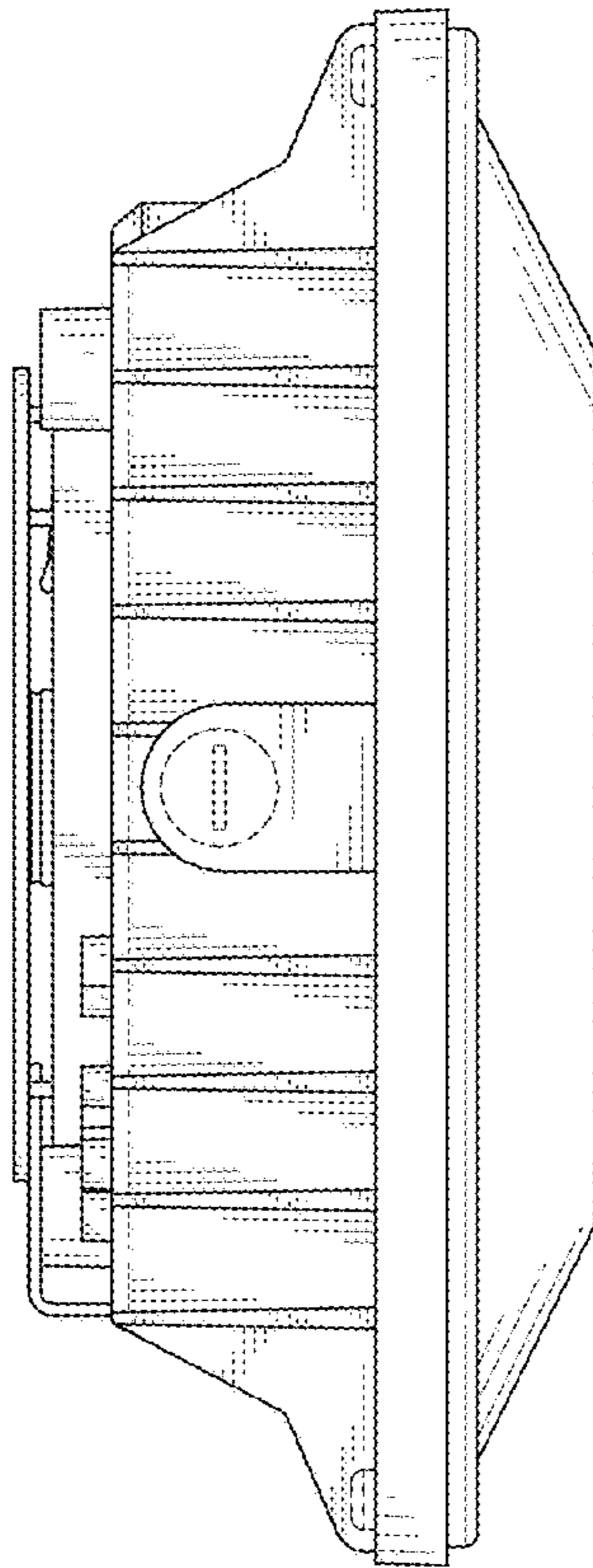


FIG. 4

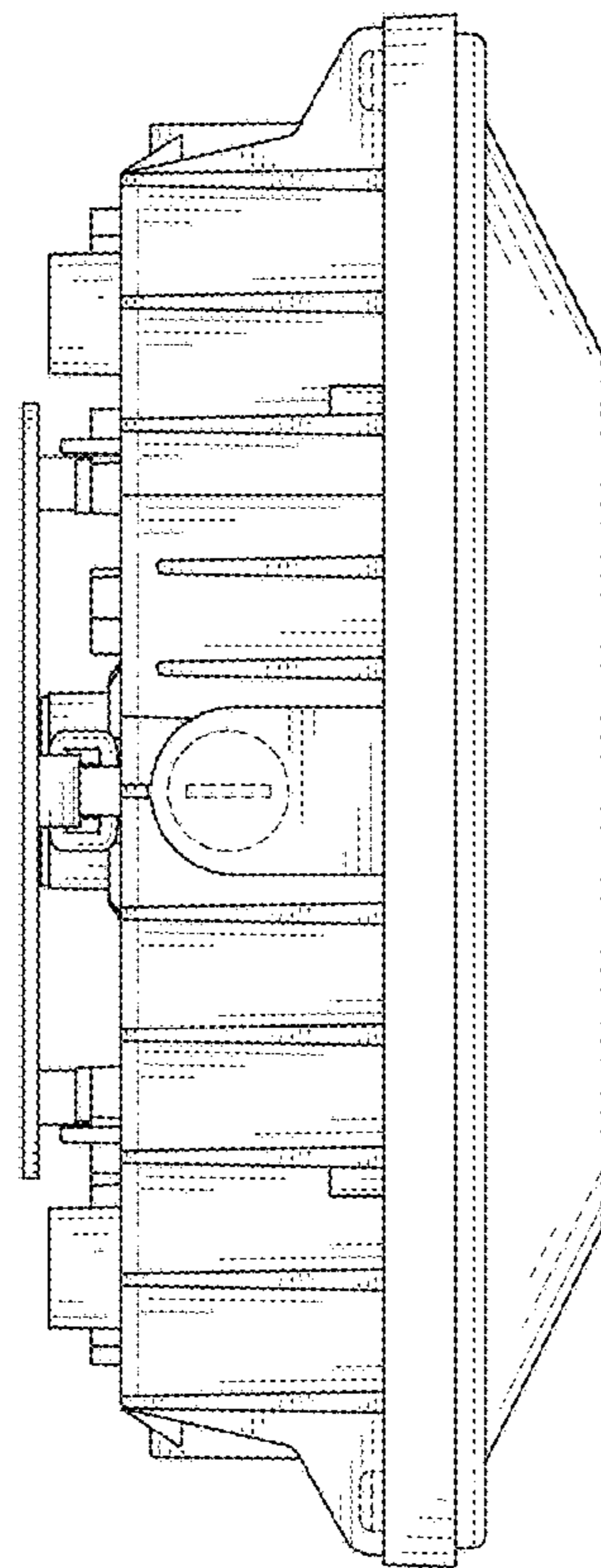


FIG. 5

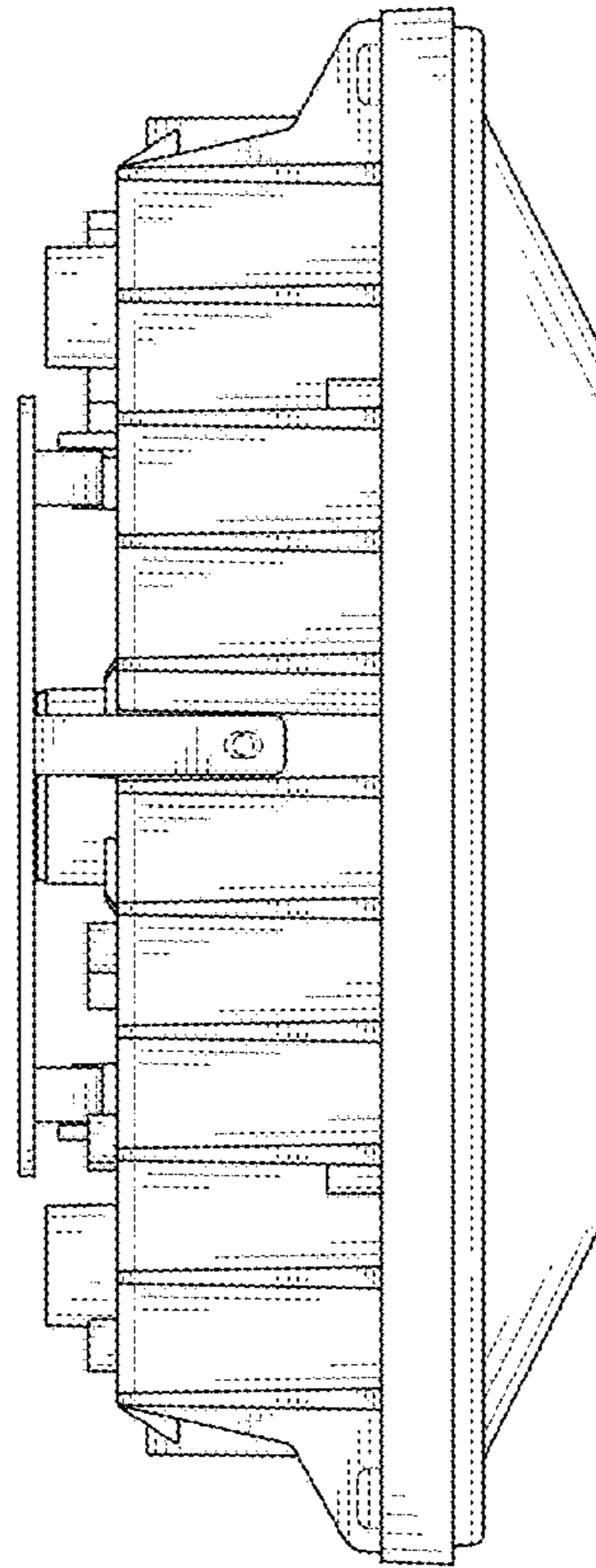


FIG. 6

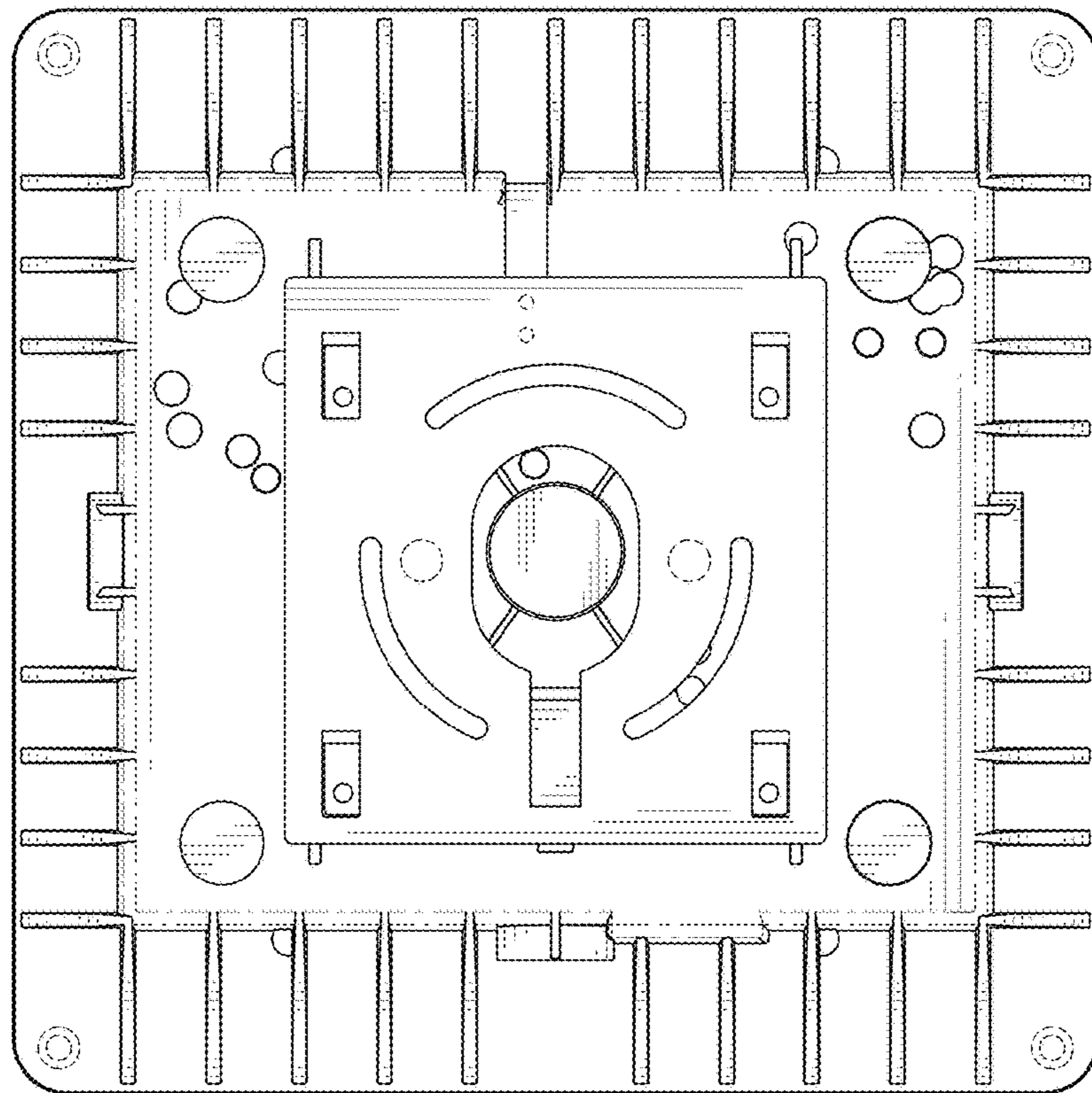


FIG. 7

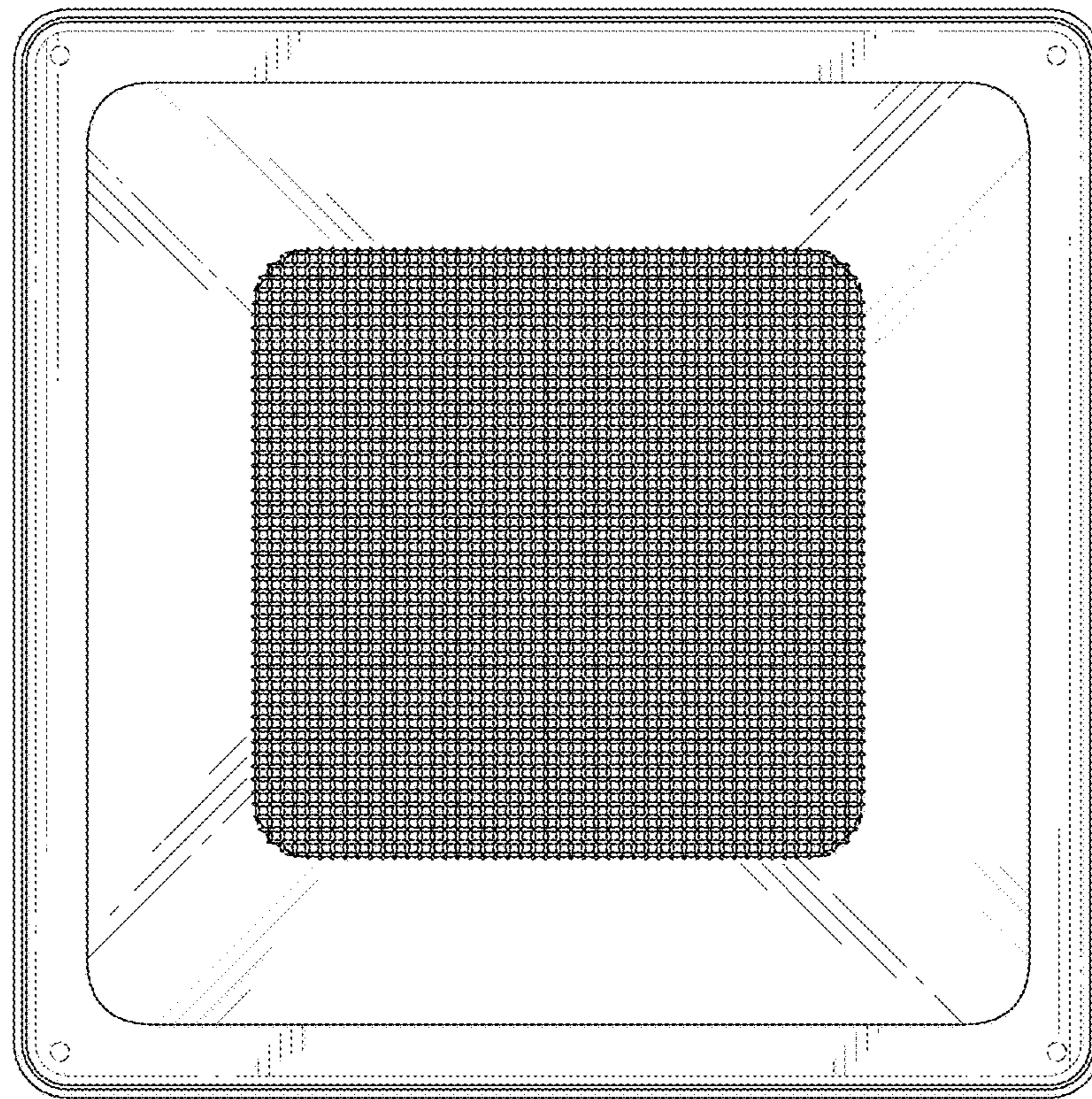


FIG. 8