



US00D854720S

(12) **United States Design Patent**
Deng

(10) **Patent No.:** **US D854,720 S**
(45) **Date of Patent:** **** Jul. 23, 2019**

(54) **EXPLOSION-PROOF LIGHT**

(71) Applicant: **DONGGUAN PAN AMERICAN ELECTRONICS CO., LTD,**
DongGuan, GuangDong (CN)

(72) Inventor: **Jinsheng Deng,** DongGuan (CN)

(73) Assignee: **DONGGUAN PAN AMERICAN ELECTRONICS CO., LTD,**
DongGuan (CN)

(**) Term: **15 Years**

(21) Appl. No.: **29/638,382**

(22) Filed: **Feb. 27, 2018**

(30) **Foreign Application Priority Data**

Aug. 28, 2017 (CN) 2017 3 0400671

(51) **LOC (11) Cl.** **26-05**

(52) **U.S. Cl.**
USPC **D26/63**

(58) **Field of Classification Search**
USPC D26/24, 60–66, 72, 76–78, 80, 81, 83,
D26/85–87, 92, 102, 113, 138, 142
CPC F21L 4/00; F21S 2/00; F21S 2/04; F21S
10/00; F21V 1/00; F21V 3/02; F21V
5/04; F21V 15/01; F21V 19/00; F21V
21/00; F21V 21/06; F21V 14/02; F21V
21/03; F21Y 2103/002; F21Y 2101/02
See application file for complete search history.

(56) **References Cited**

U.S. PATENT DOCUMENTS

D591,883 S * 5/2009 Gill D26/63
D645,594 S * 9/2011 Grawe D26/63
D650,505 S * 12/2011 Oka D26/63
D689,234 S * 9/2013 Zhang D26/72

D712,581 S * 9/2014 Scarlata D26/65
D713,983 S * 9/2014 Yang D26/63
8,911,116 B2 * 12/2014 Blincoe F21V 7/00
362/294

(Continued)

OTHER PUBLICATIONS

Illuxor Explosion Proof LED Light, dated Oct. 17, 2016, [online],
[site visited Feb. 25, 2019]. Available from Internet, <URL: http://illuxor.com/products_show-id=320&classid=7&nclassid=0&xclassid=0.asp.html> (Year: 2016).*

(Continued)

Primary Examiner — Angela J Lee

Assistant Examiner — Shawn T Gingrich

(74) *Attorney, Agent, or Firm* — Ladas & Parry LLP

(57) **CLAIM**

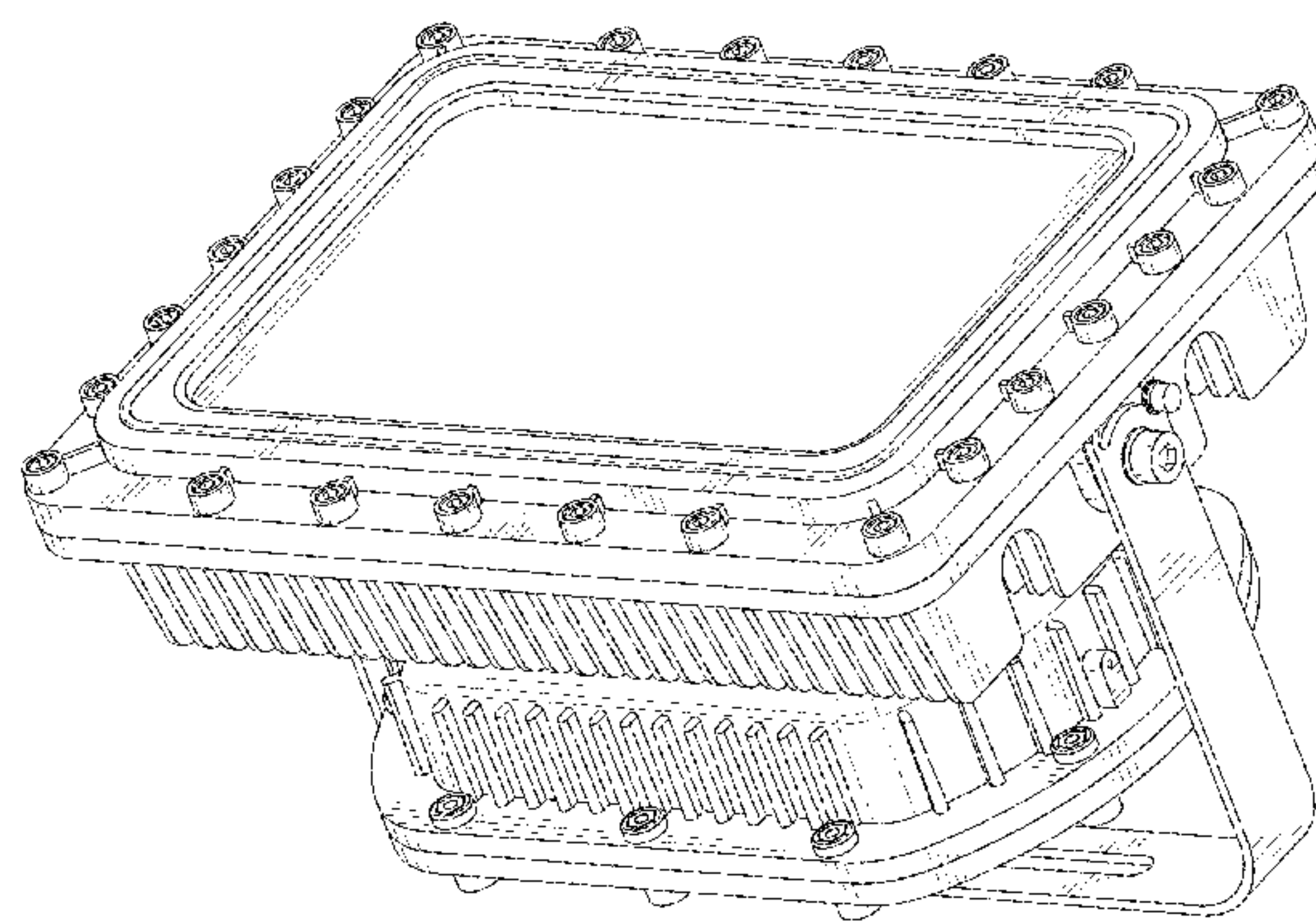
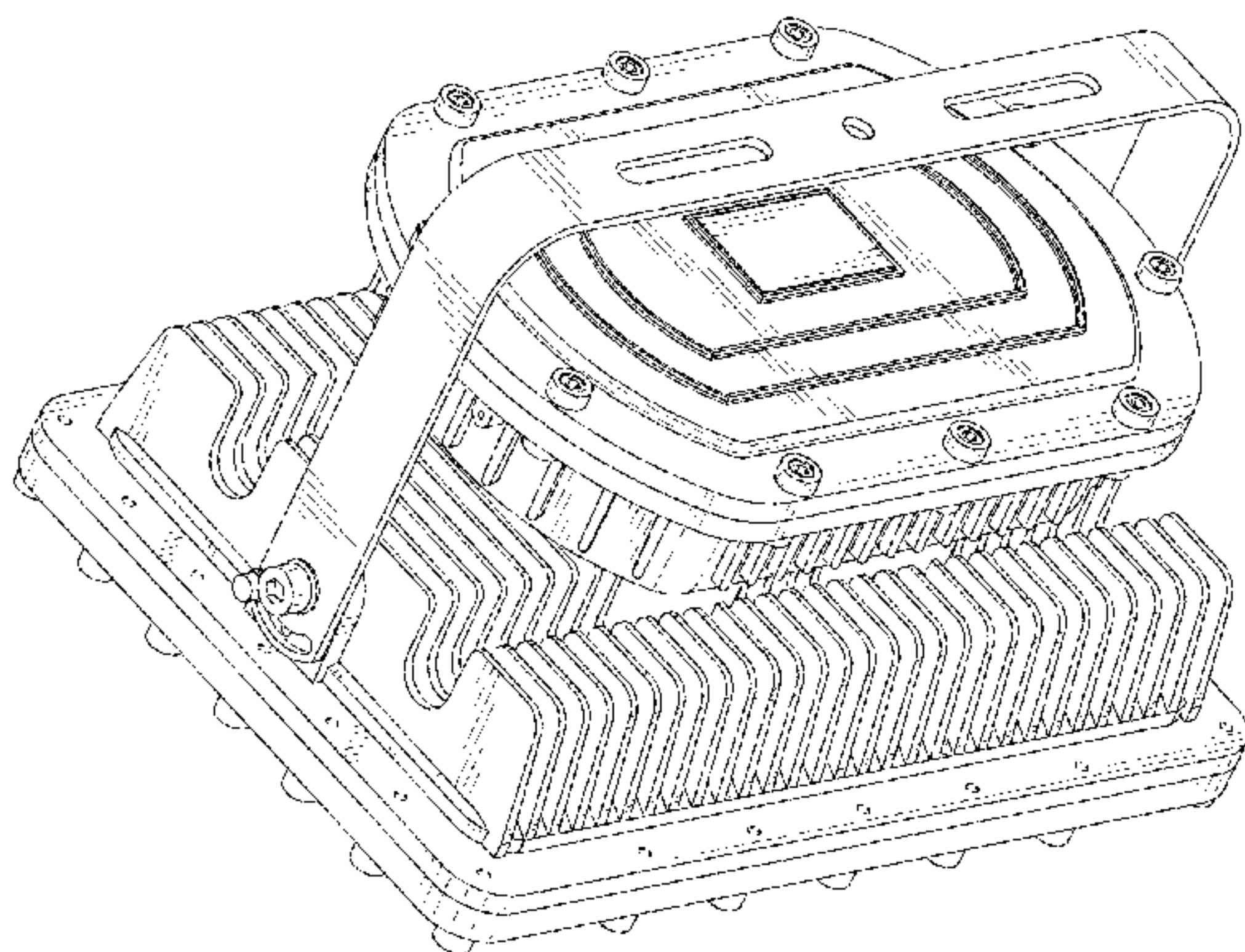
The ornamental design for an explosion-proof light, as shown and described.

DESCRIPTION

FIG. 1 is a front, top left perspective view of an explosion-proof light showing my new design;
FIG. 2 is rear, bottom right perspective view thereof;
FIG. 3 is a front elevational view thereof;
FIG. 4 is a rear elevational view thereof;
FIG. 5 is a left side elevational view thereof;
FIG. 6 is a right side elevational view thereof;
FIG. 7 is a top plan view thereof;
FIG. 8 is a bottom plan view thereof;
FIG. 9 is a front elevational view of the explosion-proof light in a mounted position; and,
FIG. 10 is a side view of the explosion-proof light in another mounted position.

The broken lines in FIGS. 1-8 are included for the purpose of illustrating portions of the article which form no part of the claimed design. The broken lines in FIGS. 9 and 10 depict environmental structure and form no part of the claimed design.

1 Claim, 10 Drawing Sheets



(56)

References Cited

U.S. PATENT DOCUMENTS

D776,320 S * 1/2017 Bobel D26/63
D797,338 S * 9/2017 Wang D26/63
D799,094 S * 10/2017 Li D26/63
D799,729 S * 10/2017 Zhong D26/63
D803,448 S * 11/2017 Dupras D26/63
10,012,375 B1 * 7/2018 Salessi F21V 29/503
2013/0027917 A1 * 1/2013 Luo F21V 25/12
362/157
2015/0198298 A1 * 7/2015 Scarlata F21S 9/00
362/184
2015/0198310 A1 * 7/2015 Scarlata F21V 29/507
362/249.01
2017/0370537 A1 * 12/2017 Wu F21S 4/28
2019/0056076 A1 * 2/2019 Thomas F21V 23/023

OTHER PUBLICATIONS

200W Explosion Proof Light, dated Aug. 8, 2016, [online], [site visited Feb. 25, 2019]. Available from Internet, <URL: https://d114hh0cykhyb0.cloudfront.net/pdfs/EPL-NW200_series.pdf> (Year: 2016).*

Defender Explosion Proof Light, dated Dec. 17, 2016, [online], [site visited Feb. 25, 2019]. Available from Internet, <URL: <http://ledinaction.com/brand-new-explosion-proof-light-2/fel-c-njz-ul-led-explosion-proof-light-2/>> (Year: 2016).*

* cited by examiner

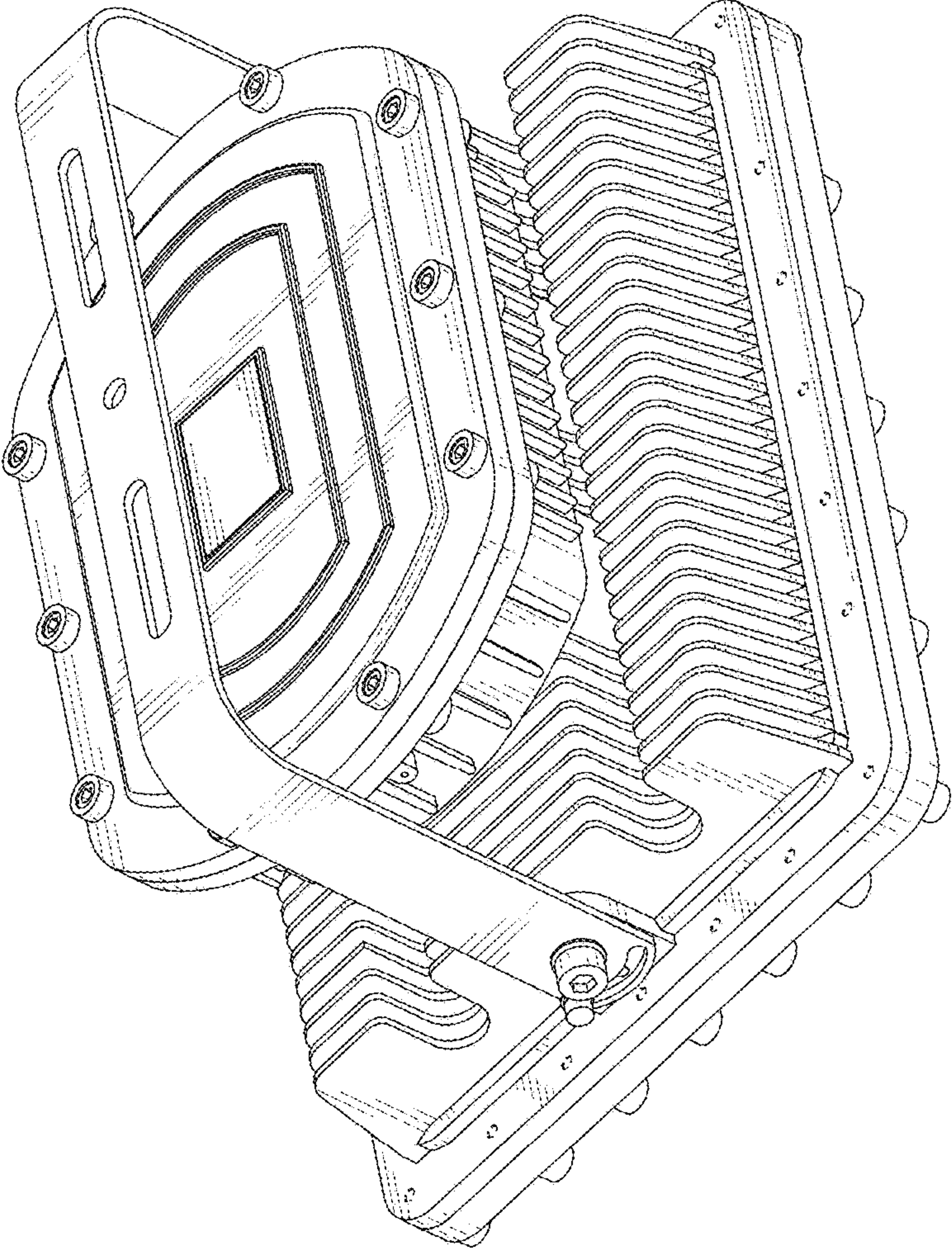


FIG. 1

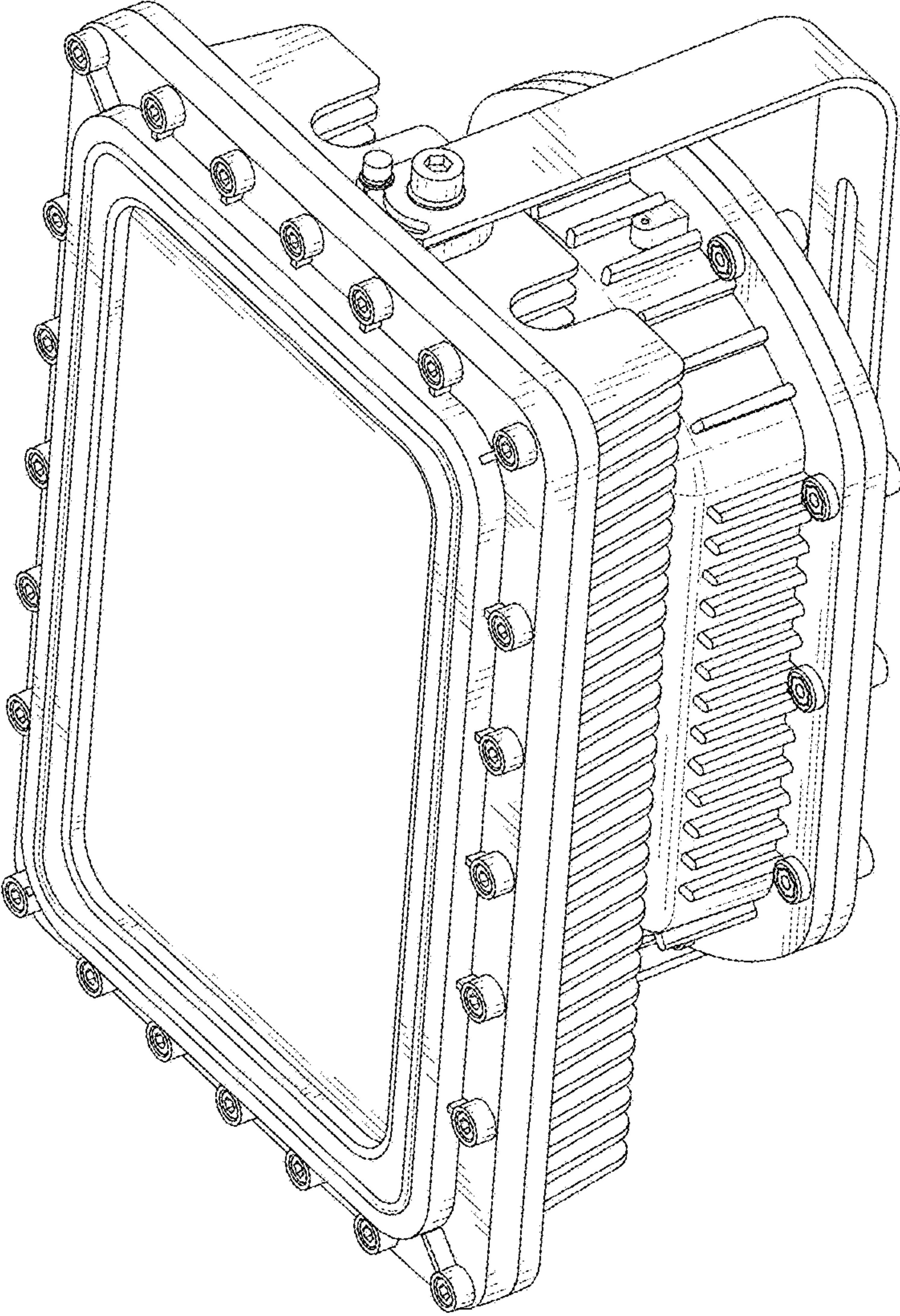


FIG. 2

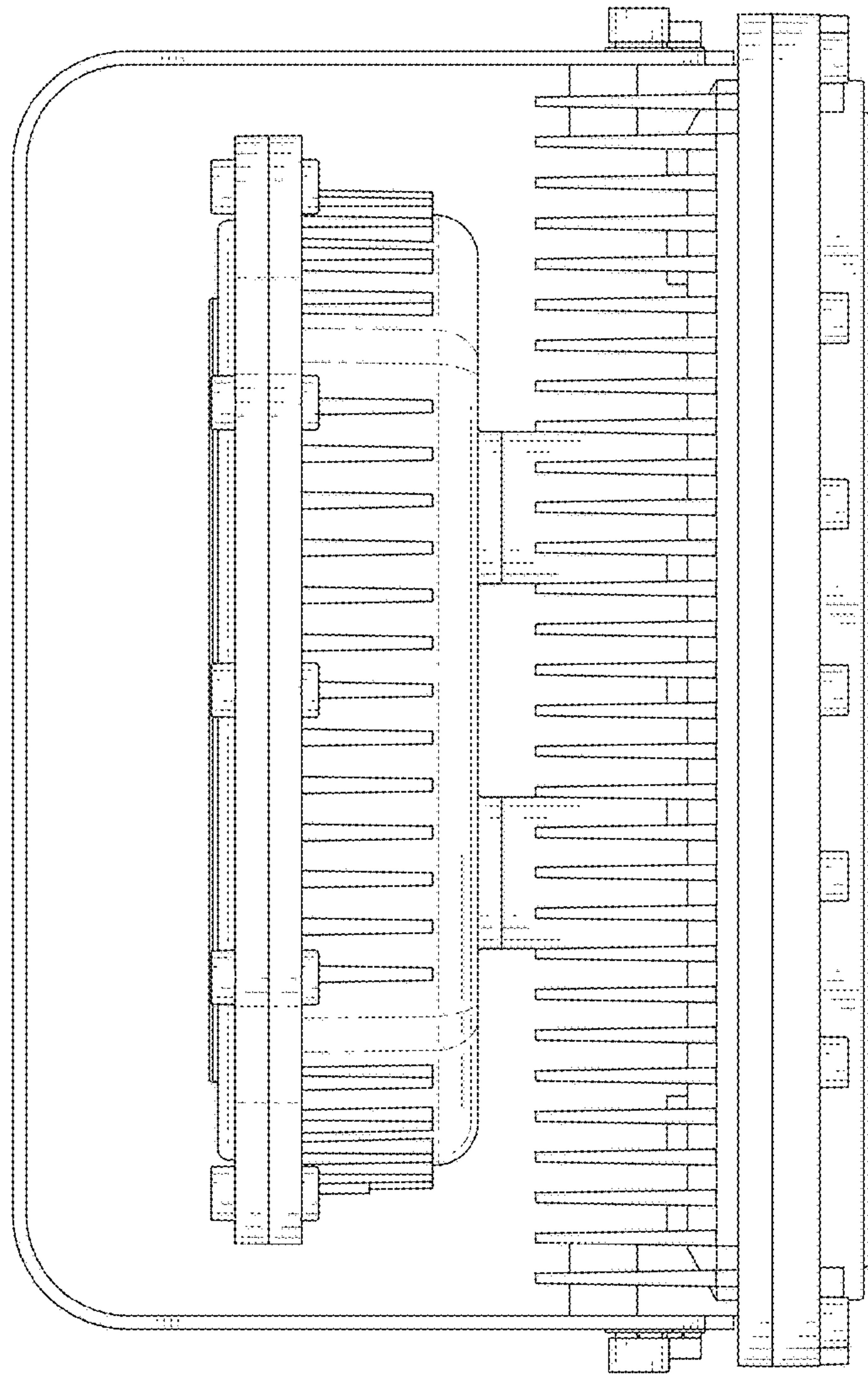


FIG. 3

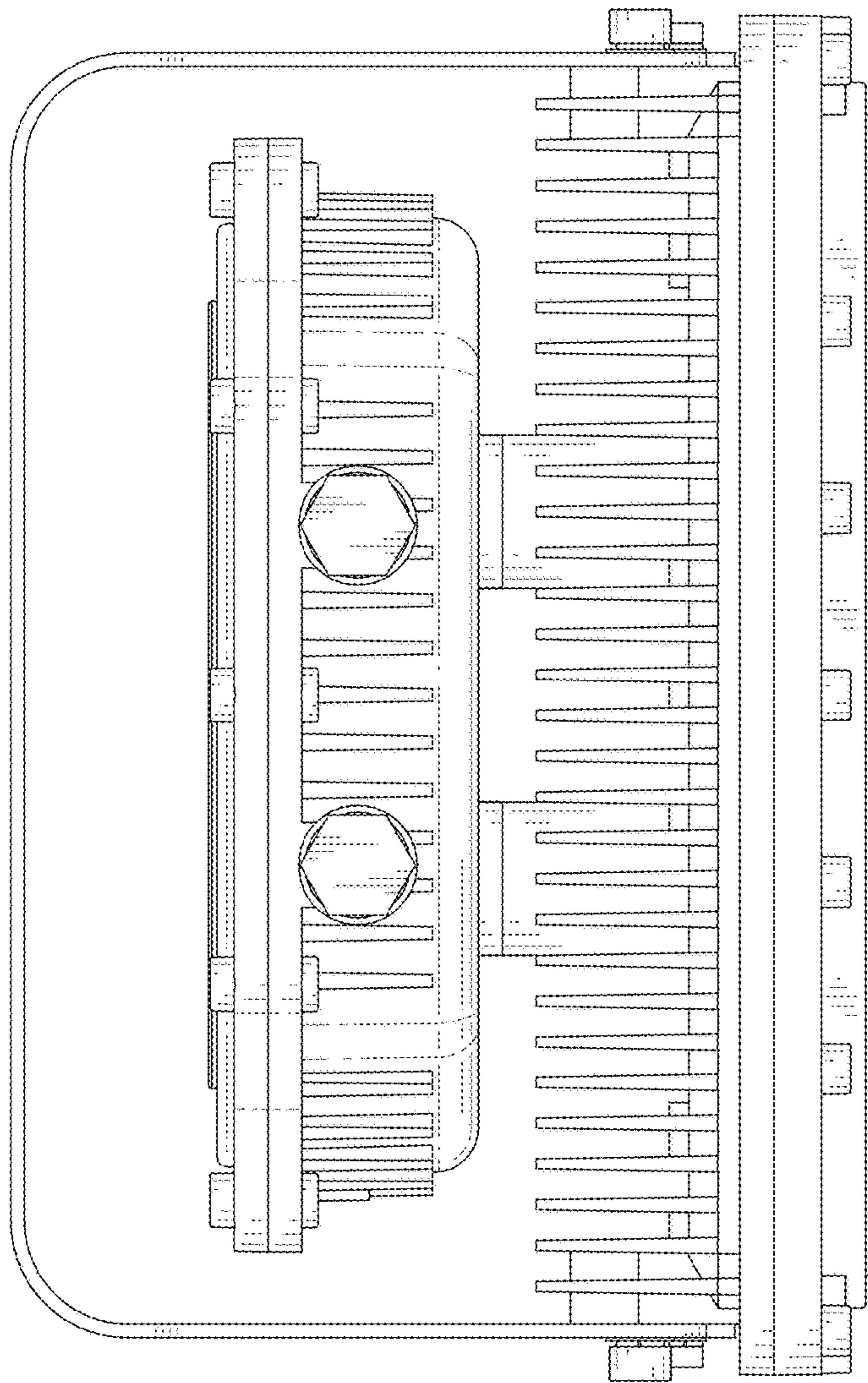


FIG. 4

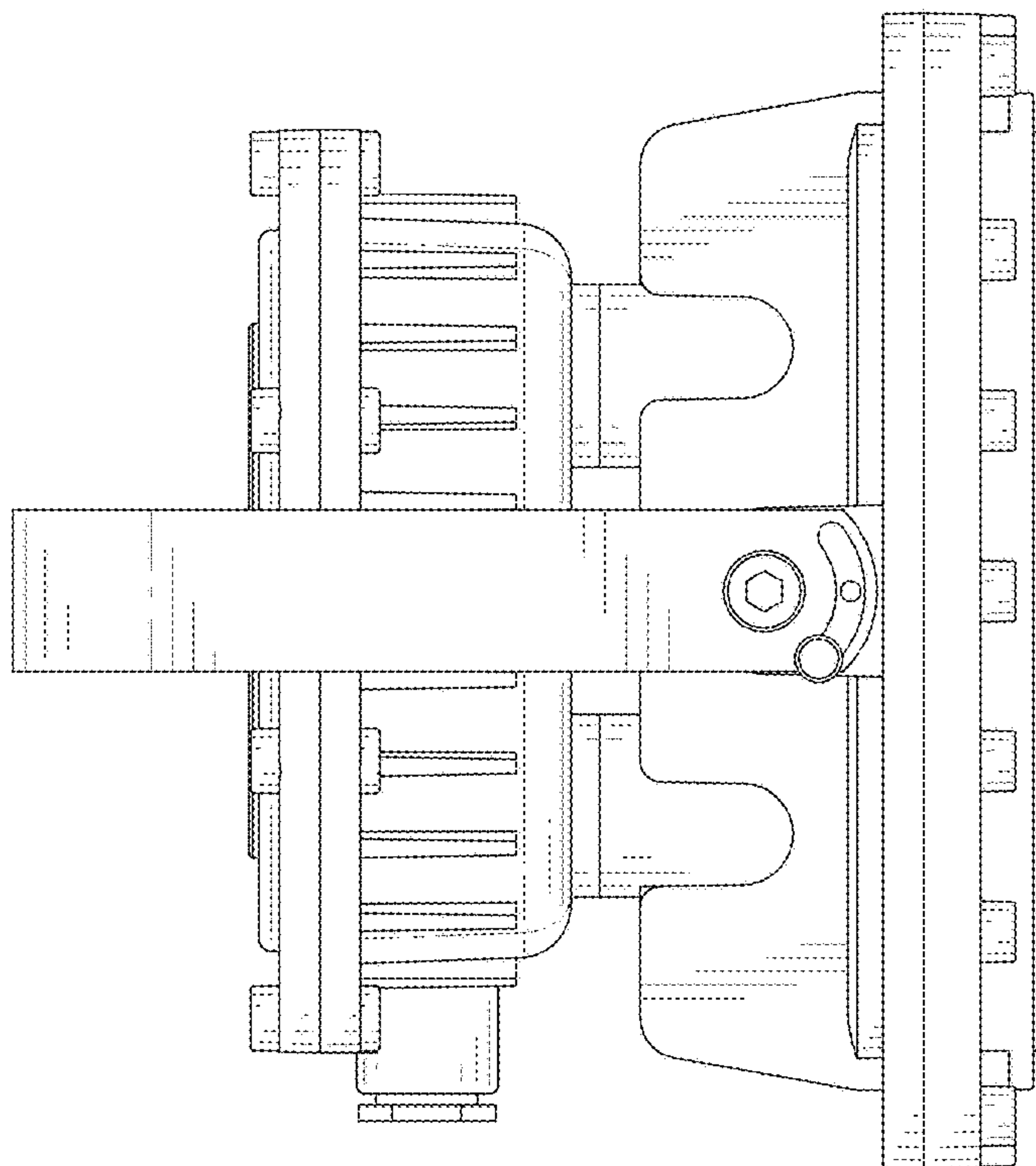


FIG. 5

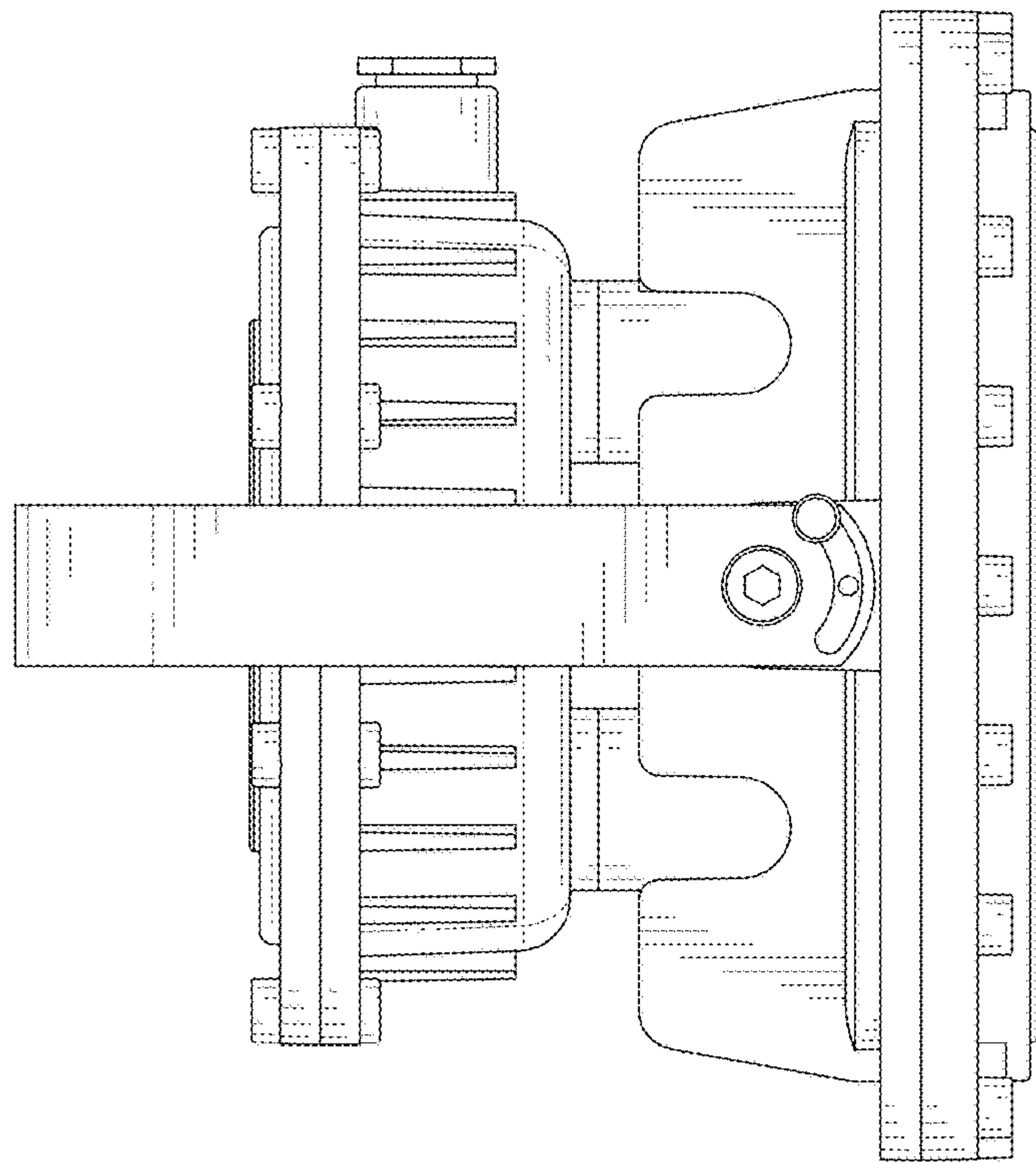


FIG. 6

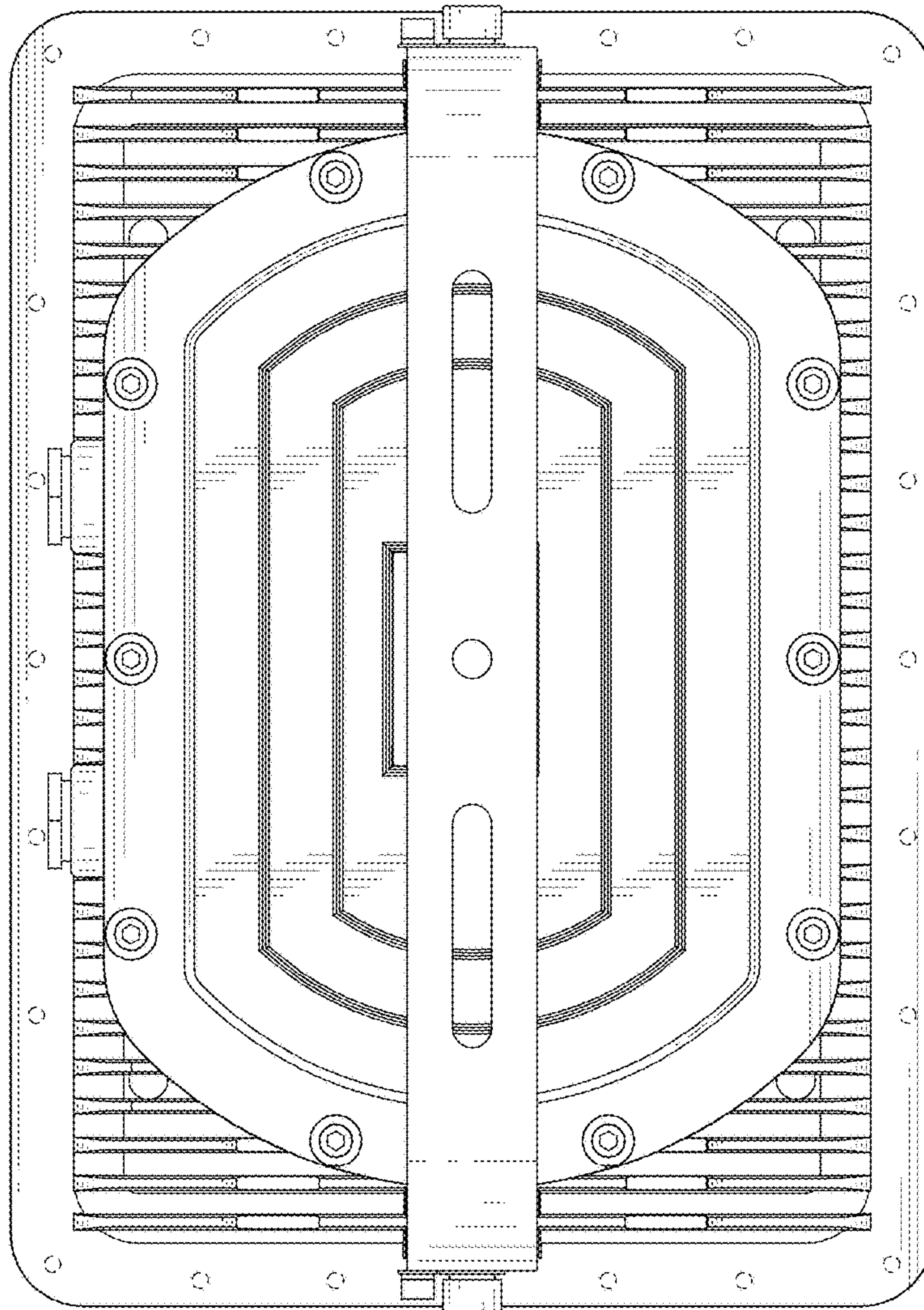


FIG. 7

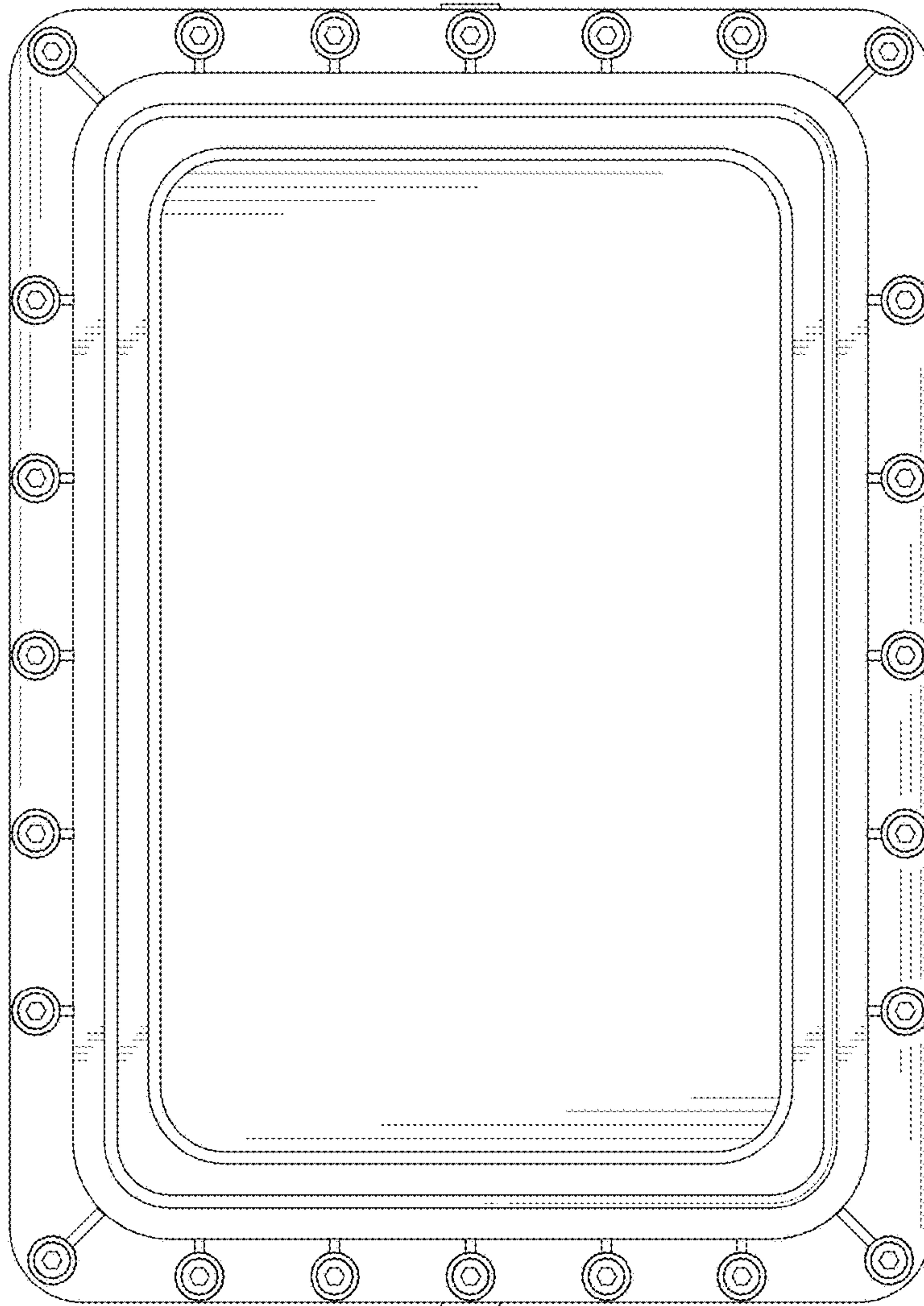


FIG. 8

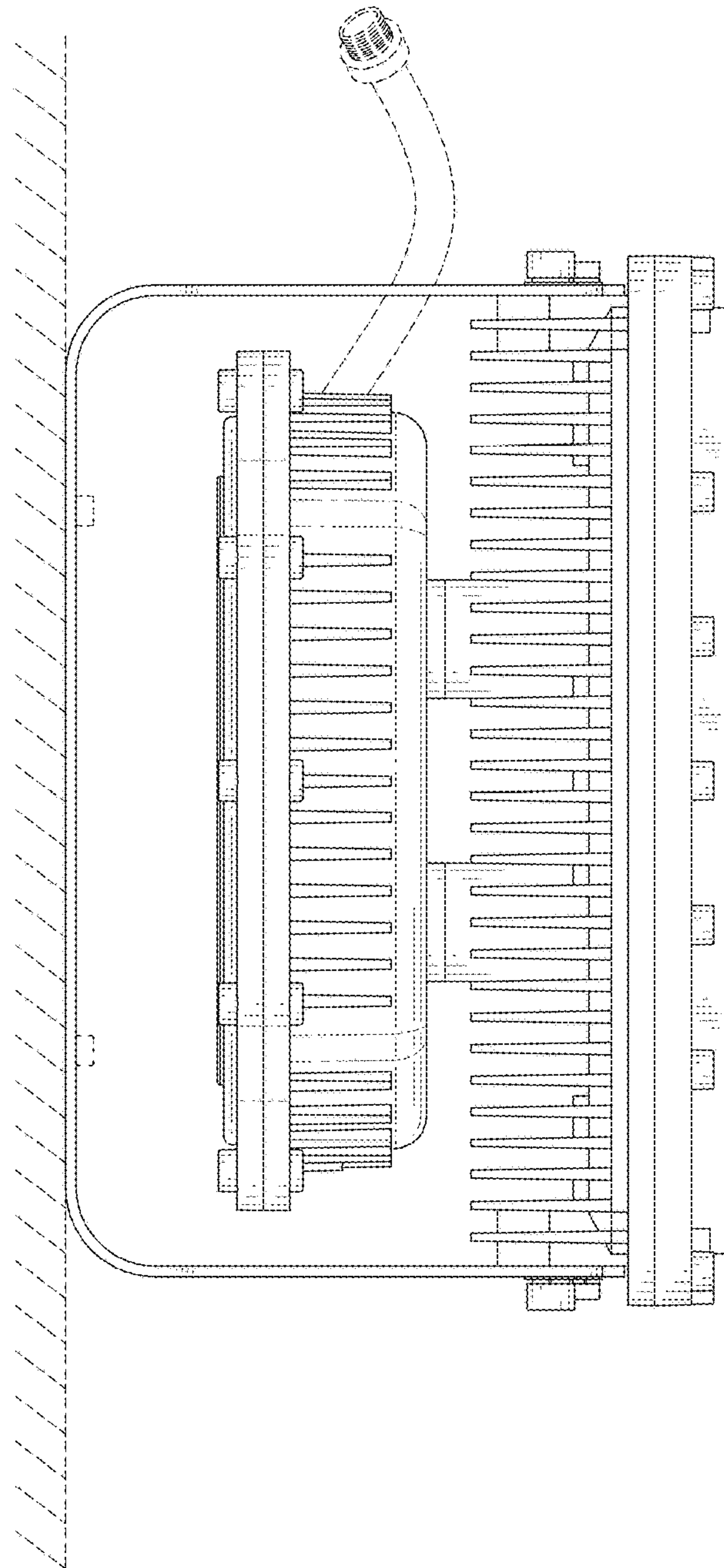


FIG. 9

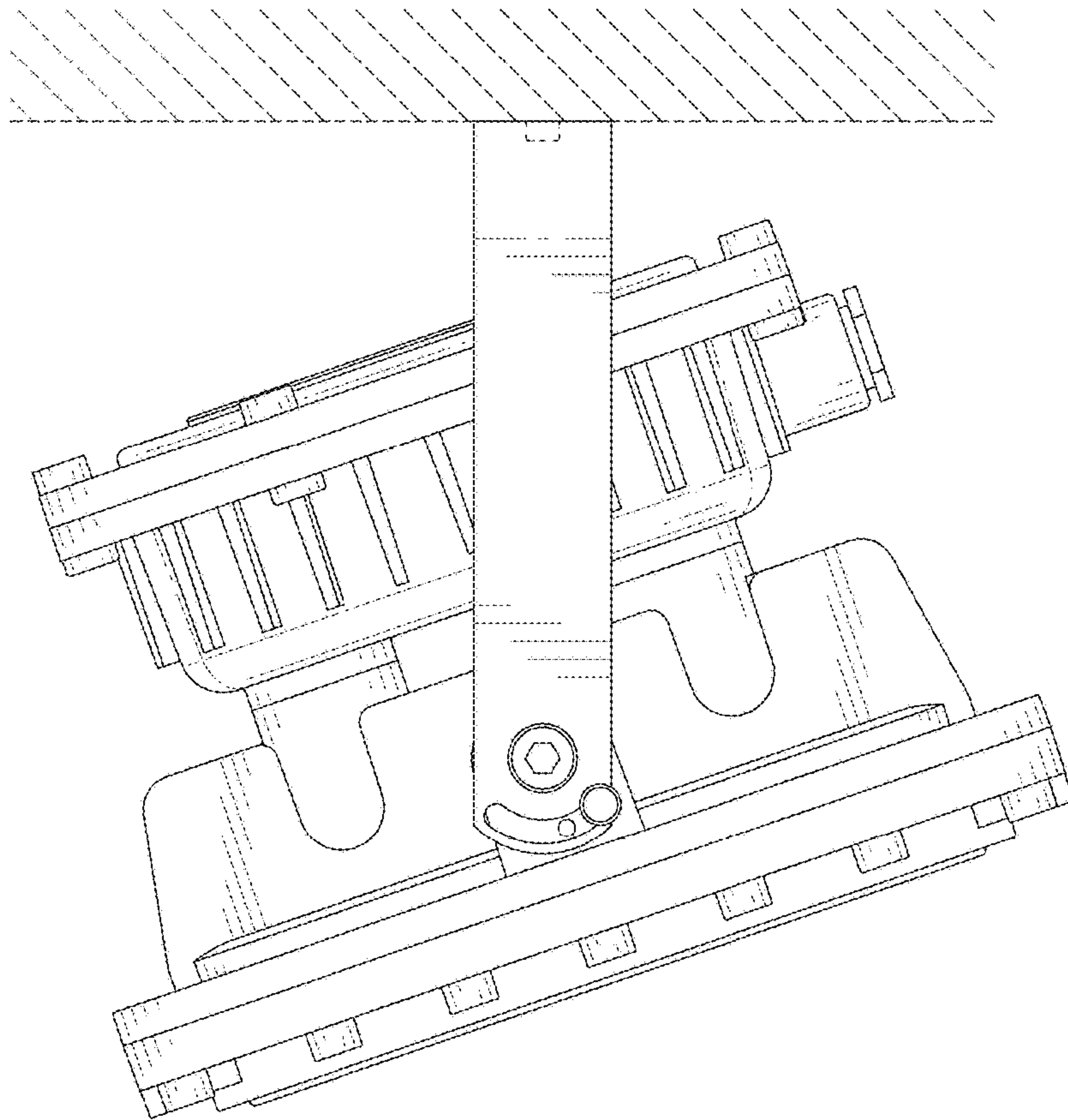


FIG. 10