



US00D854719S

(12) **United States Design Patent** (10) **Patent No.:** **US D854,719 S**  
**Zou et al.** (45) **Date of Patent:** **\*\* Jul. 23, 2019**

(54) **SPOTLIGHT**

(71) Applicant: **Green Inova Lighting Technology (Shenzhen) Limited**, Shenzhen (CN)  
 (72) Inventors: **Xiaofeng Zou**, Shenzhen (CN); **Rengui Zhou**, Shenzhen (CN); **Zhijin Lin**, Shenzhen (CN)  
 (73) Assignee: **GREEN INOVA LIGHTING TECHNOLOGY (SHENZHEN) LIMITED**, Shenzhen (CN)  
 (\*\*) Term: **15 Years**  
 (21) Appl. No.: **29/615,435**  
 (22) Filed: **Aug. 29, 2017**

(30) **Foreign Application Priority Data**

Jul. 21, 2017 (CN) ..... 2017 3 0325900

(51) **LOC (11) Cl.** ..... **26-03**

(52) **U.S. Cl.**  
USPC ..... **D26/63**

(58) **Field of Classification Search**  
 USPC ..... D26/1, 24, 61, 63, 65, 85, 92  
 CPC ..... F21V 21/14; F21V 15/01; F21V 14/02;  
 F21V 21/30; F21V 21/00; F21V 14/00;  
 F21S 8/00; F21S 8/003; F21S 8/043;  
 F21Y 2105/001

See application file for complete search history.

(56) **References Cited**

U.S. PATENT DOCUMENTS

D417,519 S	*	12/1999	Cutler	.....	D26/63
D667,981 S	*	9/2012	Connolly	.....	D26/63
D723,726 S	*	3/2015	Reed	.....	D26/63
D735,923 S	*	8/2015	Helms	.....	D26/63
D745,202 S	*	12/2015	Guercio	.....	D26/63
D773,709 S	*	12/2016	Yang	.....	D26/63
D818,171 S	*	5/2018	Brynjolfsson	.....	D26/63

\* cited by examiner

*Primary Examiner* — Brian N. Vinson

(74) *Attorney, Agent, or Firm* — Meunier Carlin & Curfman LLC

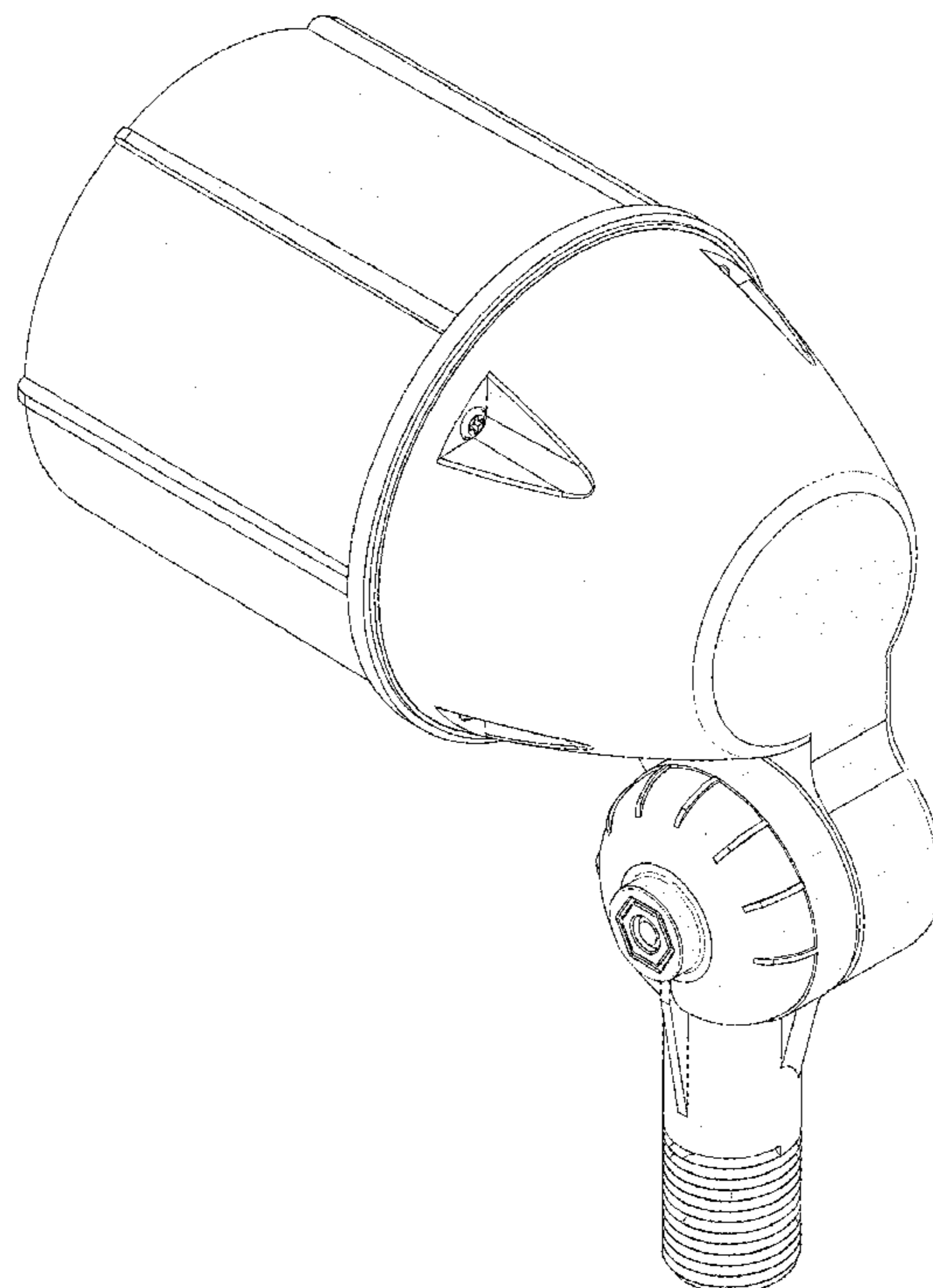
(57) **CLAIM**

The ornamental design for a spotlight, as shown.

**DESCRIPTION**

FIG. 1 is a perspective rear view of a spotlight in accordance with our design;  
 FIG. 2 is a left side elevation view thereof;  
 FIG. 3 is a right side elevation view thereof;  
 FIG. 4 is a front elevation view thereof;  
 FIG. 5 is a rear elevation view thereof;  
 FIG. 6 is a top plan view thereof; and,  
 FIG. 7 is a bottom plan view thereof.

**1 Claim, 7 Drawing Sheets**



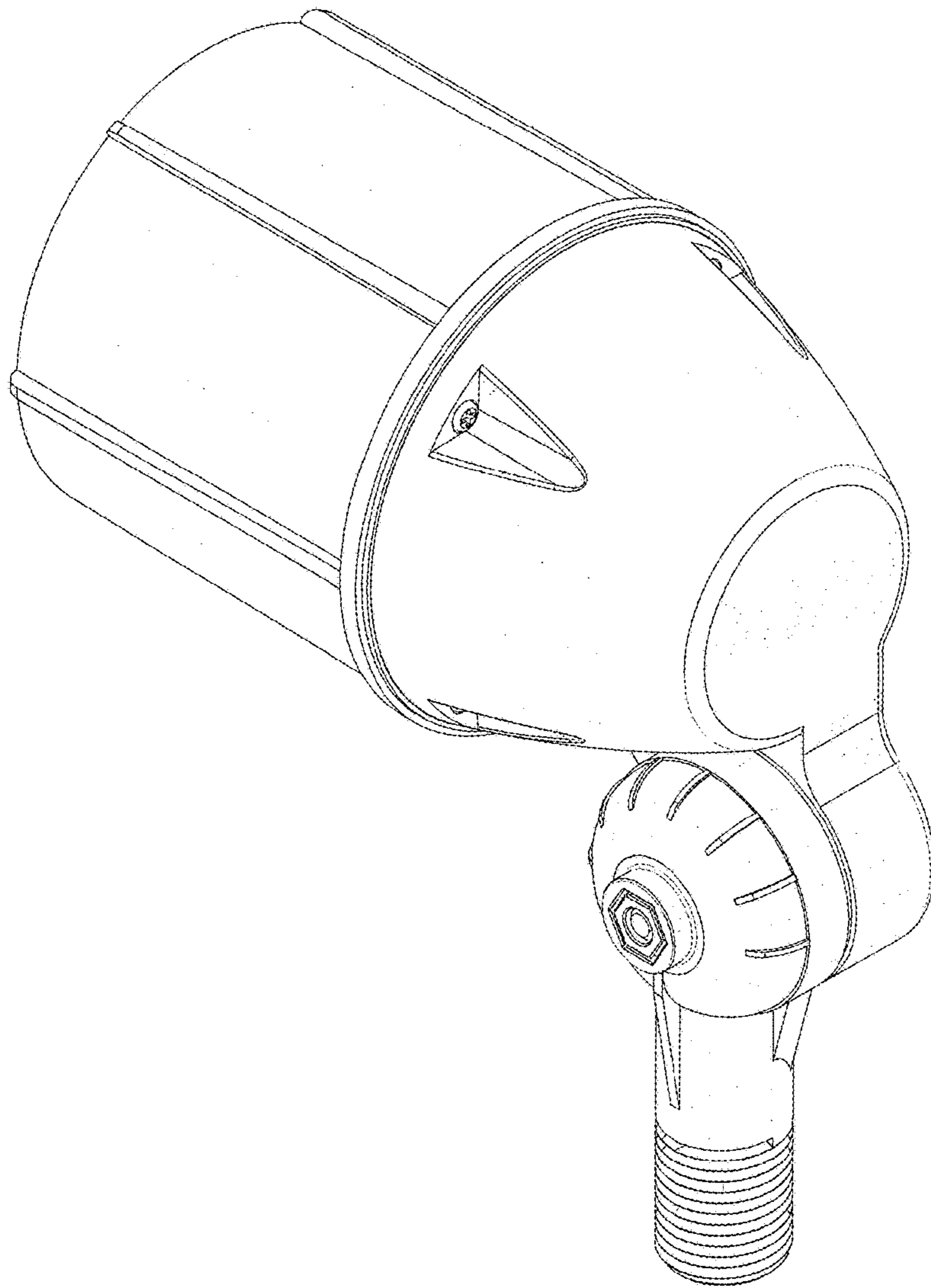


FIG.1

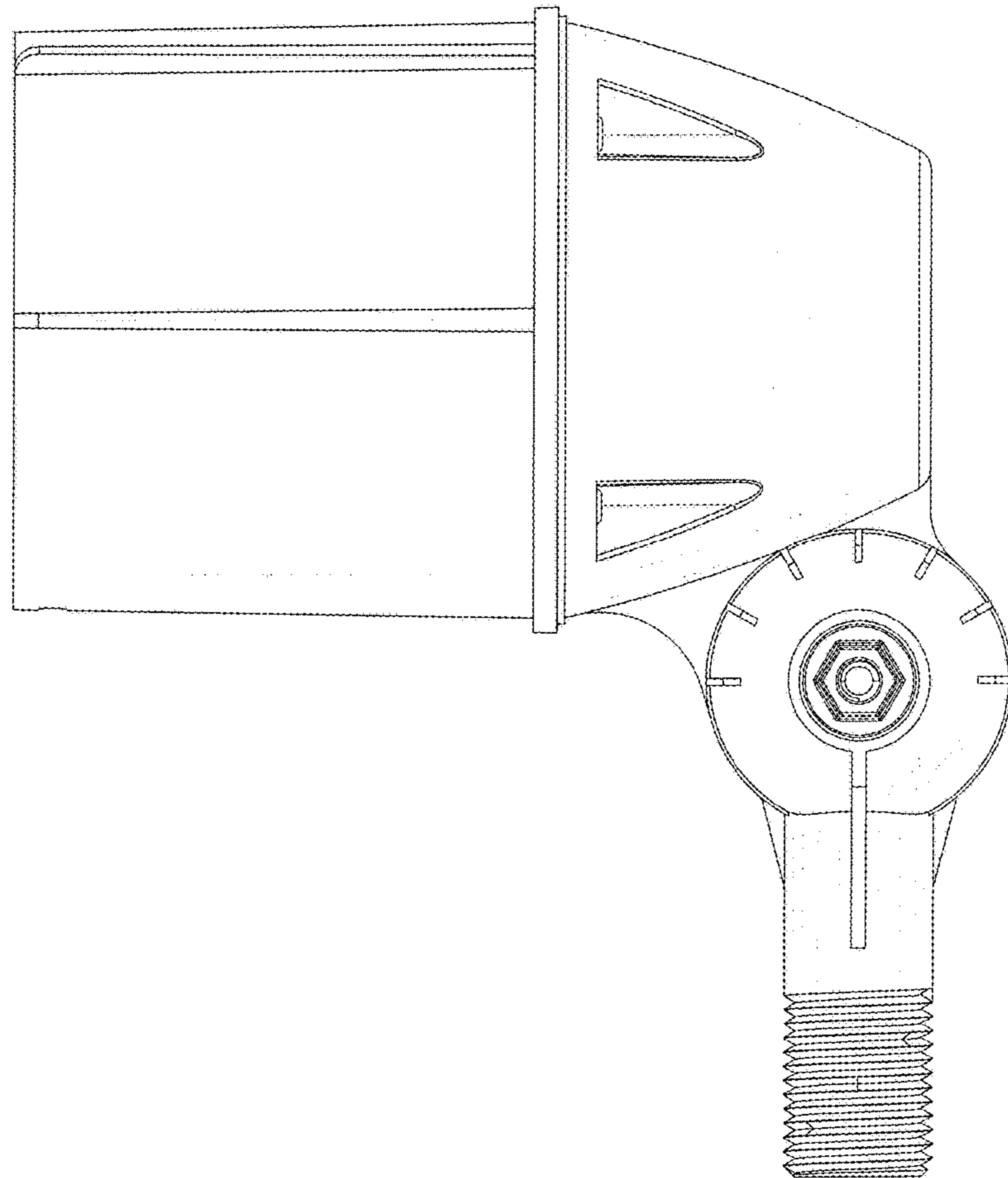


FIG.2

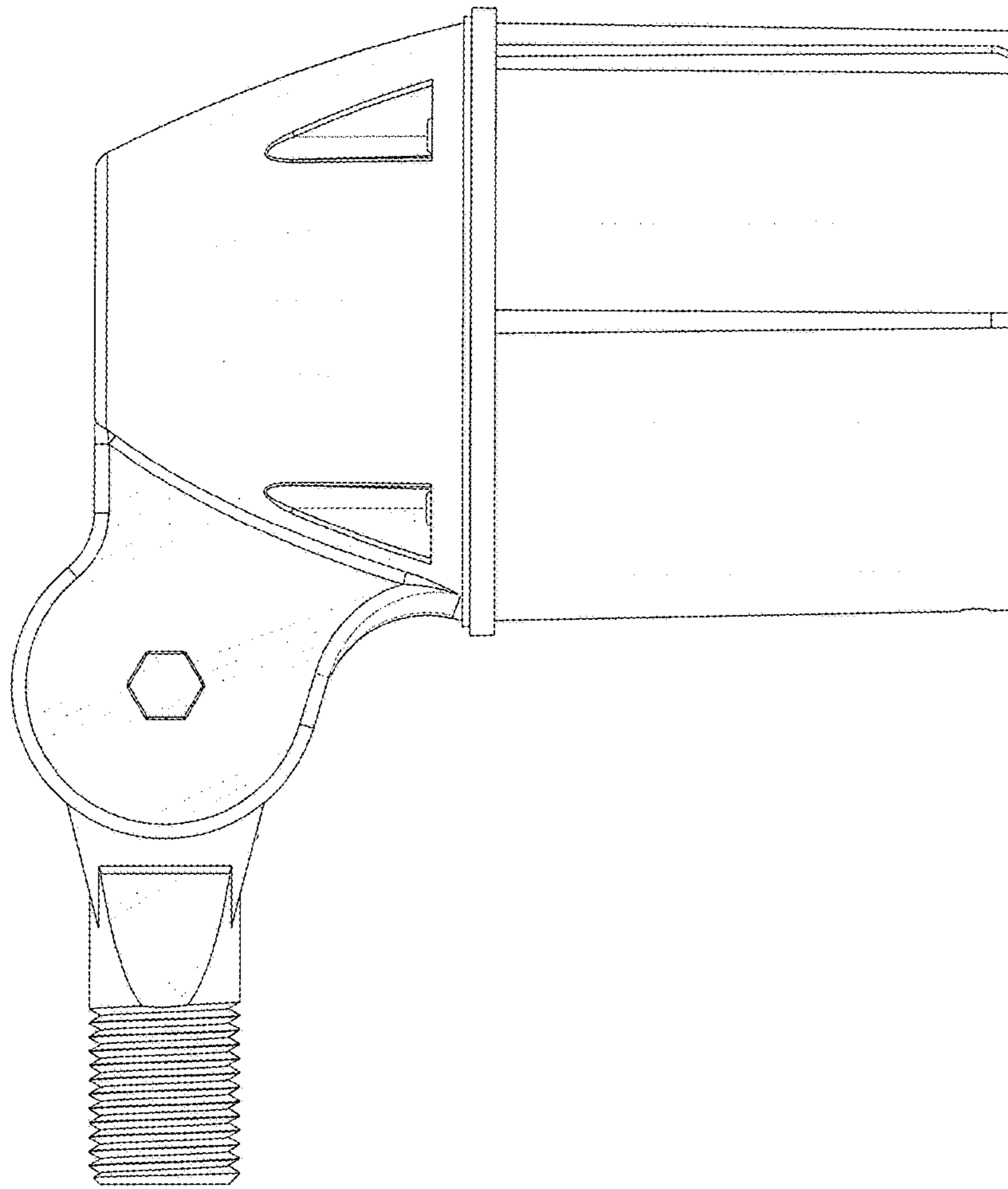


FIG.3

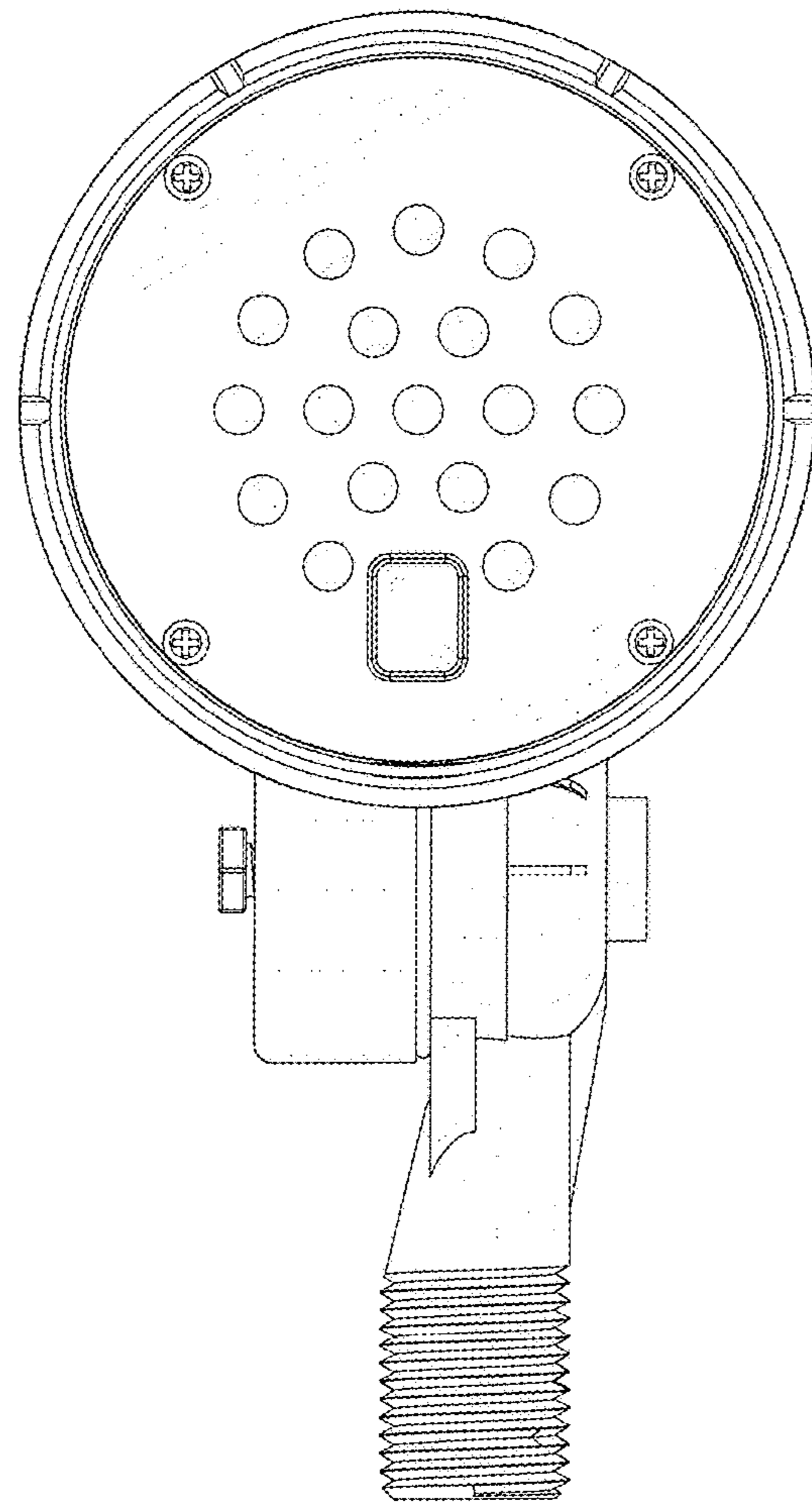


FIG.4

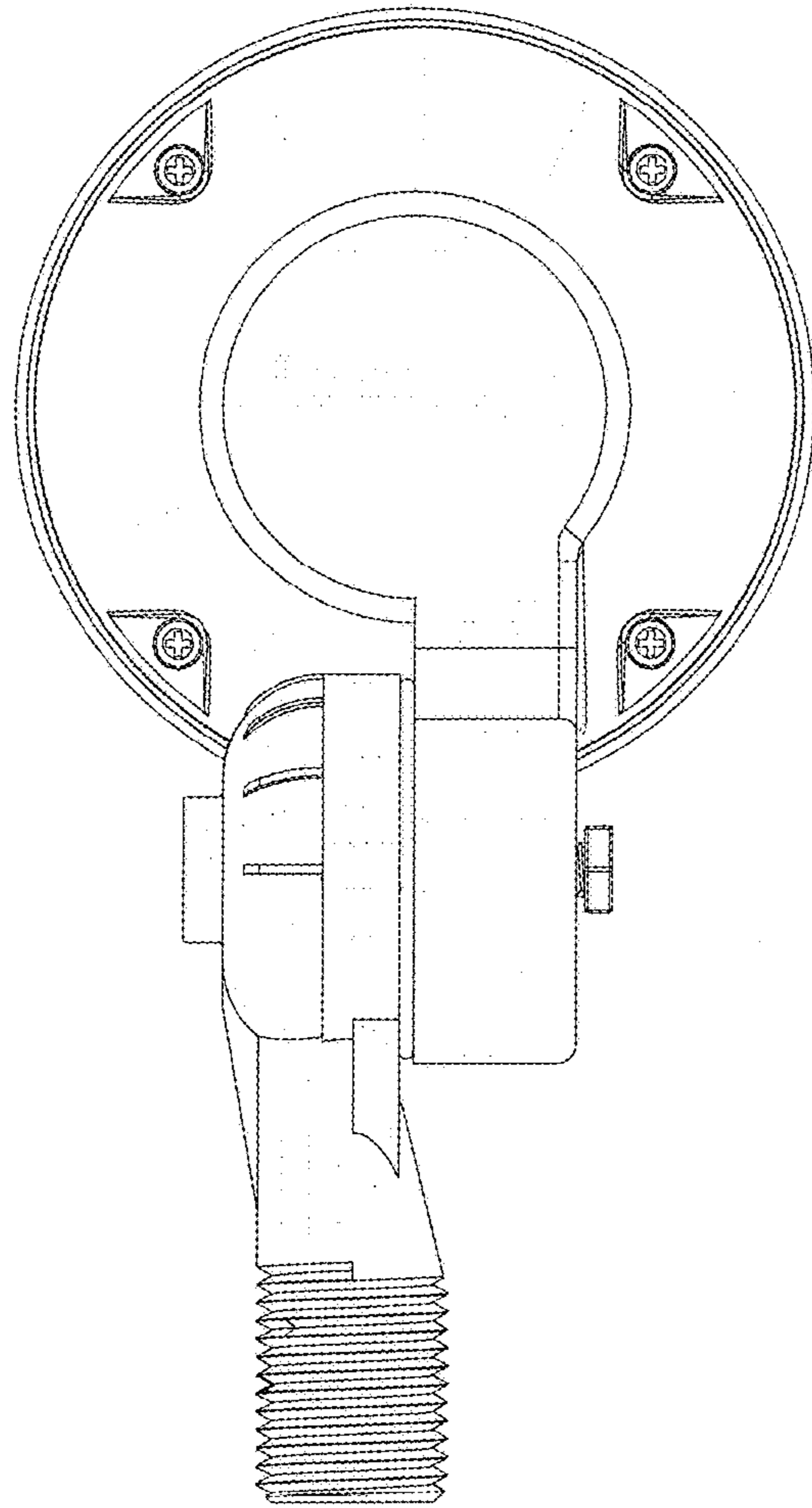


FIG.5



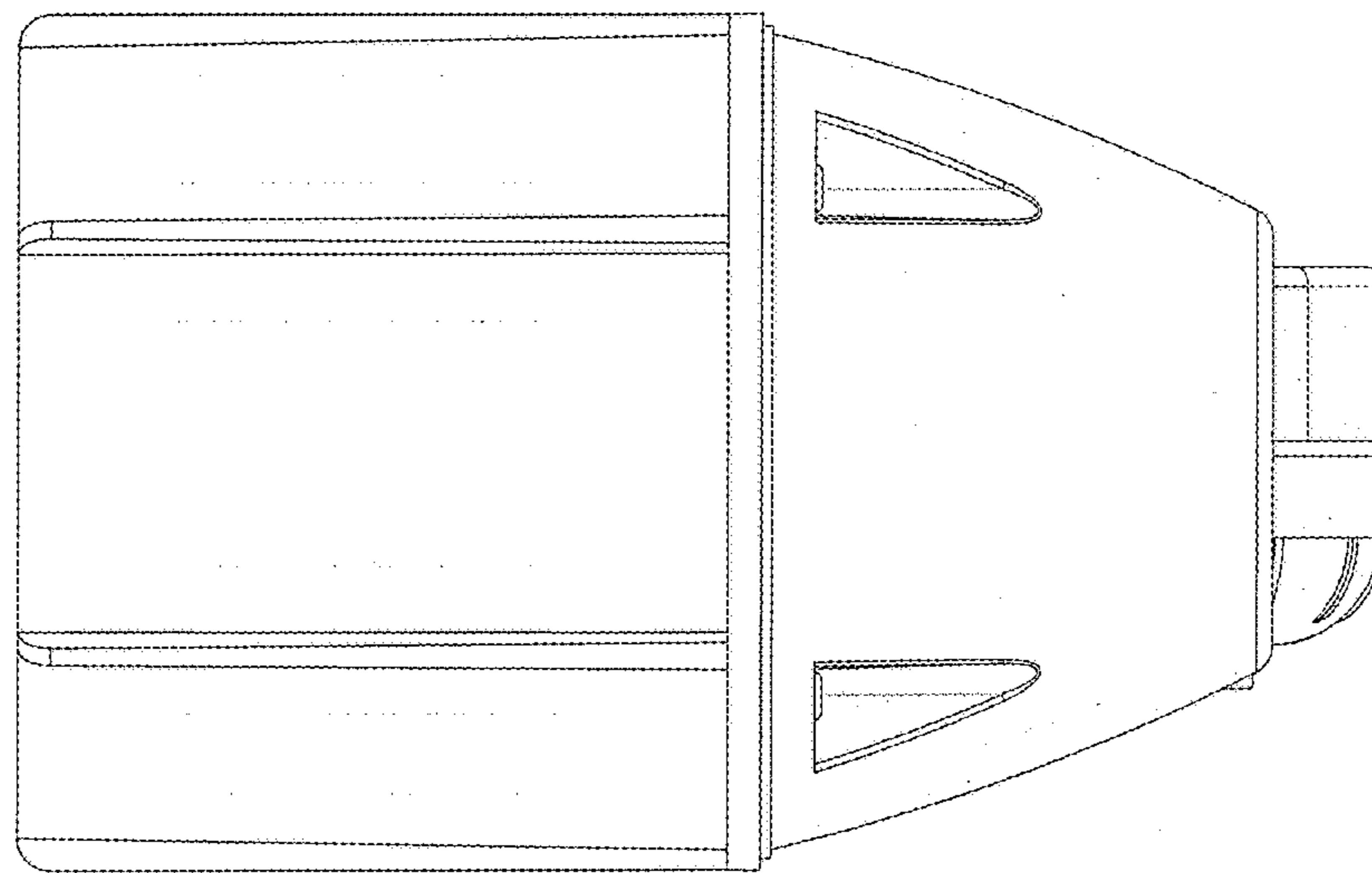


FIG.6

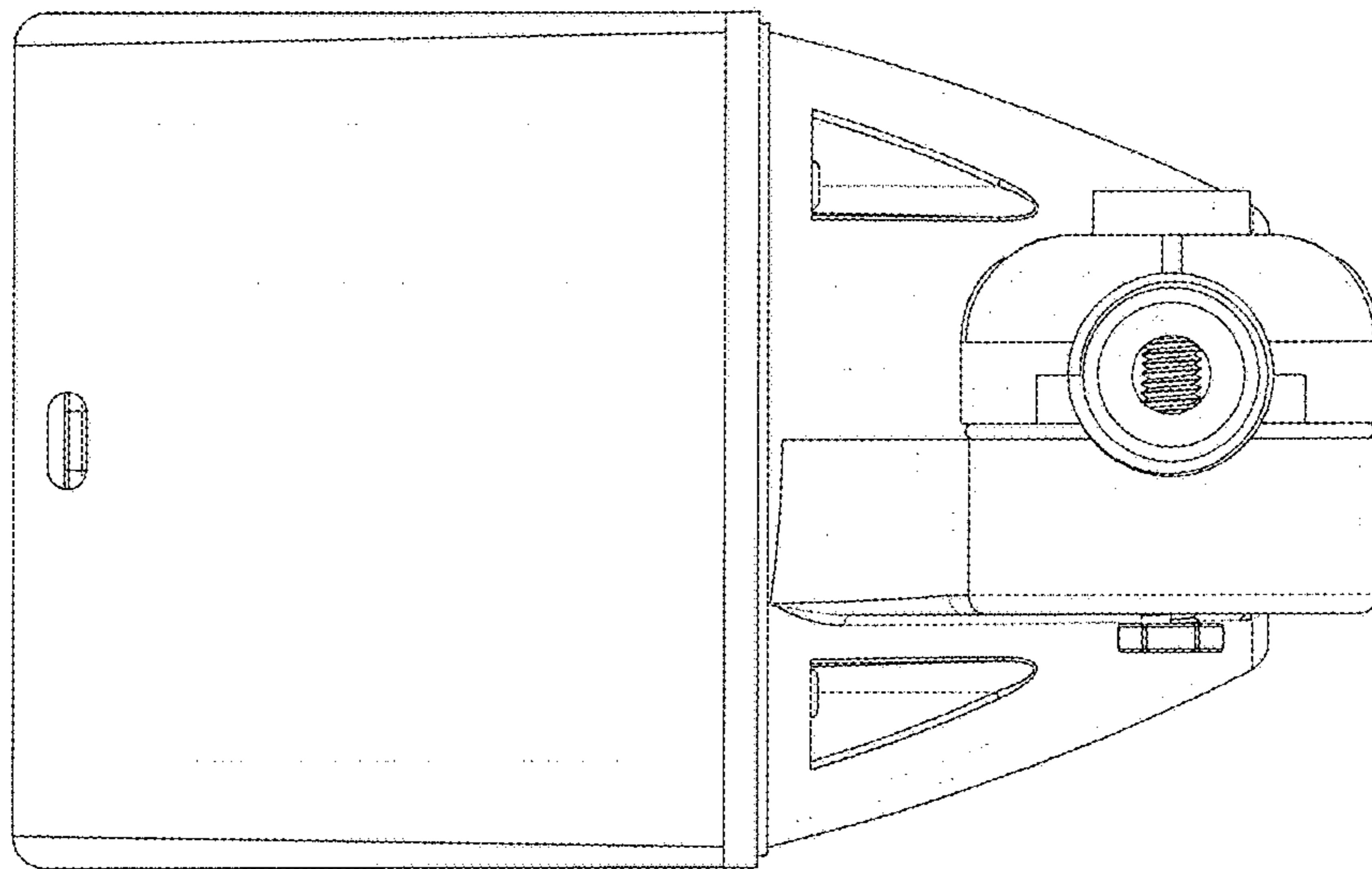


FIG. 7