



US00D854716S

(12) **United States Design Patent**
Kuriki

(10) **Patent No.:** **US D854,716 S**
(45) **Date of Patent:** **** Jul. 23, 2019**

(54) **REAR COMBINATION LAMP FOR A MOTOR SCOOTER**

(71) Applicant: **HONDA MOTOR CO., LTD.**, Tokyo (JP)

(72) Inventor: **Daisuke Kuriki**, Wako (JP)

(73) Assignee: **HONDA MOTOR CO., LTD.**, Tokyo (JP)

(**) Term: **15 Years**

(21) Appl. No.: **29/638,404**

(22) Filed: **Feb. 27, 2018**

(30) **Foreign Application Priority Data**

Aug. 31, 2017 (JP) 2017-018845

(51) **LOC (11) Cl.** **26-06**

(52) **U.S. Cl.**
USPC **D26/28**

(58) **Field of Classification Search**
USPC D26/28-36
CPC F21S 48/00; F21S 48/10; F21S 48/115;
F21S 48/225; F21S 48/1233; F21S 48/1266; F21S 48/1388; F21S 48/2268;
F21V 21/04; F21V 13/00; F21V 29/004
See application file for complete search history.

(56) **References Cited**

U.S. PATENT DOCUMENTS

D596,767 S	*	7/2009	Idei	D26/28
D600,374 S	*	9/2009	Brew	D26/28
D601,728 S	*	10/2009	Kogo	D26/28
D605,793 S	*	12/2009	Weil	D26/28
D617,021 S	*	6/2010	Ishiguri	D26/28
D693,038 S	*	11/2013	Kojima	D26/28

* cited by examiner

Primary Examiner — Marcus A Jackson

(74) *Attorney, Agent, or Firm* — Birch, Stewart, Kolasch & Birch, LLP

(57) **CLAIM**

The ornamental design for a rear combination lamp for a motor scooter, as shown and described.

DESCRIPTION

FIG. 1 is a front right perspective view of a rear combination lamp for a motor scooter.
FIG. 2 is a front left perspective view thereof.
FIG. 3 is a front elevation view thereof.
FIG. 4 is a right side elevation view thereof.
FIG. 5 is a top plan view thereof; and,
FIG. 6 is a bottom plan view thereof.
The broken lines shown in the drawings illustrate portions of the rear combination lamp for a motor scooter that form no part of the claimed design.

1 Claim, 6 Drawing Sheets

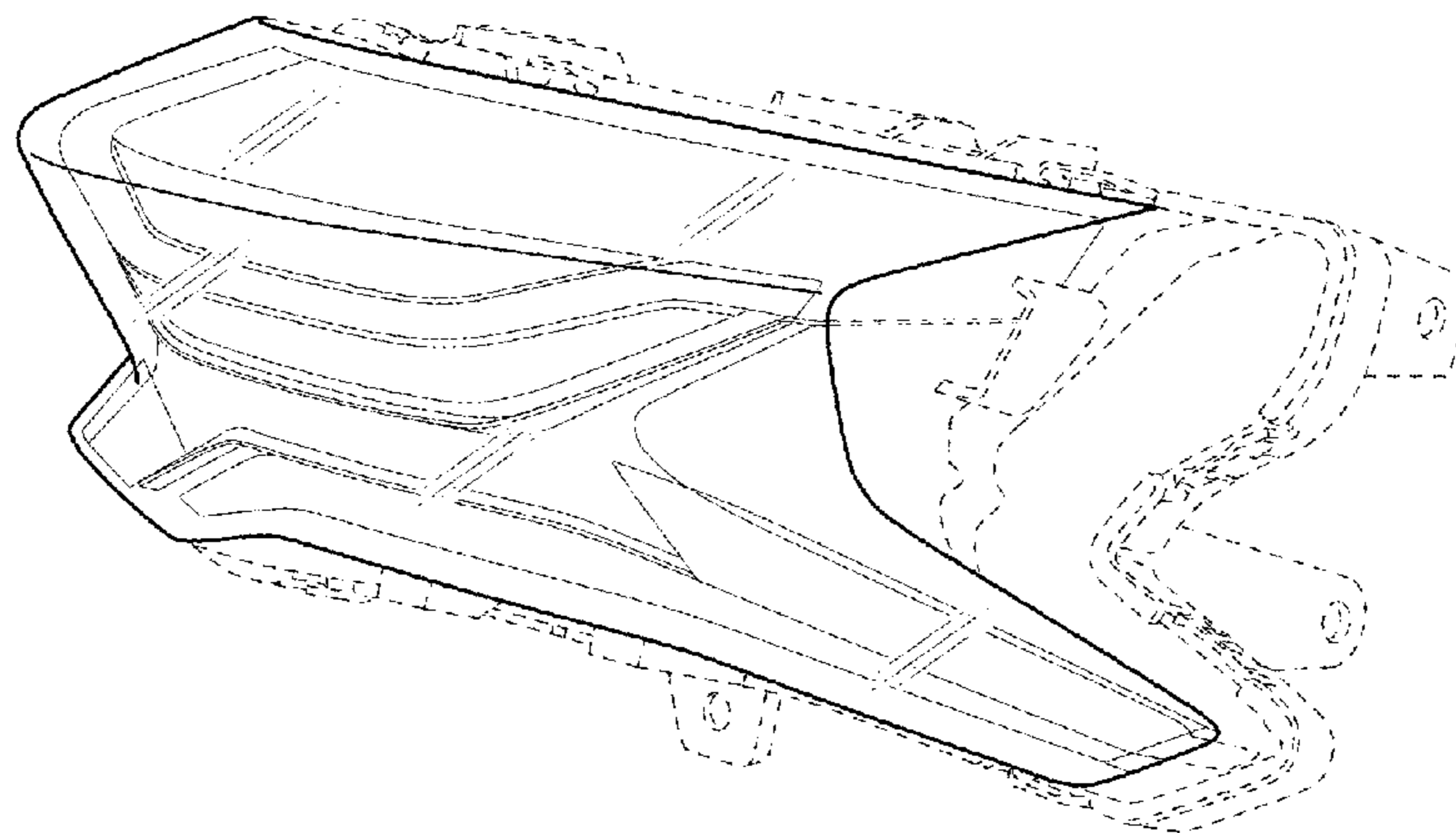


FIG. 1

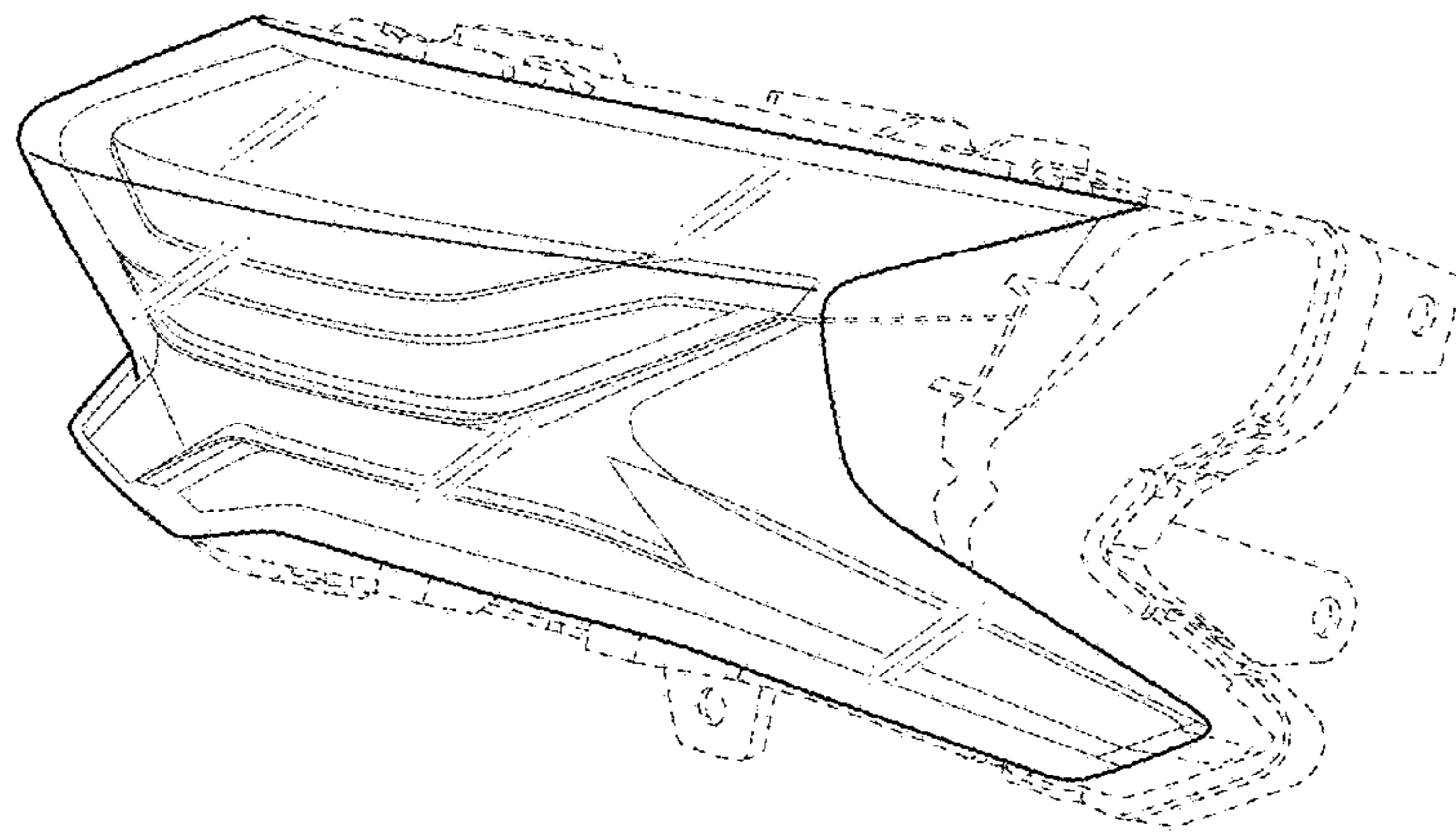


FIG. 2

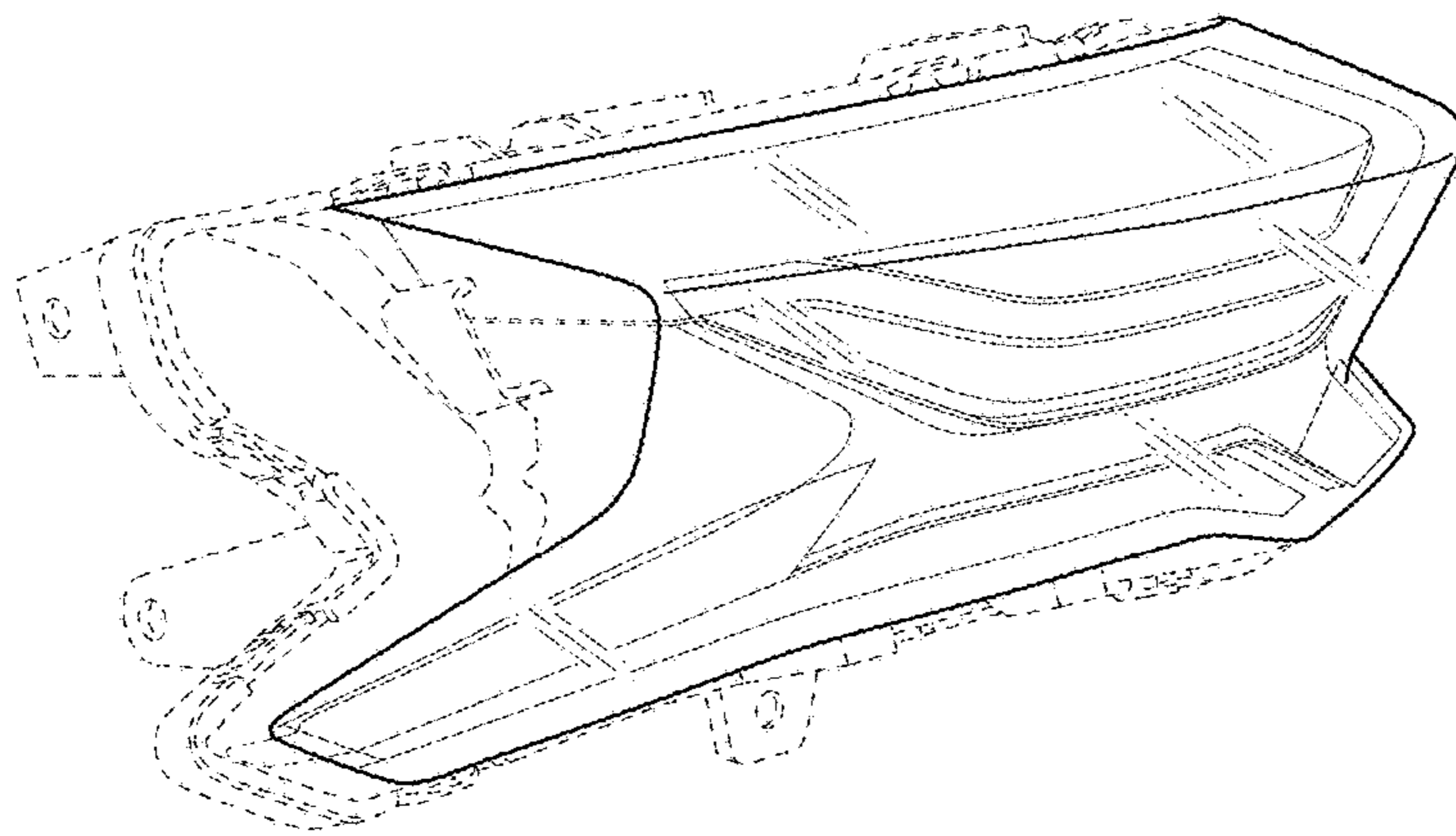


FIG. 3

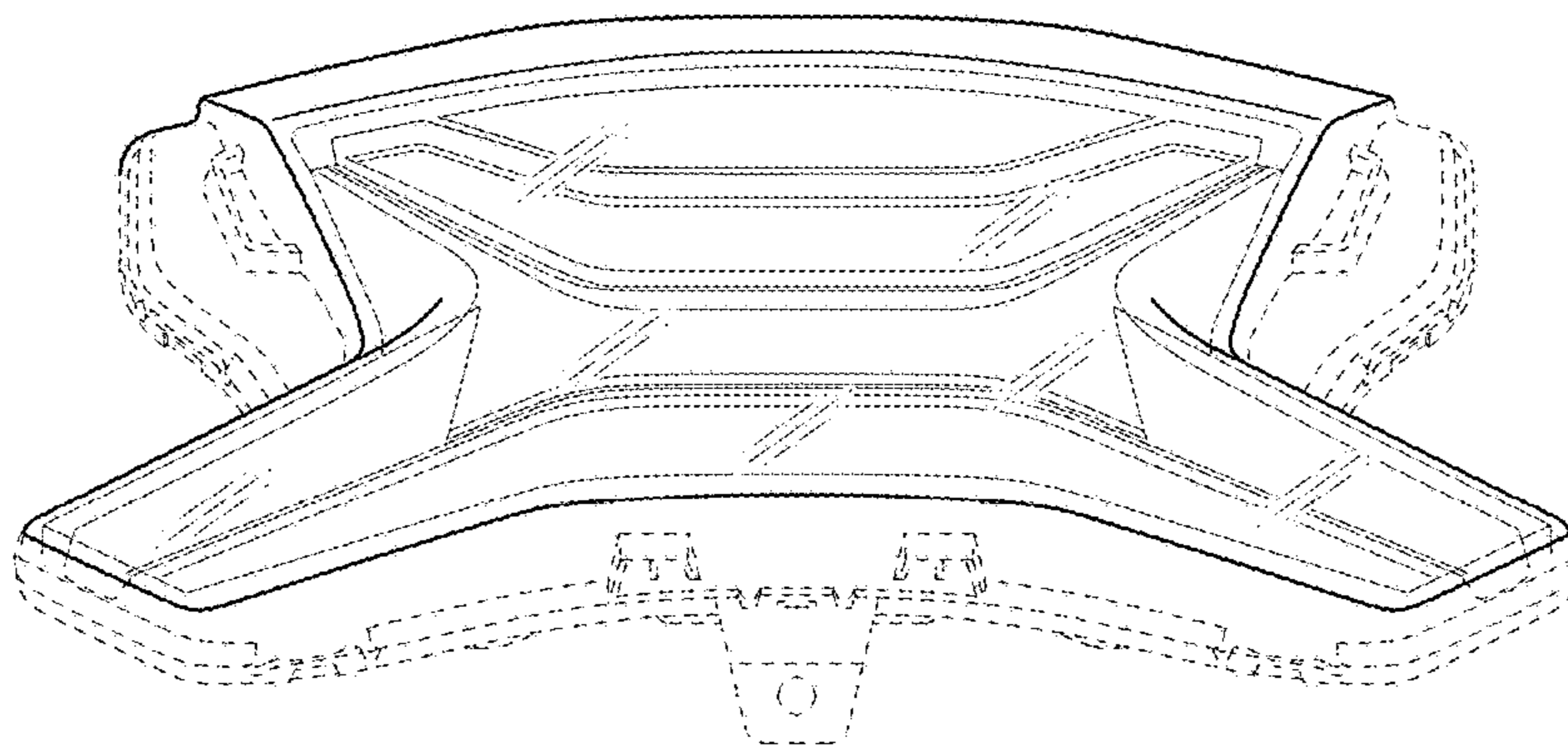


FIG. 4

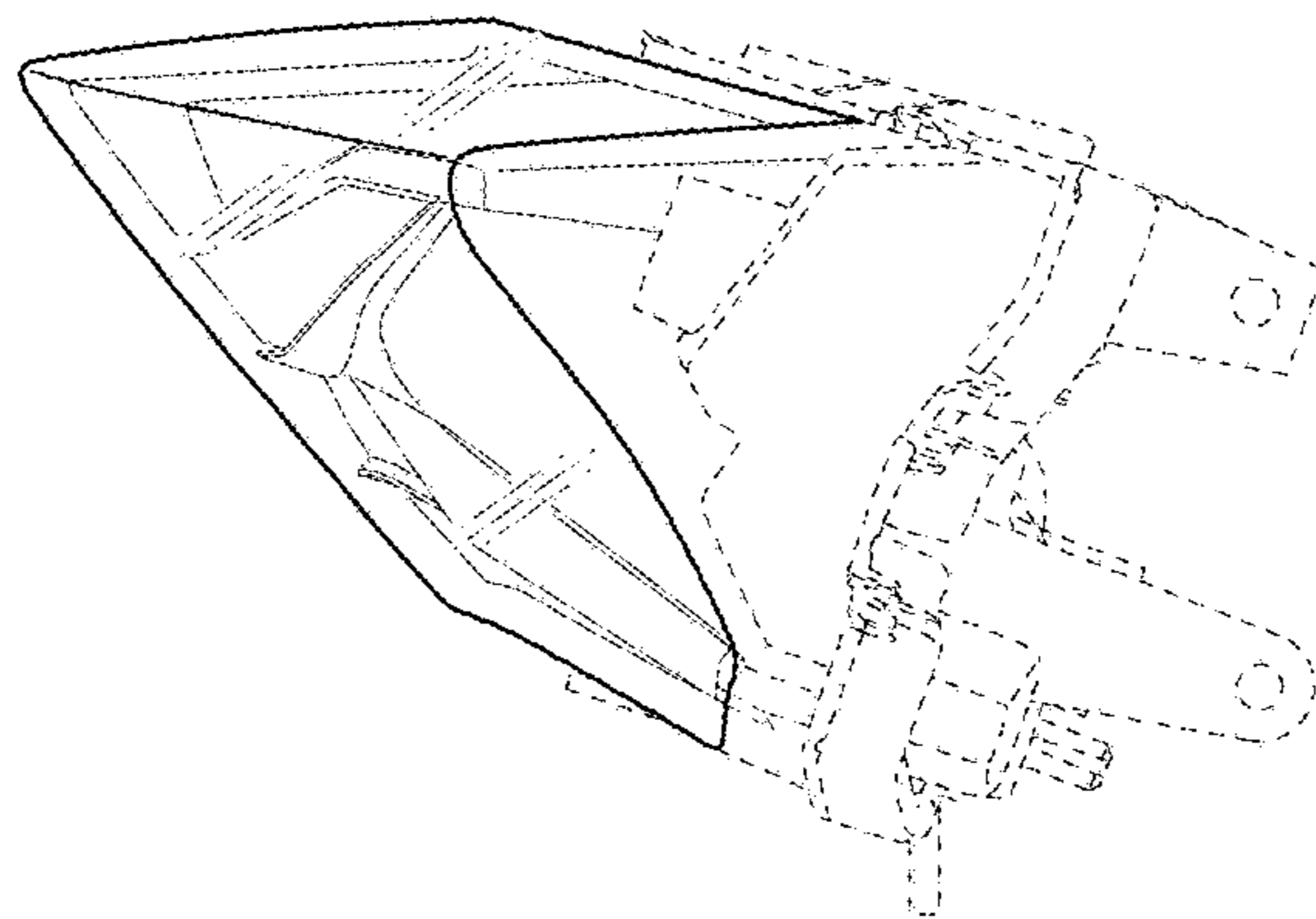


FIG. 5

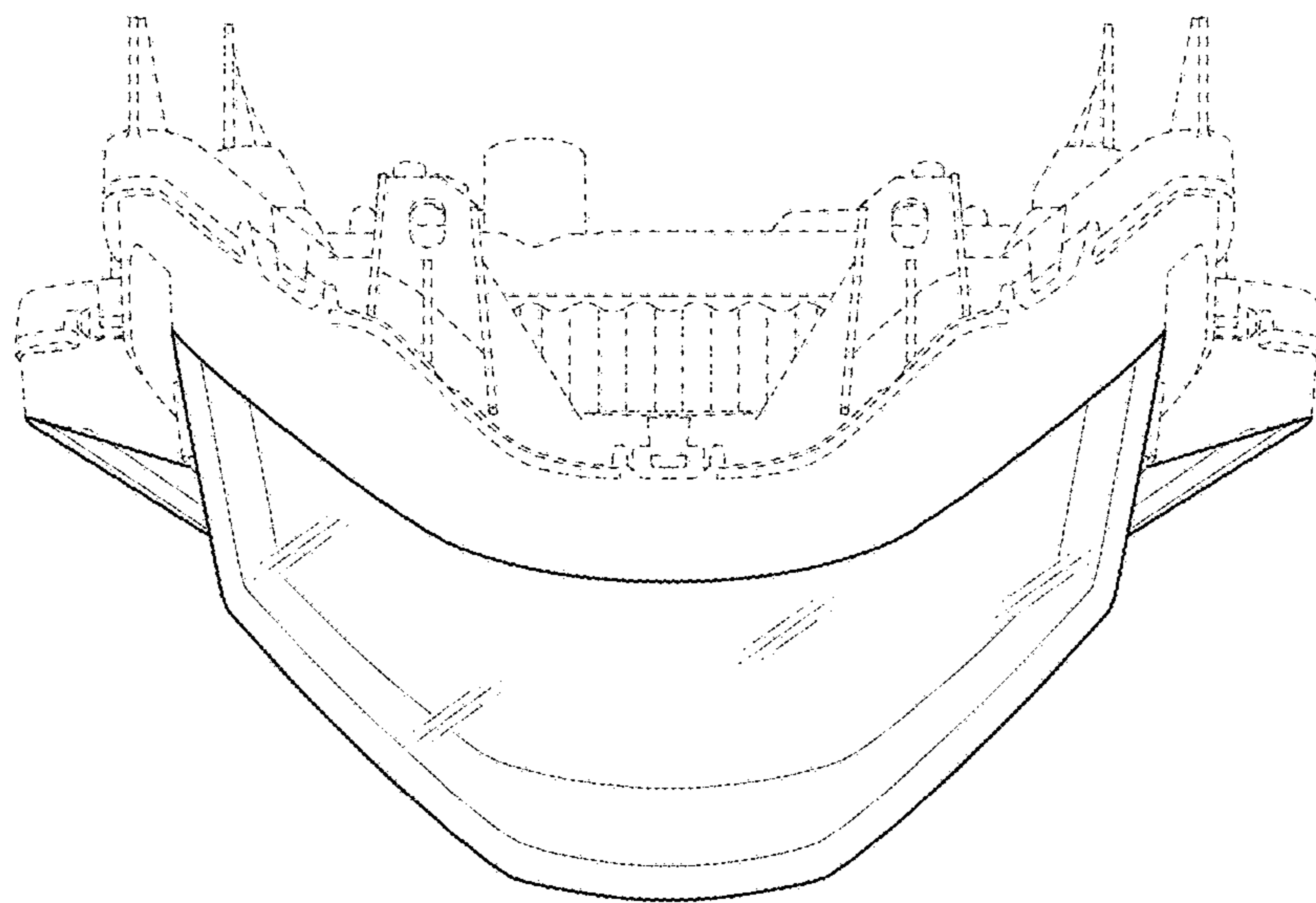


FIG. 6

