



US00D854715S

(12) **United States Design Patent**
Kang et al.

(10) **Patent No.:** **US D854,715 S**
(45) **Date of Patent:** **** Jul. 23, 2019**

(54) **LED BULB**

5/48; H01J 5/50; H01J 19/54; F21V 5/00;
F21V 13/00; F21V 29/004

(71) Applicant: **Lumileds Holding B.V.**, Schiphol (NL)

See application file for complete search history.

(72) Inventors: **Chunheng Kang**, Perak (MY); **Lan Li**,
Shanghai (CN); **Hui Ling Pan**,
Shanghai (CN); **Shanhai Guo**,
Shanghai (CN); **Xin Sheng**, Shanghai
(CN); **Yuanyuan Wang**, Shanghai
(CN); **Shengjin Chen**, Shanghai (CN);
Fangzhong Shen, Shanghai (CN)

(56)

References Cited

U.S. PATENT DOCUMENTS

D392,057 S *	3/1998	Chen	D26/2
D405,201 S *	2/1999	Lodhie	D26/2
D426,899 S *	6/2000	Au Yeng	D26/2
D543,644 S *	5/2007	Bembridge	D26/2
D689,219 S *	9/2013	Zhang	D26/2

(73) Assignee: **Lumileds Holding B.V.**, Schiphol (NL)

* cited by examiner

(**) Term: **15 Years**

Primary Examiner — Marcus A Jackson

(21) Appl. No.: **29/638,736**

(74) *Attorney, Agent, or Firm* — Seyfarth Shaw LLP

(22) Filed: **Feb. 28, 2018**

(57)

CLAIM

The ornamental design for an LED bulb, as shown and described.

(30) **Foreign Application Priority Data**

DESCRIPTION

Aug. 31, 2017 (CN) 2017 3 0407822

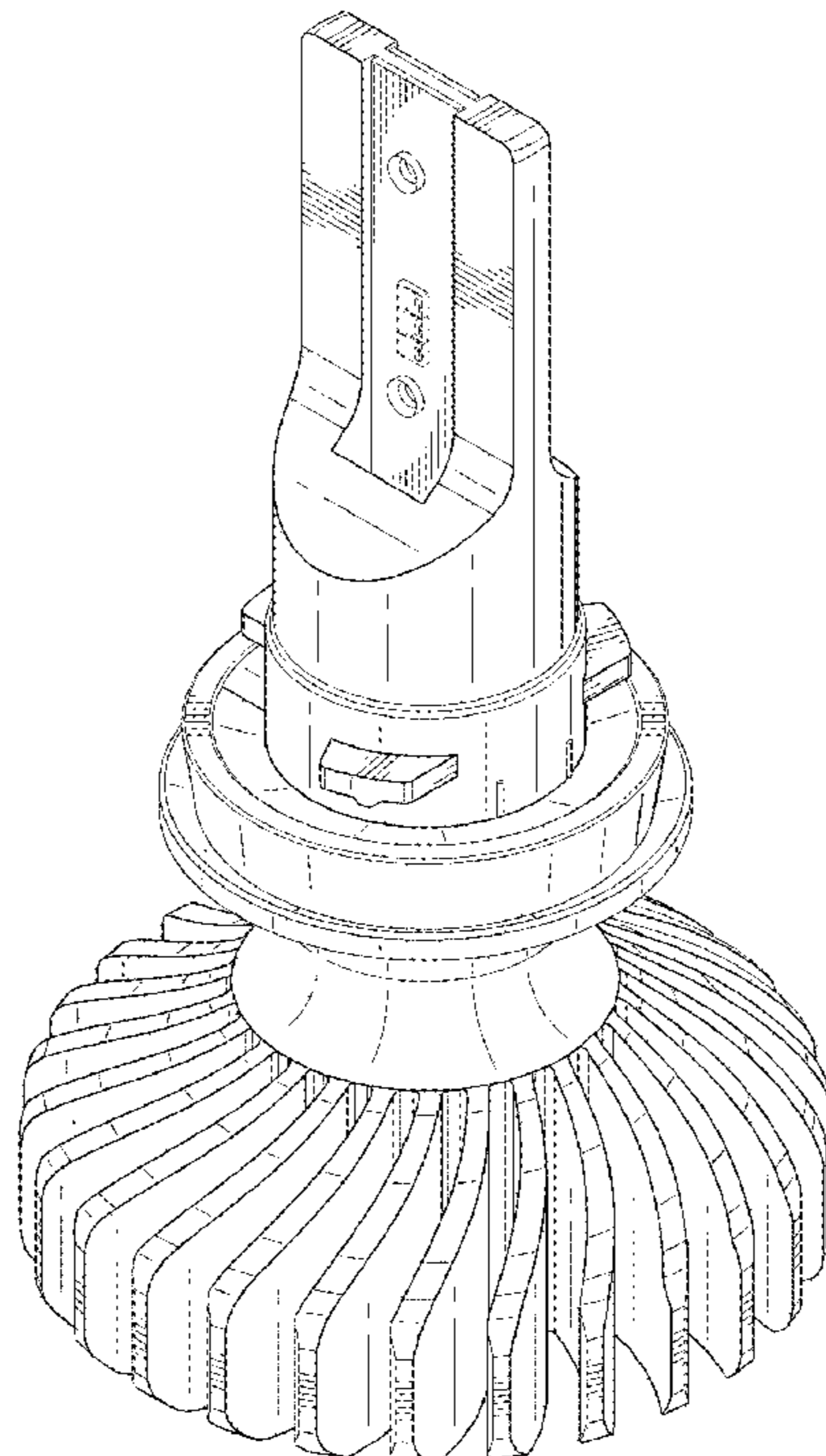
(51) **LOC (11) Cl.** **26-04**

(52) **U.S. Cl.**
USPC **D26/2**

(58) **Field of Classification Search**
USPC D26/1-4
CPC F21K 9/13; F21K 9/135; F21K 9/1375;
H01R 5/00; H01R 13/46; H01R 13/514;
H01R 31/048; H01R 31/02; H01J 5/00;
H01J 5/16; H01J 1/02; H01J 15/00; H01J

FIG. 1 is a perspective view of an LED bulb in accordance with our design;
FIG. 2 is a front elevation view thereof;
FIG. 3 is a rear elevation view thereof;
FIG. 4 is a right-side elevation view thereof;
FIG. 5 is a left-side elevation view thereof;
FIG. 6 is a top plan view thereof; and,
FIG. 7 is a bottom plan view thereof.

1 Claim, 7 Drawing Sheets



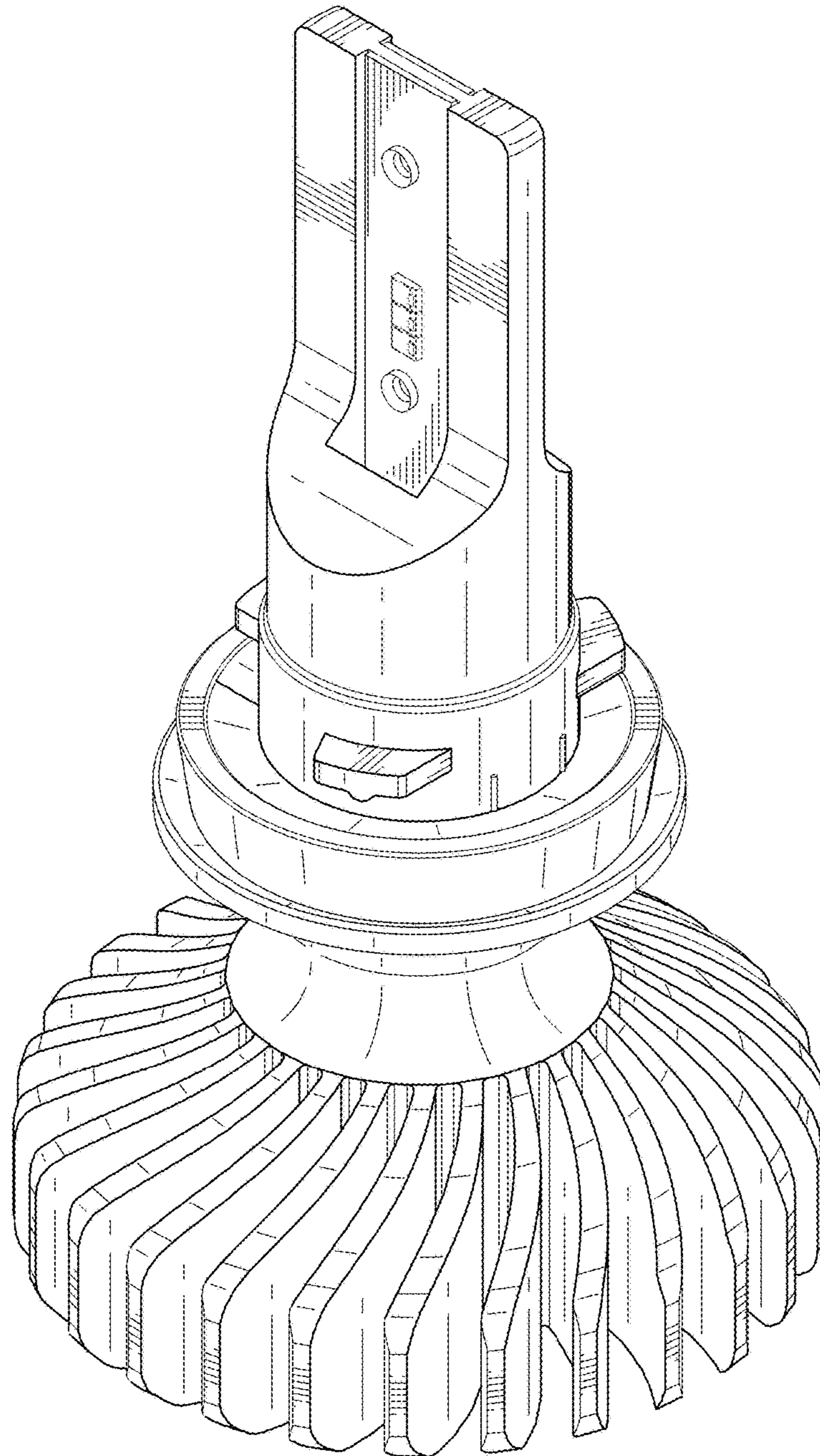


FIG. 1

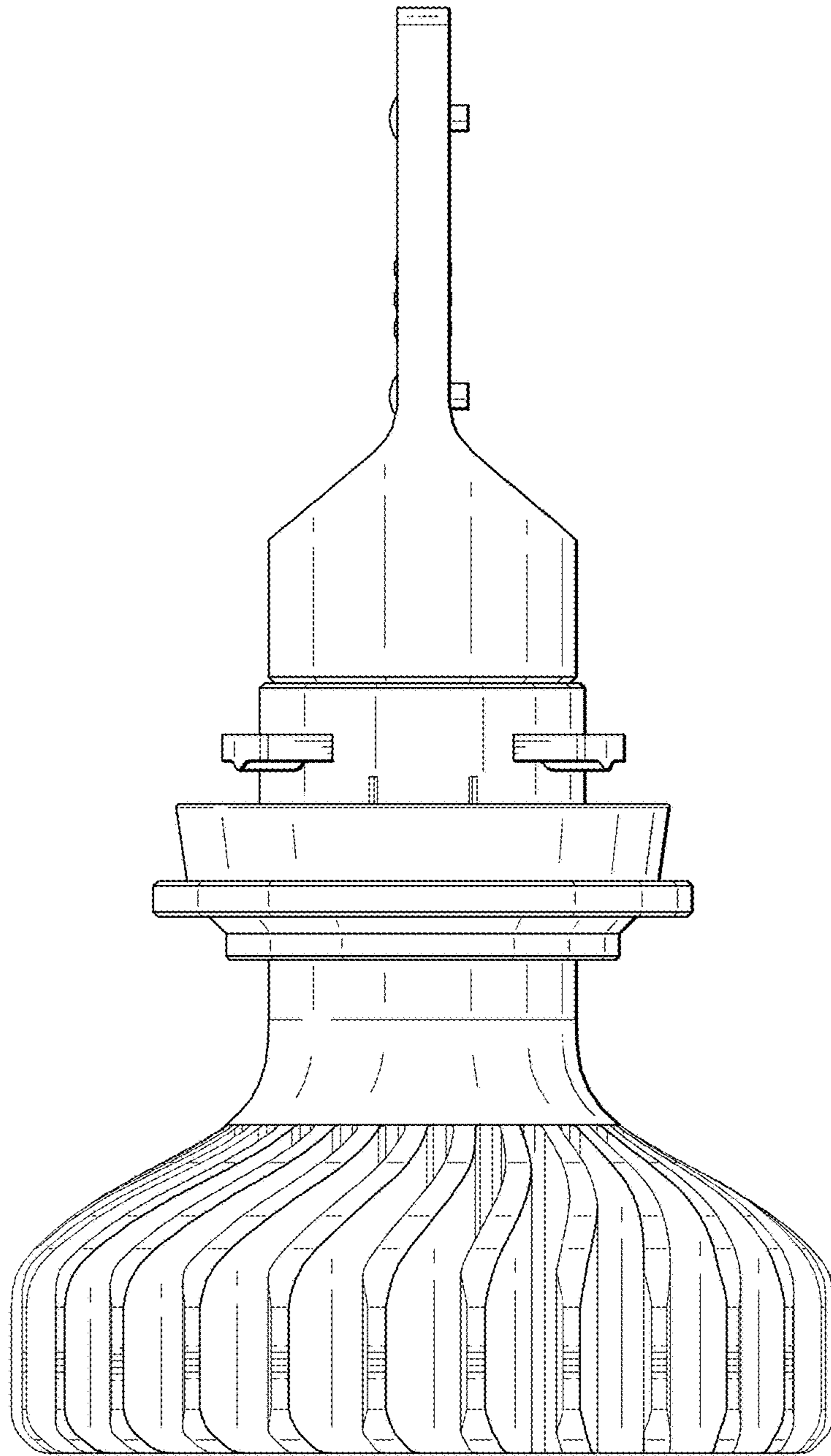


FIG. 2

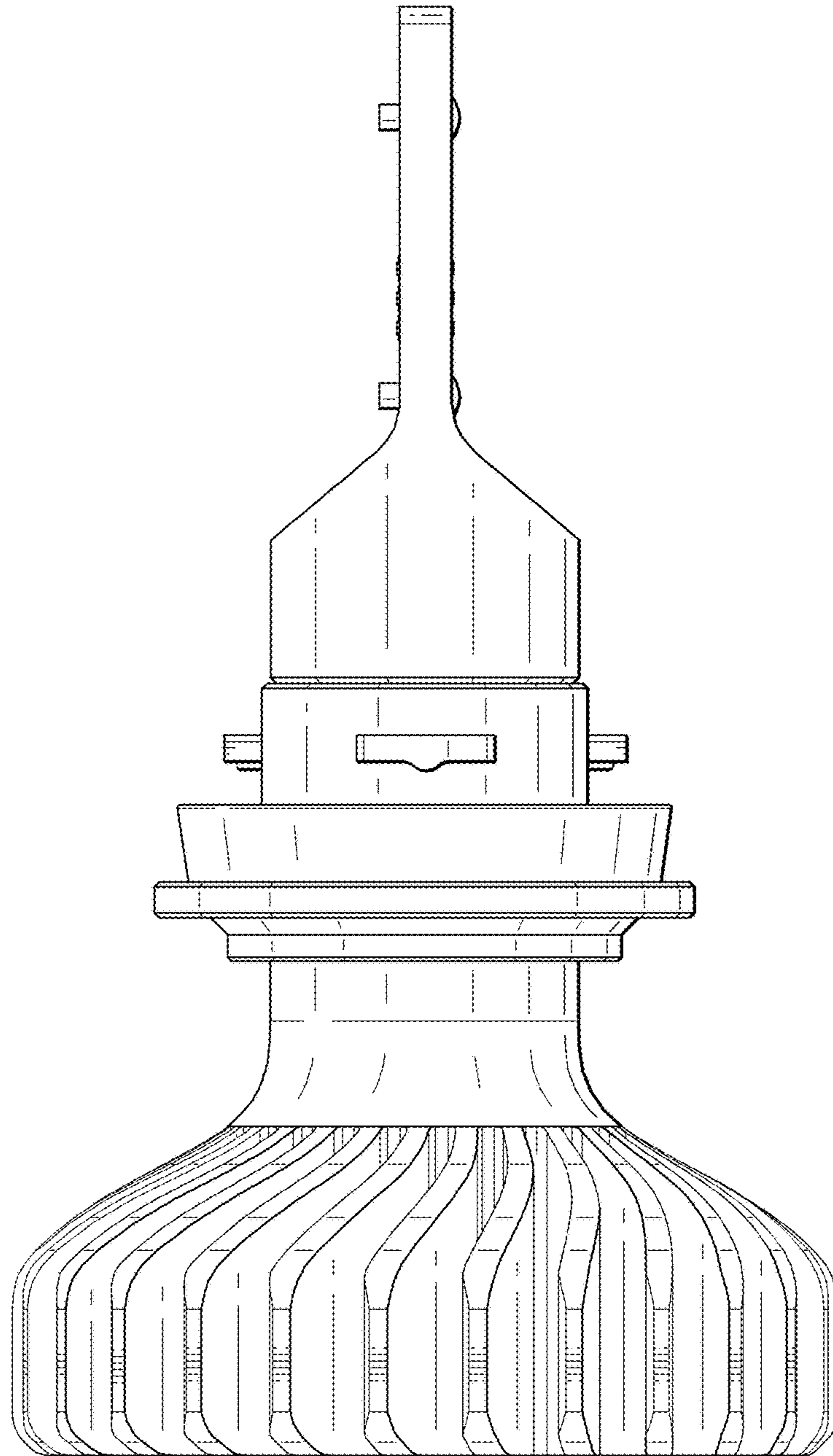


FIG. 3

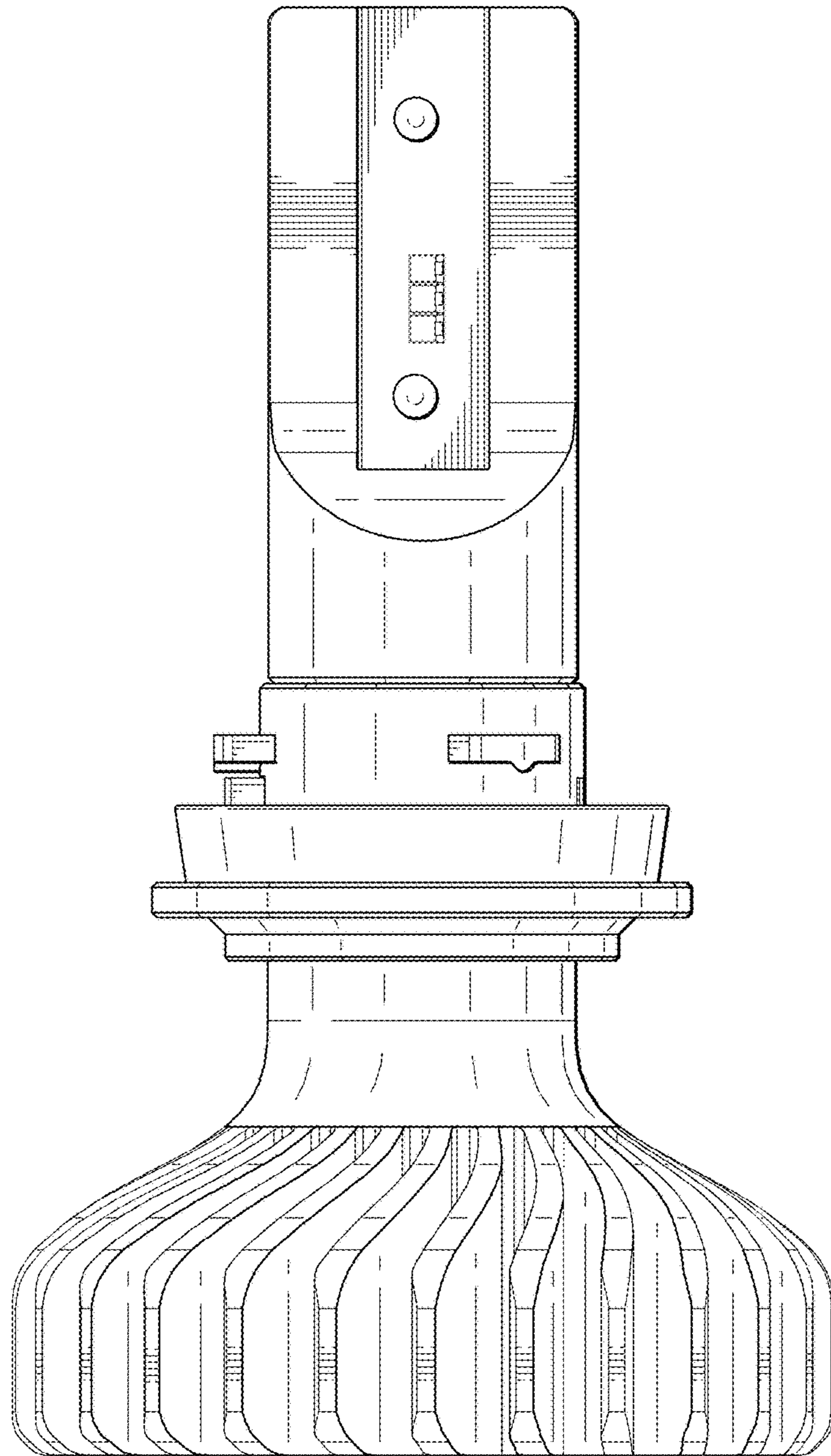


FIG. 4

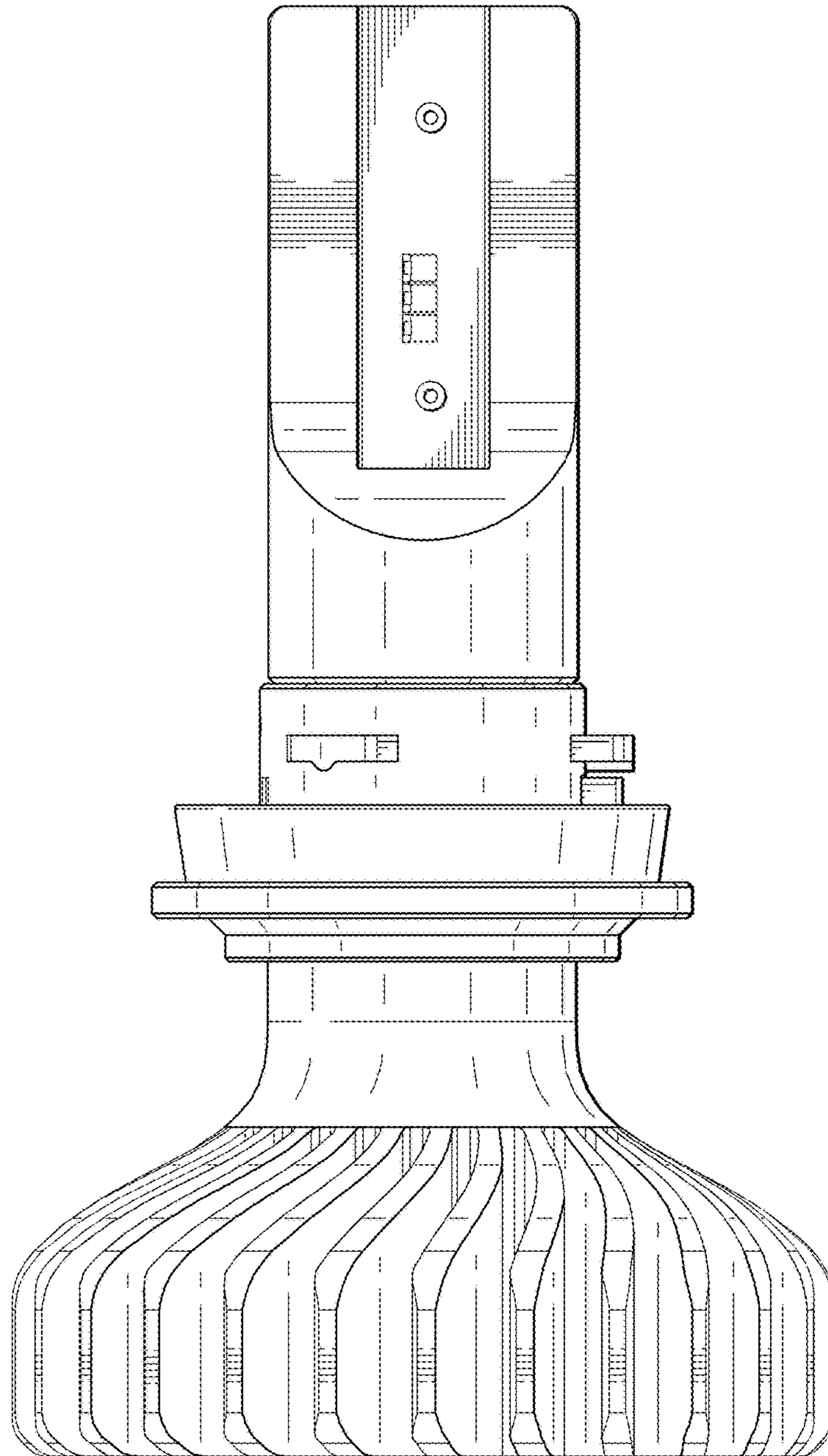


FIG. 5

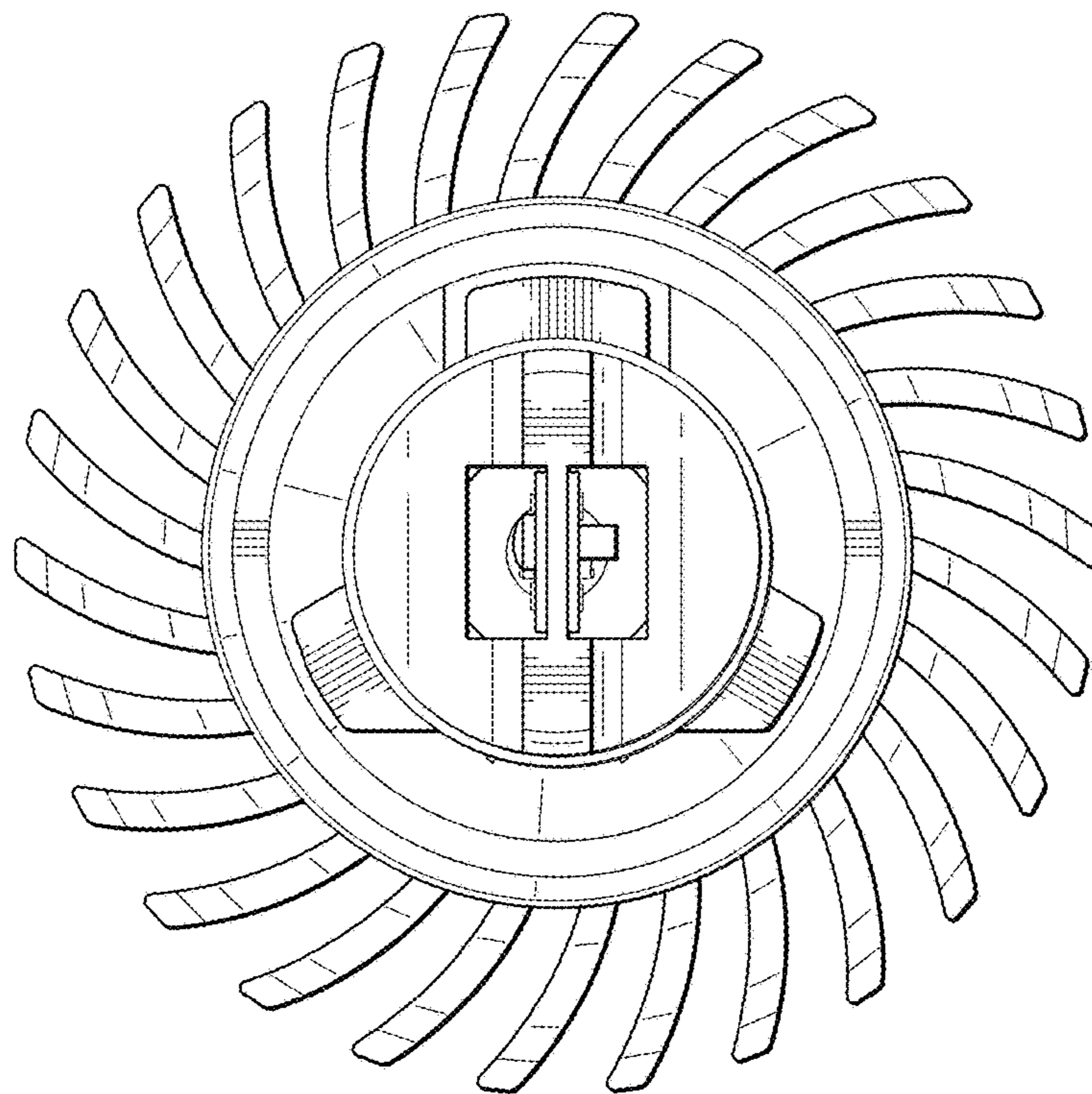


FIG. 6

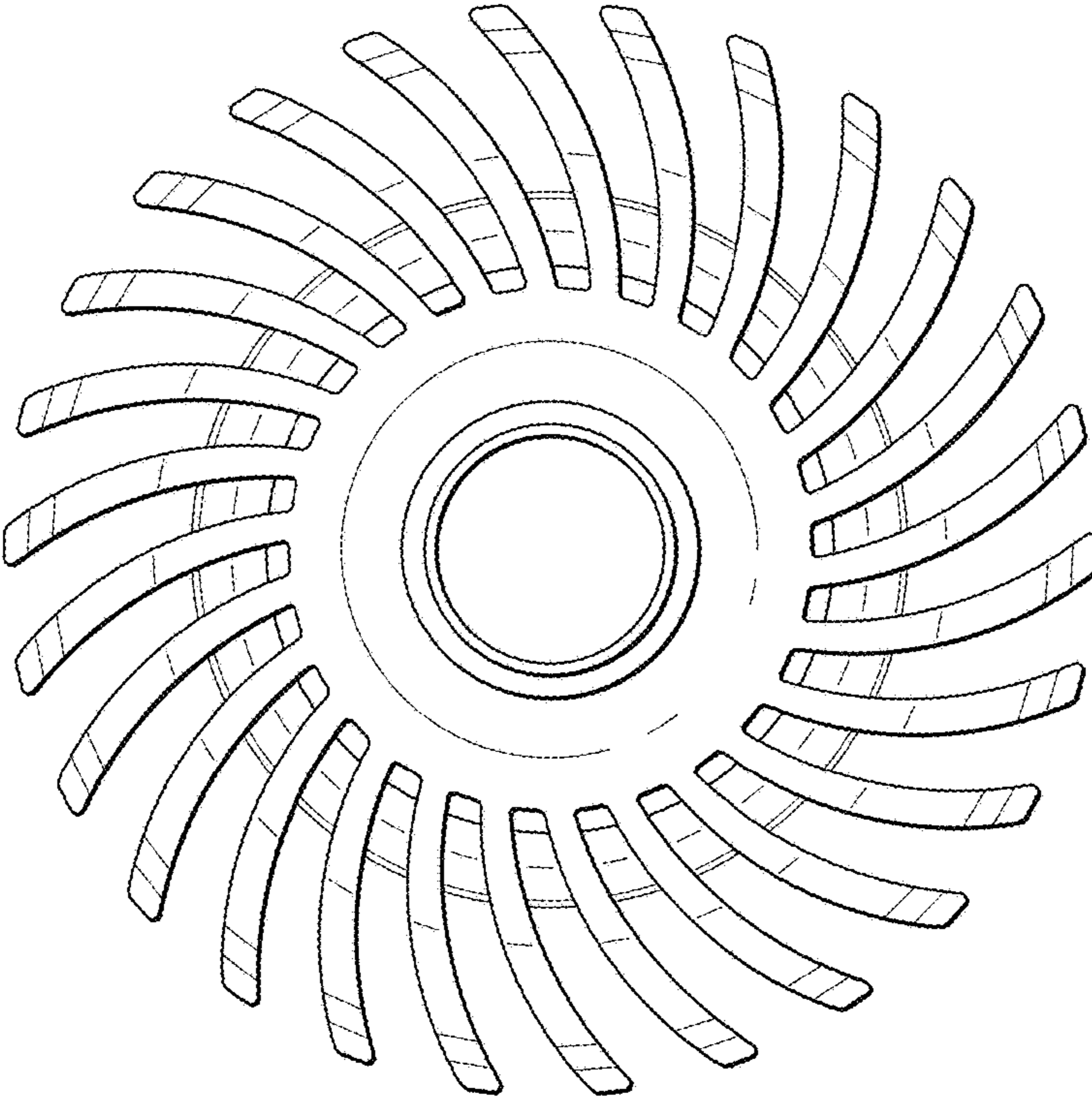


FIG. 7