



US00D854714S

(12) **United States Design Patent** (10) **Patent No.:** **US D854,714 S**
Kuppens et al. (45) **Date of Patent:** **** Jul. 23, 2019**

(54) **LED BULB**

(56) **References Cited**

(71) Applicant: **SIGNIFY HOLDING B.V.**, Eindhoven (NL)

U.S. PATENT DOCUMENTS

(72) Inventors: **Simon Kuppens**, Geldrop (NL);
Genevieve Martin, Udenhout (NL);
Liesbet Wind, Nijmegen (NL)

D422,099 S * 3/2000 Kracke D26/2
D549,360 S * 8/2007 An D26/2
D550,864 S * 9/2007 Hernandez, Jr. D26/2
D664,683 S * 7/2012 Matsuda D26/2
D671,663 S * 11/2012 Matsuda D26/2

(73) Assignee: **SIGNIFY HOLDING B.V.**, Eindhoven (NL)

* cited by examiner

(**) Term: **15 Years**

Primary Examiner — Marcus A Jackson

(21) Appl. No.: **29/630,713**

(57) **CLAIM**

(22) Filed: **Dec. 22, 2017**

The ornamental design for a “LED bulb”, as shown and described.

(30) **Foreign Application Priority Data**

DESCRIPTION

Jun. 28, 2017 (EM) 004071694-0003

(51) **LOC (11) Cl.** **26-04**

(52) **U.S. Cl.**
USPC **D26/2**

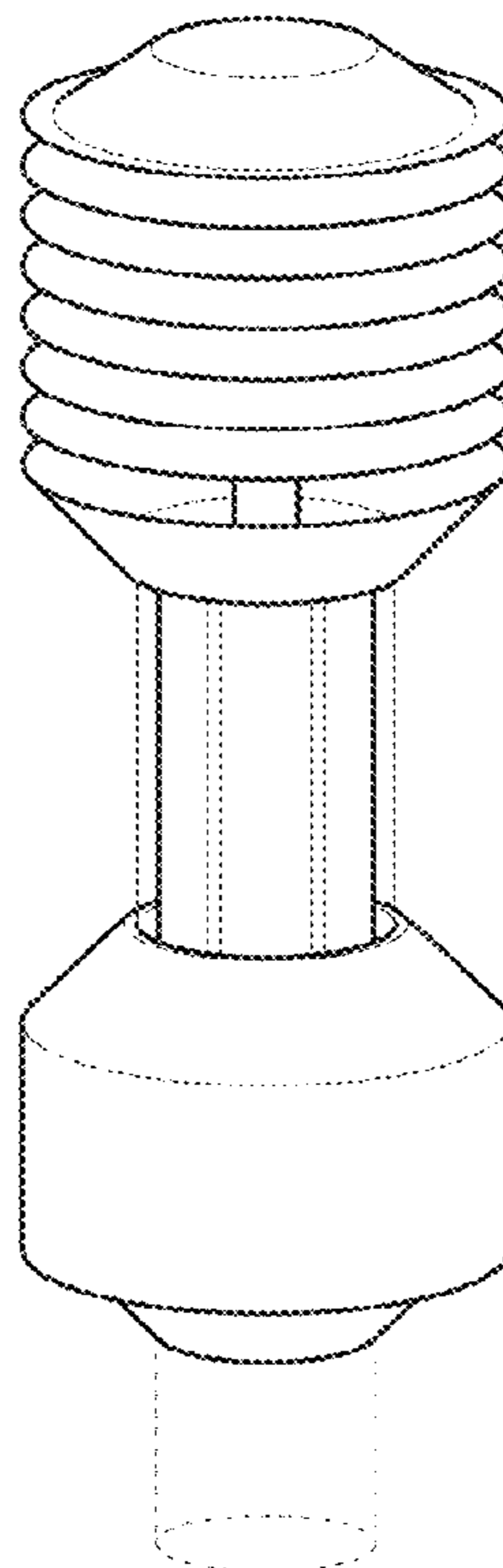
(58) **Field of Classification Search**
USPC D26/1-4
CPC H01R 5/00; H01R 13/46; H01R 13/514;
H01R 31/048; H01R 31/02; H01J 5/00;
H01J 5/16; H01J 1/02; H01J 15/00; H01J
5/48; H01J 5/50; H01J 19/54; F21V 5/00;
F21V 13/00; F21V 29/004

FIG. 1 is a perspective view showing my design;
FIG. 2 is a front elevational view thereof;
FIG. 3 is a rear elevational view thereof;
FIG. 4 is a right side elevational view thereof;
FIG. 5 is a left side elevational view thereof;
FIG. 6 is a top plan view thereof; and,
FIG. 7 is a bottom plan view thereof.

The dash-dot-dash broken lines shown represent the bounds of the claim and forms no part thereof and the dashed broken lines shown therein illustrate portions of the LED bulb that form no part of the claimed design.

See application file for complete search history.

1 Claim, 4 Drawing Sheets



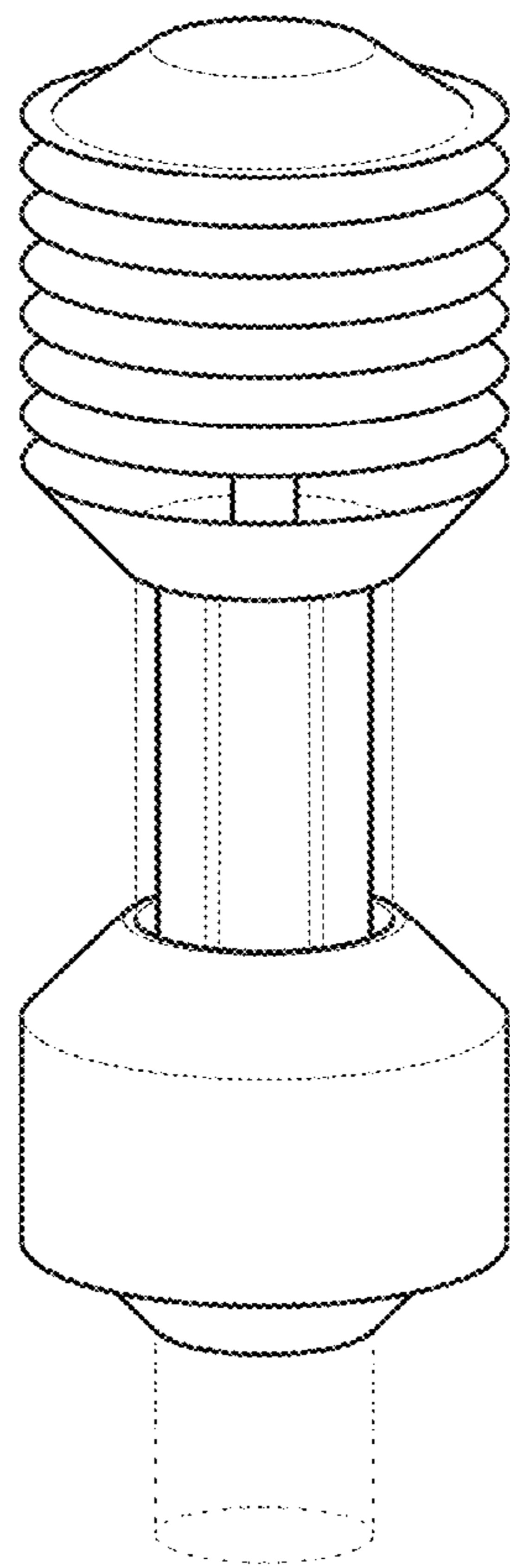


Fig. 1

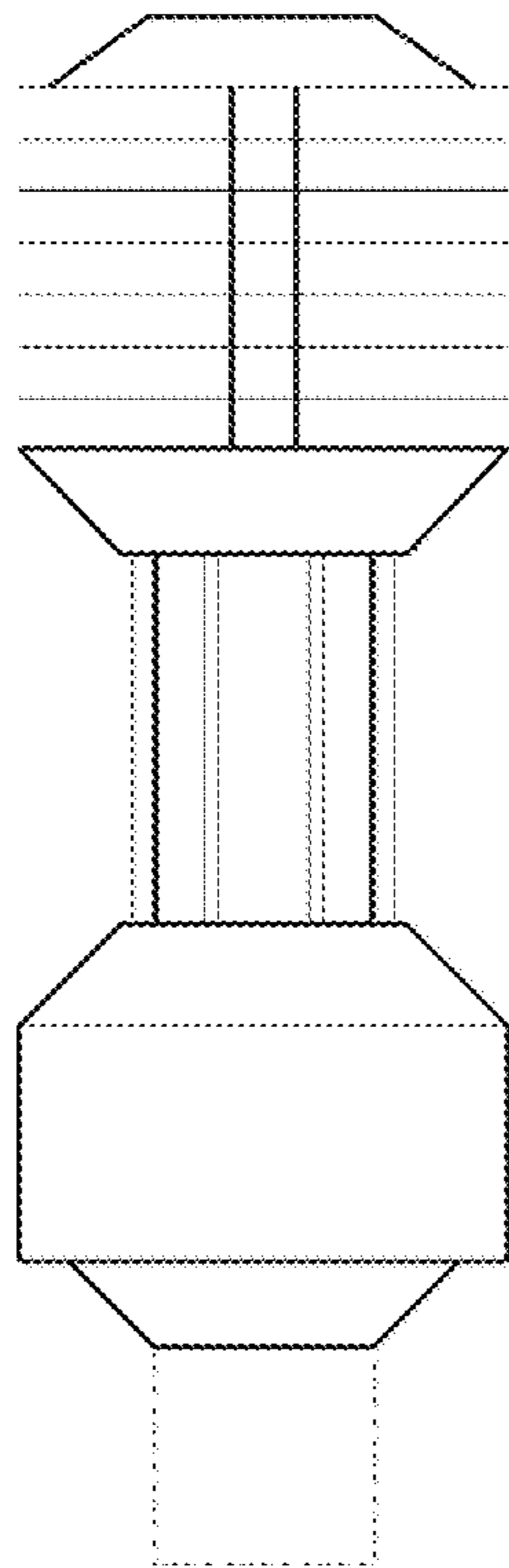


Fig.2

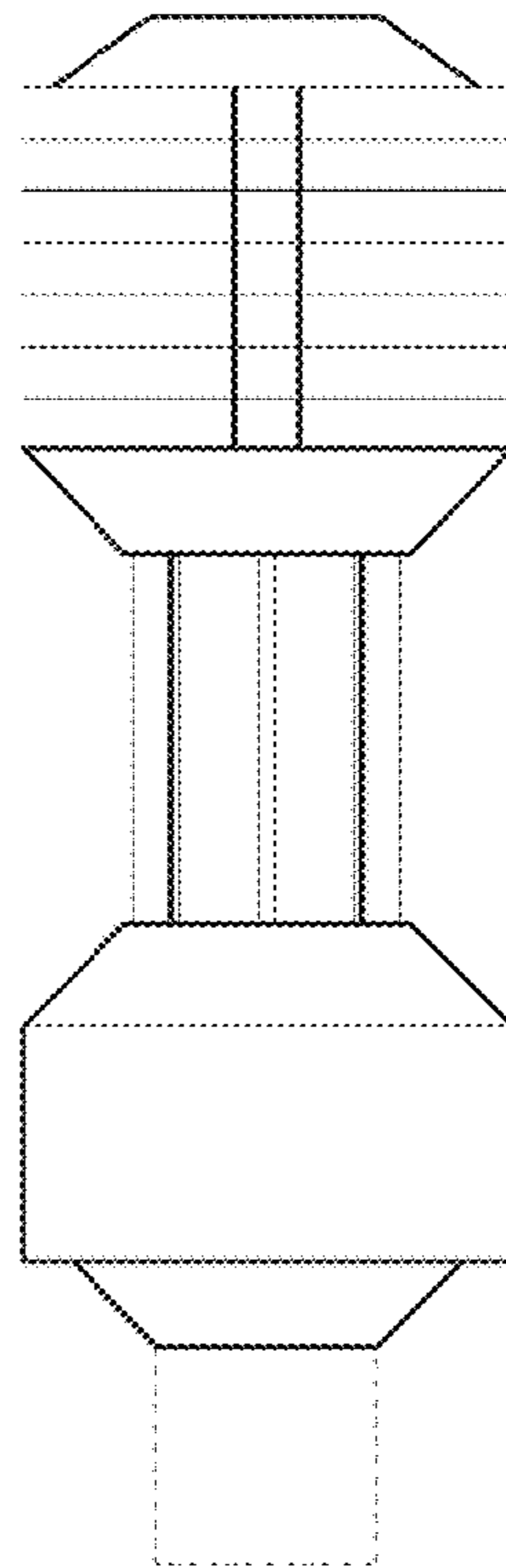


Fig.3

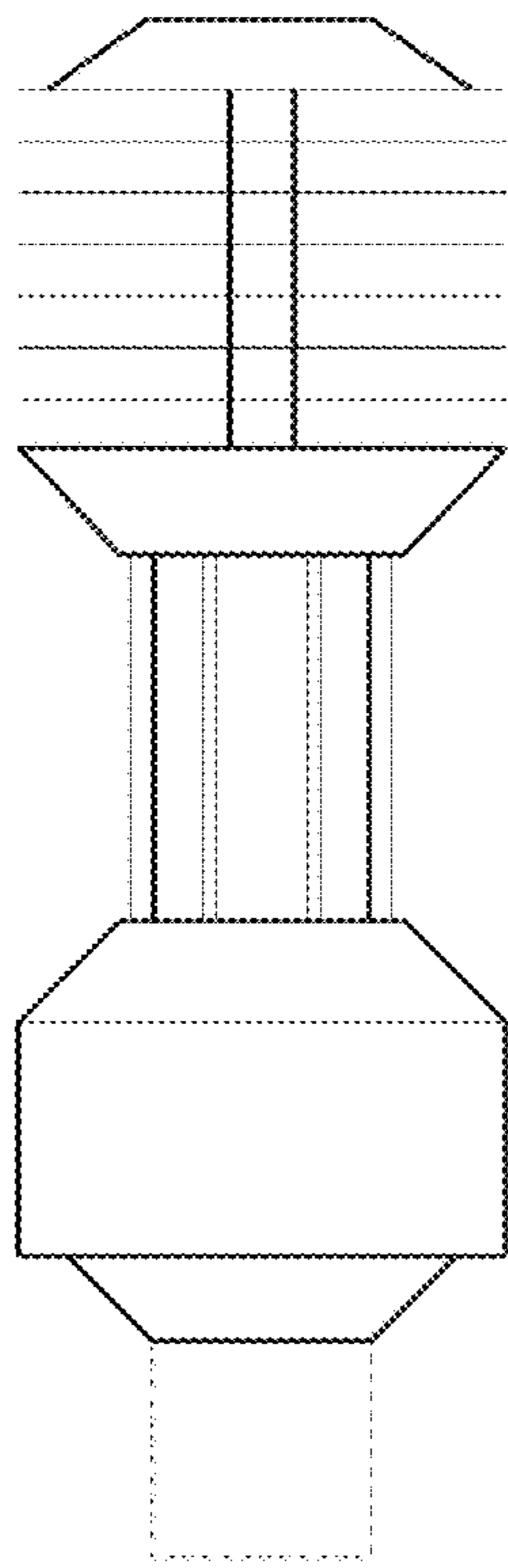


Fig.4

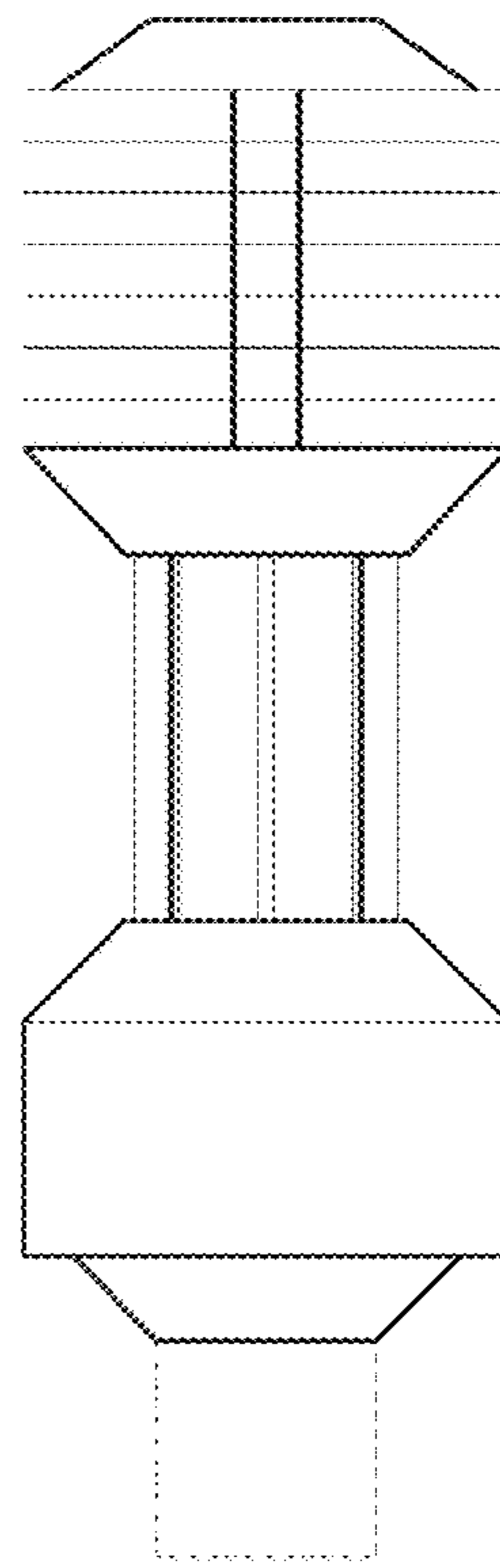


Fig.5

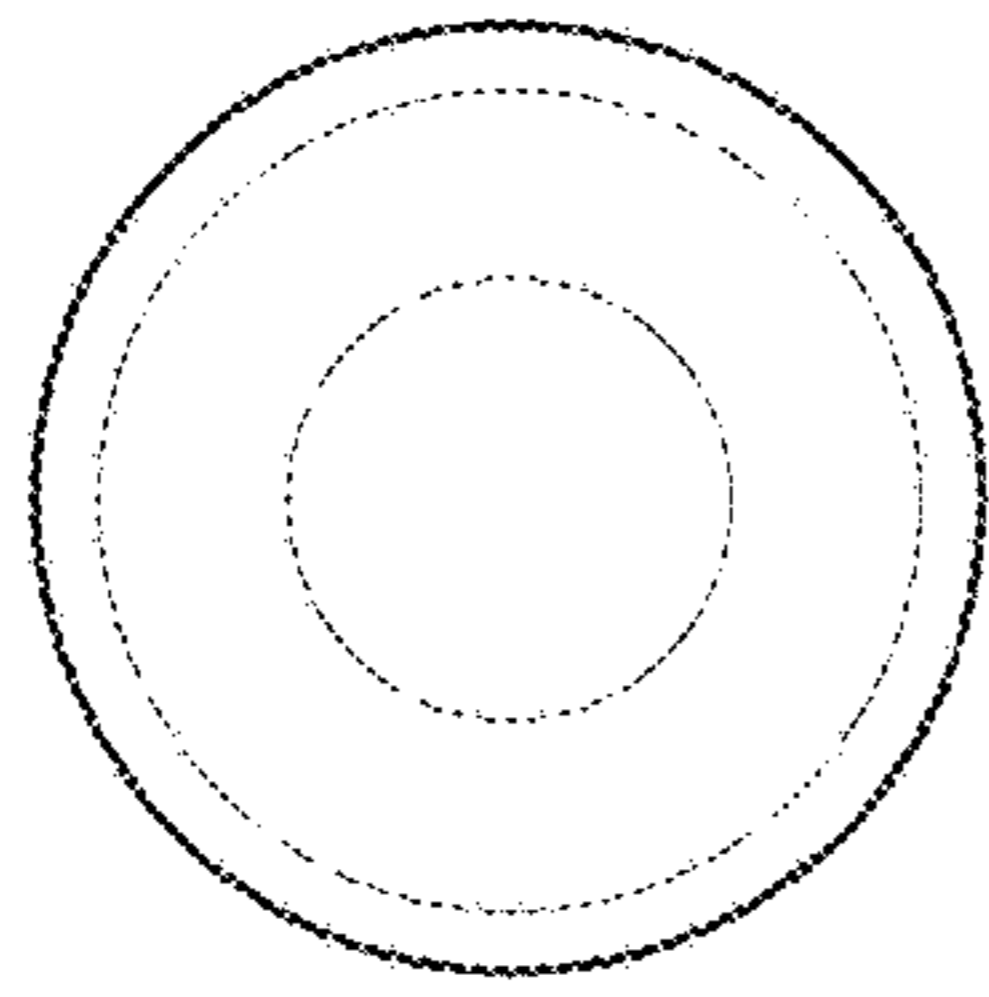


Fig.6

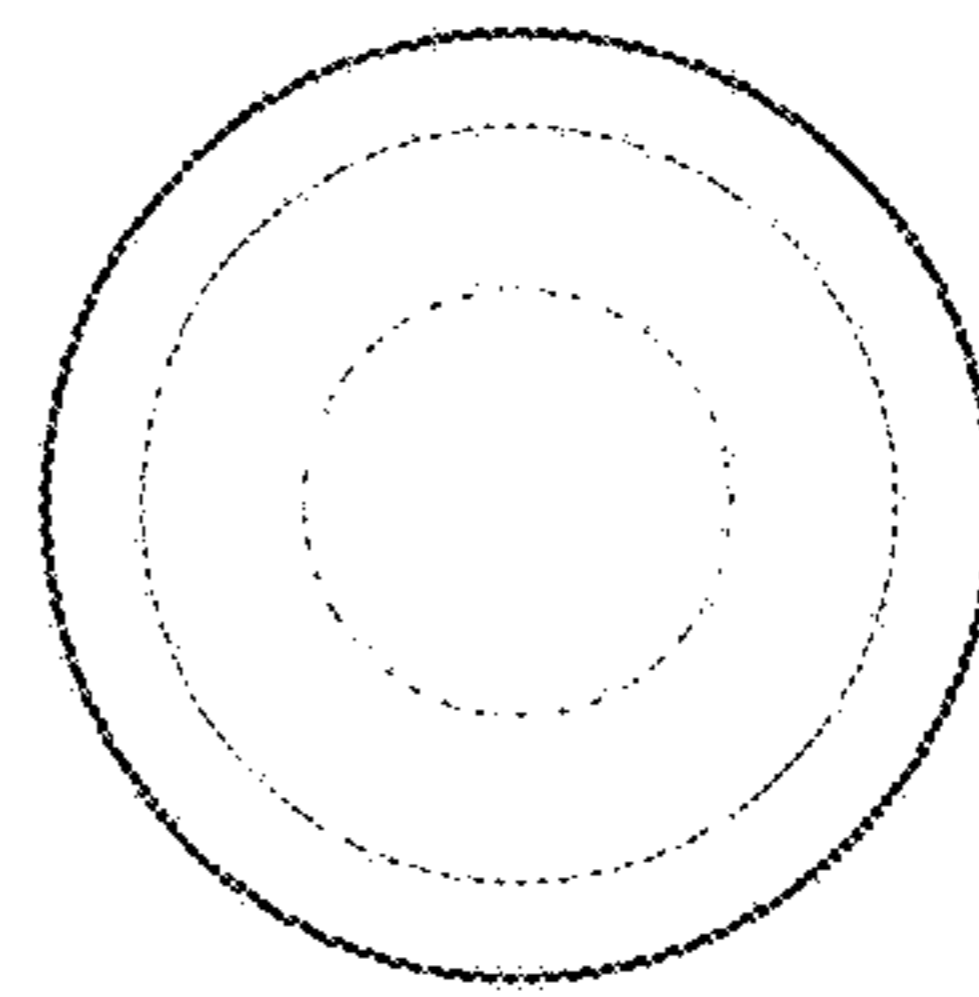


Fig.7