



US00D854713S

(12) **United States Design Patent** (10) **Patent No.:** **US D854,713 S**  
**Liu et al.** (45) **Date of Patent:** **\*\* Jul. 23, 2019**

(54) **LIGHT EMITTING DIODE**

(56) **References Cited**

(71) Applicant: **EPISTAR CORPORATION**, Hsinchu (TW)

U.S. PATENT DOCUMENTS

(72) Inventors: **Chun-Hung Liu**, Hsinchu (TW);  
**Ming-Chi Hsu**, Hsinchu (TW)

D508,573 S \* 8/2005 Matsui ..... D26/1  
D636,900 S \* 4/2011 Chou ..... D26/1

(73) Assignee: **EPISTAR CORPORATION**, Hsinchu (TW)

\* cited by examiner

(\*\*) Term: **15 Years**

*Primary Examiner* — Marcus A Jackson  
(74) *Attorney, Agent, or Firm* — Muncy, Geissler, Olds & Lowe, P.C.

(21) Appl. No.: **29/607,241**

(57) **CLAIM**

(22) Filed: **Jun. 12, 2017**

The ornamental design for a light-emitting diode, as shown and described.

(30) **Foreign Application Priority Data**

May 15, 2017 (TW) ..... 106302638

(51) **LOC (11) Cl.** ..... **26-04**

(52) **U.S. Cl.**  
USPC ..... **D26/1**

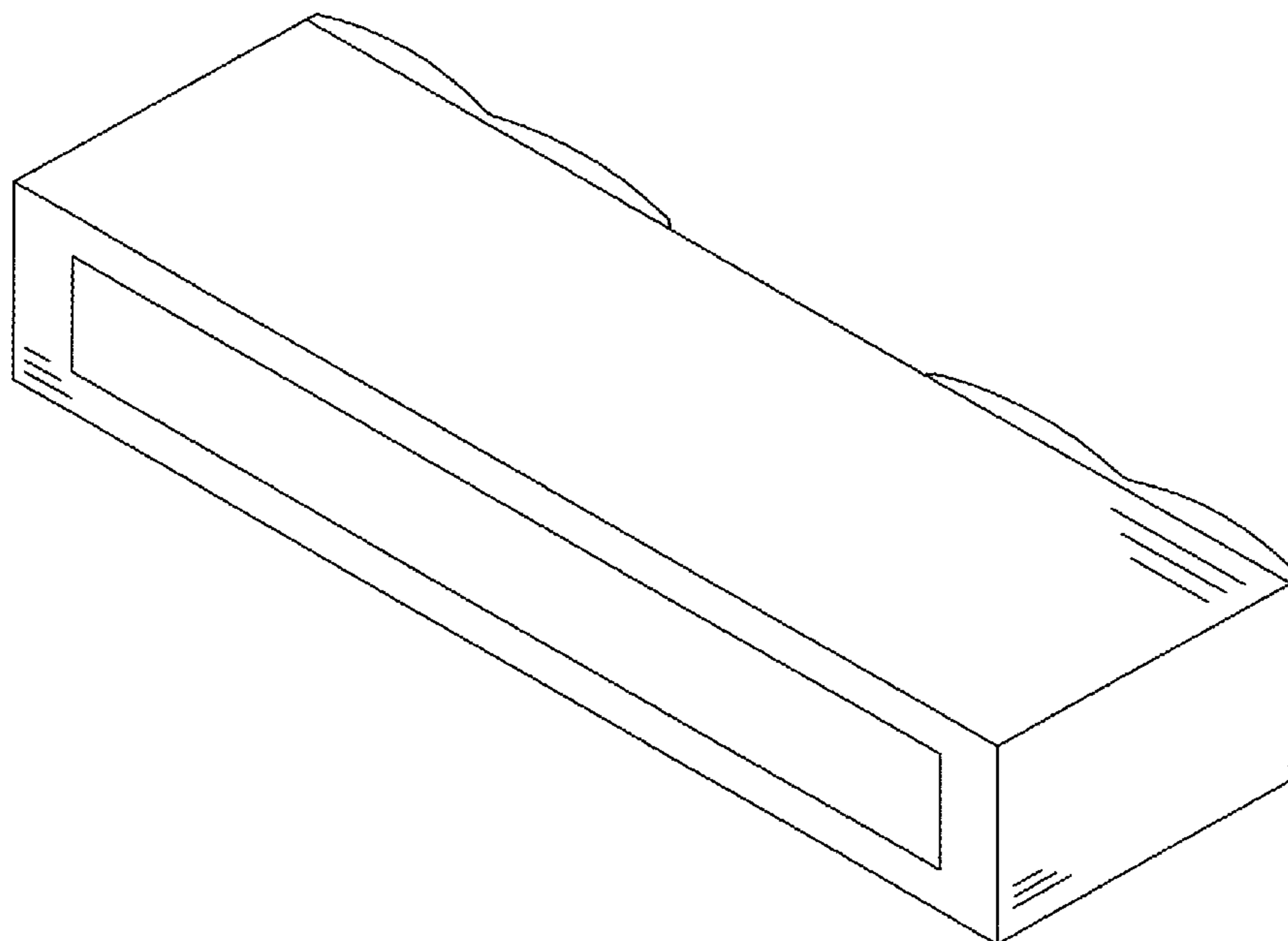
(58) **Field of Classification Search**  
USPC ..... D26/1-4; D13/180  
CPC ..... H01J 5/00; H01J 5/16; H01J 1/02; H01J 15/00; H01J 5/48; H01J 5/50; H01J 19/54; H01R 5/00; H01R 13/46; H01R 13/514; H01R 31/048; H01R 31/02; F21V 5/00; F21V 13/00; F21V 29/004; F21K 9/13; F21K 9/135; F21K 9/1375

See application file for complete search history.

**DESCRIPTION**

FIG. 1 is a top, front, right perspective view of a light-emitting diode showing our new design;  
FIG. 2 is a bottom, rear, left perspective view thereof;  
FIG. 3 is a front elevational view thereof;  
FIG. 4 is a rear elevational view thereof;  
FIG. 5 is a left side view thereof;  
FIG. 6 is a right side view thereof;  
FIG. 7 is a top plan view thereof; and,  
FIG. 8 is a bottom plan view thereof.

**1 Claim, 5 Drawing Sheets**



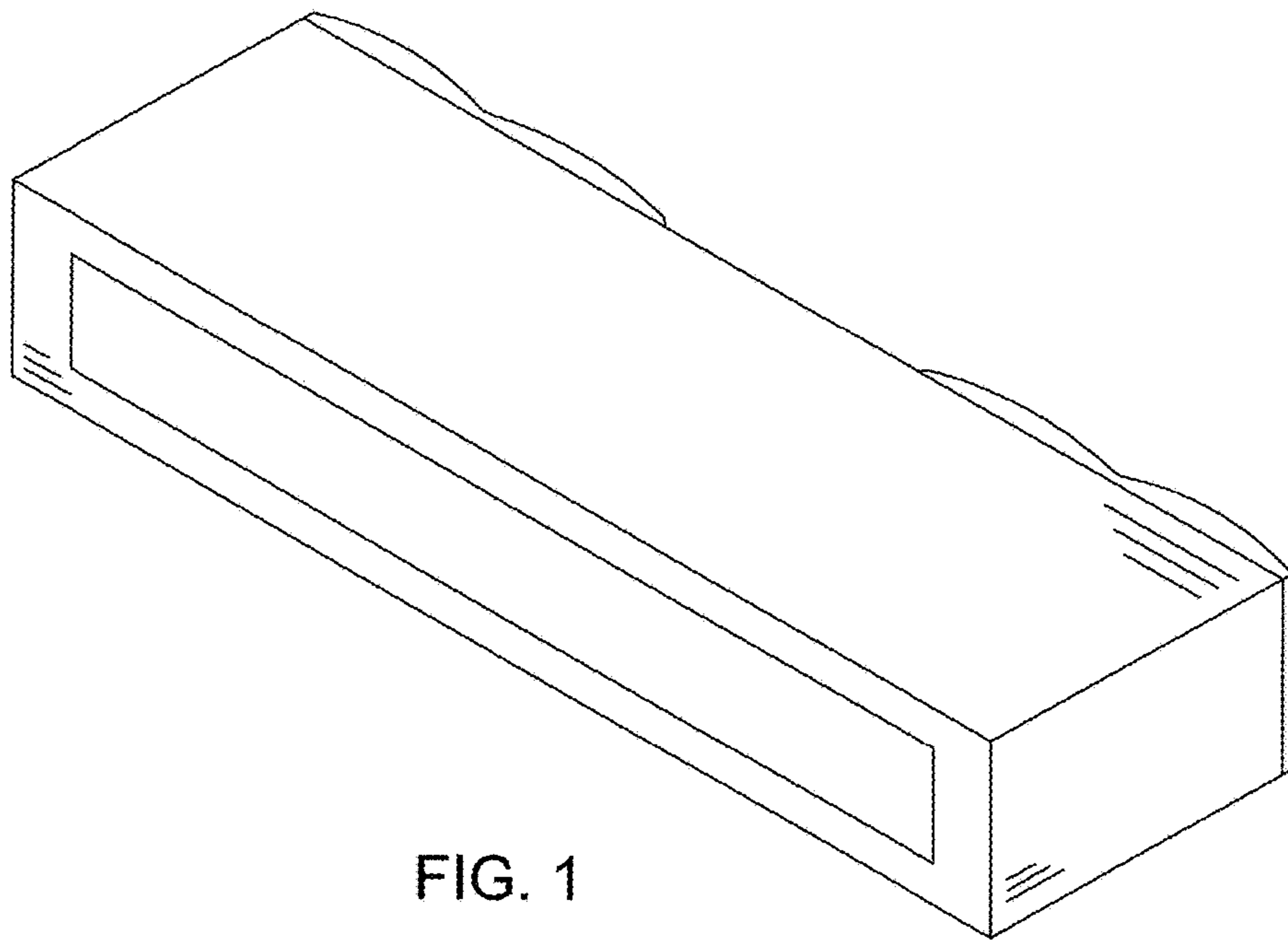


FIG. 1

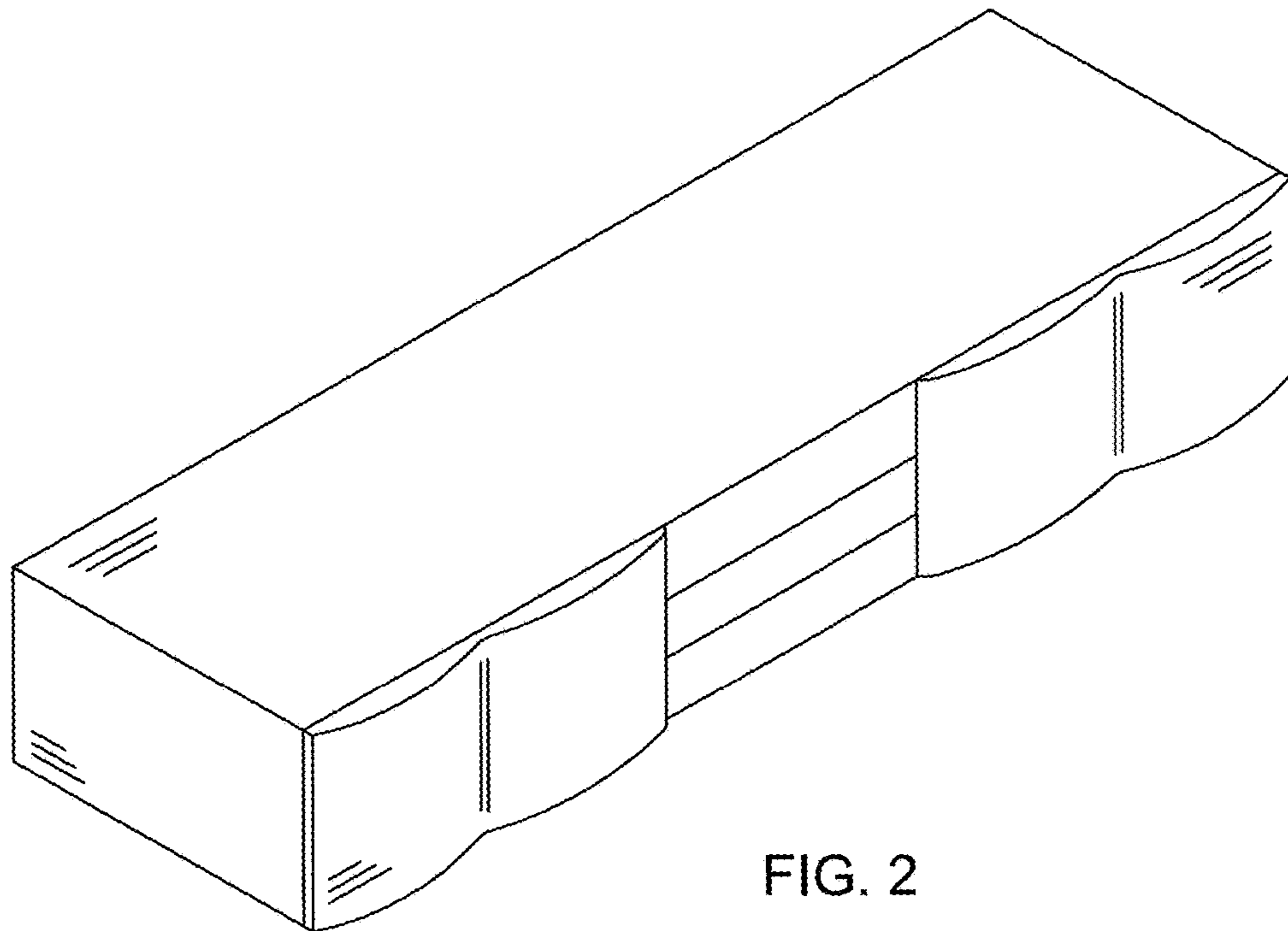


FIG. 2

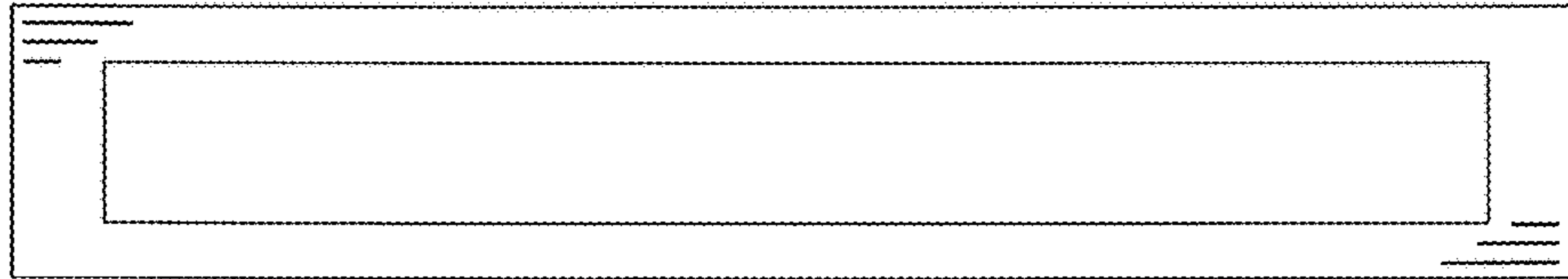


FIG. 3

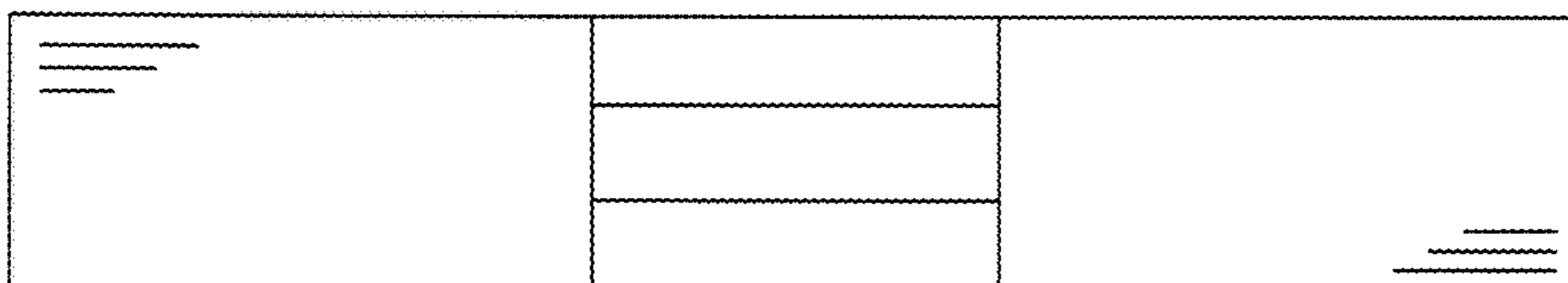


FIG. 4

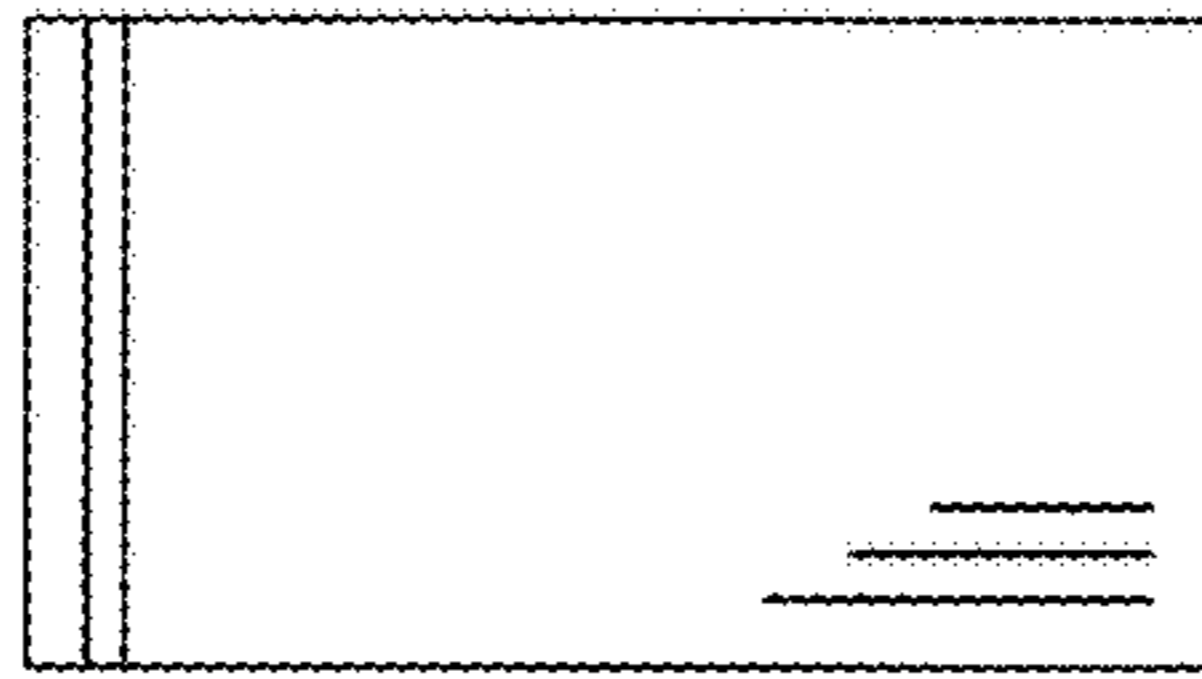


FIG. 5

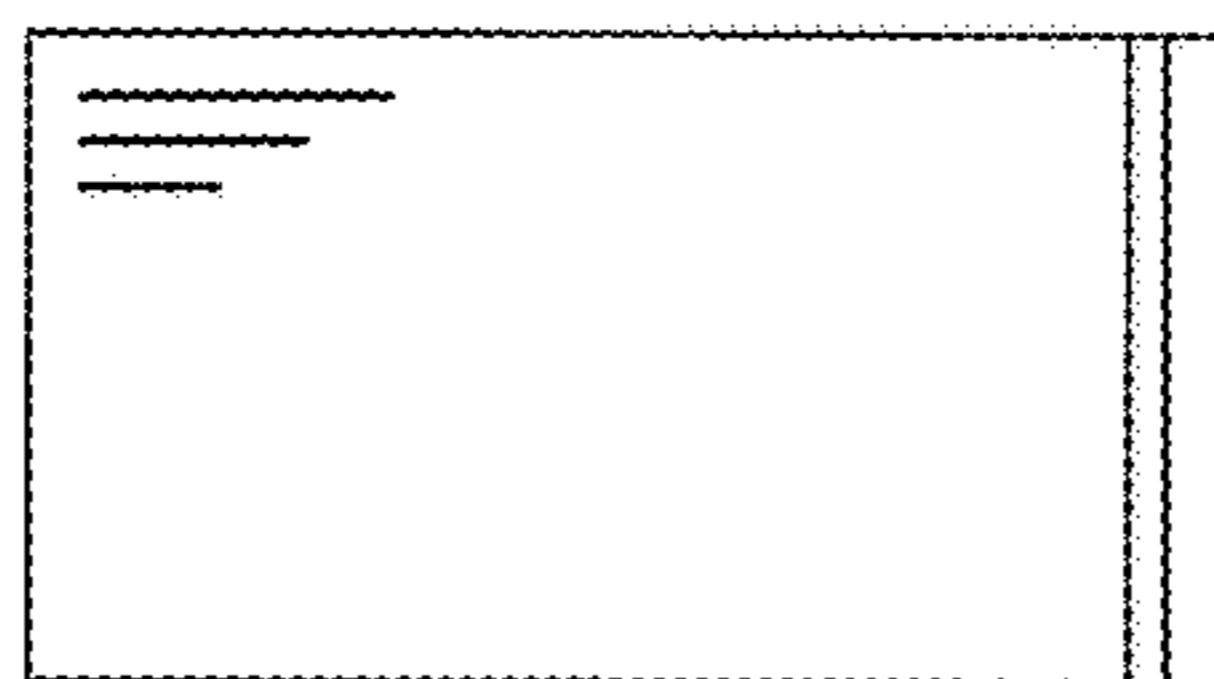


FIG. 6

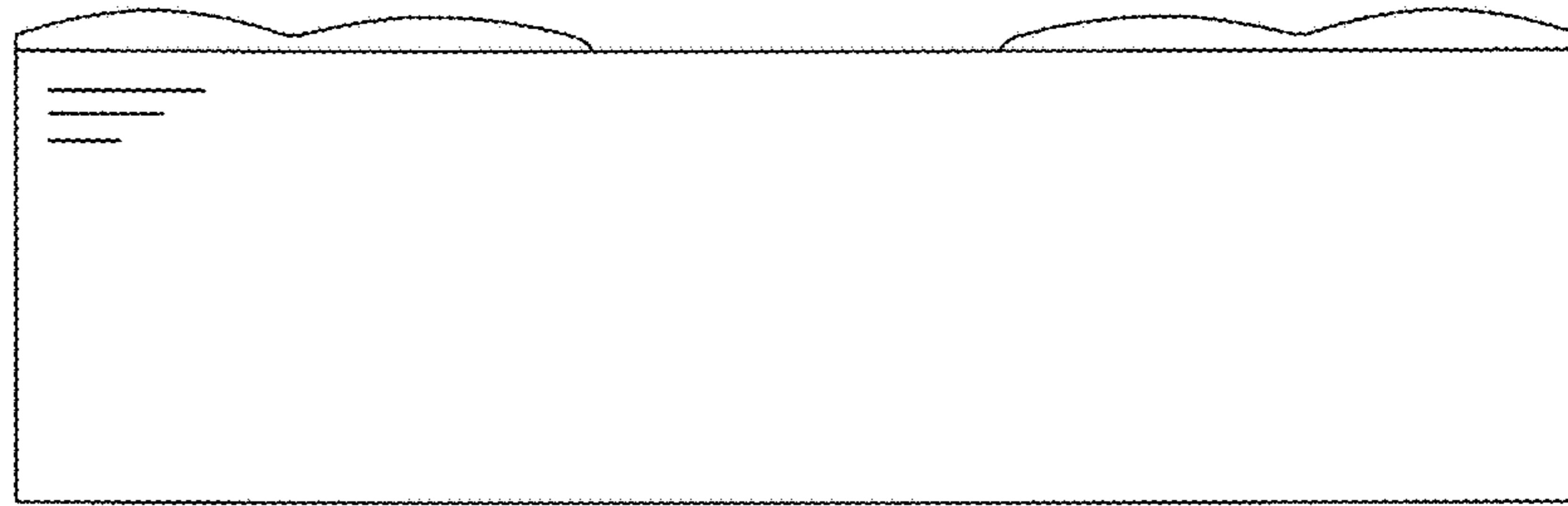


FIG. 7

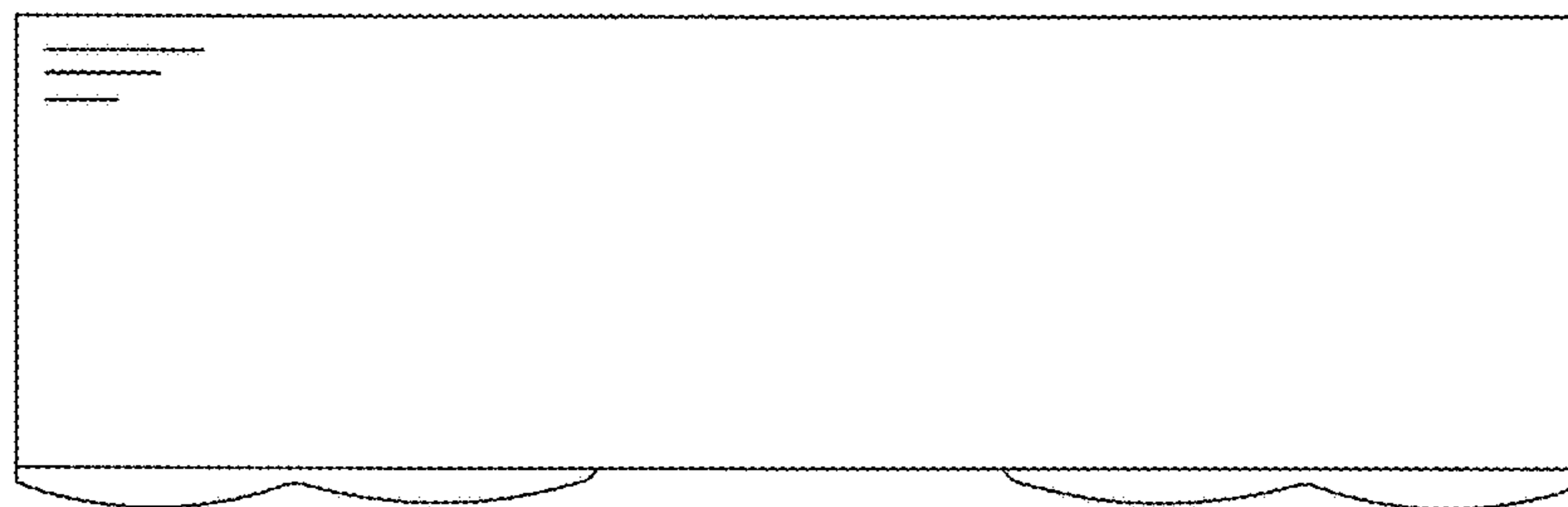


FIG. 8