



US00D854712S

(12) **United States Design Patent**
Thuma et al.

(10) **Patent No.:** **US D854,712 S**
(45) **Date of Patent:** **** Jul. 23, 2019**

(54) **LAWN EDGING**

(71) Applicant: **Suncast Technologies, LLC**, Palm Beach Gardens, FL (US)

(72) Inventors: **Michael Thuma**, La Grange, IL (US); **Torrence Anderson**, Overland Park, KS (US); **Michael R. Vogler**, Oswego, IL (US)

(73) Assignee: **Suncast Technologies, LLC**, Palm Beach Gardens, FL (US)

(**) Term: **15 Years**

(21) Appl. No.: **29/611,487**

(22) Filed: **Jul. 21, 2017**

(51) **LOC (11) Cl.** **25-01**

(52) **U.S. Cl.**
USPC **D25/164**

(58) **Field of Classification Search**
USPC D25/136, 137, 164, 199
CPC ... Y10S 30/05; A47G 27/045; A47G 27/0456;
A47G 27/0462; E02D 5/80; E02D 5/805;
E06B 1/00
See application file for complete search history.

(56) **References Cited**

U.S. PATENT DOCUMENTS

1,139,515 A * 5/1915 Haas A01G 9/28
D25/136
5,414,956 A * 5/1995 Kheradpir A01G 9/28
47/33
5,426,888 A * 6/1995 Gnaedig A01G 9/28
47/33

D378,857 S * 4/1997 Hale D25/164
D416,096 S * 11/1999 Tisbo D25/164
D426,322 S * 6/2000 Anderson D25/164
D453,578 S * 2/2002 Olson D25/164
D541,952 S * 5/2007 Keeley D25/119
D595,429 S * 6/2009 Orton D25/119
D615,673 S * 5/2010 Flynn D25/164
D840,058 S * 2/2019 Amrine D25/164
2018/0298577 A1* 10/2018 Morey A01G 9/28

* cited by examiner

Primary Examiner — Cynthia Ramirez

Assistant Examiner — L. Martinez

(74) *Attorney, Agent, or Firm* — McHale & Slavin, P.A.

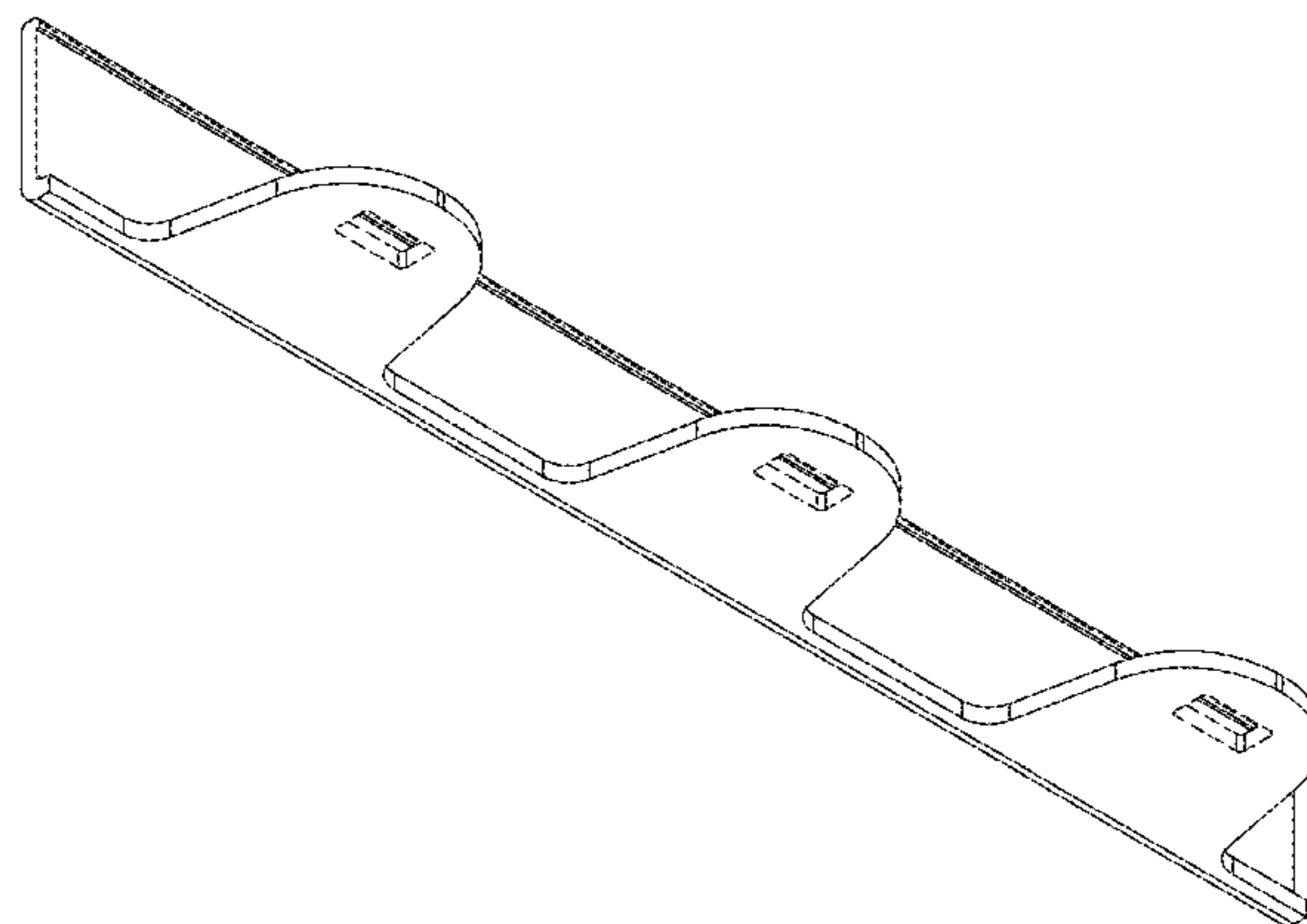
(57) **CLAIM**

The ornamental design for a lawn edging, as shown and described.

DESCRIPTION

FIG. 1 is a front top right perspective view of the lawn edging of the present invention;
FIG. 2 is a front view thereof;
FIG. 3 is a rear view thereof;
FIG. 4 is a left side view thereof;
FIG. 5 is a right side view thereof;
FIG. 6 is a bottom view thereof;
FIG. 7 is a top view thereof;
FIG. 8 is a rear top right perspective view thereof;
FIG. 9 is a rear bottom right perspective view thereof; and,
FIG. 10 is a front bottom left perspective view thereof.
The portions of the lawn edging illustrated in broken lines form no part of the claimed lawn edging design.

1 Claim, 9 Drawing Sheets



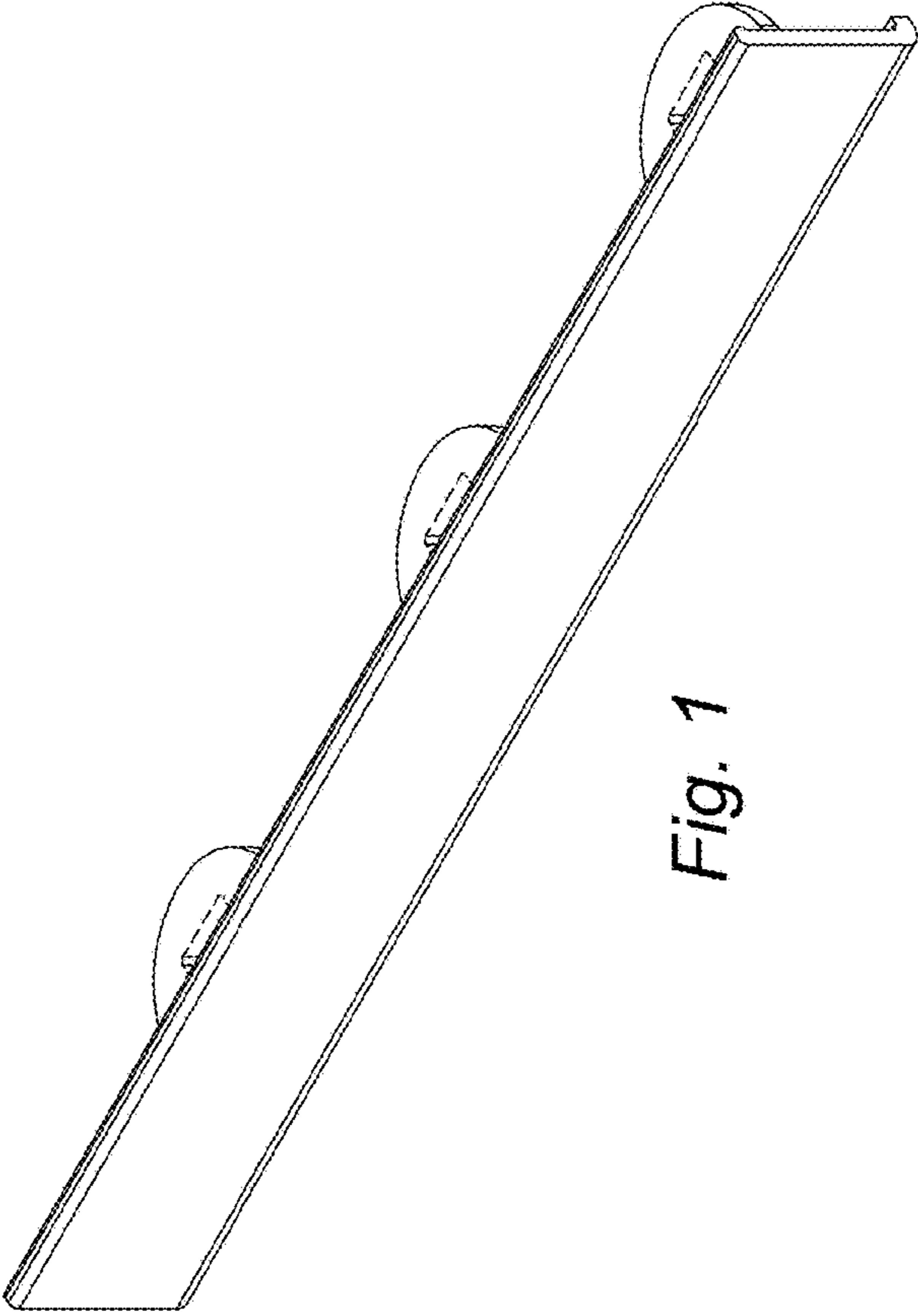


Fig. 1

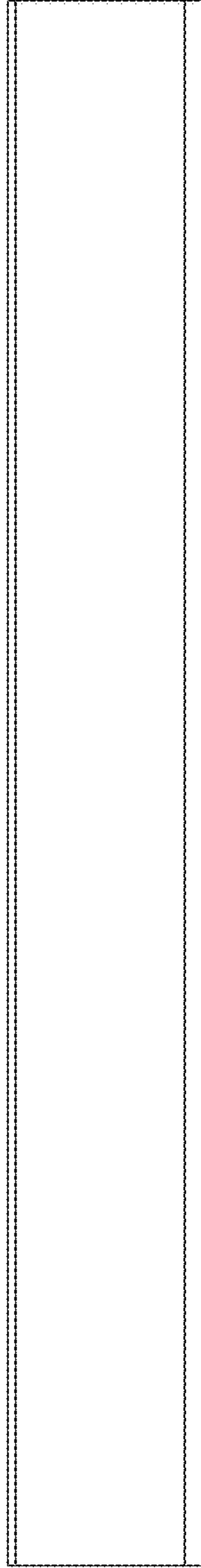


Fig. 2

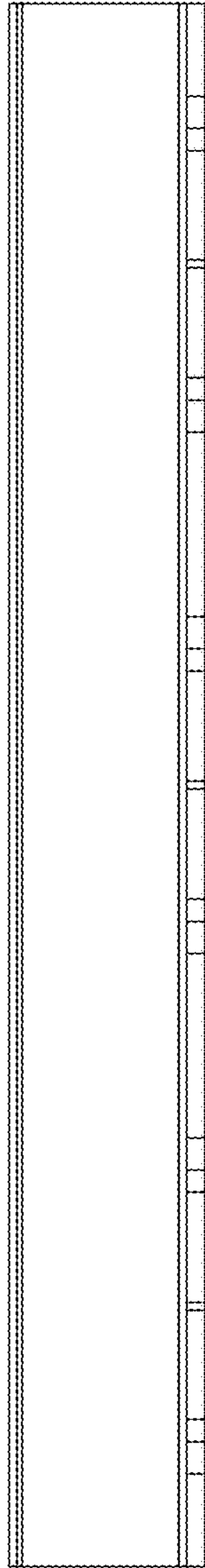


Fig. 3

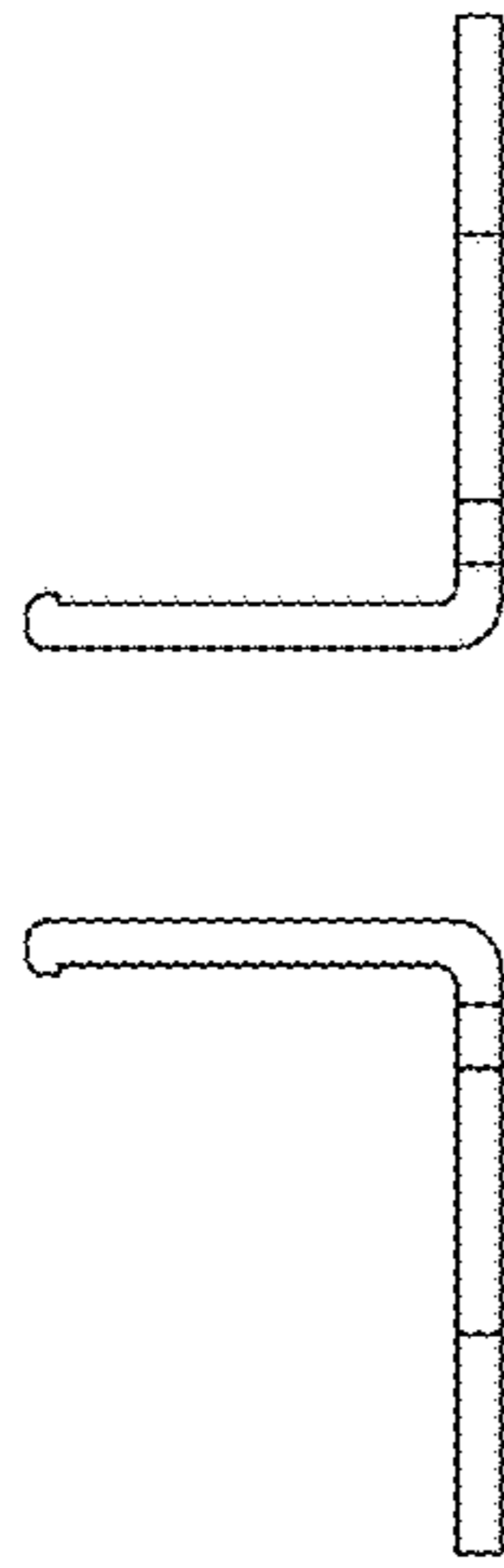


Fig. 4 Fig. 5

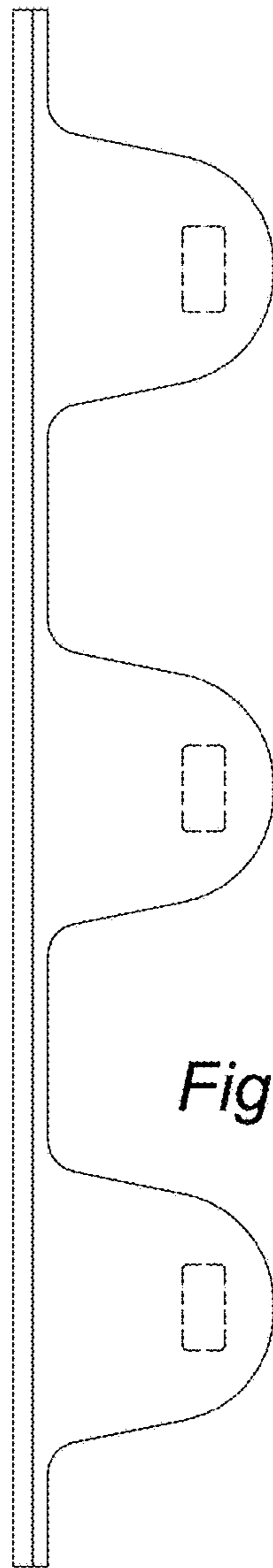


Fig. 6

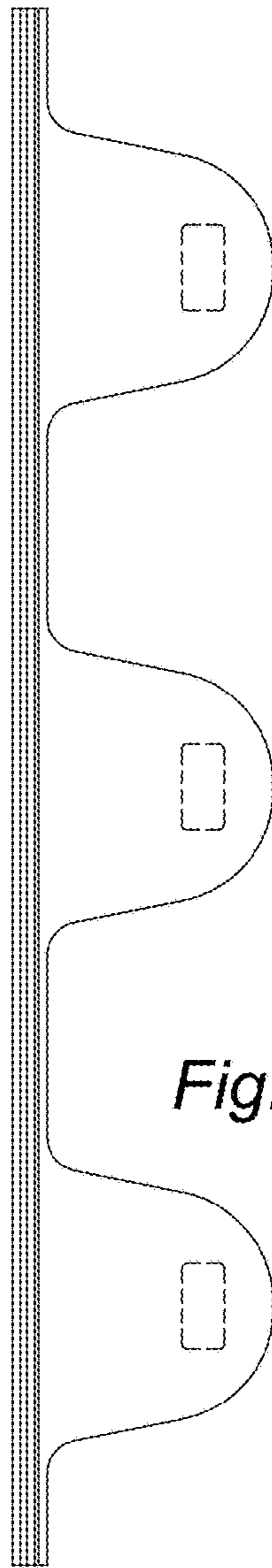


Fig. 7

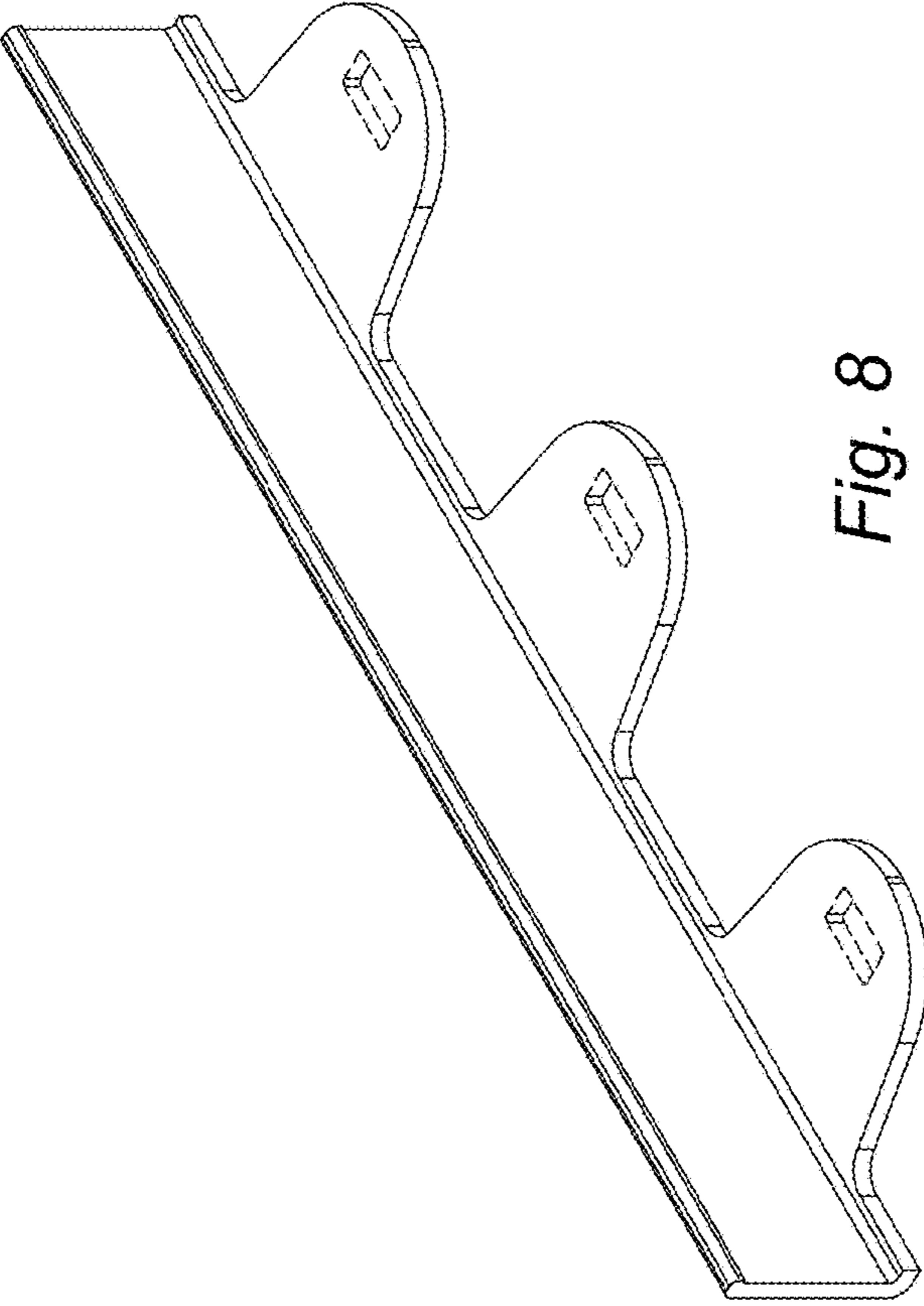


Fig. 8

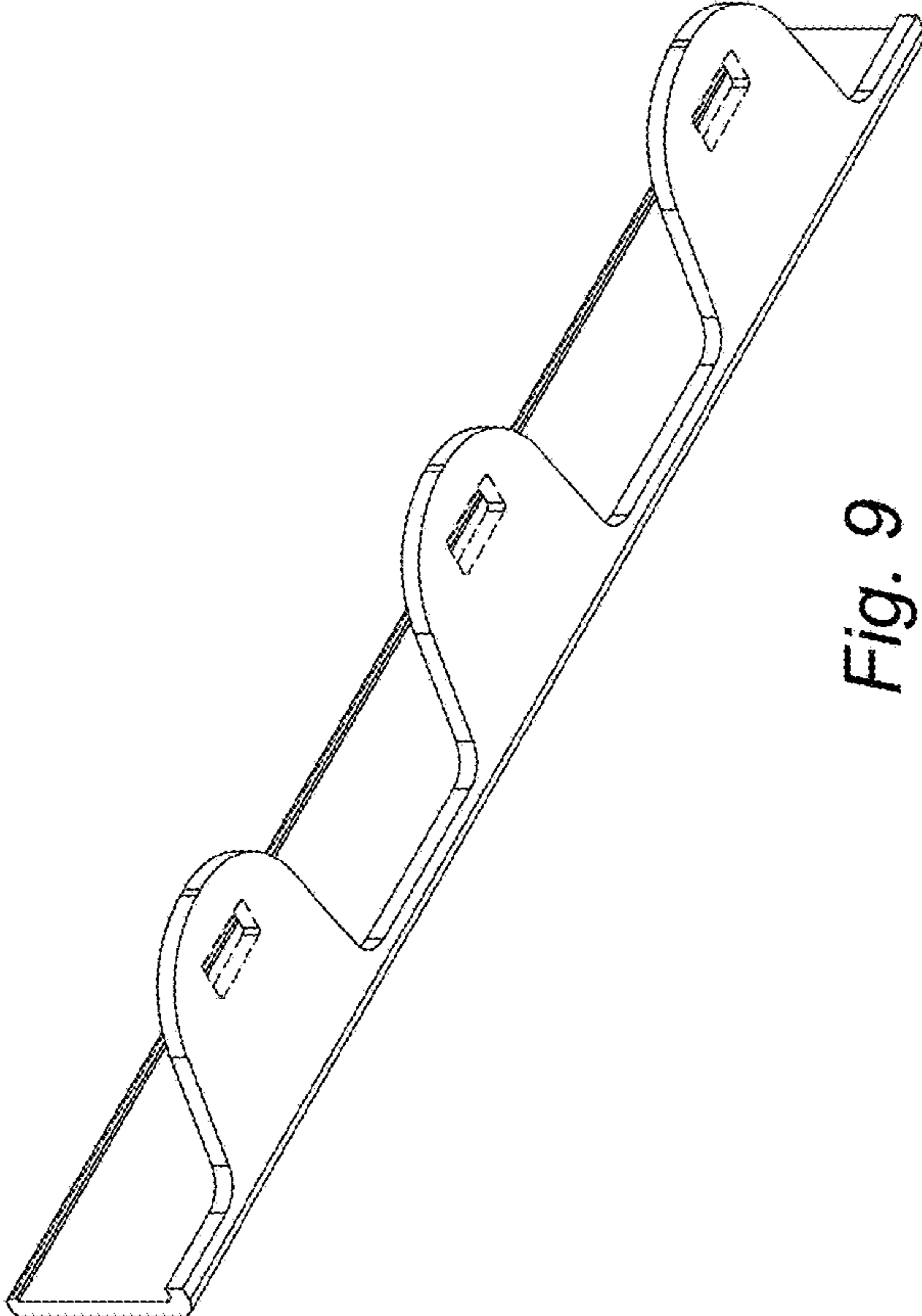


Fig. 9

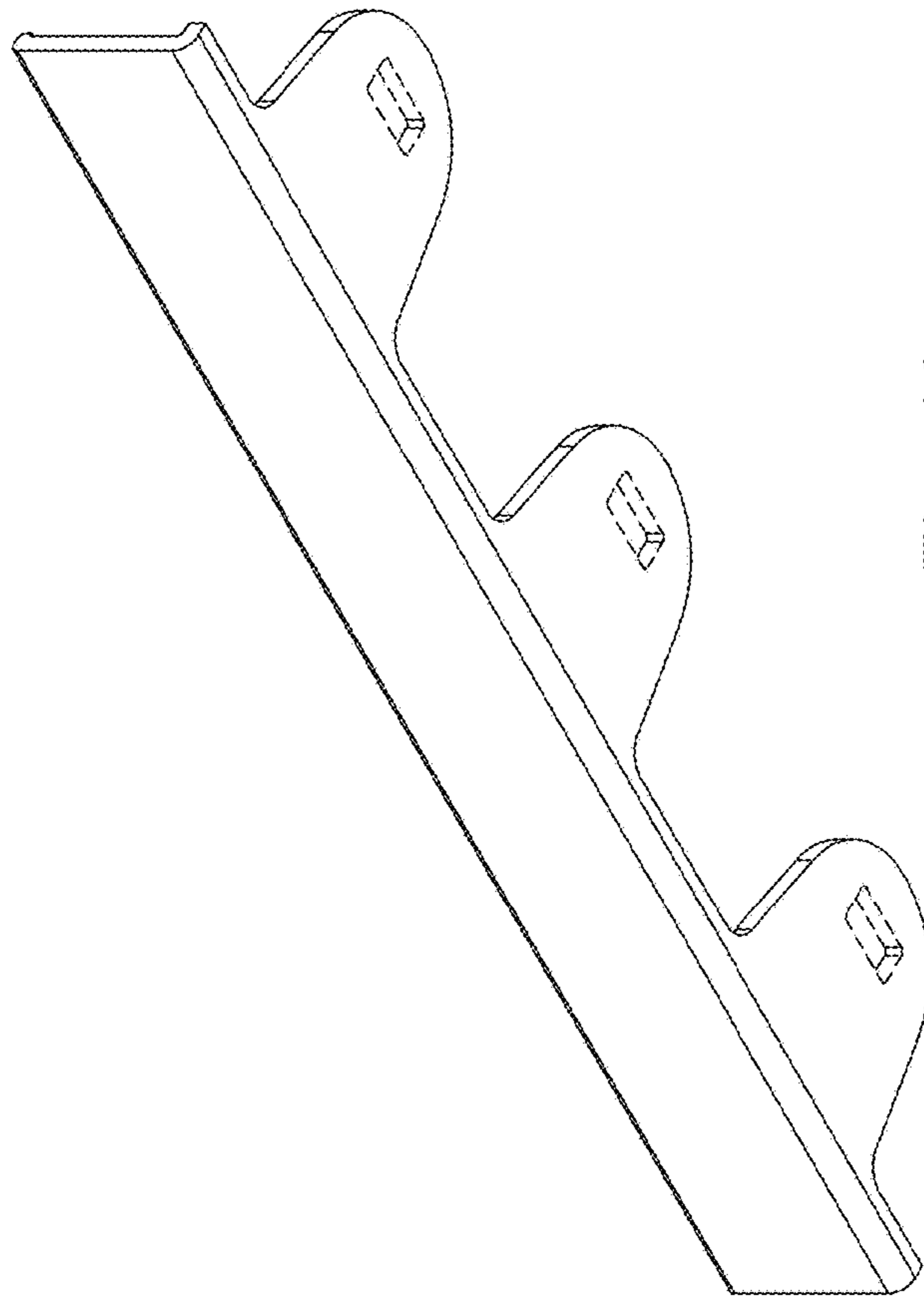


Fig. 10