



US00D854710S

(12) **United States Design Patent** (10) **Patent No.:** **US D854,710 S**
Hendry (45) **Date of Patent:** **** Jul. 23, 2019**

(54) **STRUCTURAL POST FOR A SCREEN ENCLOSURE**

FOREIGN PATENT DOCUMENTS

(71) Applicant: **Thomas G. Hendry**, Lehigh Acres, FL (US)

CH 452154 5/1968
DE 4112181 10/1992
(Continued)

(72) Inventor: **Thomas G. Hendry**, Lehigh Acres, FL (US)

OTHER PUBLICATIONS

(**) Term: **15 Years**

Screened Wall Systems <http://www.screen-house.com/screenroom_three_season_walls.htm> Jul. 18, 2017/ (Year: 2017).*
(Continued)

(21) Appl. No.: **29/585,762**

(22) Filed: **Nov. 29, 2016**

Primary Examiner — Cathron C Brooks
Assistant Examiner — Samantha Q Lawrence
(74) *Attorney, Agent, or Firm* — Hanrahan Law Firm, P.A.; Benjamin M. Hanrahan

Related U.S. Application Data

(57) **CLAIM**

(63) Continuation-in-part of application No. 15/211,898, filed on Jul. 15, 2016, now Pat. No. 9,605,425, which is a continuation-in-part of application No. 14/660,673, filed on Mar. 17, 2015, now Pat. No. 9,422,711.

The ornamental design for a structural post for a screen enclosure, as shown and described.

(51) **LOC (11) Cl.** **25-01**
(52) **U.S. Cl.**
USPC **D25/126**

DESCRIPTION

(58) **Field of Classification Search**
USPC D25/119, 126, 127, 128, 129, 130, 131, D25/132, 133, 134, 135, 42, 48.7, 48.8, D25/55, 56, 57, 58, 61, 66; 52/633, 52/656.7, 149, 345, 831, 832, 833, 834, 52/835; 248/228.1, 214, 218.4, 219.1,
(Continued)

FIG. 1 is a perspective view illustrating my design for a structural post for a screen enclosure.
FIG. 2 is a top end view thereof.
FIG. 3 is a bottom end view thereof.
FIG. 4 is a front view thereof.
FIG. 5 is a right side view thereof.
FIG. 6 is a rear view thereof.
FIG. 7 is a left side view thereof; and,
FIG. 8 is another perspective view with environmental subject matter.

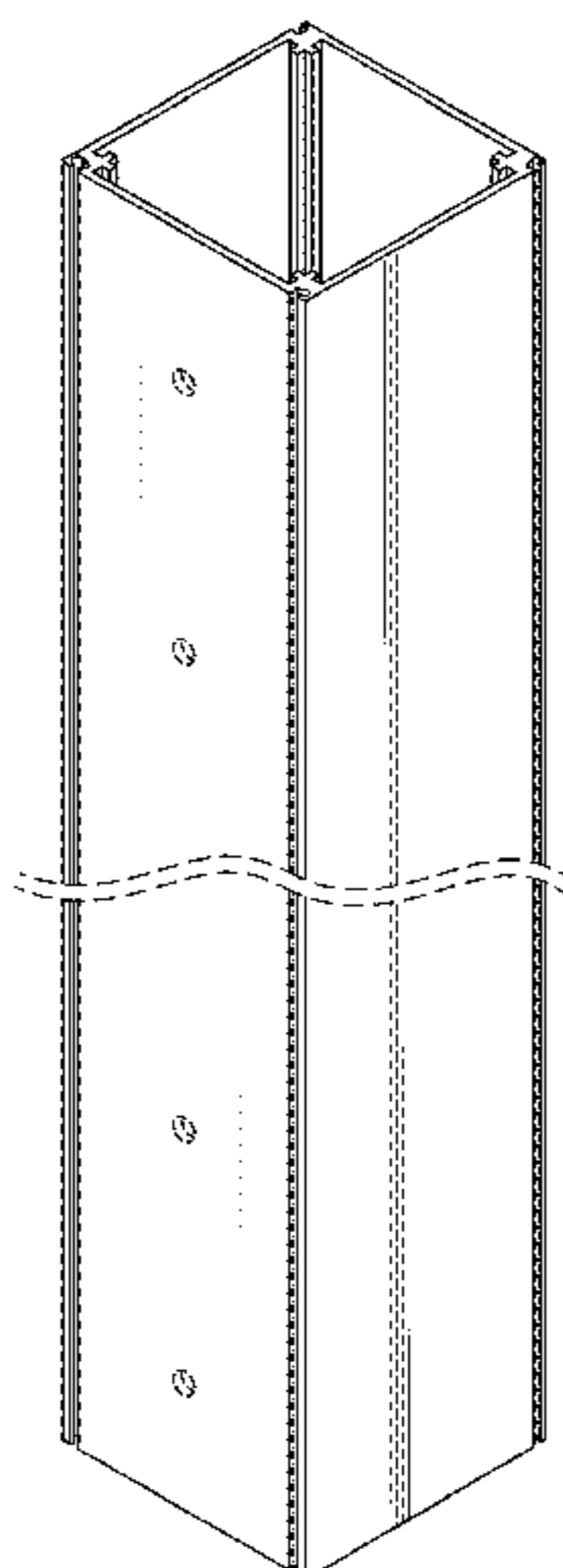
(56) **References Cited**

U.S. PATENT DOCUMENTS

742,549 A * 10/1903 Zeh et al. 29/897.35
1,430,809 A 10/1922 Ilseng
(Continued)

The broken lines representing circular holes shown in FIGS. 1, 4, 6, and 8 illustrate portions of the structural post for a screen enclosure that form no part of the claimed design. The additional broken lines shown in FIG. 8 represent environment. The break lines shown in the center of the beam indicate a symbolic break in length. The appearance of any portion of the article between the break lines forms no part of the claimed design.

1 Claim, 5 Drawing Sheets



(58) **Field of Classification Search**
 USPC 248/219.2, 219.3, 220.21, 220.22;
 403/292, 294, 295, 170, 178, 205, 217
 CPC E04H 12/24; E04H 15/34; E04H 17/1421;
 E04H 12/2223; E04H 12/2261; E04H
 12/2284; E02D 2200/115; E02D 2600/30;
 E02D 27/42; E04B 2/7854
 See application file for complete search history.

(56) **References Cited**

U.S. PATENT DOCUMENTS

2,101,349 A 12/1937 Sharp
 2,632,535 A 3/1953 Edouard
 2,776,735 A 1/1957 Bancroft
 2,918,153 A 12/1959 Hammitt et al.
 3,222,841 A 12/1965 Lipof
 3,246,433 A 4/1966 Erikson
 3,255,769 A 6/1966 Lloyd
 3,304,108 A 2/1967 Hamilton et al.
 3,354,891 A 11/1967 Brown
 3,532,369 A 10/1970 Reilly
 3,561,801 A 2/1971 Chiu
 3,620,558 A 11/1971 MacMillan
 3,645,569 A 2/1972 Reilly
 3,656,515 A * 4/1972 Wogerbauer E04C 3/06
 138/171
 3,666,298 A 5/1972 Reilly
 3,726,551 A 4/1973 Levenberg
 3,786,612 A 1/1974 Baker
 3,867,045 A 2/1975 Beals
 3,922,101 A 11/1975 Salmon, Jr. et al.
 3,955,702 A 5/1976 Lundy
 4,076,432 A 2/1978 Glaser
 4,159,758 A 7/1979 Courson
 4,315,386 A 2/1982 Clarke
 4,570,406 A 2/1986 Difazio
 4,570,408 A 2/1986 Frascaroli et al.
 4,718,184 A 1/1988 Sherman
 4,785,591 A 11/1988 Dahlen
 4,831,804 A 5/1989 Sayer
 4,841,688 A 6/1989 Rinaldi
 4,960,343 A 10/1990 Reilly
 5,079,860 A 1/1992 Nugent
 5,144,780 A 9/1992 Gieling et al.
 5,156,484 A 10/1992 Allen
 5,203,135 A * 4/1993 Bastian F16B 7/0413
 403/292
 5,383,723 A 1/1995 Meyer
 5,485,705 A 1/1996 Guillemet
 5,556,218 A 9/1996 Homer
 D376,855 S * 12/1996 Leung D25/119
 5,605,410 A 2/1997 Pantev
 5,864,997 A 2/1999 Kelly
 5,904,437 A 5/1999 Allen
 6,062,761 A 5/2000 Allen
 6,067,760 A 5/2000 Nowell
 6,279,288 B1 8/2001 Keil
 6,279,289 B1 8/2001 Soder et al.
 6,338,226 B1 1/2002 Gauthier et al.
 6,339,891 B1 1/2002 Cox
 D454,962 S 3/2002 Grace
 6,601,362 B1 8/2003 Prince
 6,668,495 B1 12/2003 Prince
 6,755,004 B1 6/2004 Power et al.

6,826,885 B2 12/2004 Raskin et al.
 7,004,667 B2 2/2006 Ludwig et al.
 7,080,492 B1 7/2006 Guiller
 7,155,874 B2 1/2007 Lee
 7,223,044 B2 5/2007 Quintile
 7,568,323 B2 8/2009 Shelton et al.
 D600,831 S * 9/2009 Munakata D25/126
 D603,065 S 10/2009 Hamilton et al.
 7,628,563 B2 12/2009 Winkler
 7,677,003 B2 3/2010 Baughn et al.
 D616,114 S * 5/2010 Harder D25/126
 7,832,180 B2 * 11/2010 Dolby E04B 2/96
 52/235
 8,151,533 B2 4/2012 Krieger
 8,585,313 B2 11/2013 Wojotowicz et al.
 8,672,280 B2 3/2014 Suciu et al.
 8,756,900 B1 6/2014 Hudson et al.
 D733,645 S 7/2015 Cai et al.
 9,091,119 B2 7/2015 Kim
 D739,960 S 9/2015 Britton
 9,422,711 B1 * 8/2016 Hendry E04B 1/2403
 D775,741 S * 1/2017 Kashiwagi D25/126
 9,605,425 B1 * 3/2017 Hendry E06B 9/52
 D783,390 S 4/2017 Nelson
 D787,094 S * 5/2017 Britton D25/126
 D815,758 S * 4/2018 Hendry D25/126
 D823,666 S 7/2018 Mcdonald
 D823,667 S 7/2018 Mcdonald
 D823,668 S 7/2018 Mcdonald
 D823,669 S 7/2018 Mcdonald
 D823,670 S 7/2018 Mcdonald
 D826,692 S 8/2018 Mcdonald
 D827,414 S 9/2018 Mcdonald
 D827,416 S 9/2018 Mcdonald
 10,066,384 B1 9/2018 Hendry
 2004/0035082 A1 2/2004 Hudoba et al.
 2005/0193680 A1 9/2005 Wang
 2006/0115324 A1 6/2006 Lenda et al.
 2007/0074480 A1 4/2007 Kleila et al.
 2007/0180786 A1 8/2007 Sotuyo
 2007/0266671 A1 11/2007 Chromy
 2008/0190068 A1 8/2008 Tapscott et al.
 2013/0272777 A1 10/2013 Hayter et al.
 2014/0250821 A1 9/2014 Strickland et al.
 2015/0121788 A1 5/2015 Kim
 2016/0138261 A1 * 5/2016 Zhang E04B 1/40
 52/831
 2017/0321446 A1 * 11/2017 Antinolfi E04F 11/1817
 2018/0094426 A1 4/2018 Winter

FOREIGN PATENT DOCUMENTS

DE 202014103897 10/2014
 EP 1916349 4/2008
 EP 2988007 2/2016
 GB 1009846 11/1965
 WO 9421867 9/1994
 WO 0066896 11/2000
 WO 2012016297 2/2012

OTHER PUBLICATIONS

EZ Screen Room <<https://www.homedepot.com/p/EZ-Screen-Room-8-ft-x-2-in-x-2-in-Aluminum-White-Extrusion-with-Spline-Track-EZSR8PW/202453633>> Jun. 11, 2013 (Year: 2013).*

* cited by examiner

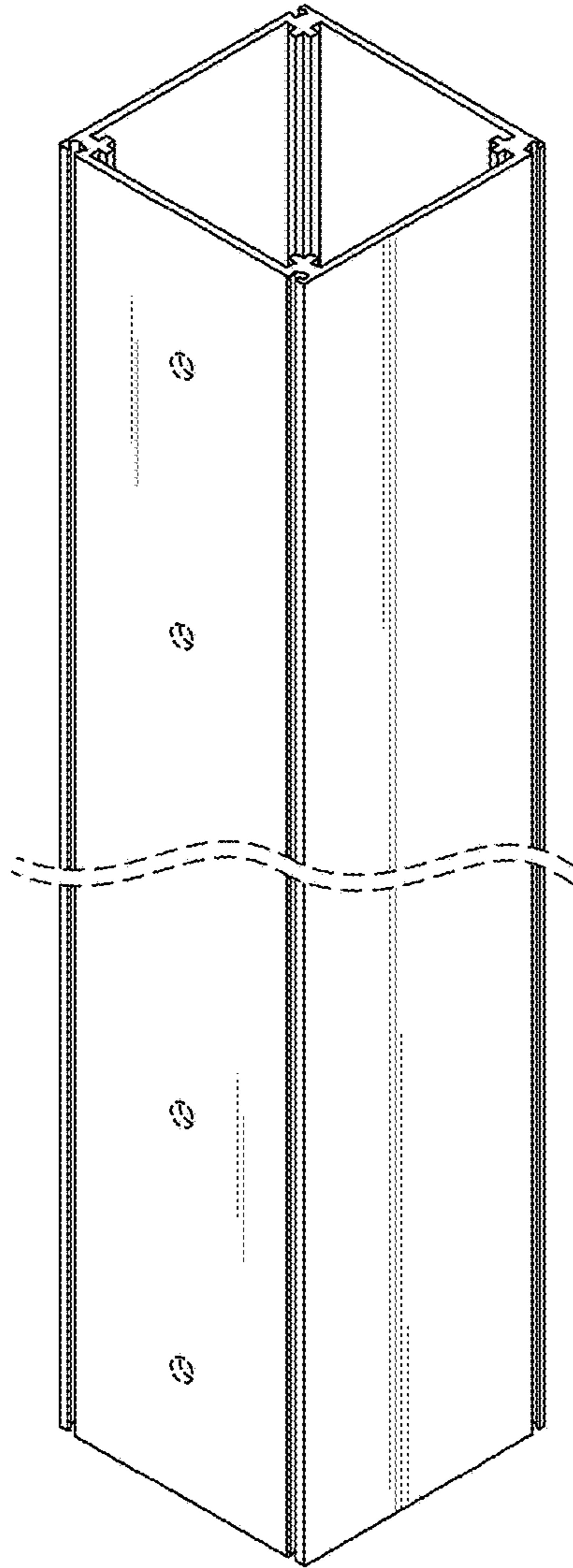


FIG. 1

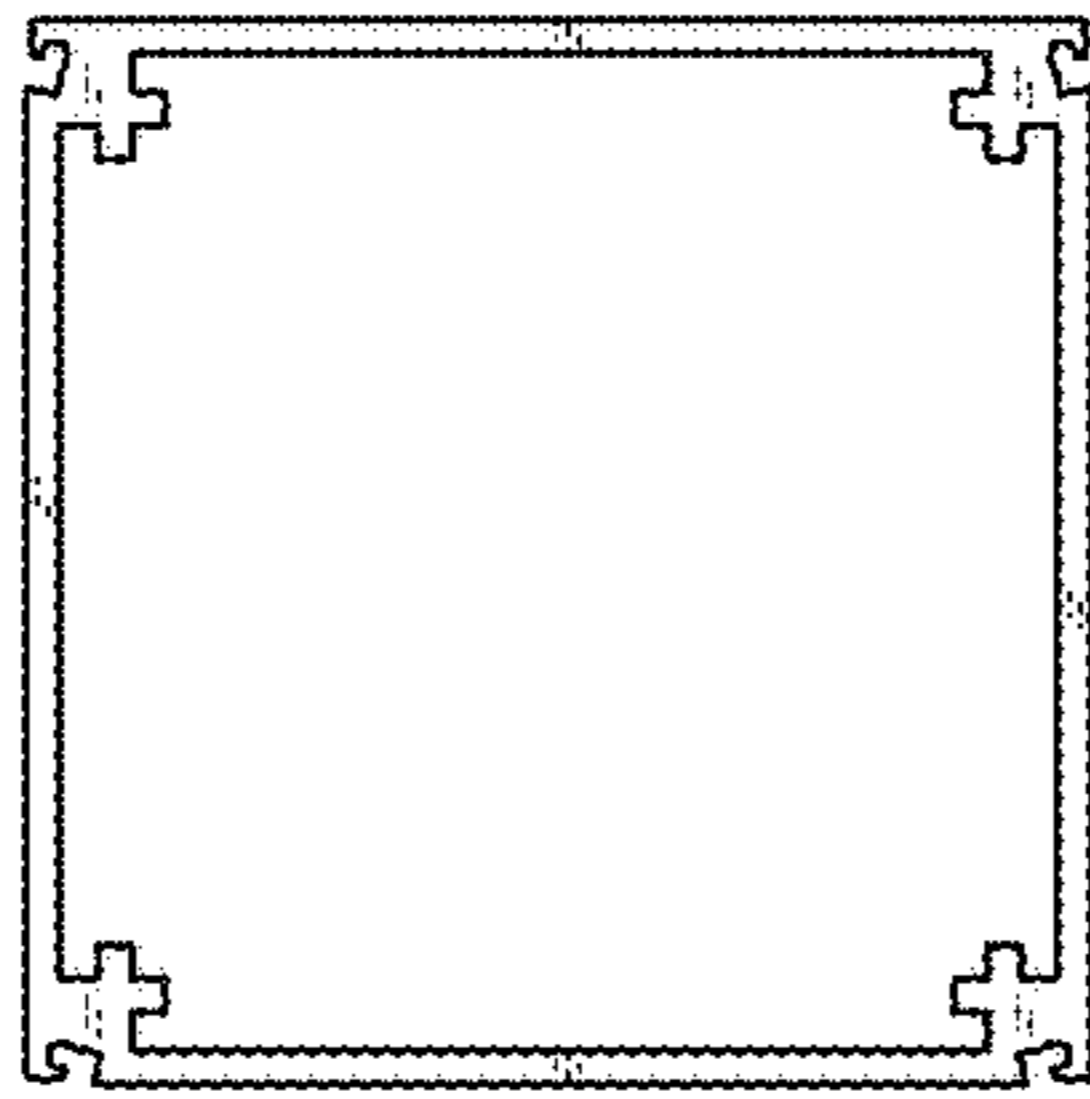


FIG. 2

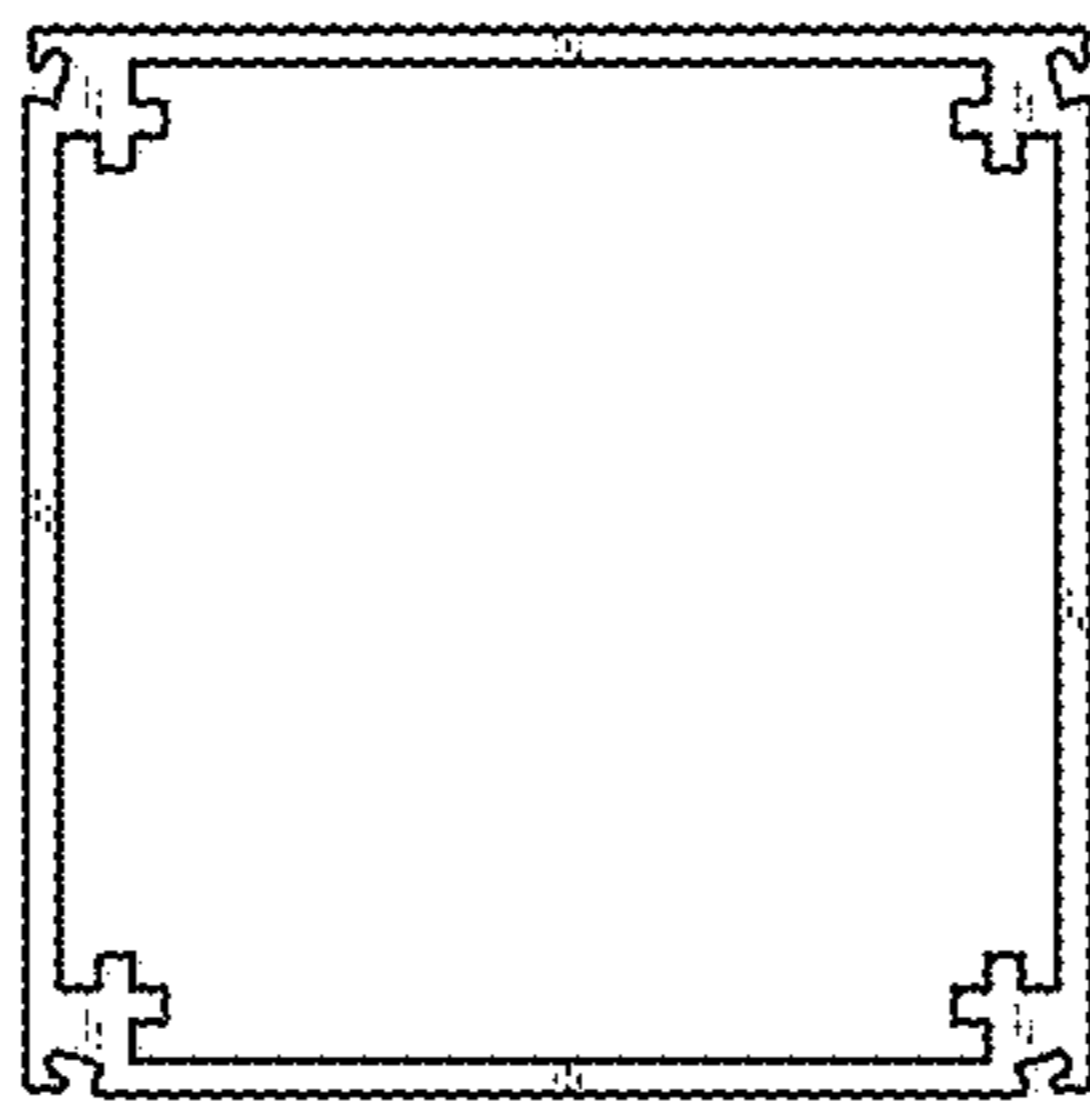


FIG. 3

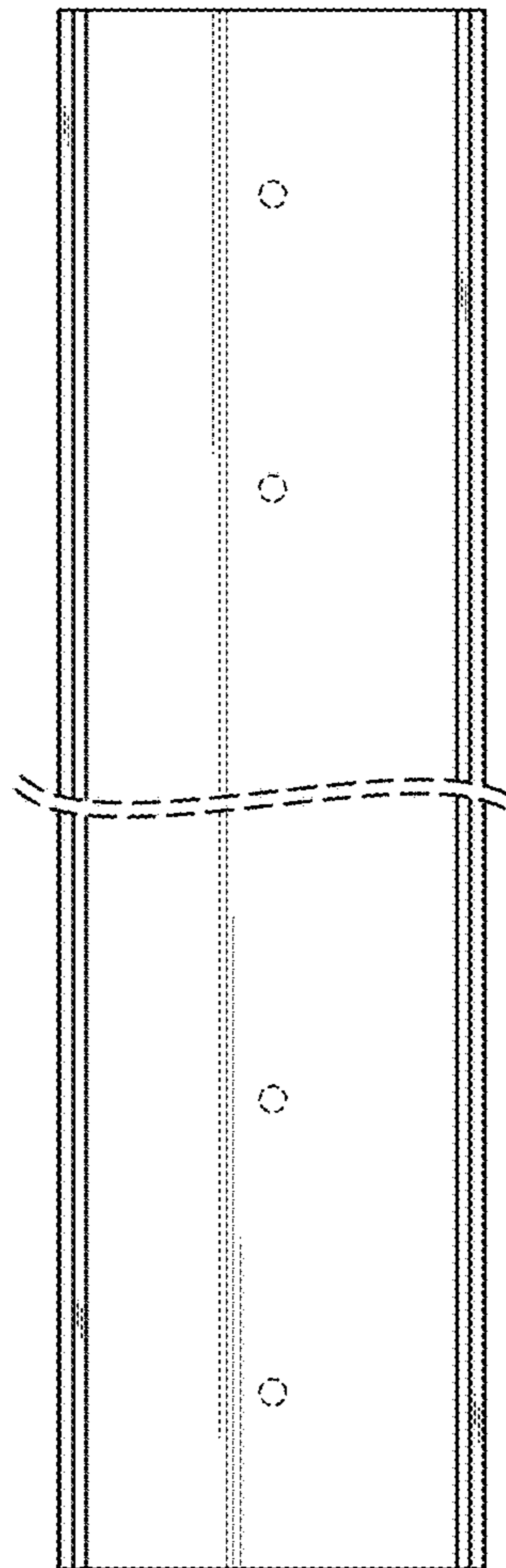


FIG. 4

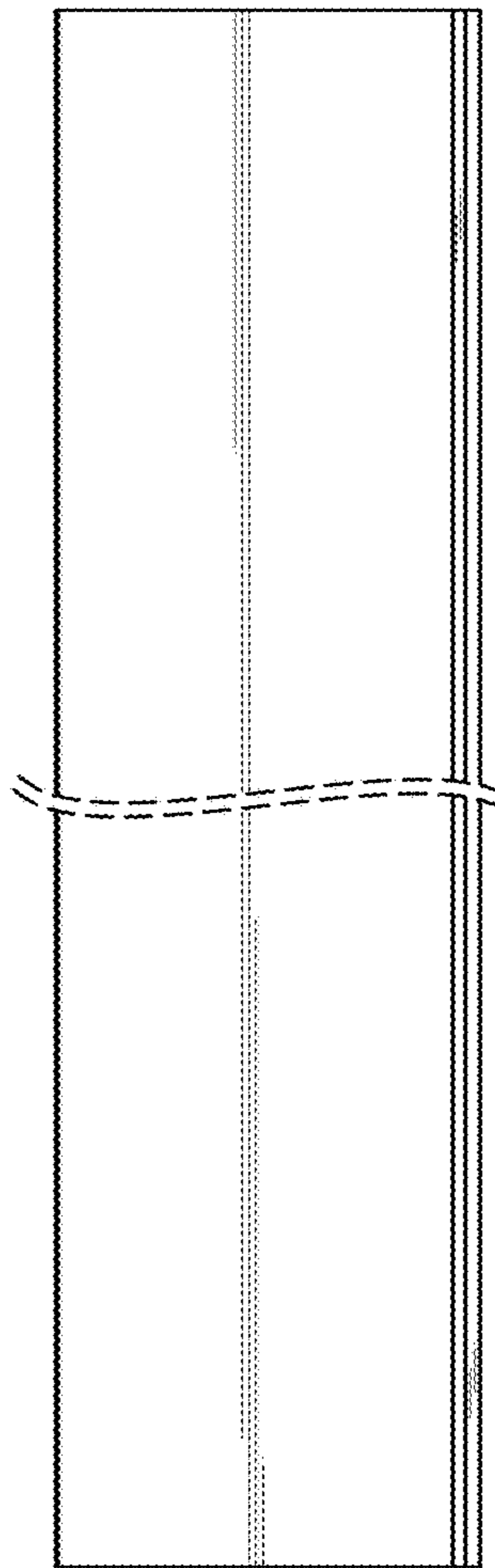


FIG. 5

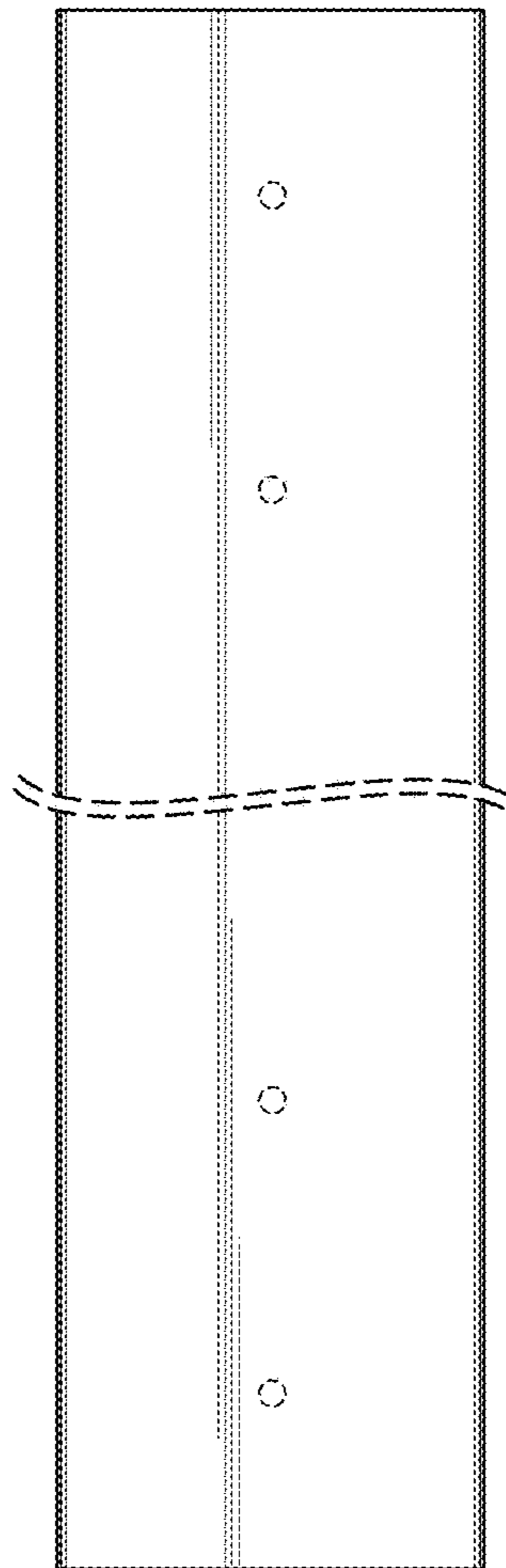


FIG. 6

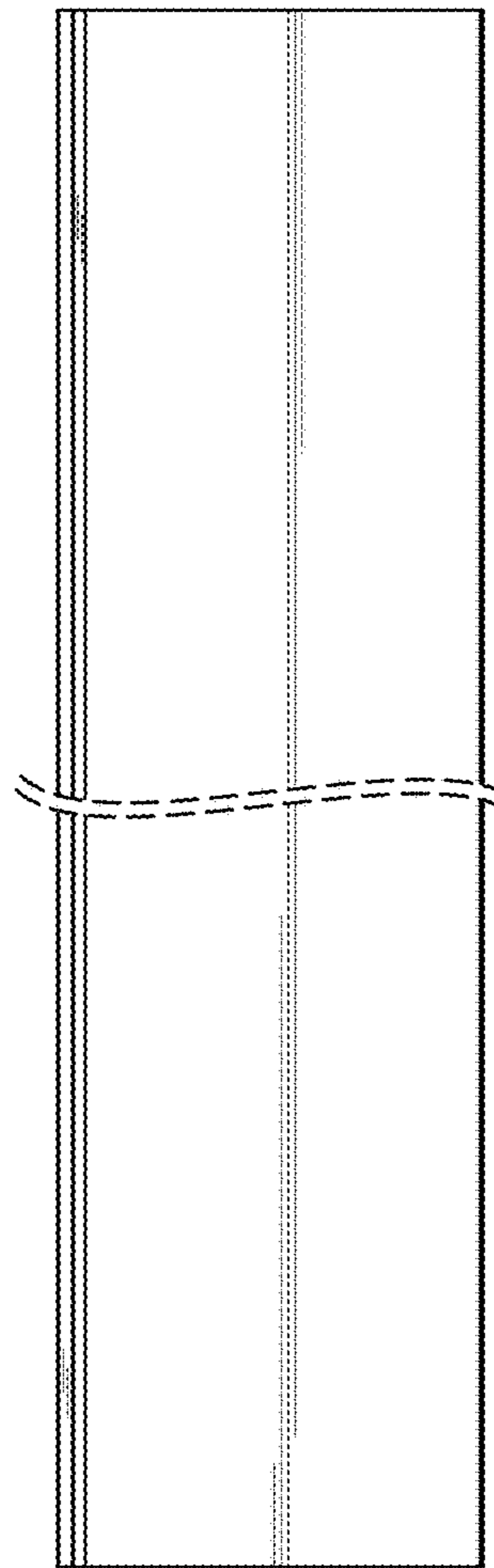


FIG. 7

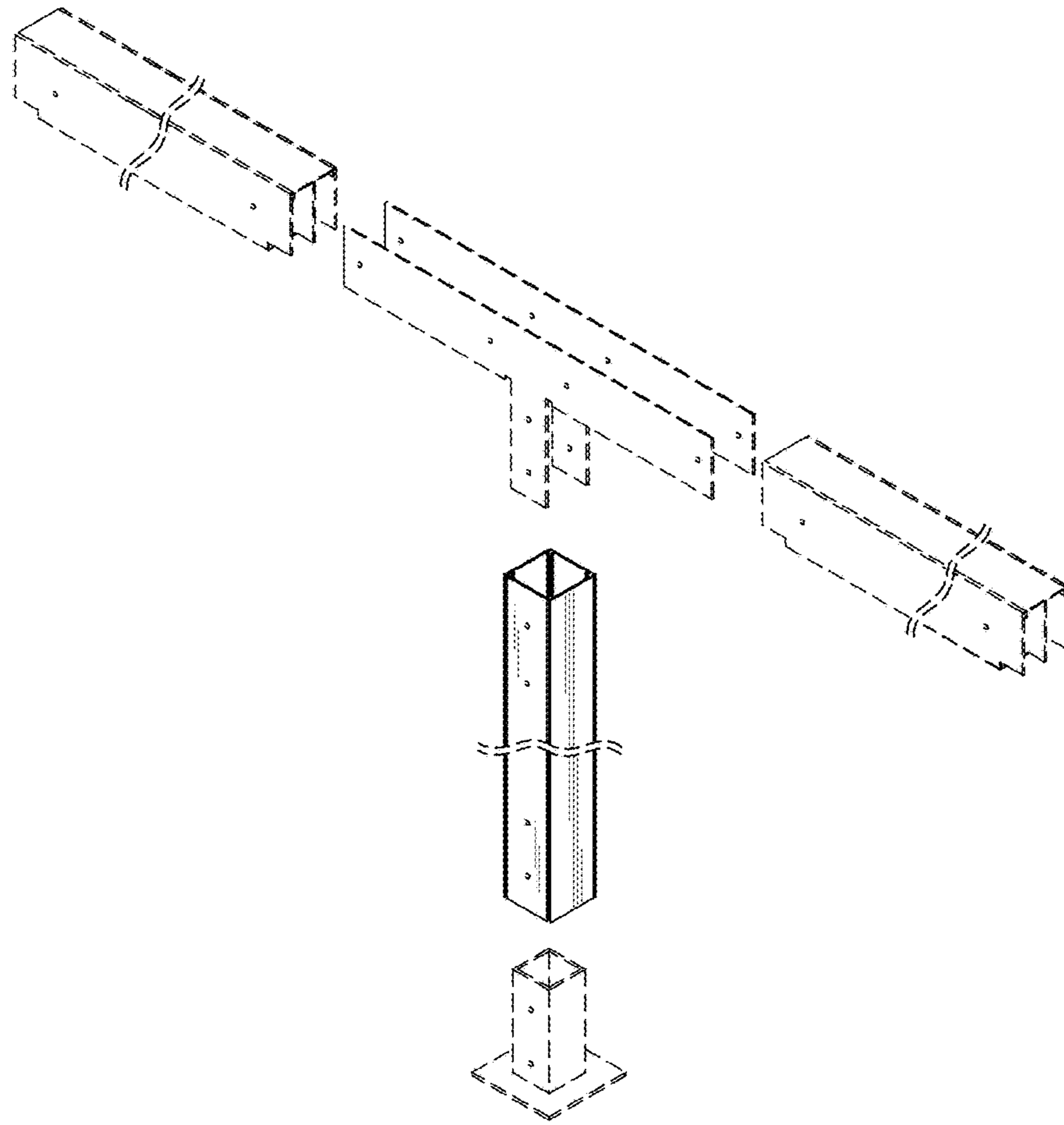


FIG. 8