



US00D854707S

(12) **United States Design Patent** (10) **Patent No.:** **US D854,707 S**
Jakobsen et al. (45) **Date of Patent:** **** Jul. 23, 2019**

(54) **MEDICAL SPECIMEN TUBE TRAY**

(71) Applicant: **ROTAPURE LAB. INSTRUMENTS IVS, Herfølge (DK)**

(72) Inventors: **Janus Schou Jakobsen, Gentofte (DK); Steen Nielsen, Herfølge (DK)**

(73) Assignee: **RotaPure Lab. Instruments IVS, Herfølge (DK)**

(**) Term: **15 Years**

(21) Appl. No.: **35/503,729**

(22) Filed: **Sep. 7, 2017**

(80) **Hague Agreement Data**
 Int. Filing Date: **Sep. 7, 2017**
 Int. Reg. No.: **DM/097649**
 Int. Reg. Date: **Sep. 7, 2017**
 Int. Reg. Pub. Date: **Sep. 29, 2017**

(30) **Foreign Application Priority Data**
 Mar. 30, 2017 (EM) 003831361

(51) **LOC (11) Cl.** **24-01**

(52) **U.S. Cl.**
 USPC **D24/230**

(58) **Field of Classification Search**
 USPC D24/216, 224, 226, 227, 229, 230;
 D9/456
 CPC .. A61B 50/33; A61B 2050/3008; B65B 5/068
 See application file for complete search history.

(56) **References Cited**

U.S. PATENT DOCUMENTS

D273,363	S	*	4/1984	Hagedorn	D9/425
D276,071	S	*	10/1984	Malinoff	D24/226
5,396,989	A	*	3/1995	Hein	A61B 17/205 206/366
D359,126	S	*	6/1995	Hovatter	D24/227
D420,743	S	*	2/2000	Monks	D24/224
7,347,977	B2	*	3/2008	Guelzow	B01L 3/5085 422/500
D628,306	S	*	11/2010	Blanc	D24/230
D639,447	S	*	6/2011	Karpiloff	D24/230
D690,027	S	*	9/2013	Motadel	D24/227
D699,371	S	*	2/2014	Williams	D24/230
D751,727	S	*	3/2016	Orcutt	D24/230
D761,654	S	*	7/2016	Puig	D9/456
D768,873	S	*	10/2016	Stedman	D24/227
D787,086	S	*	5/2017	Ohsaka	D24/224
D808,540	S	*	1/2018	Johns	D24/227
D812,243	S	*	3/2018	Johns	D24/227

* cited by examiner

Primary Examiner — Robert M. Spear
 (74) *Attorney, Agent, or Firm* — Dinsmore & Shohl LLP

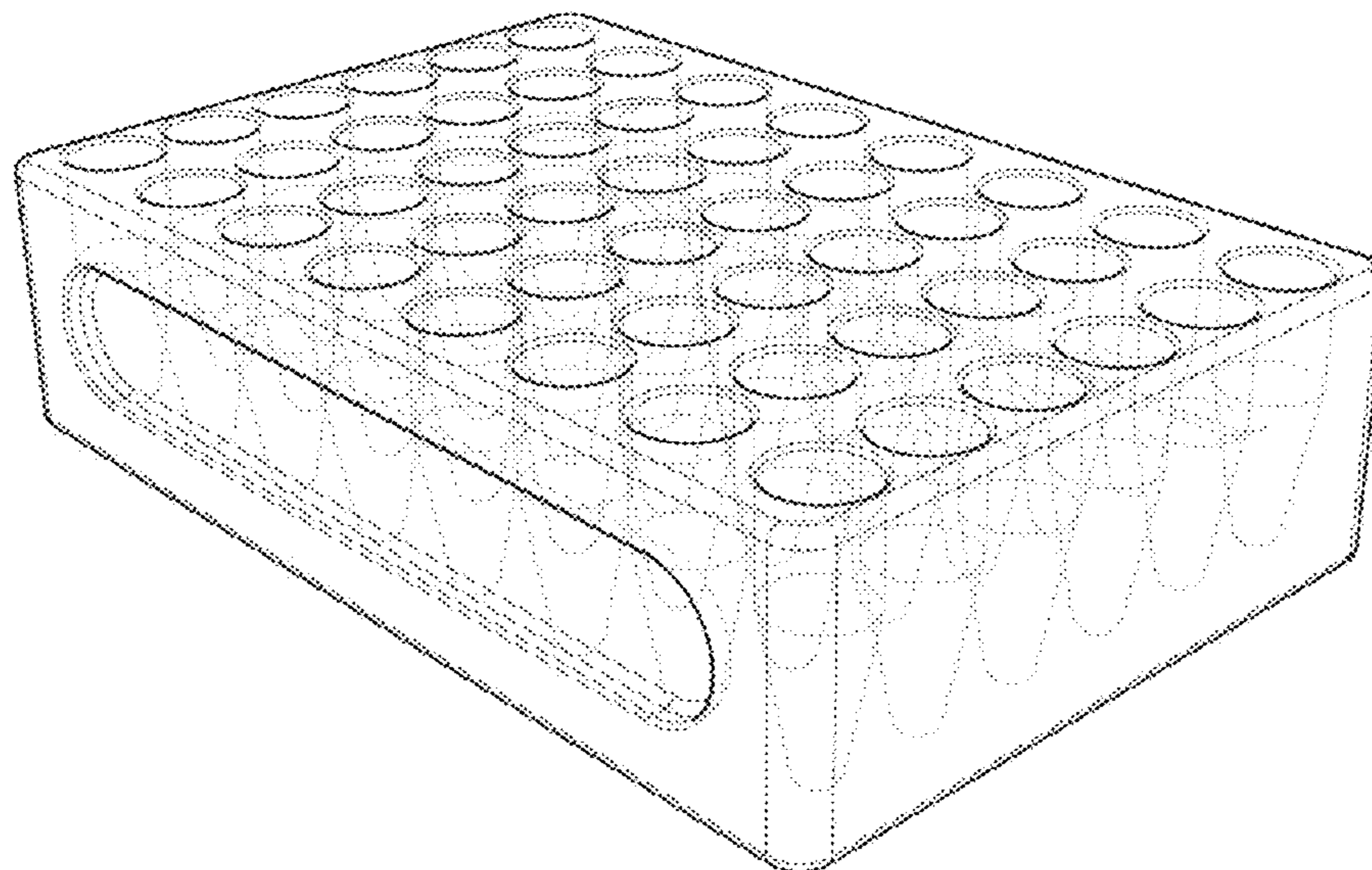
(57) **CLAIM**

The ornamental design for a medical specimen tube tray, shown and described.

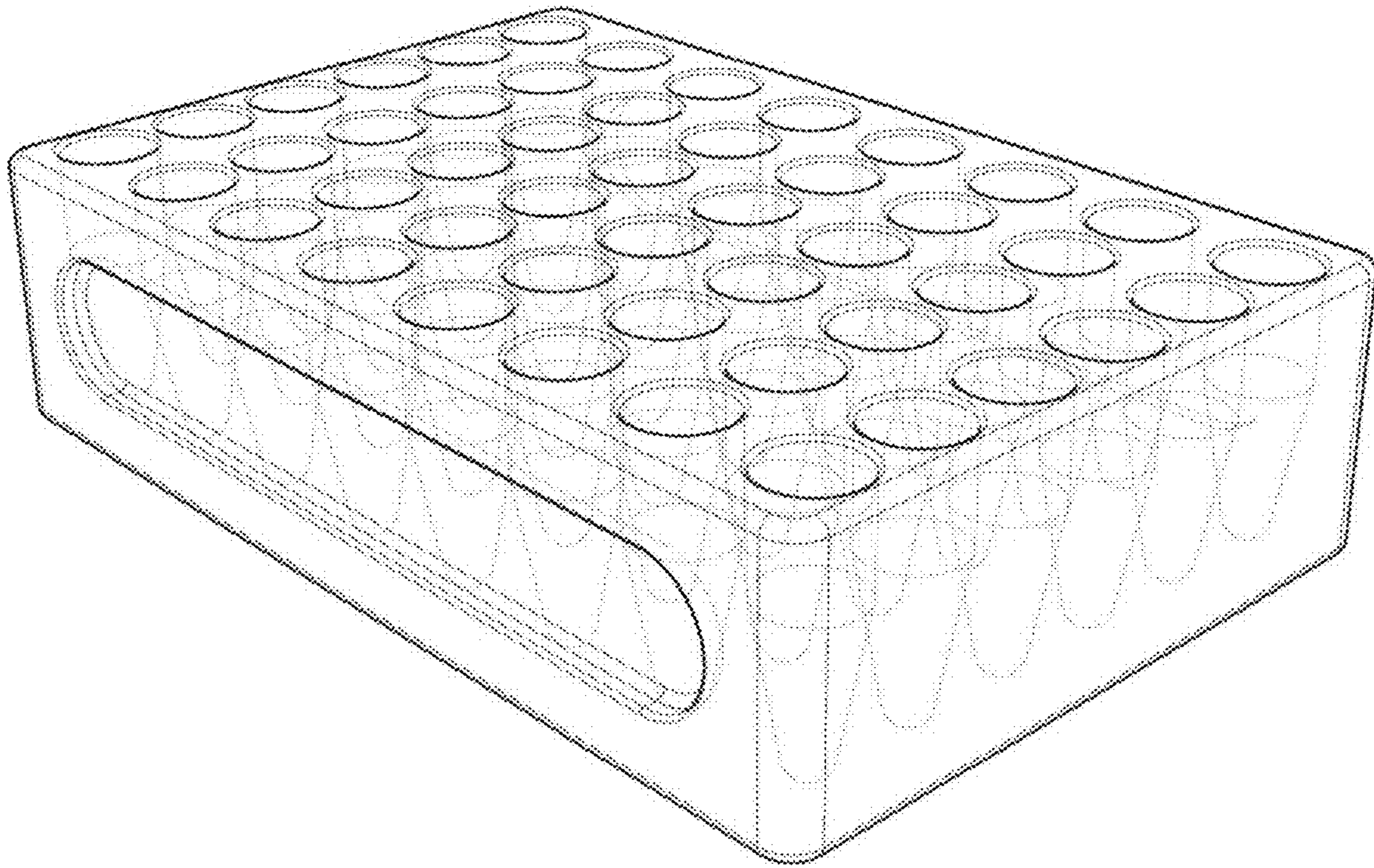
DESCRIPTION

1. Medical specimen tube tray
 1.1 : Perspective
 1.2 : Top
 1.3 : Front
 1.4 : Cross-sectional

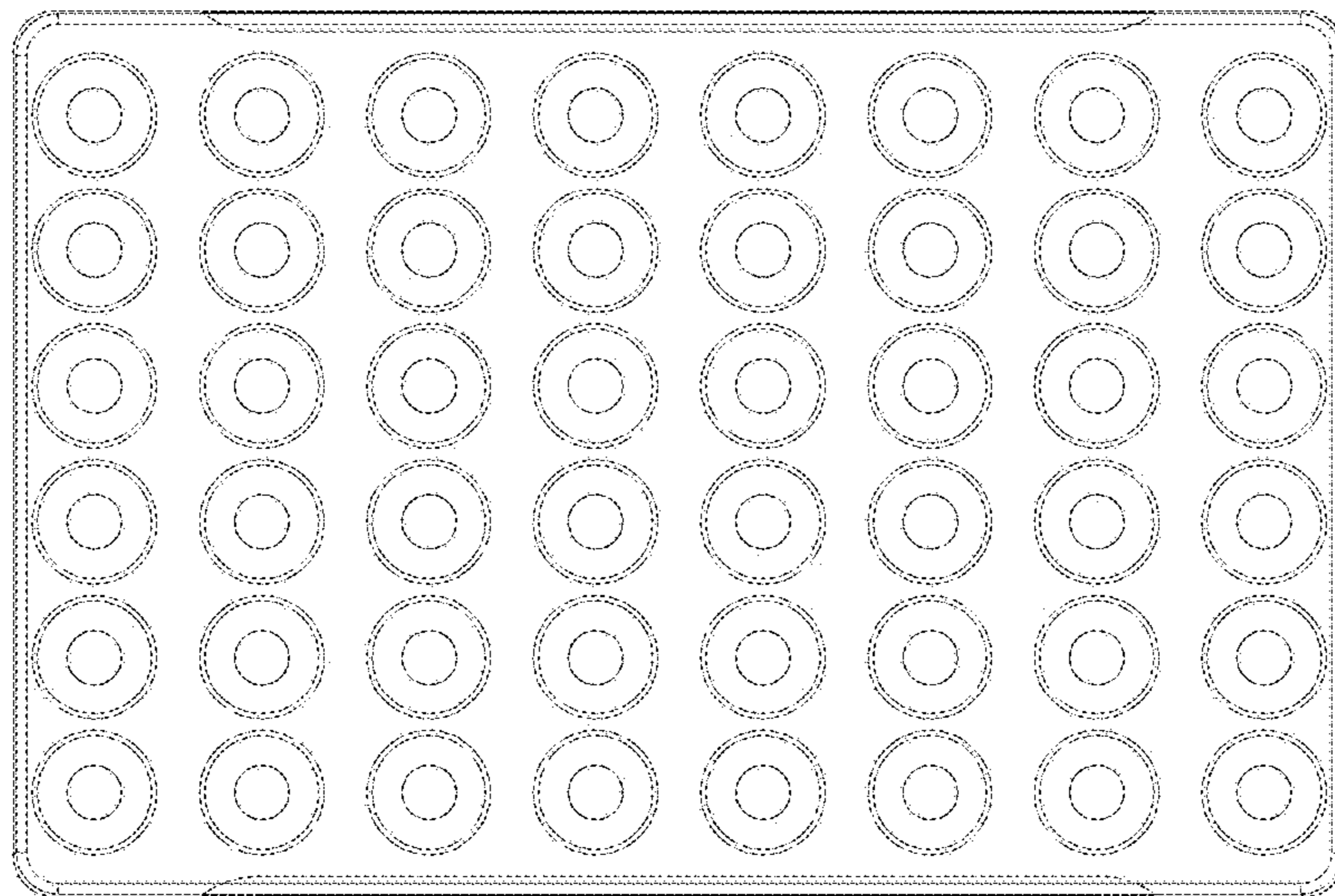
1 Claim, 4 Drawing Sheets



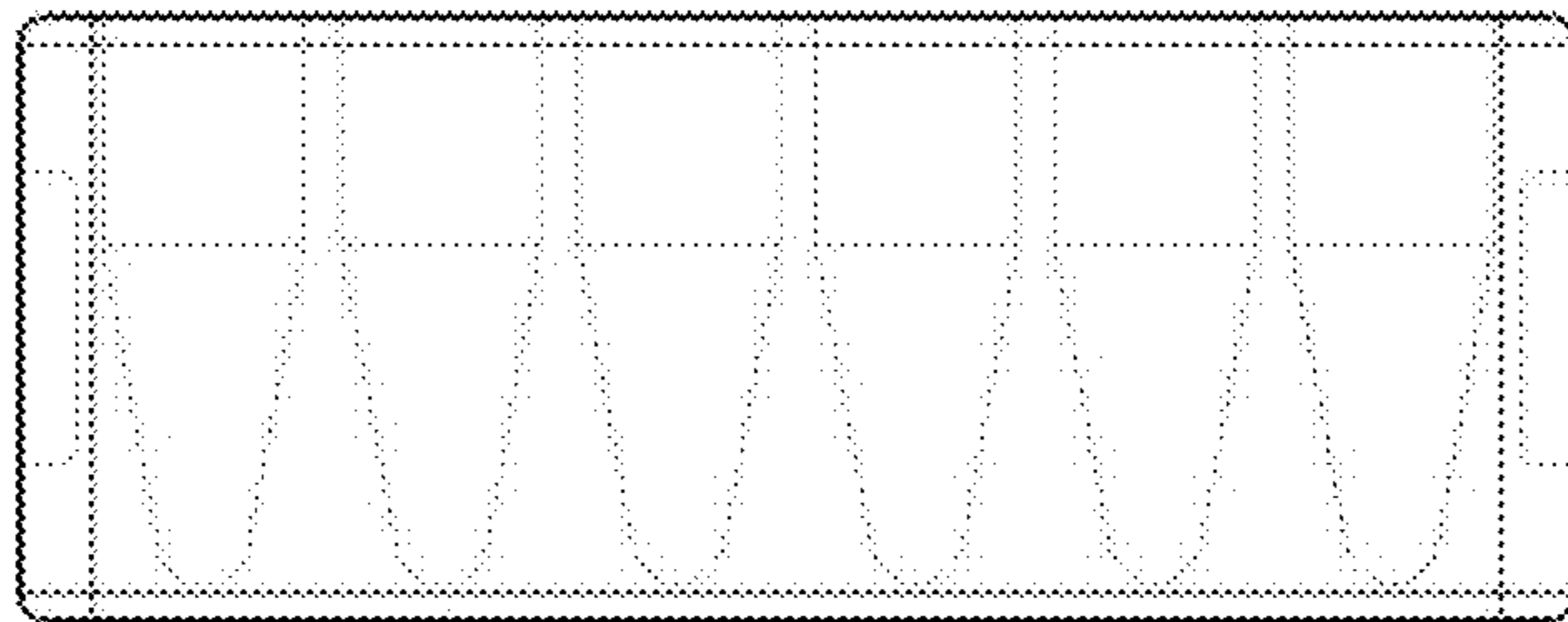
1.1



1.2



1.3



1.4

