



US00D854703S

(12) **United States Design Patent** (10) **Patent No.:** **US D854,703 S**
Juhlin et al. (45) **Date of Patent:** **** Jul. 23, 2019**

(54) **MULTI-ASSAY ANALYZER DEVICE**

(71) Applicant: **Abbott Diagnostics Technologies AS**, Oslo (NO)

(72) Inventors: **Stina Brita Juhlin**, Oslo (NO); **Karl Magnus Andreas Olsson**, Oslo (NO)

(73) Assignee: **Abbott Diagnostics Technologies AS**, Oslo (NO)

(**) Term: **15 Years**

(21) Appl. No.: **29/580,806**

(22) Filed: **Oct. 13, 2016**

(30) **Foreign Application Priority Data**

Apr. 15, 2016	(EM)	003071109-0001
Apr. 15, 2016	(EM)	003071109-0002
Apr. 15, 2016	(EM)	003071109-0003
Apr. 15, 2016	(EM)	003071109-0004
Apr. 15, 2016	(EM)	003071109-0005

(Continued)

(51) **LOC (11) Cl.** **24-01**

(52) **U.S. Cl.**
USPC **D24/216**

(58) **Field of Classification Search**
USPC D24/216–219, 231, 232, 233, 107, 169, D24/186; D10/81

(Continued)

(56) **References Cited**

U.S. PATENT DOCUMENTS

D682,441 S	*	5/2013	Kim	D24/216
D693,477 S	*	11/2013	Isozaki	D24/216

(Continued)

Primary Examiner — Anhdao Doan

(74) *Attorney, Agent, or Firm* — Foley Hoag LLP

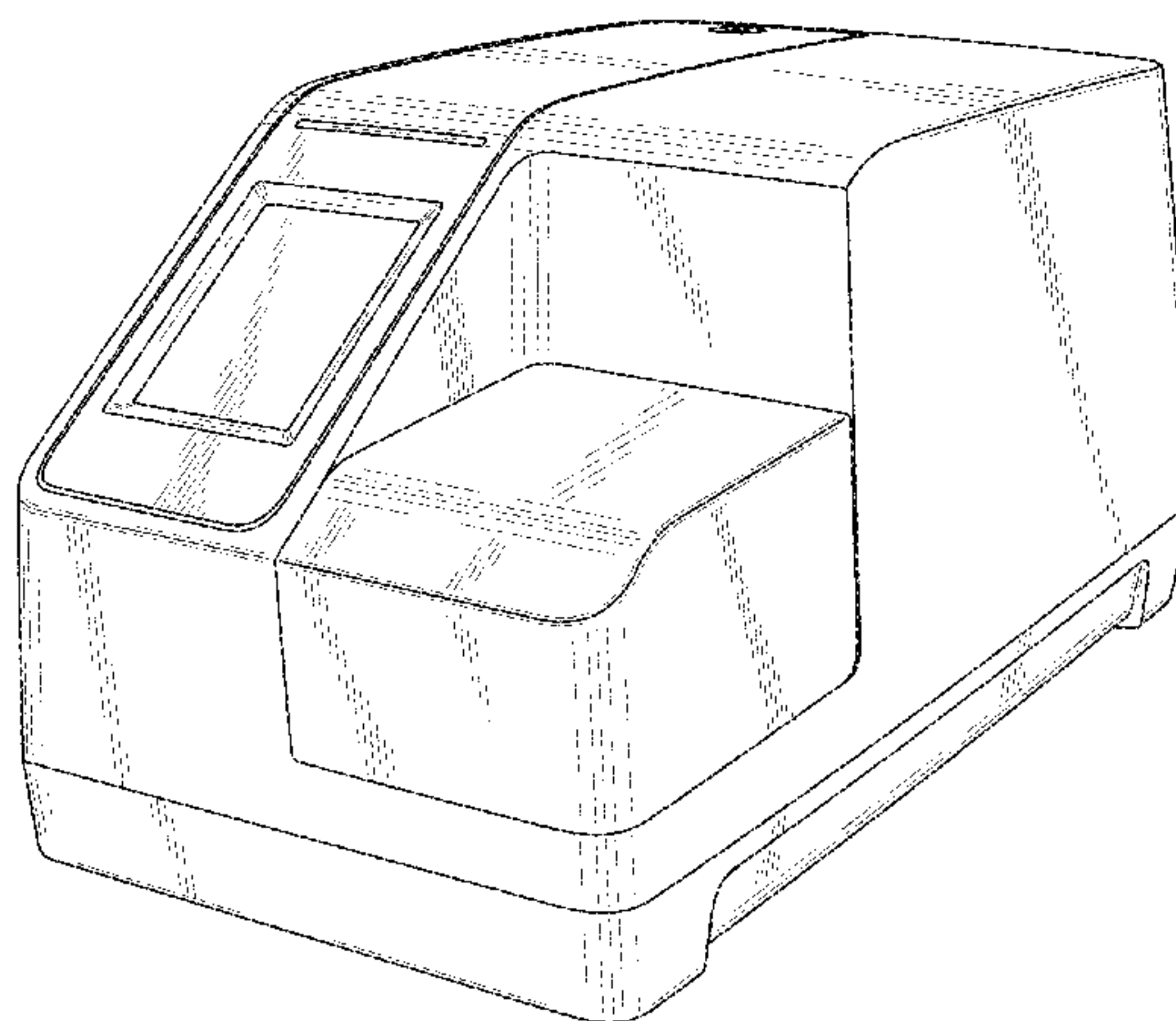
(57) **CLAIM**

The ornamental design for a multi-assay analyzer device, as shown and described.

DESCRIPTION

FIG. 1 is a side perspective view of a first embodiment of a multi-assay analyzer device;
 FIG. 2 is a front view thereof;
 FIG. 3 is a rear view thereof;
 FIG. 4 is a right side view thereof;
 FIG. 5 is a left side view thereof;
 FIG. 6 is a top plan view thereof;
 FIG. 7 is a bottom plan view thereof;
 FIG. 8 is a left rear perspective view thereof;
 FIG. 9 is a right rear perspective view thereof;
 FIG. 10 is another side perspective view thereof;
 FIG. 11 is a side perspective view of a second embodiment of a multi-assay analyzer device;
 FIG. 12 is a right side view thereof;
 FIG. 13 is a left side view thereof;
 FIG. 14 is a top plan view thereof;
 FIG. 15 is a bottom plan view thereof;
 FIG. 16 is a left rear perspective view thereof;
 FIG. 17 is a right rear perspective view thereof;
 FIG. 18 is a side perspective view of a third embodiment of a multi-assay analyzer device;
 FIG. 19 is a top plan view thereof;
 FIG. 20 is a bottom plan view thereof;
 FIG. 21 is a left rear perspective view thereof;
 FIG. 22 is a right rear perspective view thereof;
 FIG. 23 is another side perspective view thereof;
 FIG. 24 is a side perspective view of a fourth embodiment of a multi-assay analyzer device;
 FIG. 25 is a top plan view thereof;
 FIG. 26 is a bottom plan view thereof;
 FIG. 27 is a left rear perspective view thereof; and,
 FIG. 28 is a right rear perspective view thereof.
 The broken lines represent portions of the multi-assay analyzer device that form no part of the claimed design.

1 Claim, 27 Drawing Sheets



(30) **Foreign Application Priority Data**

Apr. 15, 2016 (EM) 003071109-0006
Apr. 15, 2016 (EM) 003071109-0007
Apr. 15, 2016 (EM) 003071109-0008
Apr. 15, 2016 (EM) 003071109-0009
Apr. 15, 2016 (EM) 003071109-0010
Apr. 15, 2016 (EM) 003071109-0011
Apr. 15, 2016 (EM) 003071109-0012
Apr. 15, 2016 (EM) 003071109-0013
Apr. 15, 2016 (EM) 003071109-0014
Apr. 15, 2016 (EM) 003071109-0015

(58) **Field of Classification Search**

CPC G01N 2035/00306; G01N 2035/00326;
G01N 2035/00336; G01N 2030/027;
G01N 35/1085; G01N 2021/6432; C12Q
1/6869; C12Q 1/6806

See application file for complete search history.

(56) **References Cited**

U.S. PATENT DOCUMENTS

D735,883 S * 8/2015 Bauer D24/231
D774,205 S * 12/2016 Grace D24/216
D794,211 S * 8/2017 Ang D24/232
9,958,465 B2 * 5/2018 Ang G01N 35/00029

* cited by examiner

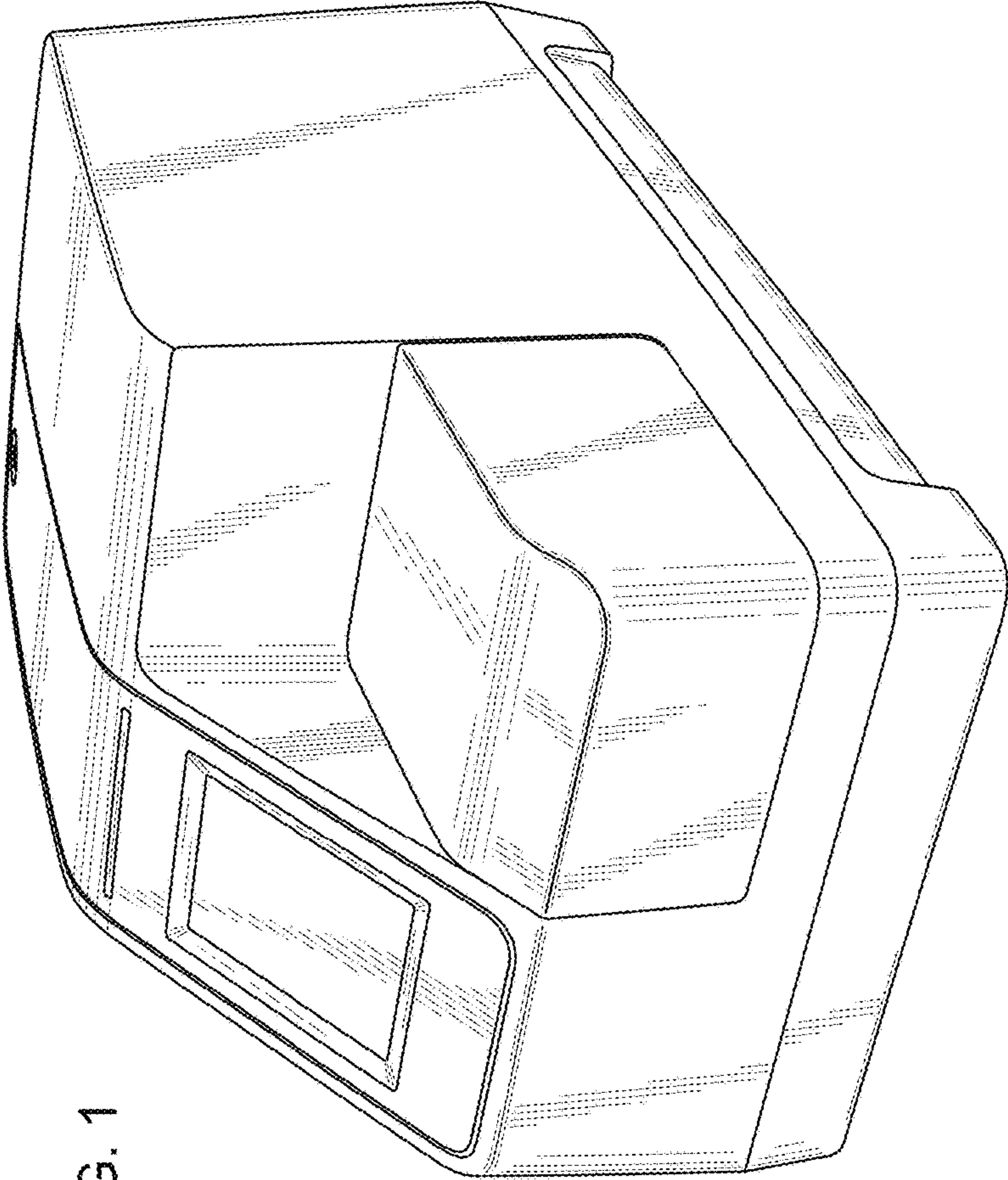


FIG. 1

FIG. 2

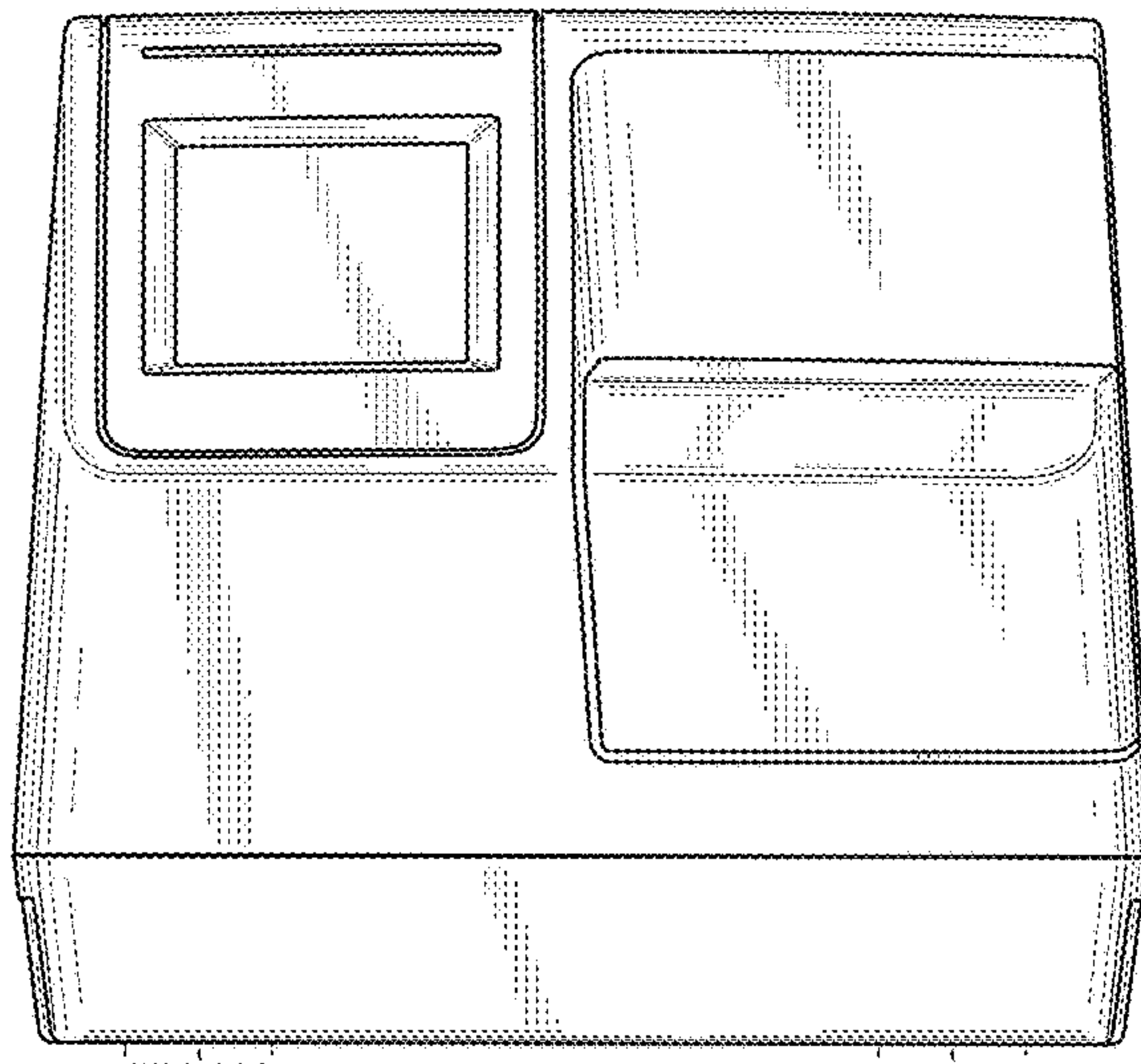
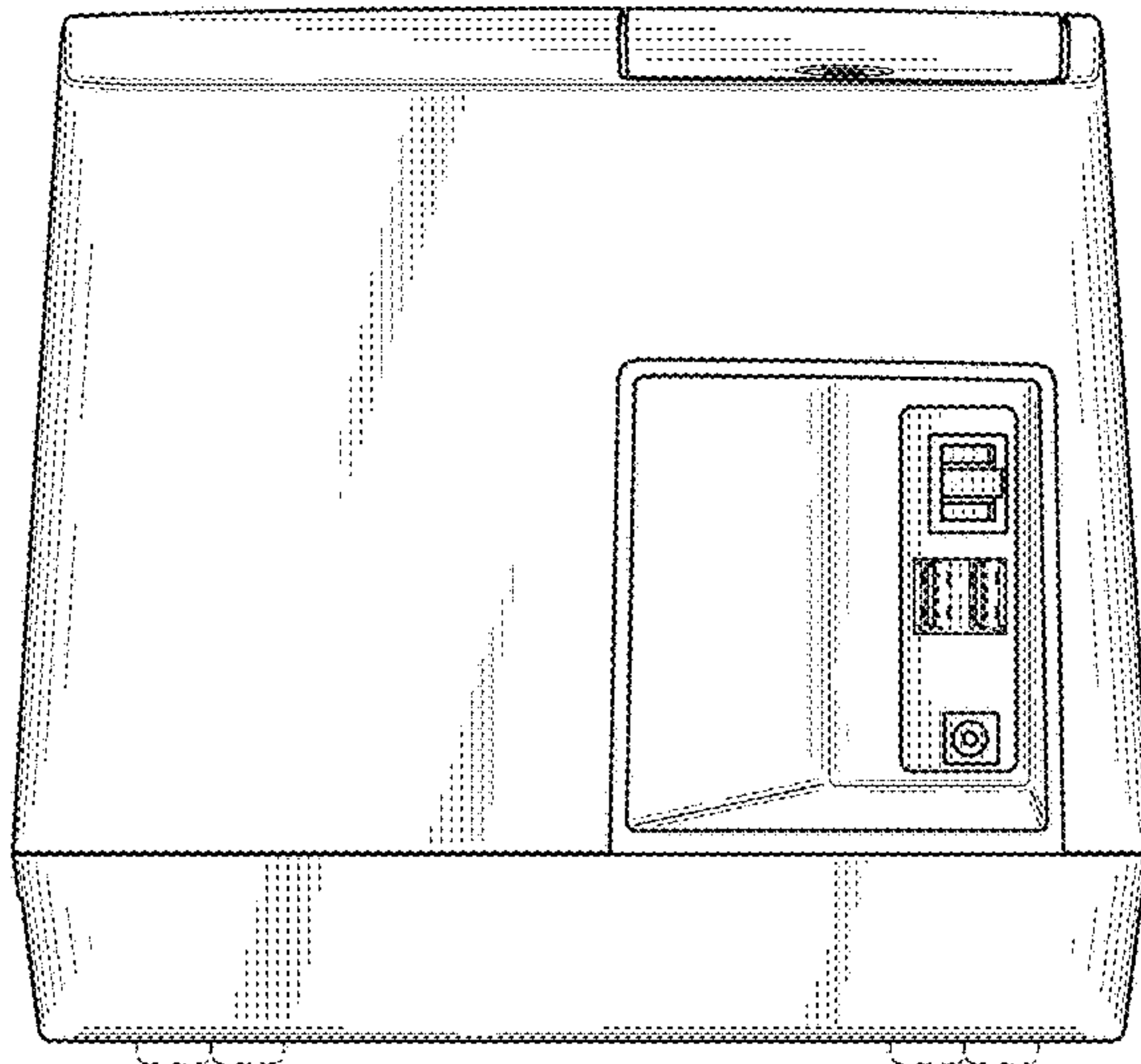


FIG. 3



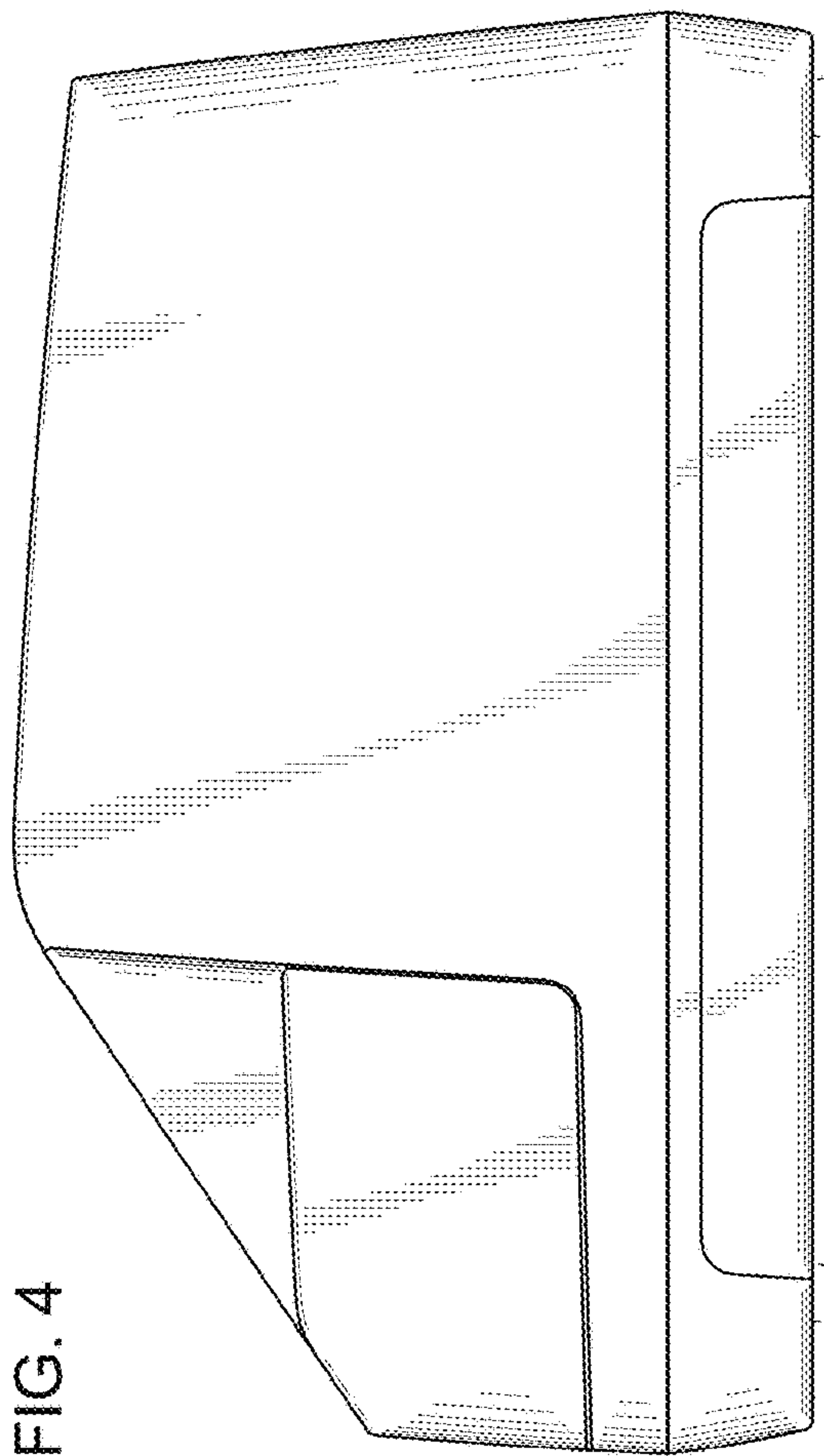


FIG. 4

FIG. 5

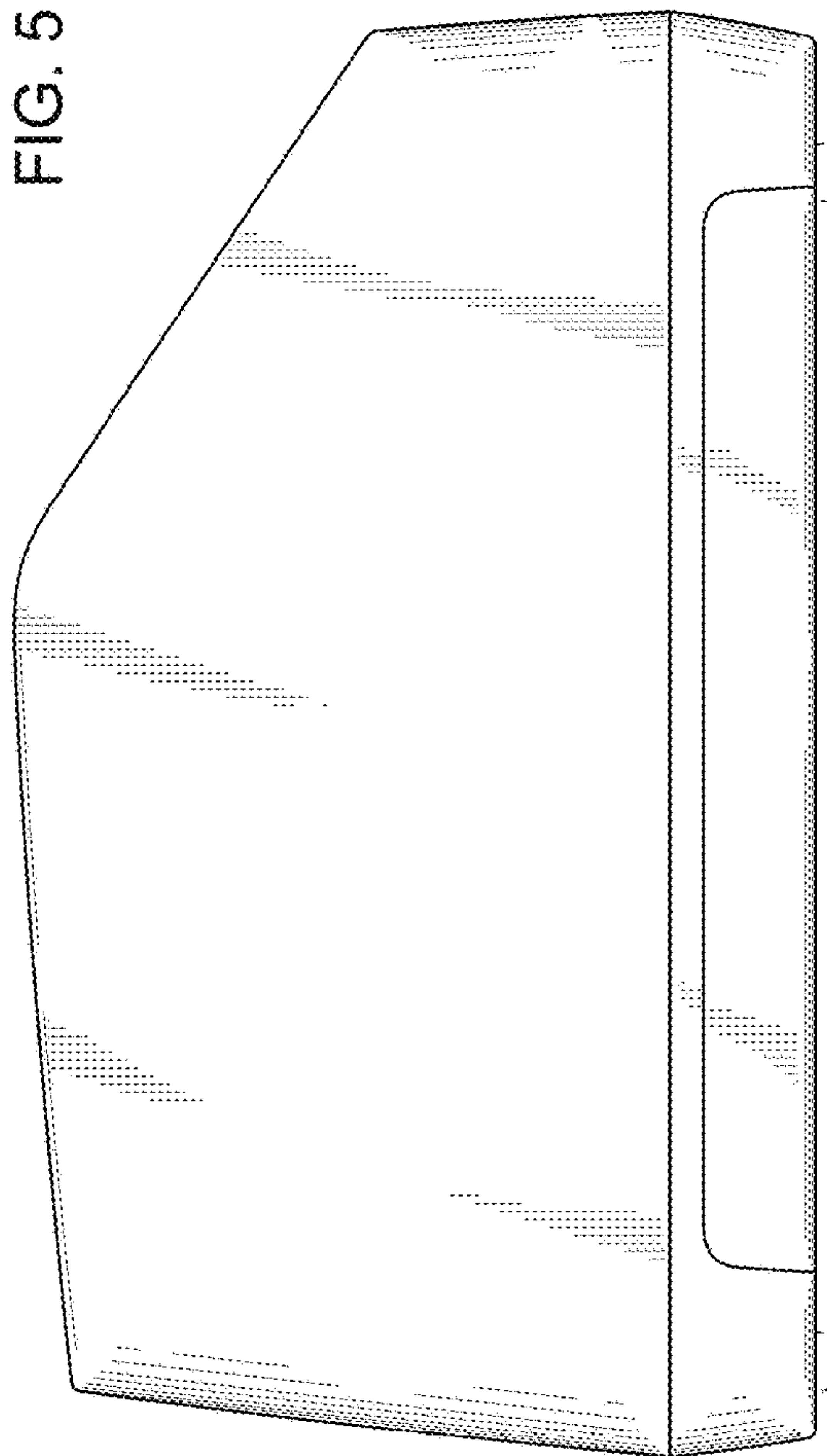


FIG. 6

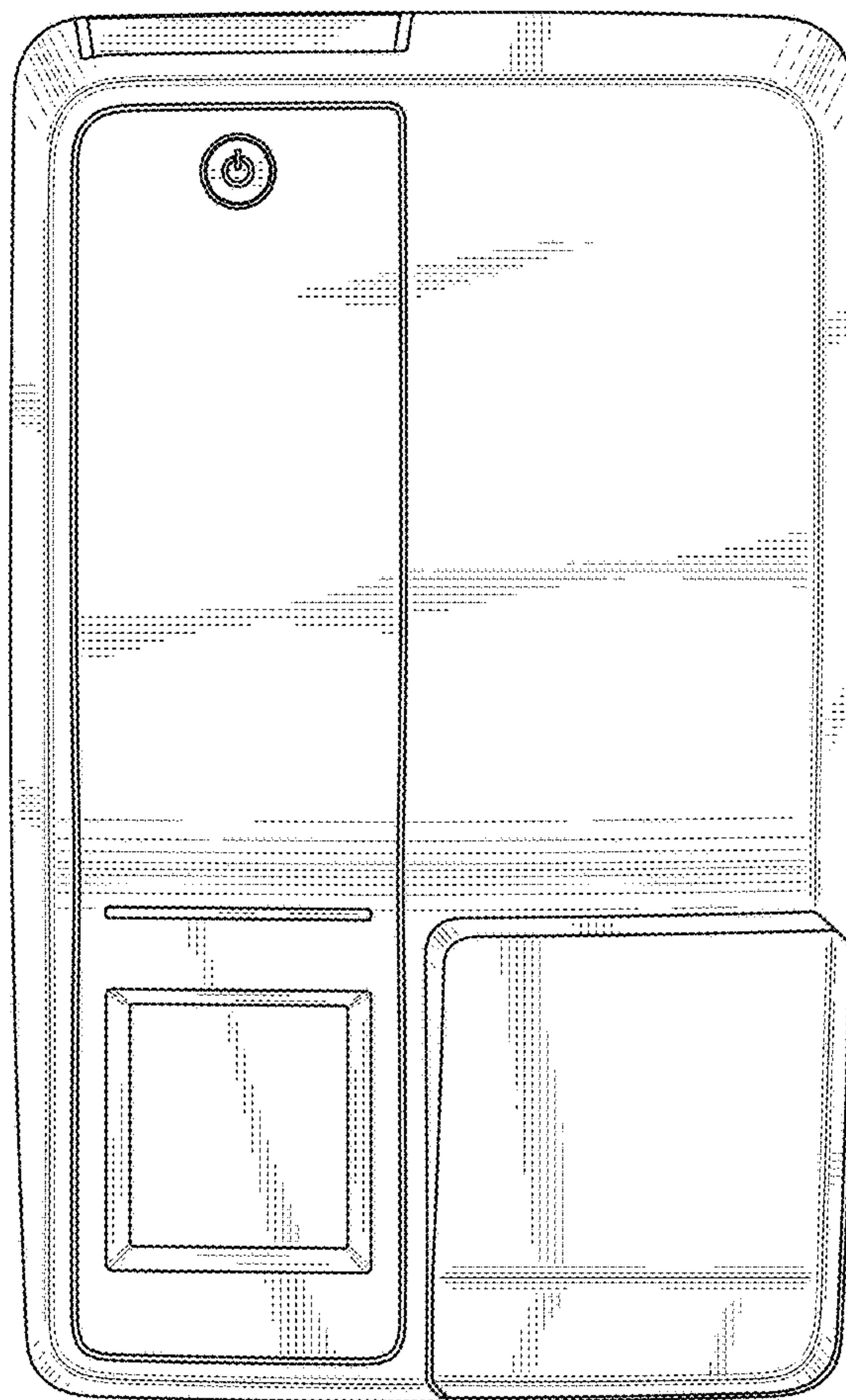
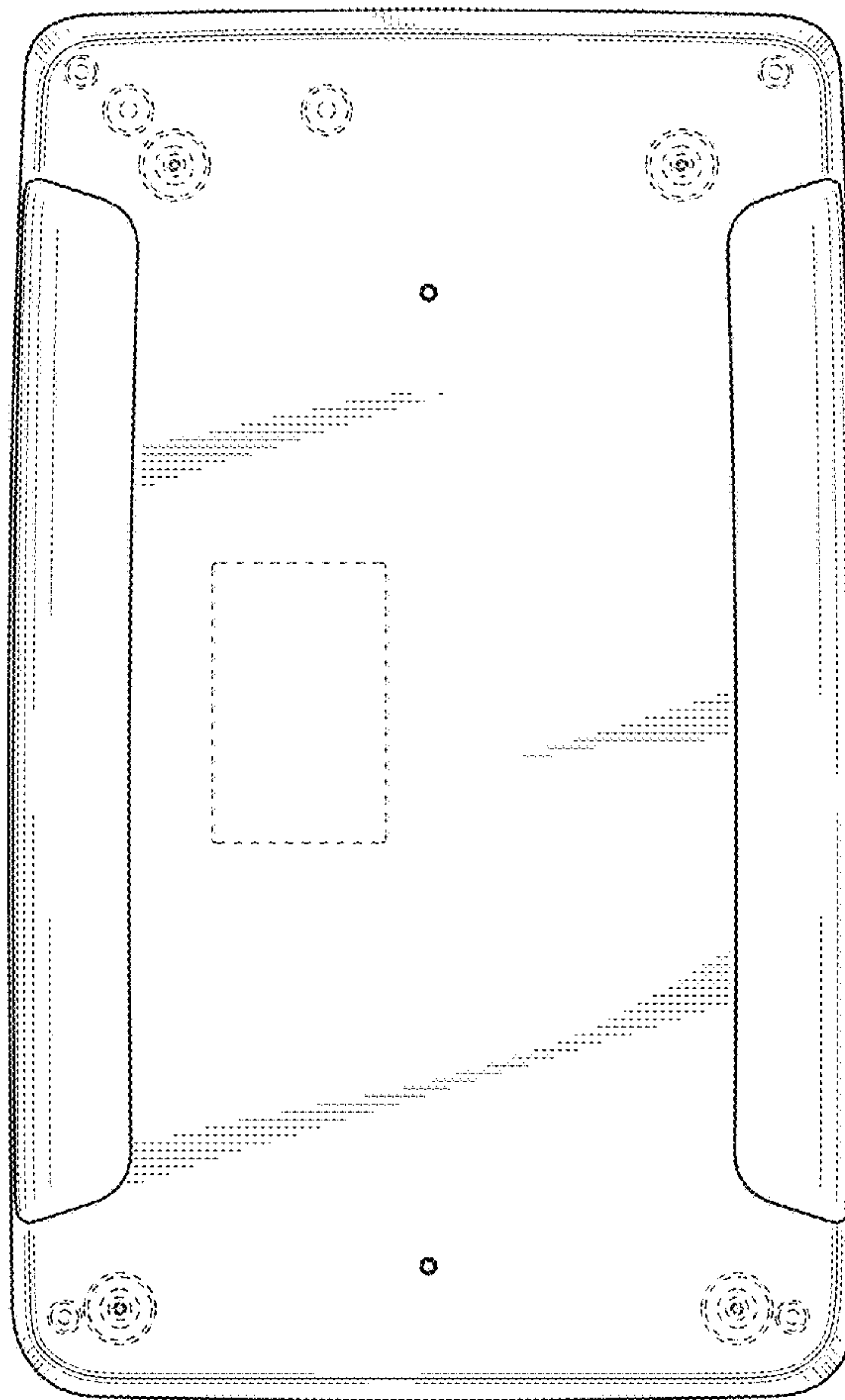


FIG. 7



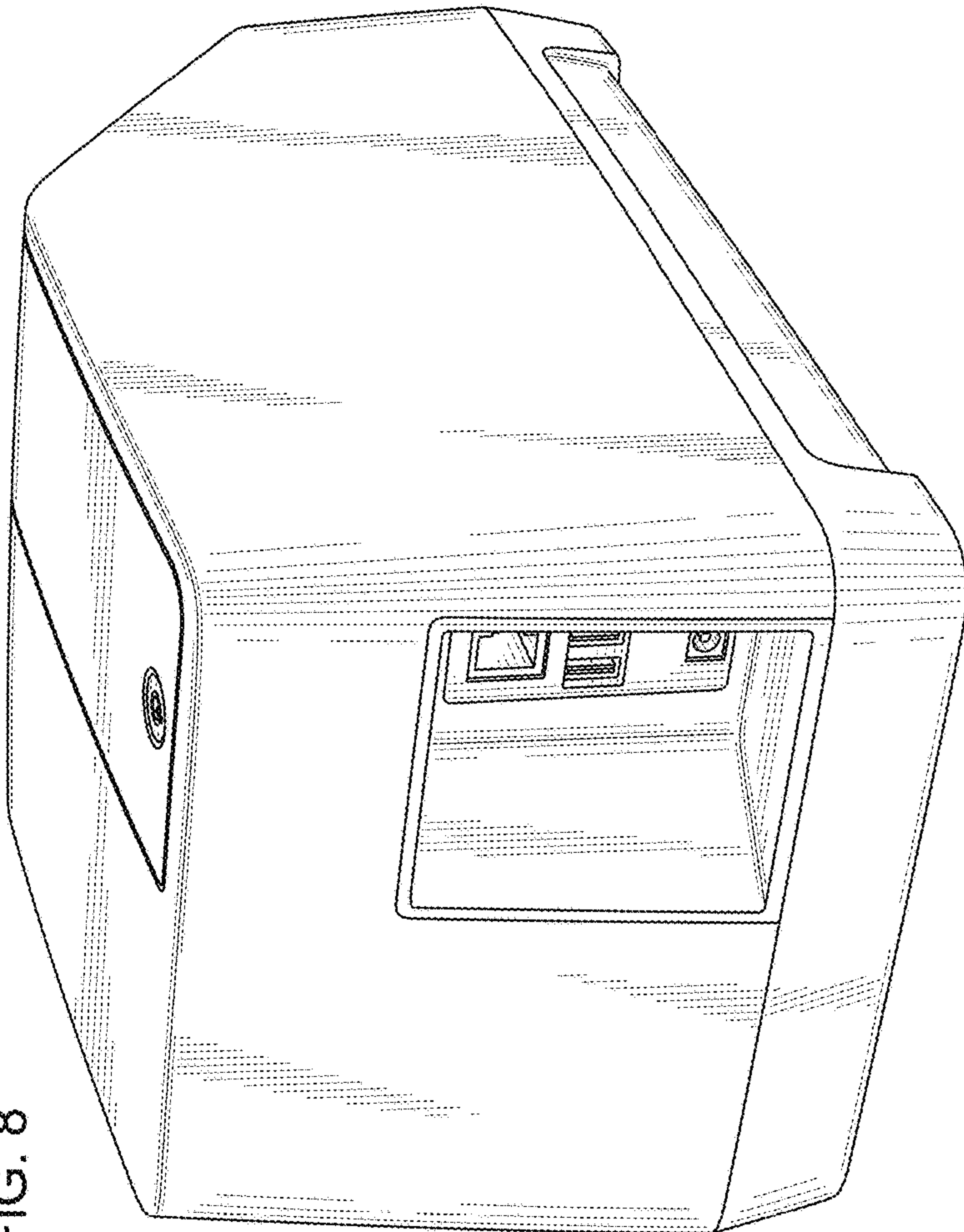


FIG. 8

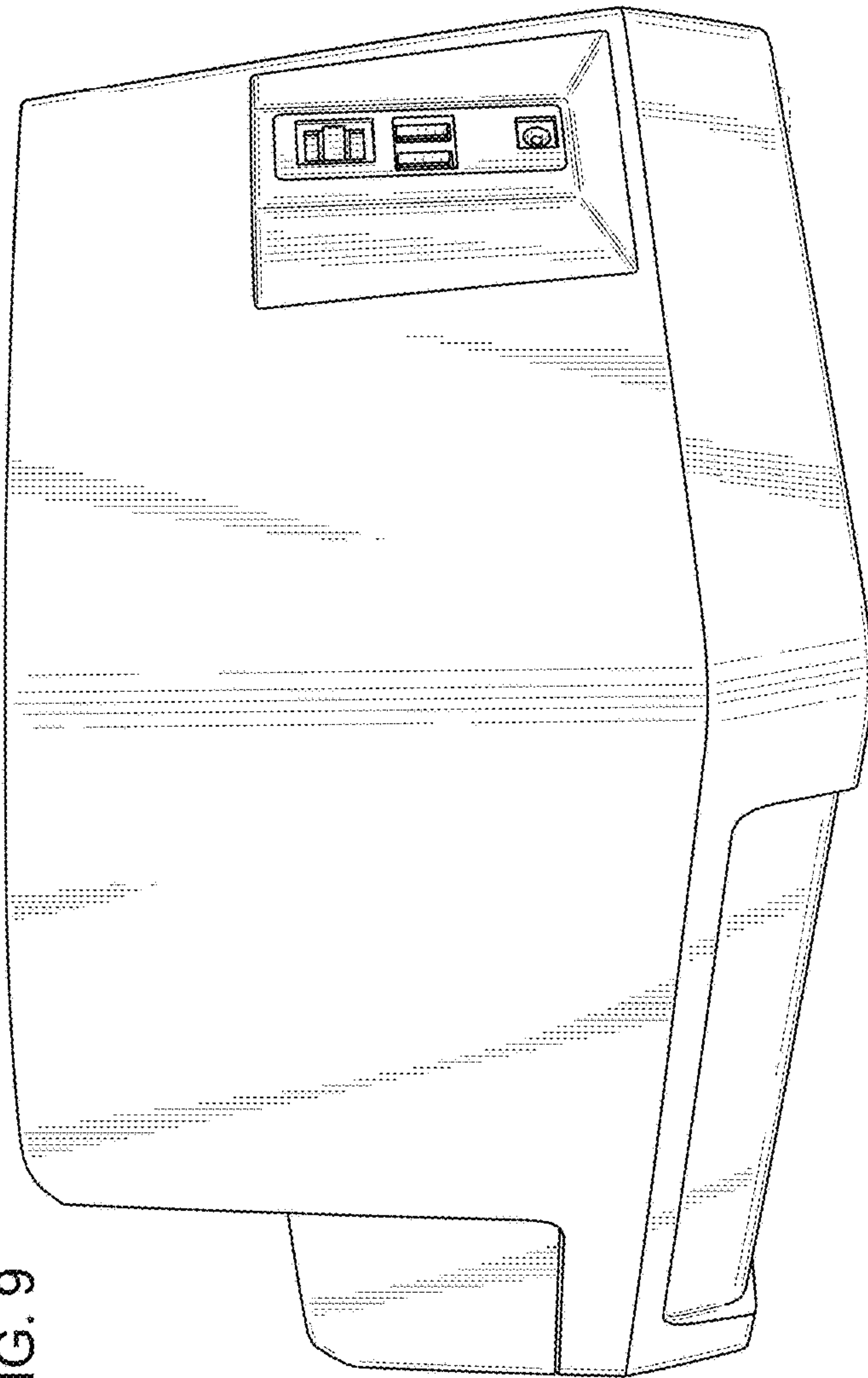
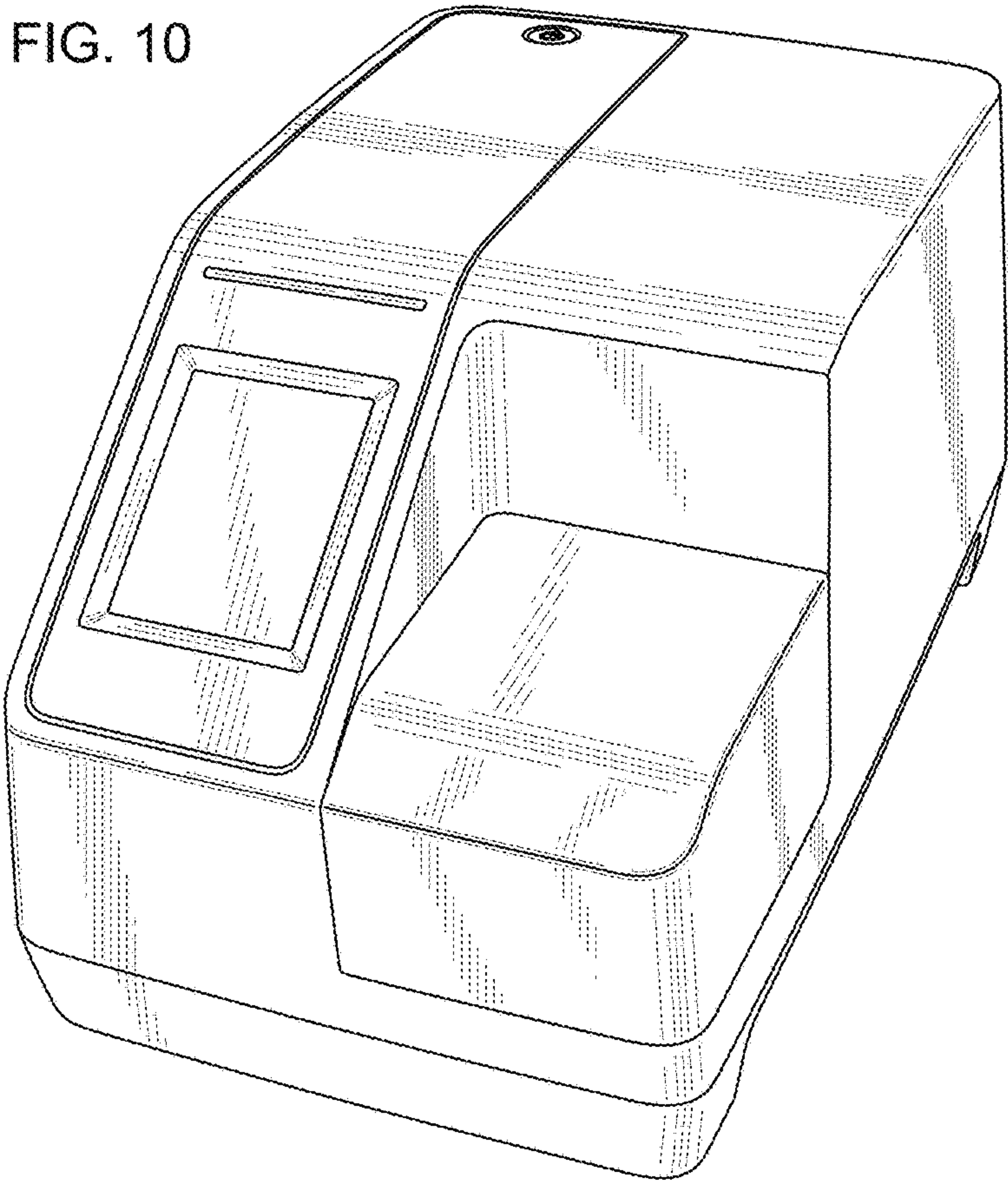


FIG. 9

FIG. 10



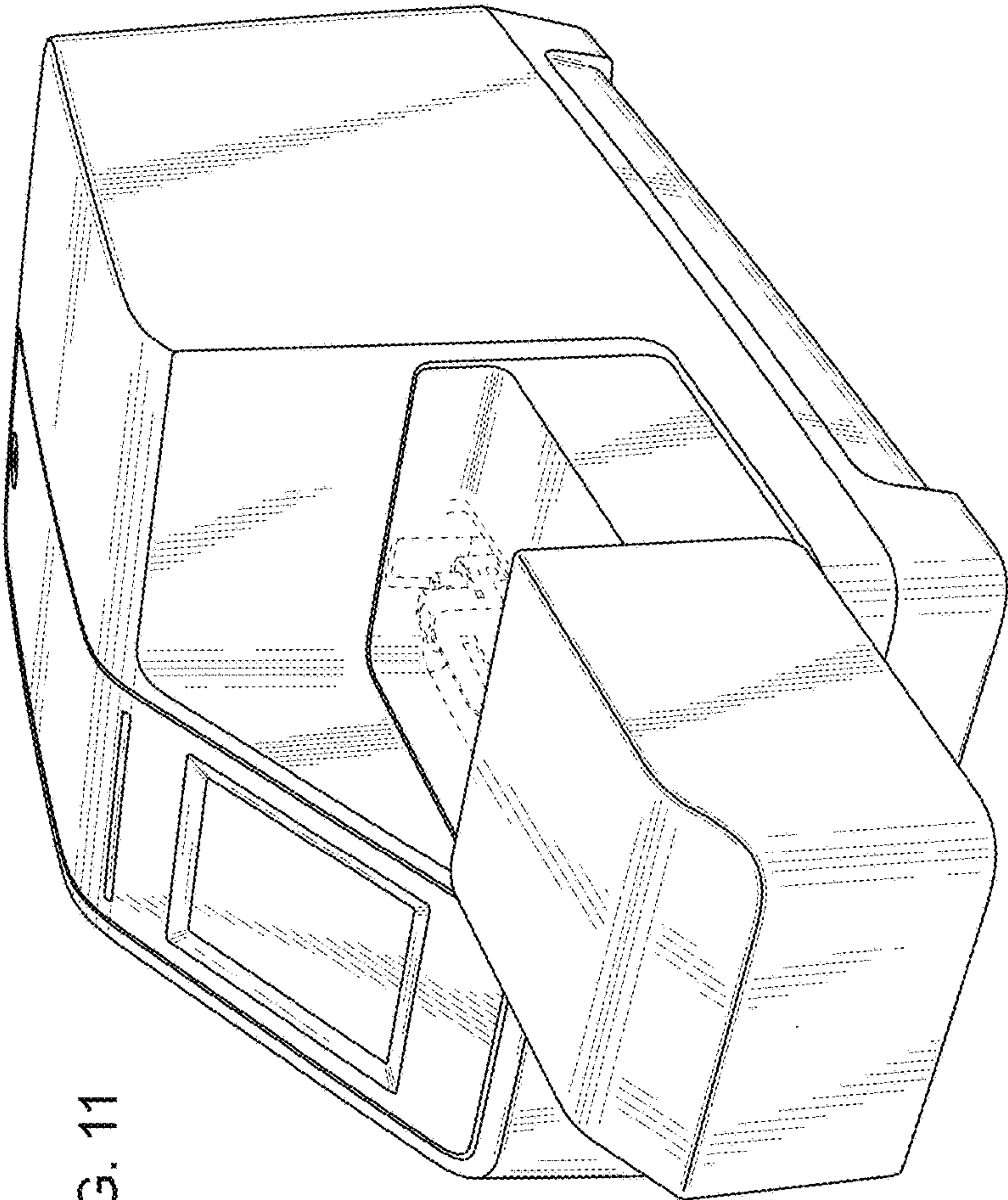


FIG. 11

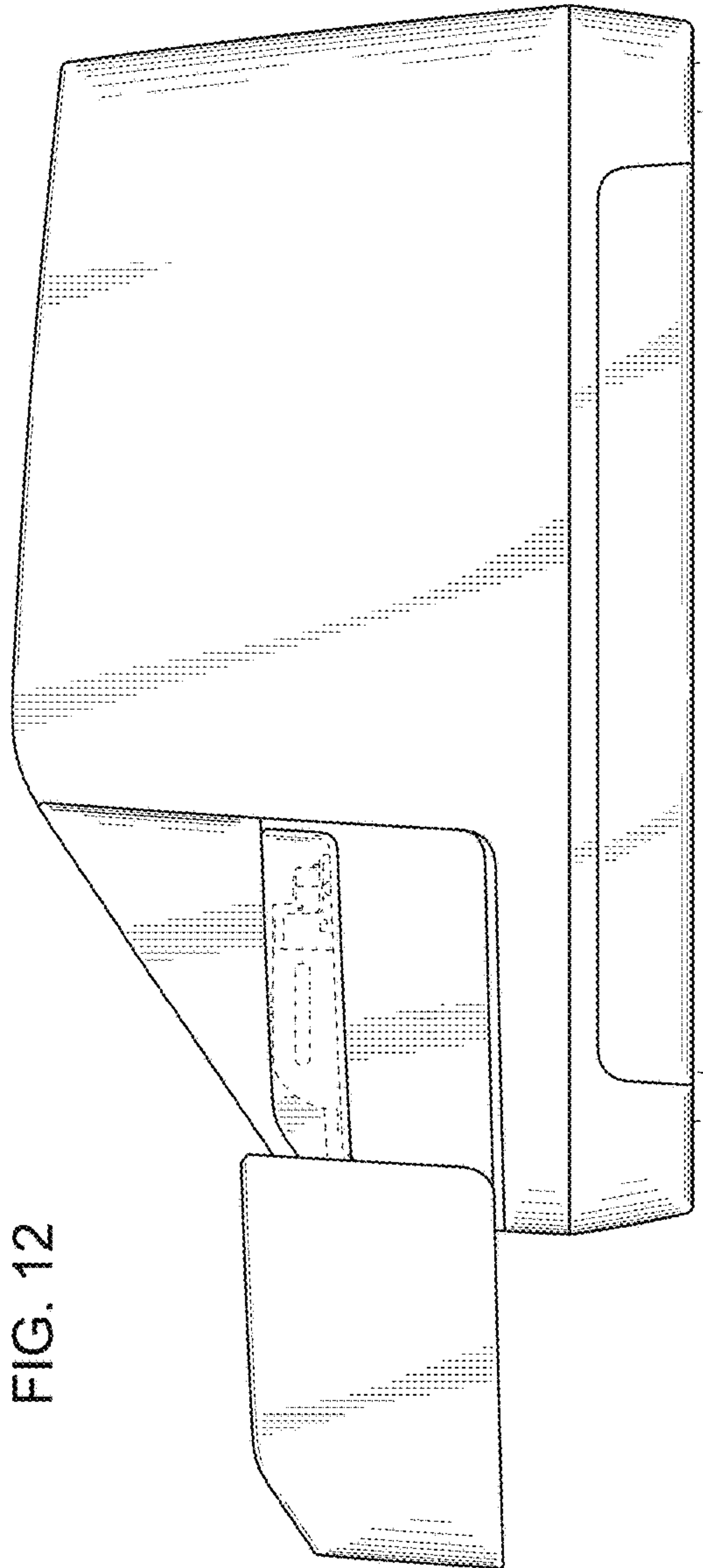


FIG. 12

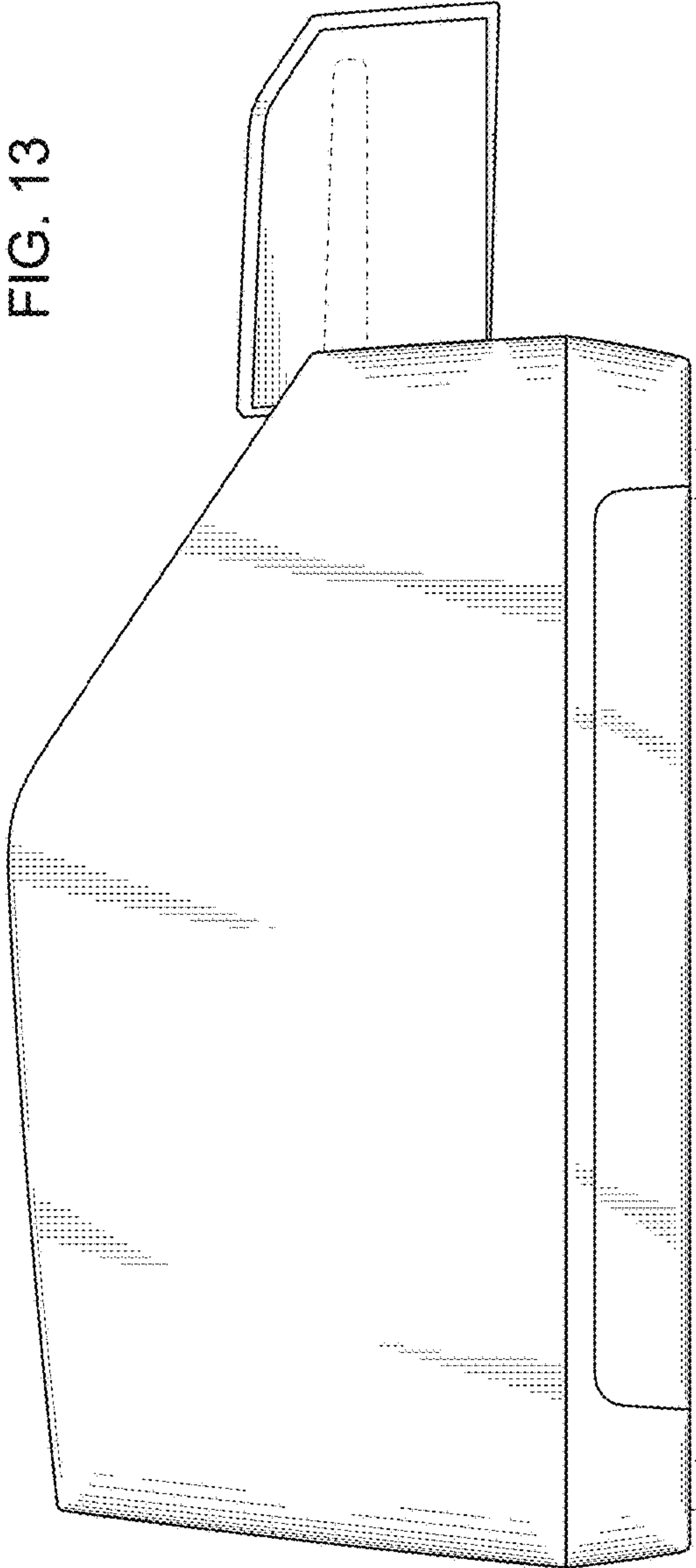


FIG. 13

FIG. 14

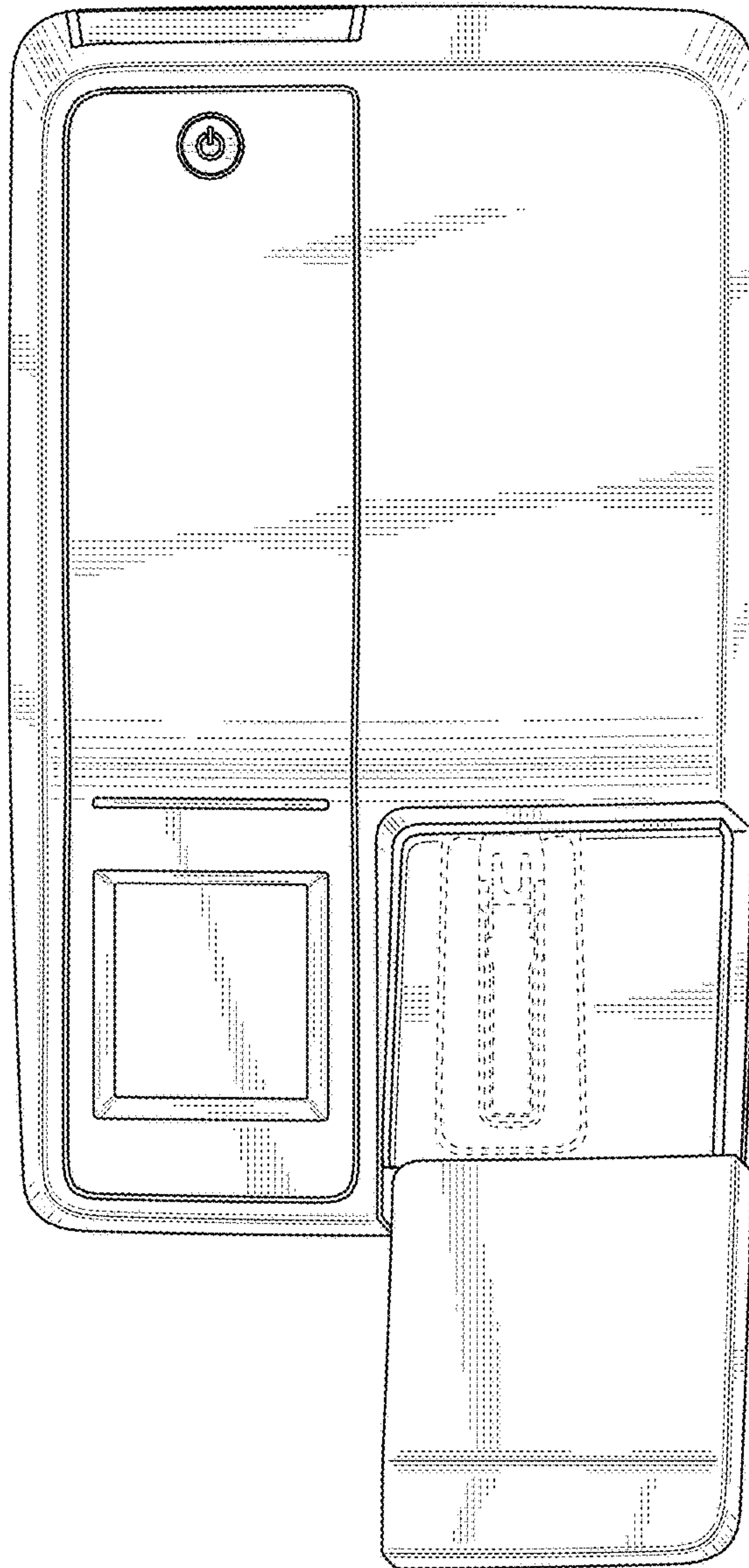


FIG. 15

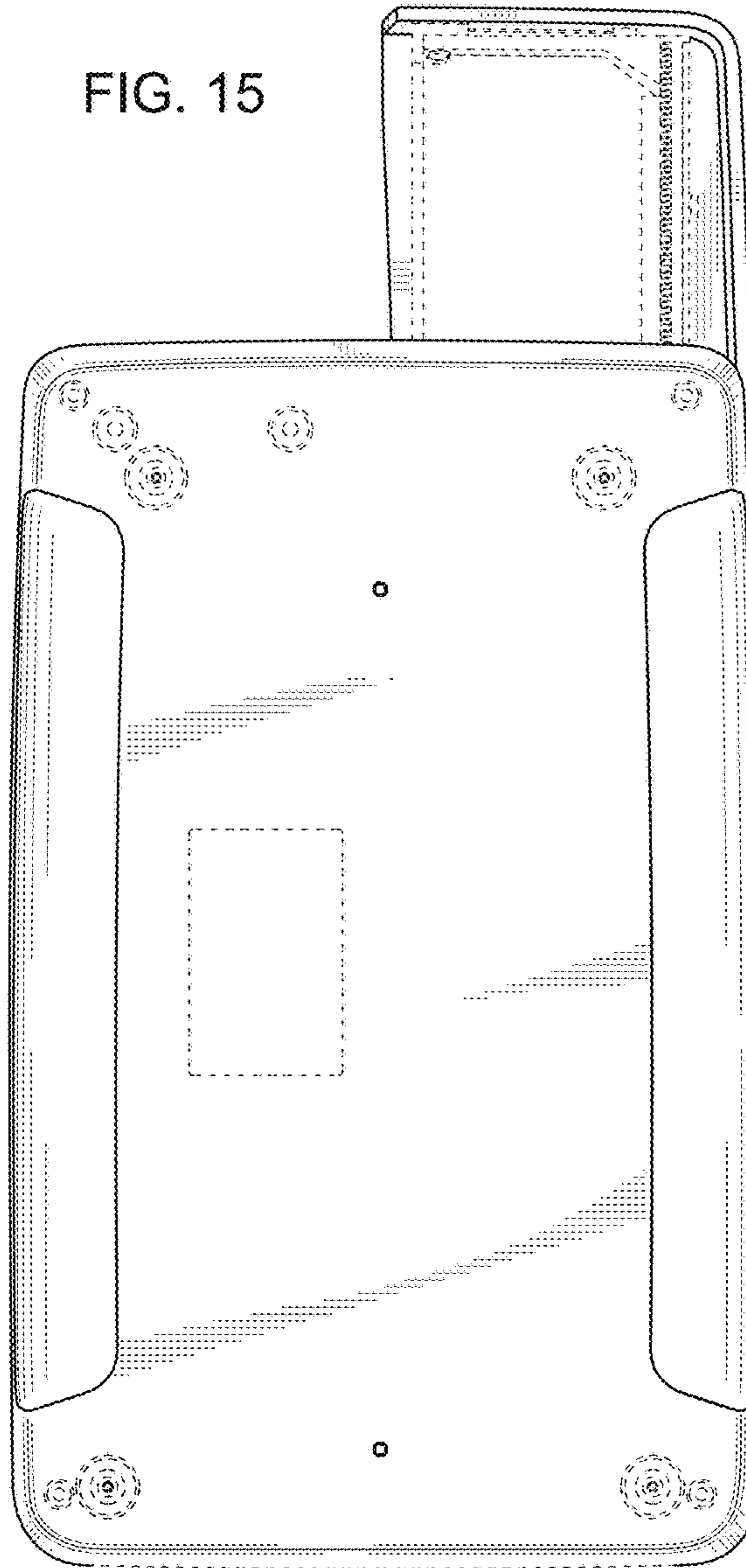
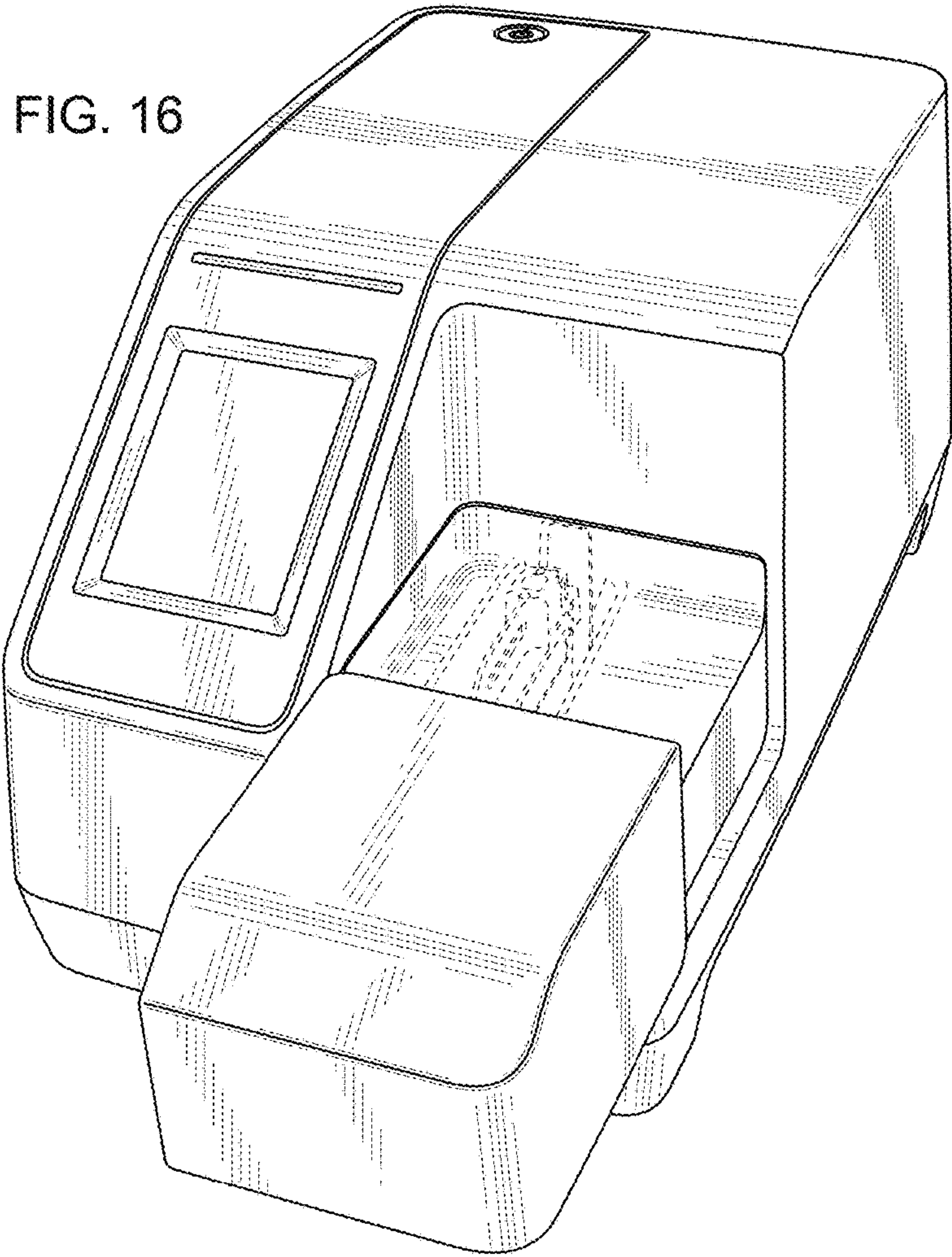


FIG. 16



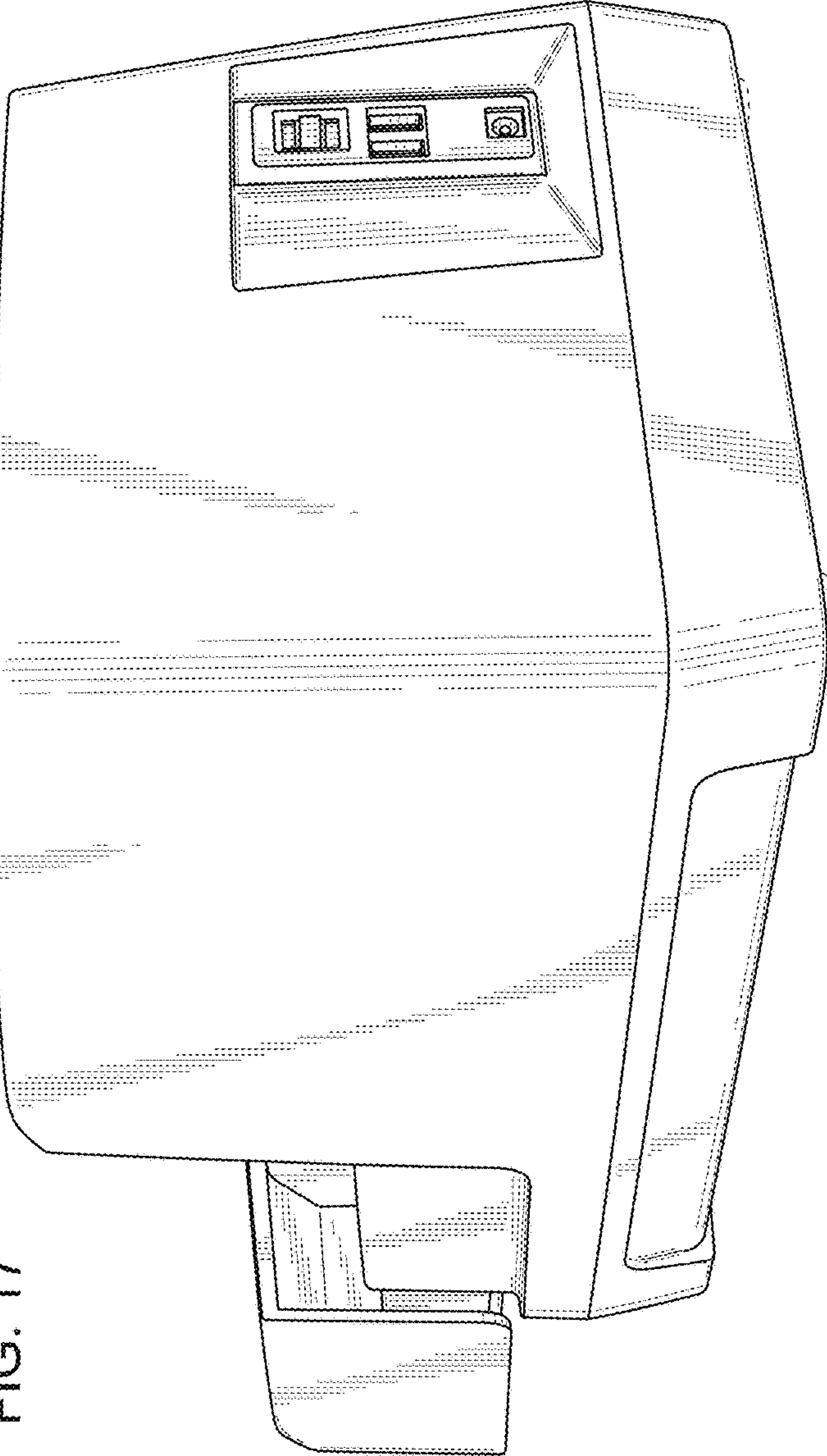


FIG. 17

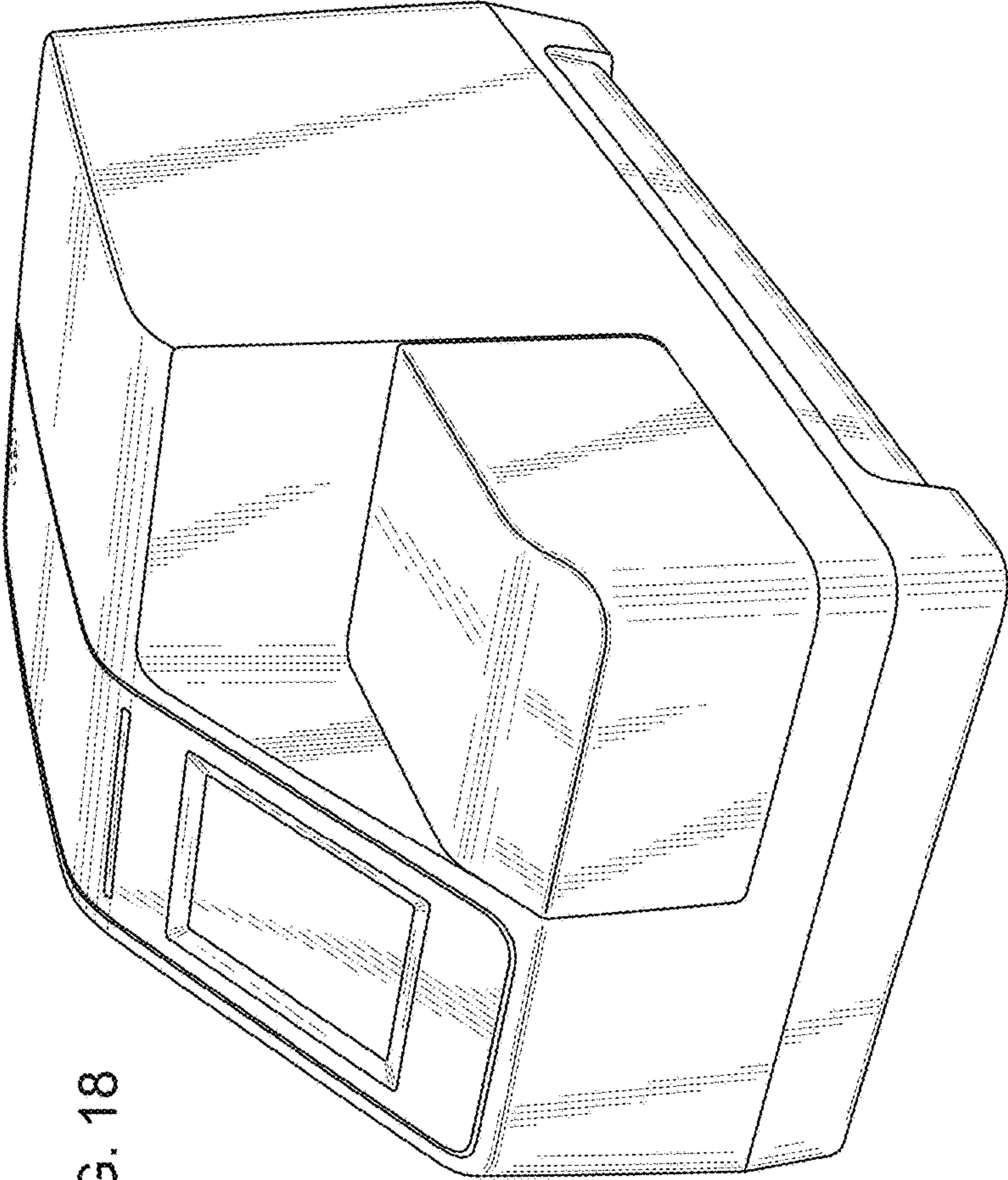


FIG. 18

FIG. 19

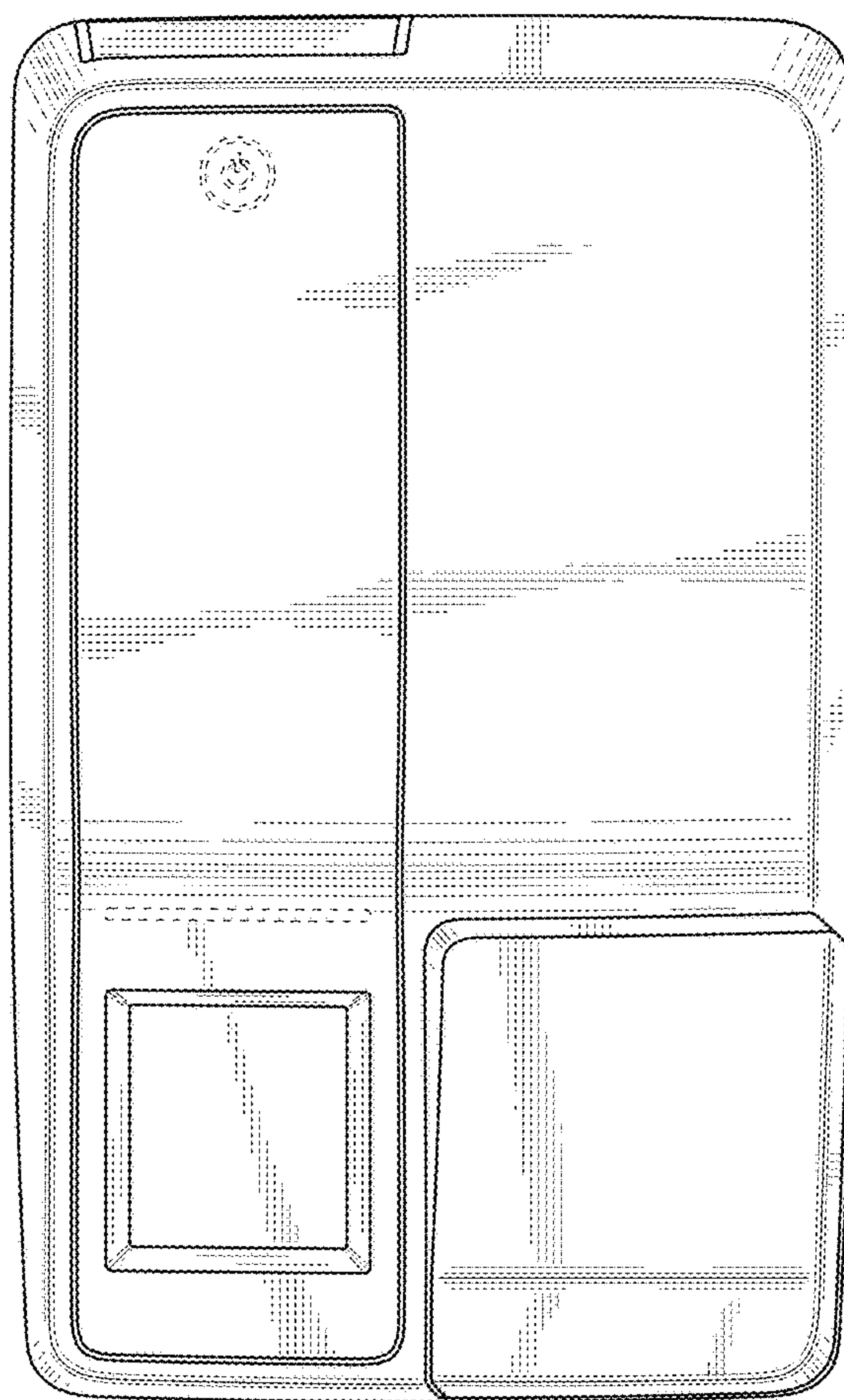
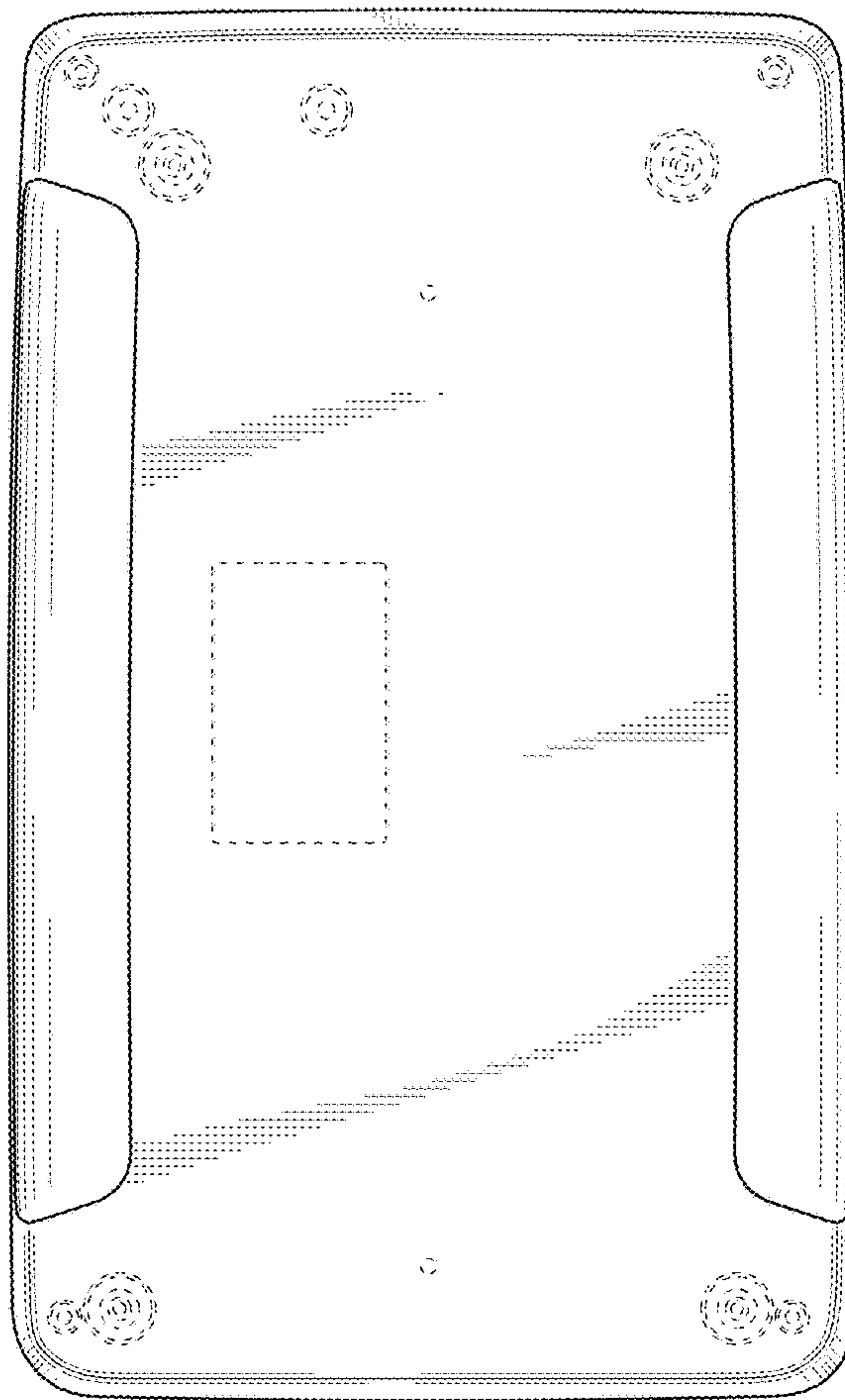


FIG. 20



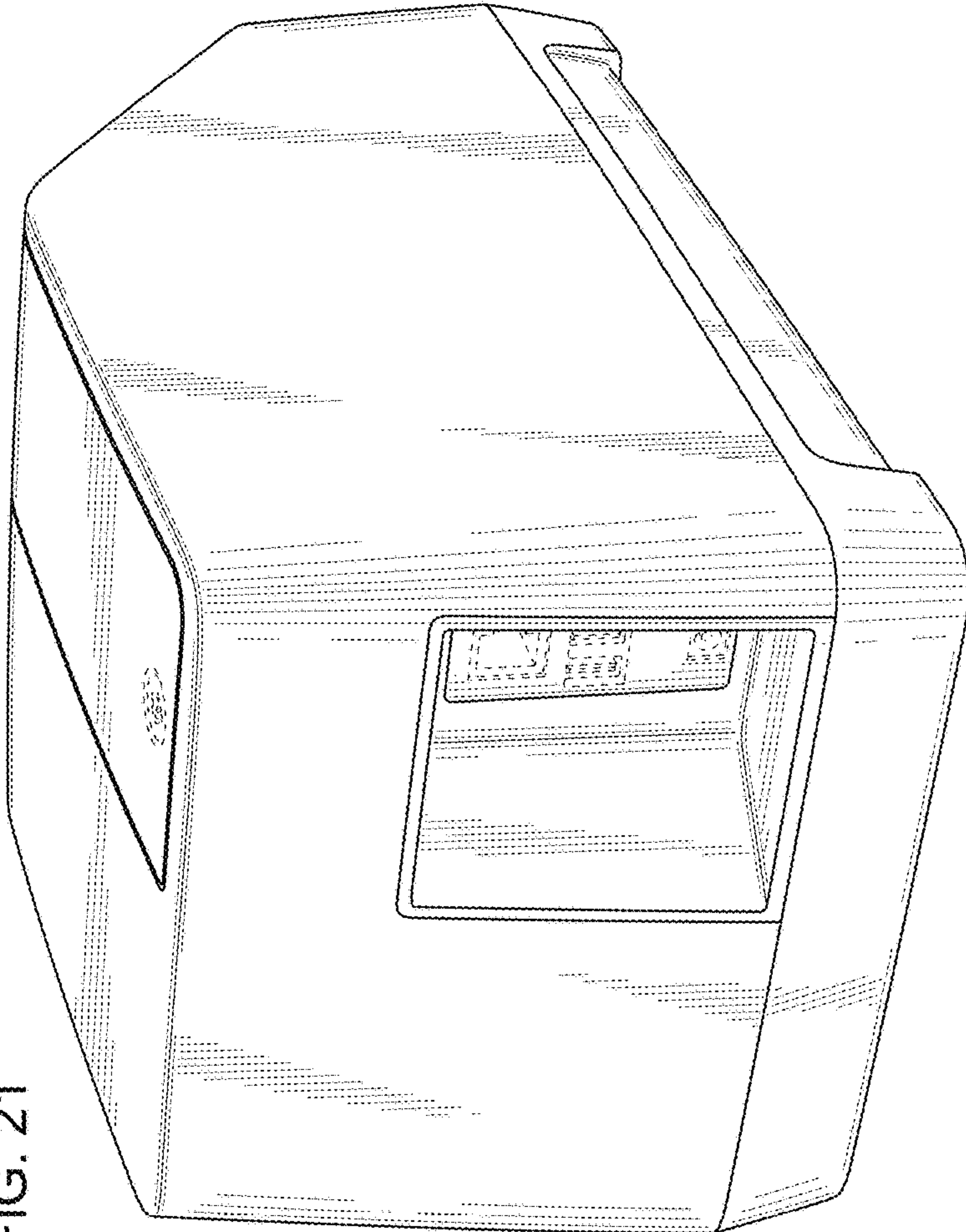


FIG. 21

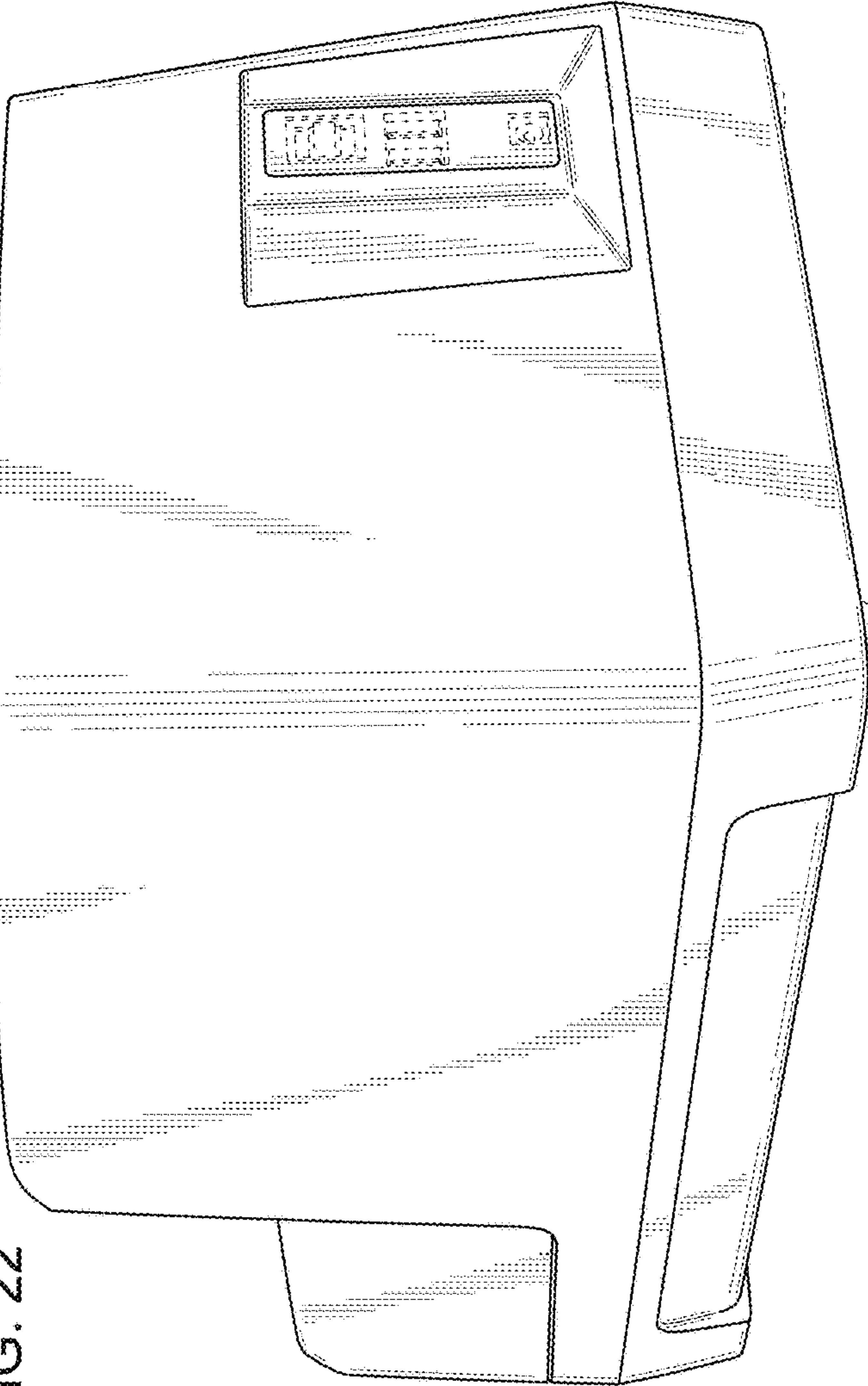
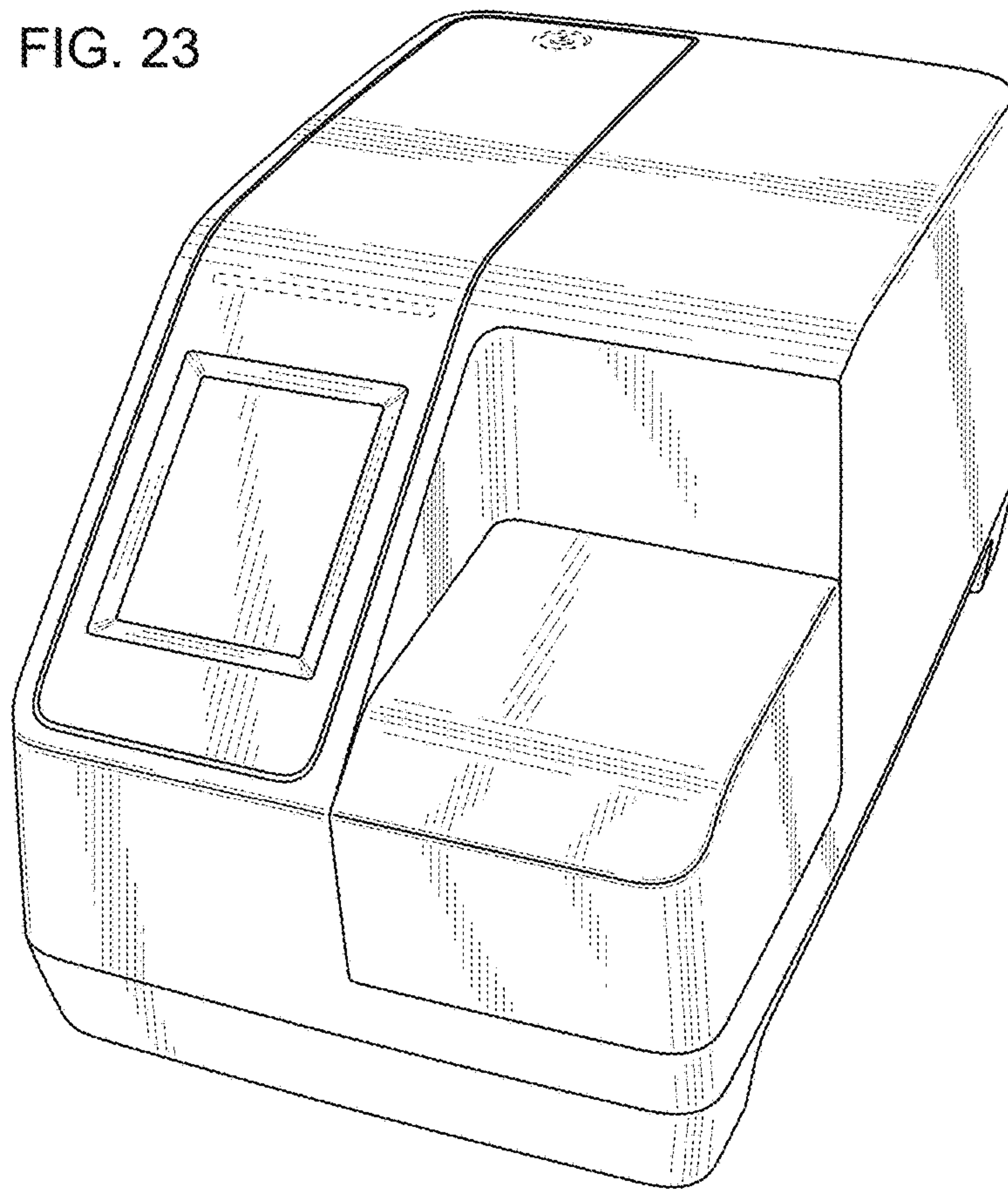


FIG. 22

FIG. 23



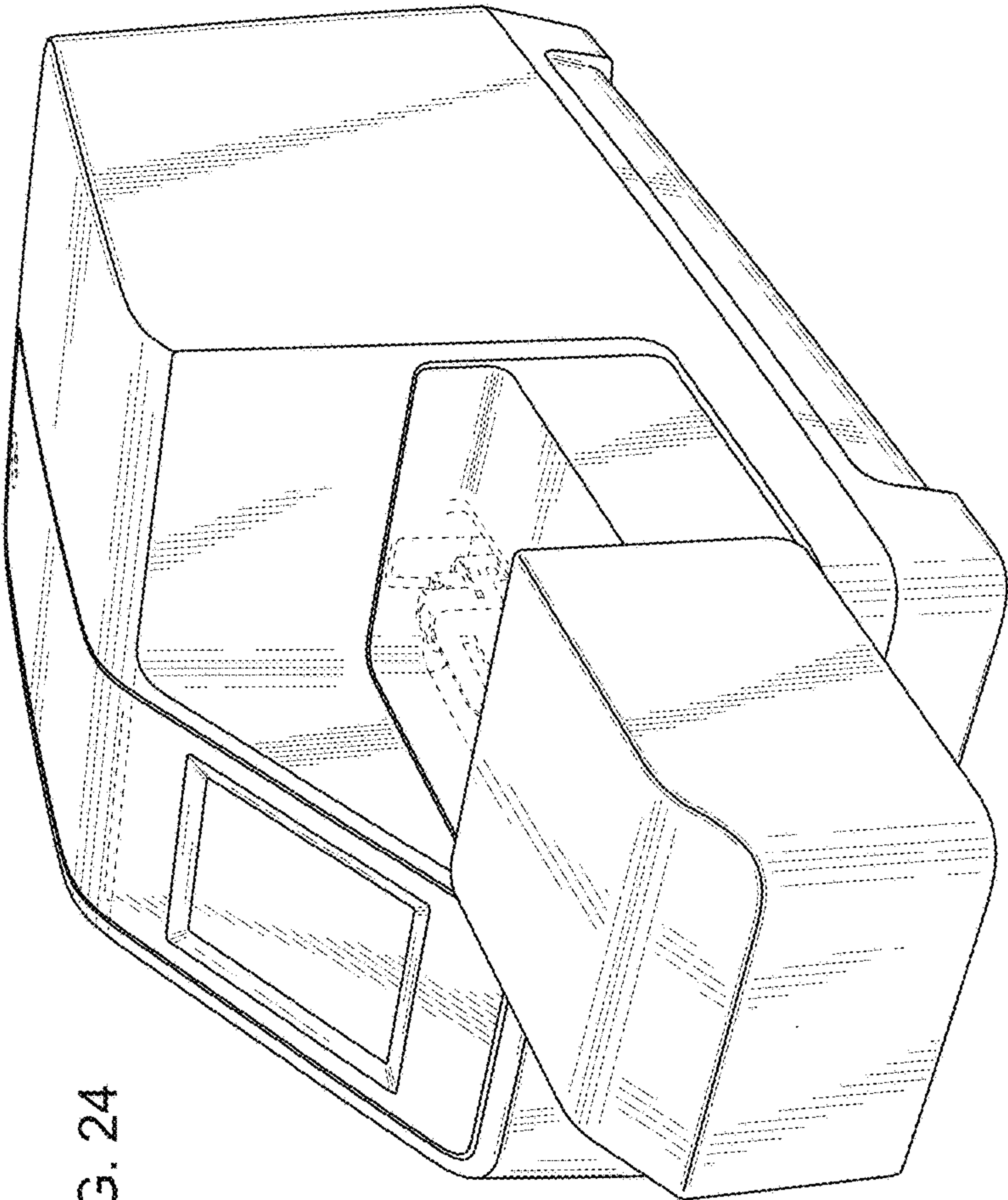


FIG. 24

FIG. 25

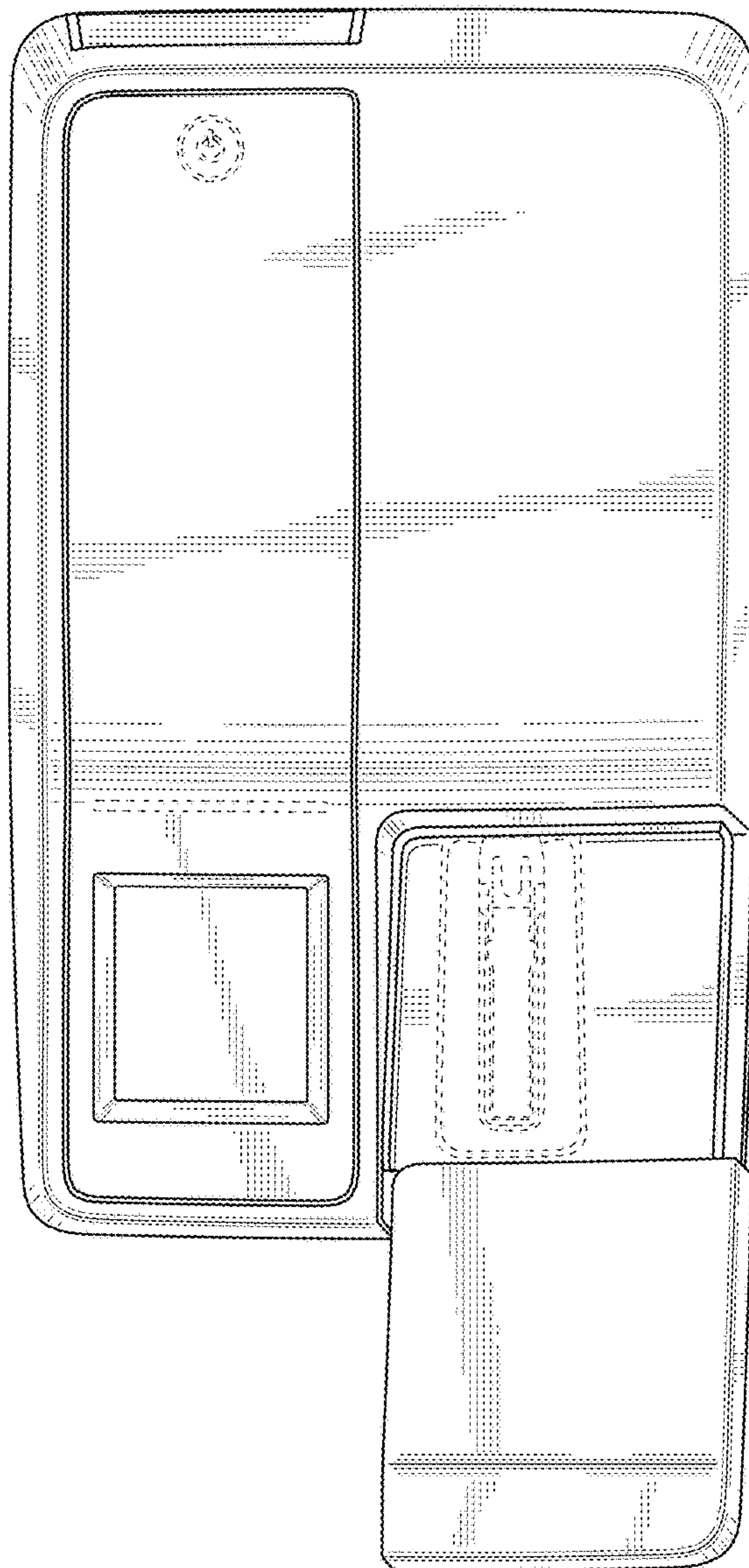


FIG. 26

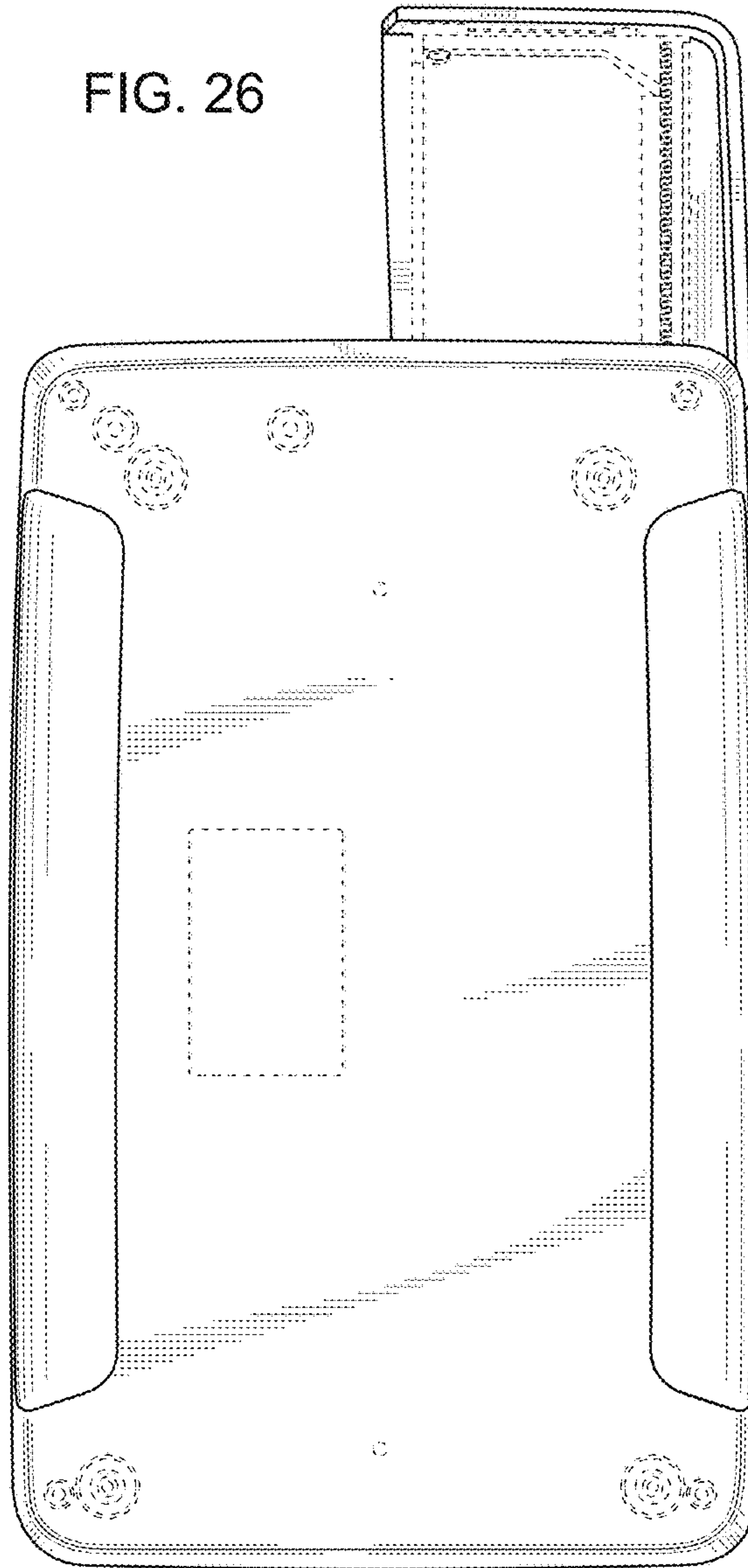
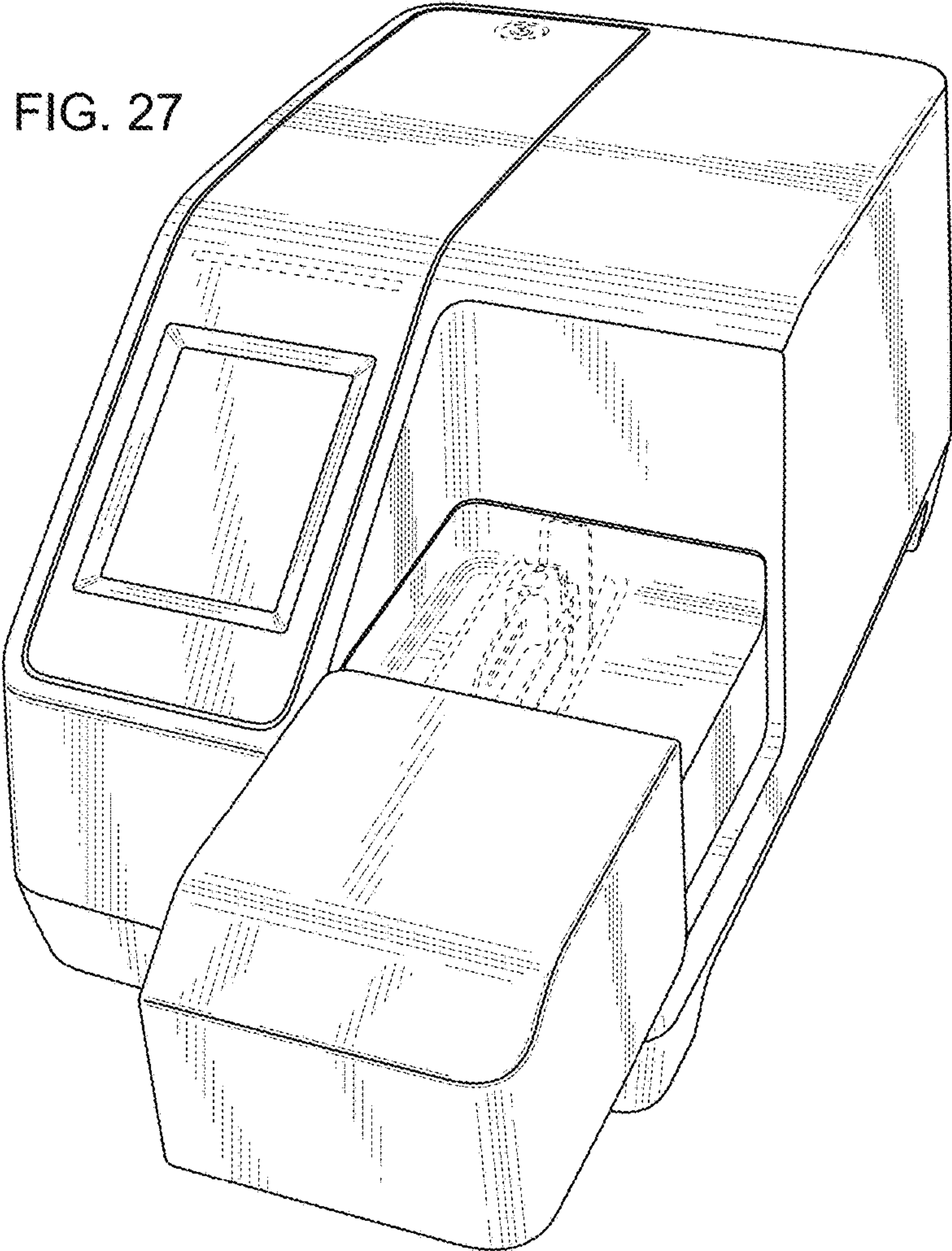


FIG. 27



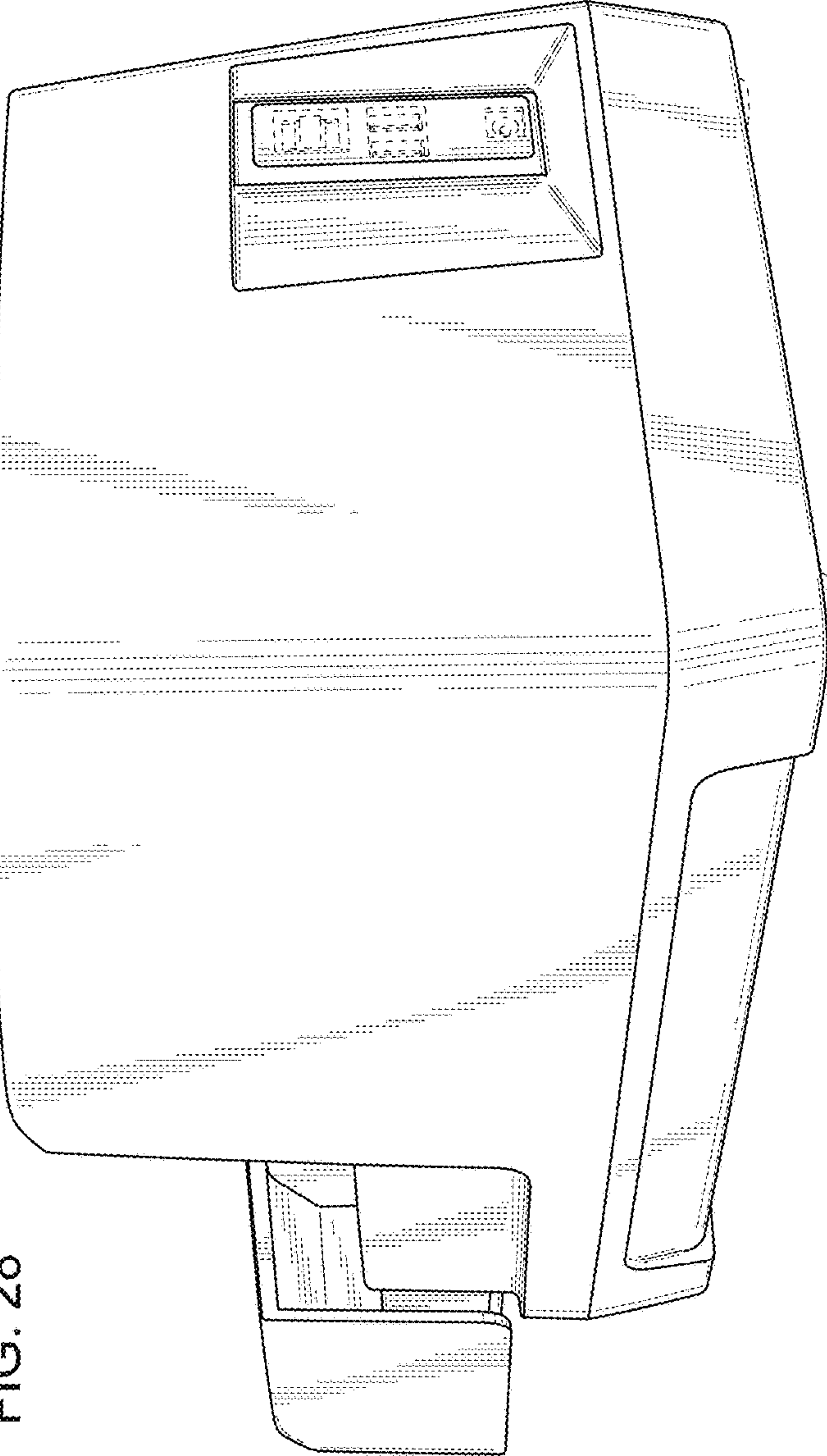


FIG. 28