



US00D854701S

(12) **United States Design Patent**  
**Topolev**

(10) **Patent No.:** **US D854,701 S**  
(45) **Date of Patent:** **\*\* Jul. 23, 2019**

(54) **MASSAGING DEVICE**

(71) Applicant: **Sergei E. Topolev**, St. Petersburg (RU)

(72) Inventor: **Sergei E. Topolev**, St. Petersburg (RU)

(\*\*) Term: **15 Years**

(21) Appl. No.: **29/592,169**

(22) Filed: **Jan. 27, 2017**

(30) **Foreign Application Priority Data**

Jul. 28, 2016 (RU) ..... 2016502923

(51) **LOC (11) Cl.** ..... **28-03**

(52) **U.S. Cl.**  
USPC ..... **D24/215**

(58) **Field of Classification Search**  
USPC .. 601/15, 18, 19, 27, 28-32, 46, 47, 48, 52,  
601/99, 112, 113, 118, 135, 137, DIG. 12,  
601/DIG. 14, DIG. 15, DIG. 16, DIG. 17;  
D24/200, 211, 212, 213, 214, 215;  
D30/160; 600/38, 39  
CPC ..... A61H 19/34; A61H 19/40; A61H 19/44;  
A61H 19/50  
See application file for complete search history.

(56) **References Cited**

**U.S. PATENT DOCUMENTS**

D447,809 S \* 9/2001 Gladieux, III ..... D24/211  
D574,504 S \* 8/2008 Imboden ..... D24/215  
D603,052 S \* 10/2009 Bauer ..... D24/214

(Continued)

*Primary Examiner* — Cynthia Ramirez

*Assistant Examiner* — Michael A Maharajh

(74) *Attorney, Agent, or Firm* — Arent Fox LLP; Michael Fainberg

(57) **CLAIM**

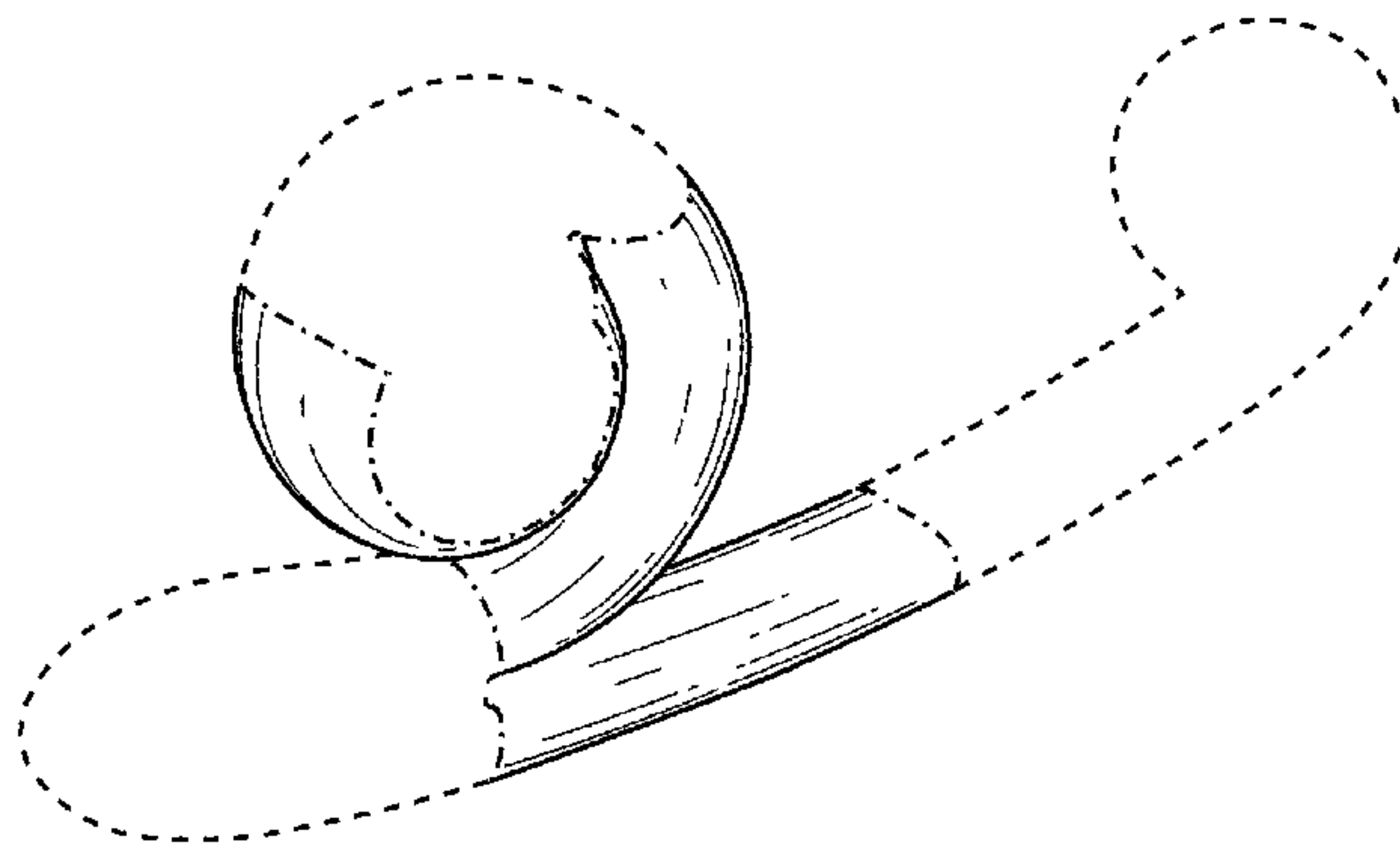
The ornamental design for a massaging device, as shown and described.

**DESCRIPTION**

FIG. 1 is a perspective view of the massaging device showing my new design;  
FIG. 2 is a right side view thereof;  
FIG. 3 is a left side view thereof;  
FIG. 4 is a top view thereof;  
FIG. 5 is a bottom view thereof;  
FIG. 6 is a front view thereof;  
FIG. 7 is a back view thereof;  
FIG. 8 is another perspective view showing a second embodiment of the massaging device;  
FIG. 9 is a right side view thereof;  
FIG. 10 is a left side view thereof;  
FIG. 11 is a top view thereof;  
FIG. 12 is a bottom view thereof;  
FIG. 13 is a front view thereof;  
FIG. 14 is a back view thereof;  
FIG. 15 is another perspective view showing a third embodiment of the massaging device;  
FIG. 16 is a right side view thereof;  
FIG. 17 is a left side view thereof;  
FIG. 18 is a top view thereof;  
FIG. 19 is a bottom view thereof;  
FIG. 20 is a front view thereof;  
FIG. 21 is a back view thereof;  
FIG. 22 is another perspective view showing a fourth embodiment of the massaging device;  
FIG. 23 is a right side view thereof;  
FIG. 24 is a left side view thereof;  
FIG. 25 is a top view thereof;  
FIG. 26 is a bottom view thereof;  
FIG. 27 is a front view thereof; and,  
FIG. 28 is a back view thereof.

The dash broken lines shown in the drawings are for purpose of illustrating environmental structure, which form no part of the claimed design. The dot-dashed lines are directed to boundary lines, which form no part of the claimed design.

**1 Claim, 28 Drawing Sheets**



(56)

## References Cited

## U.S. PATENT DOCUMENTS

D604,425	S	*	11/2009	Stewart	.....	D24/214
D605,779	S	*	12/2009	Murison	.....	D24/215
D606,208	S	*	12/2009	Nan	.....	D24/215
D613,417	S	*	4/2010	Imboden	.....	D24/215
D637,308	S	*	5/2011	Imboden	.....	D24/215
D652,942	S	*	1/2012	Murison	.....	D24/215
D665,092	S	*	8/2012	Sedic	.....	D24/215
D665,094	S	*	8/2012	Sedic	.....	D24/215
D666,734	S	*	9/2012	Takashima	.....	D24/215
D698,456	S	*	1/2014	Zedaker	.....	D24/215
D700,347	S	*	2/2014	Sedic	.....	D24/215
D702,363	S	*	4/2014	Tai	.....	D24/215
D712,054	S	*	8/2014	Tai	.....	A61H 19/40 D24/215
D712,059	S	*	8/2014	Sedic	.....	D24/215
D714,953	S	*	10/2014	Marshall	.....	D24/215
D723,179	S	*	2/2015	Elliott	.....	D24/215
D727,524	S	*	4/2015	Qian	.....	D24/215
D727,525	S	*	4/2015	Qian	.....	D24/215
9,022,925	B2	*	5/2015	Nan	.....	A61H 19/34 600/38
D743,570	S	*	11/2015	Cheung	.....	D24/215
D758,604	S	*	6/2016	Brinberg	.....	D24/215
9,474,681	B2	*	10/2016	Sedic	.....	A61H 19/50
D771,828	S	*	11/2016	Sedic	.....	D24/215
D795,445	S	*	8/2017	Marshall	.....	D24/215
D795,446	S	*	8/2017	Marshall	.....	D24/215
D802,783	S	*	11/2017	Marshall	.....	D24/215
D818,142	S	*	5/2018	Cheung	.....	D24/215
D818,143	S	*	5/2018	Cheung	.....	D24/215
D818,144	S	*	5/2018	Cheung	.....	D24/215
D818,603	S	*	5/2018	Marshall	.....	D24/215

\* cited by examiner

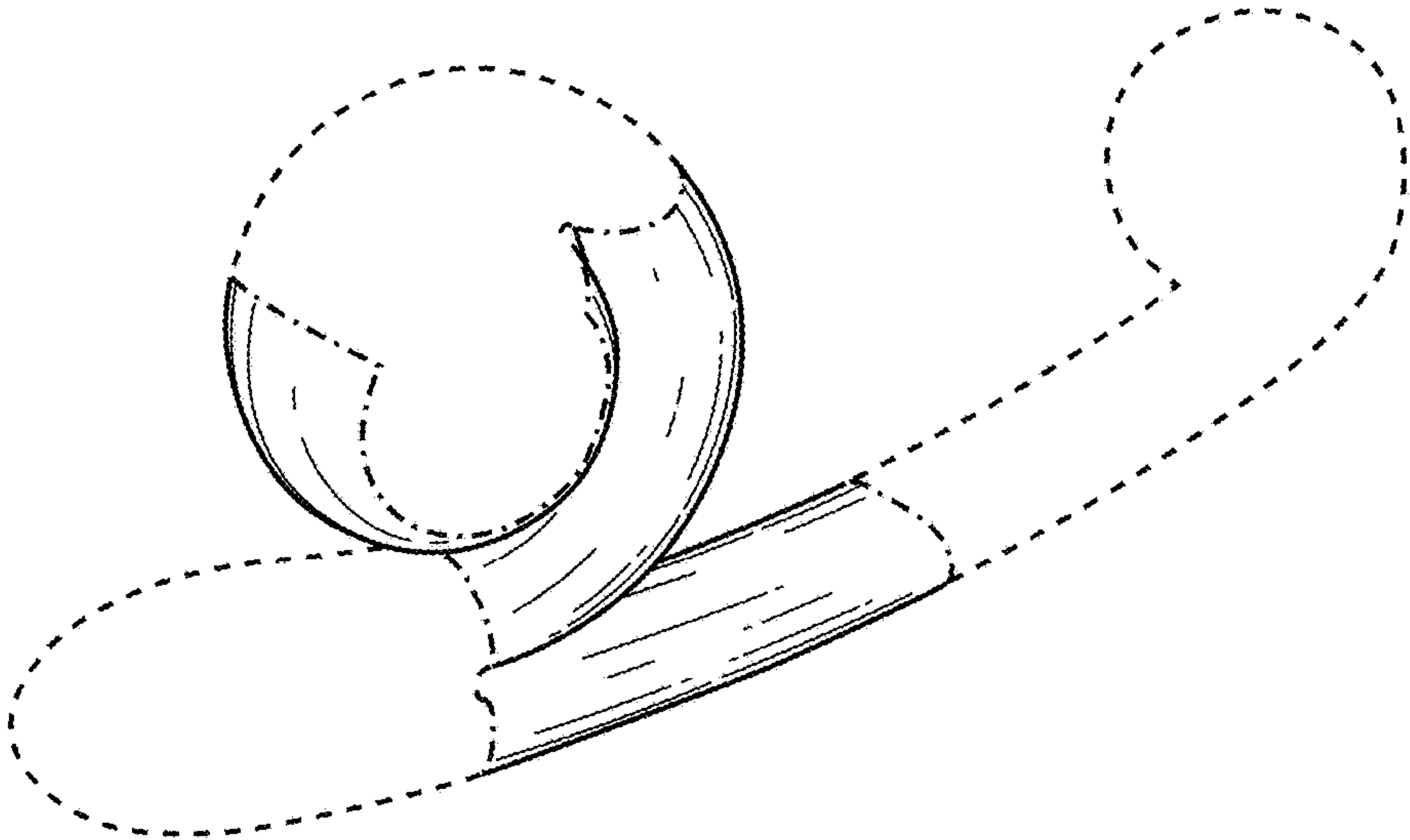


FIG.1

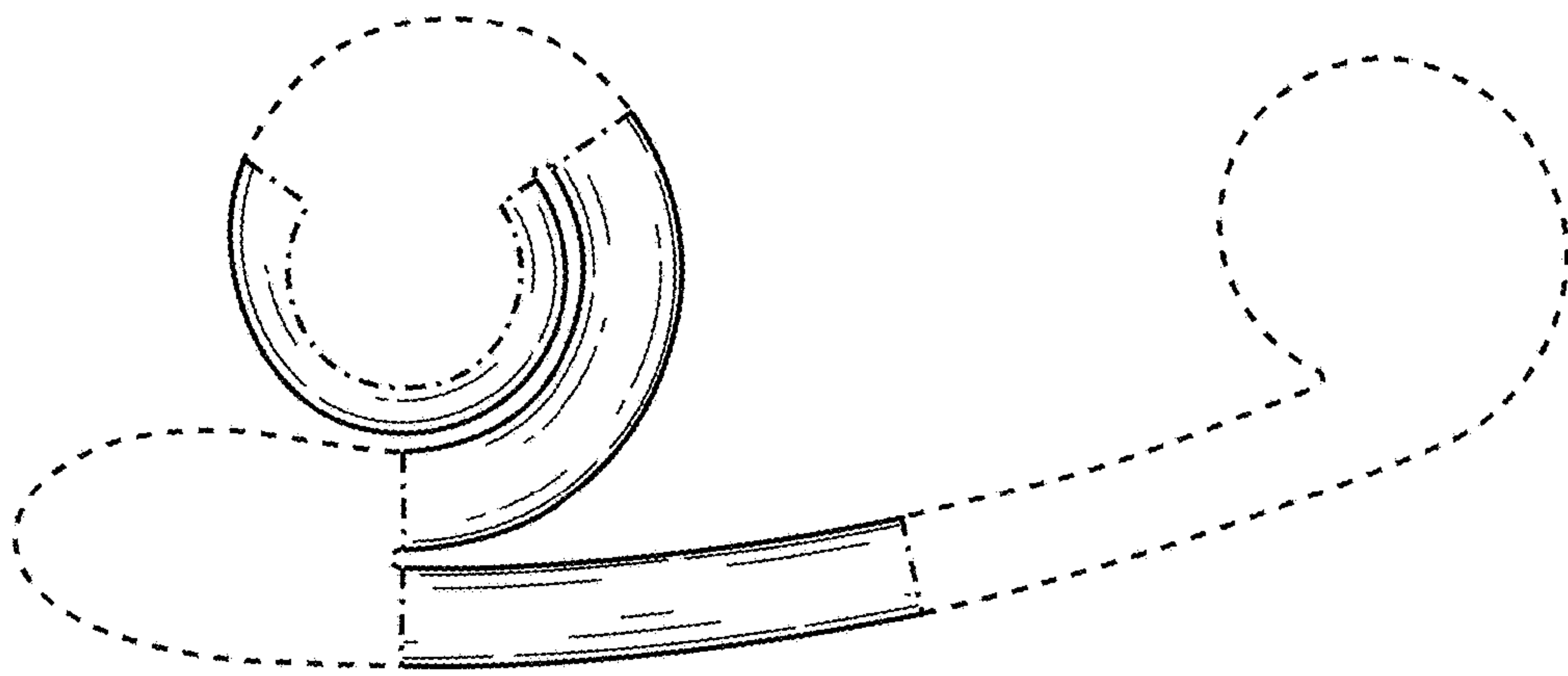


FIG.2

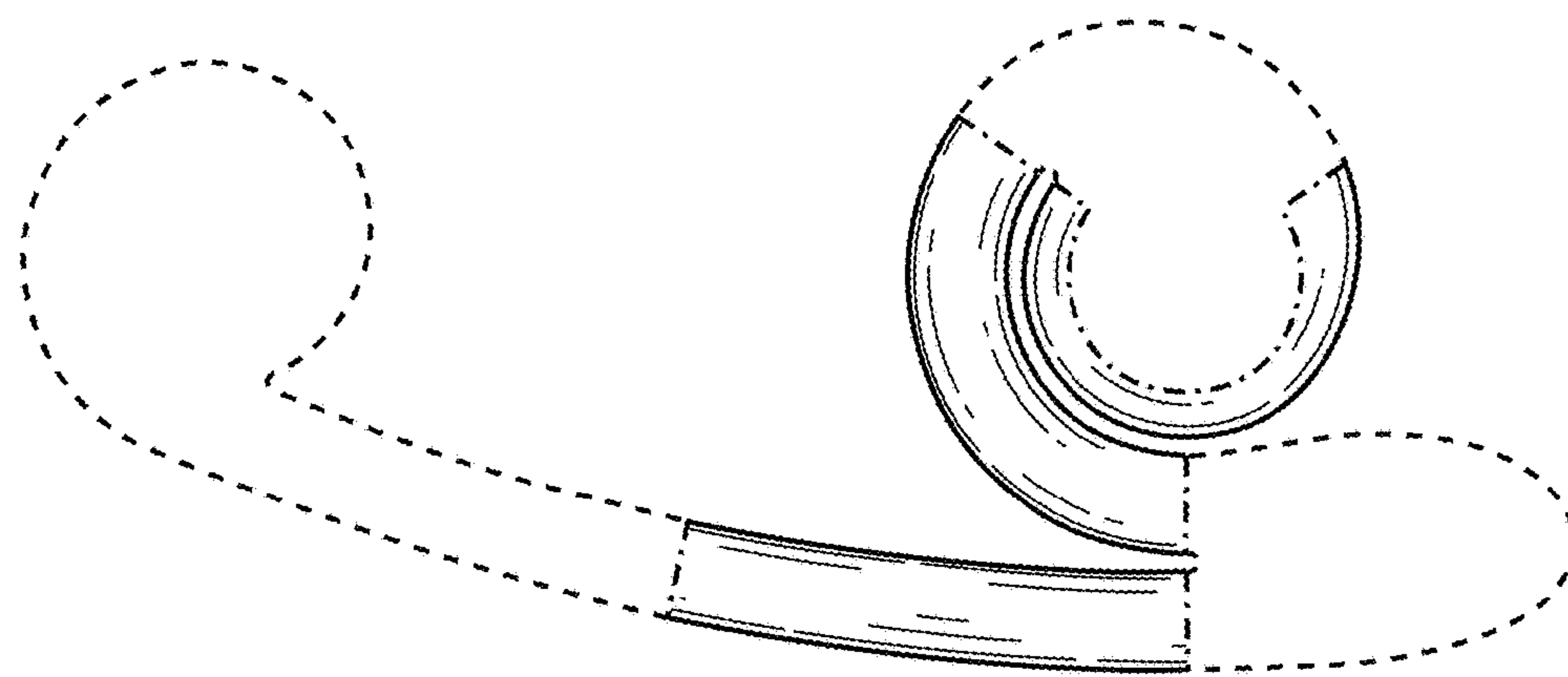


FIG.3

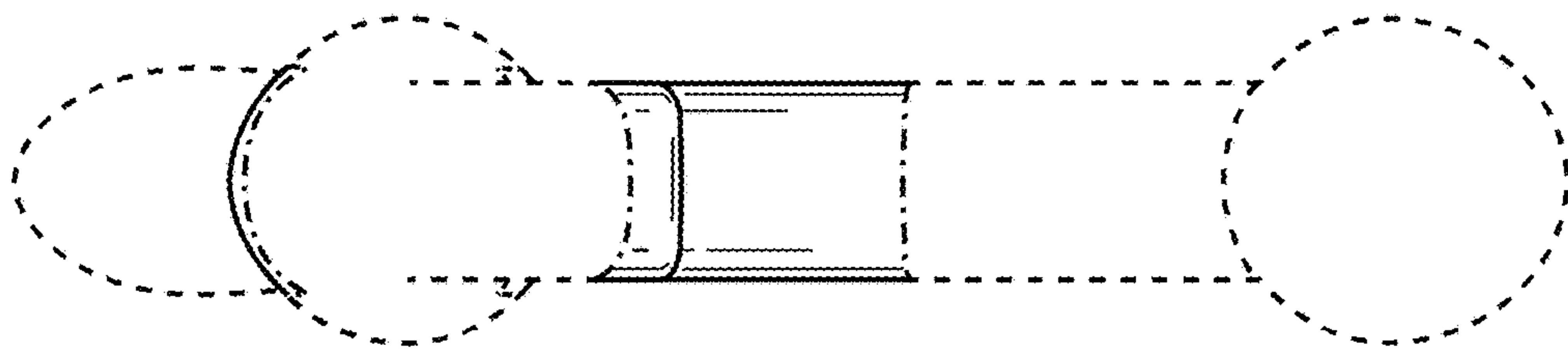


FIG.4

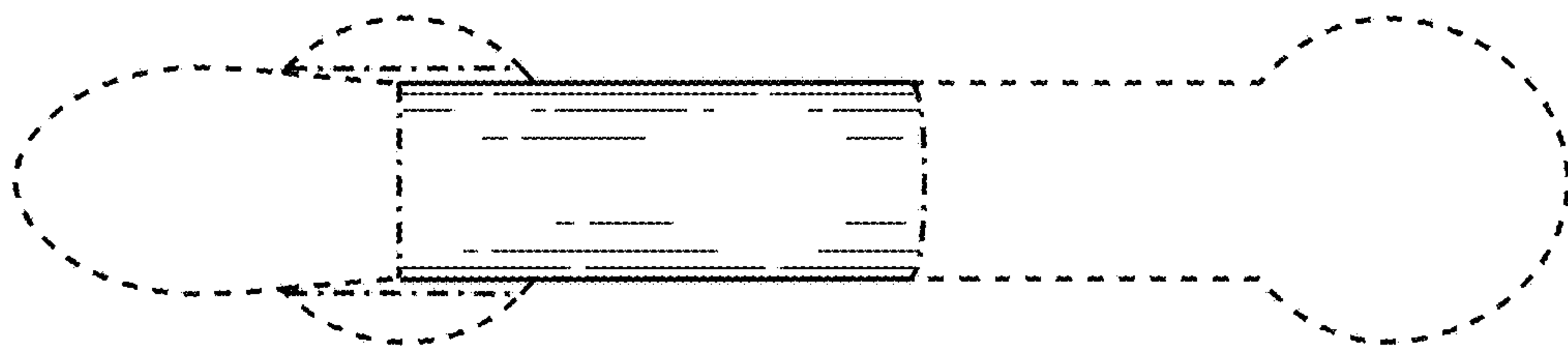


FIG.5

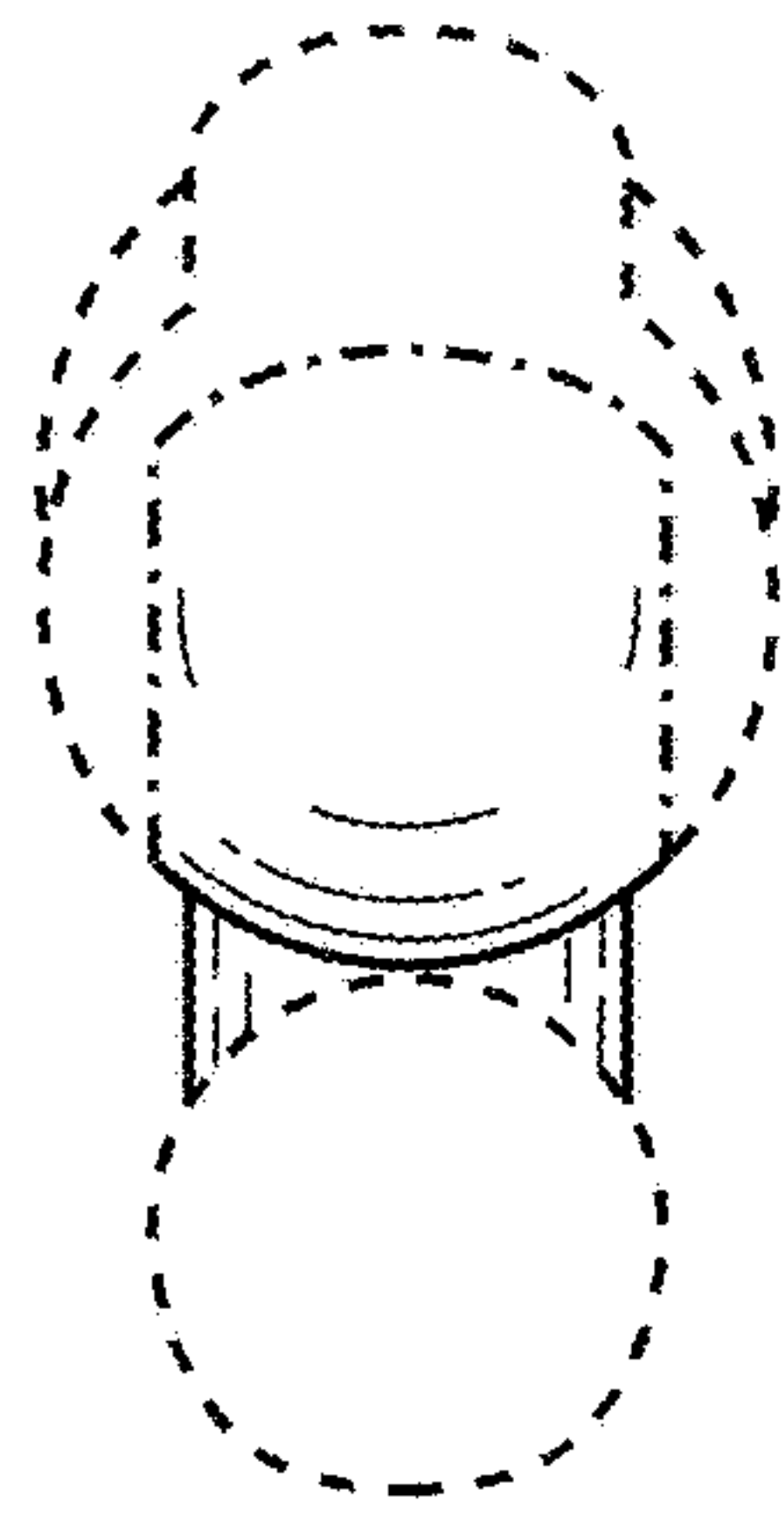


FIG.6





FIG.7

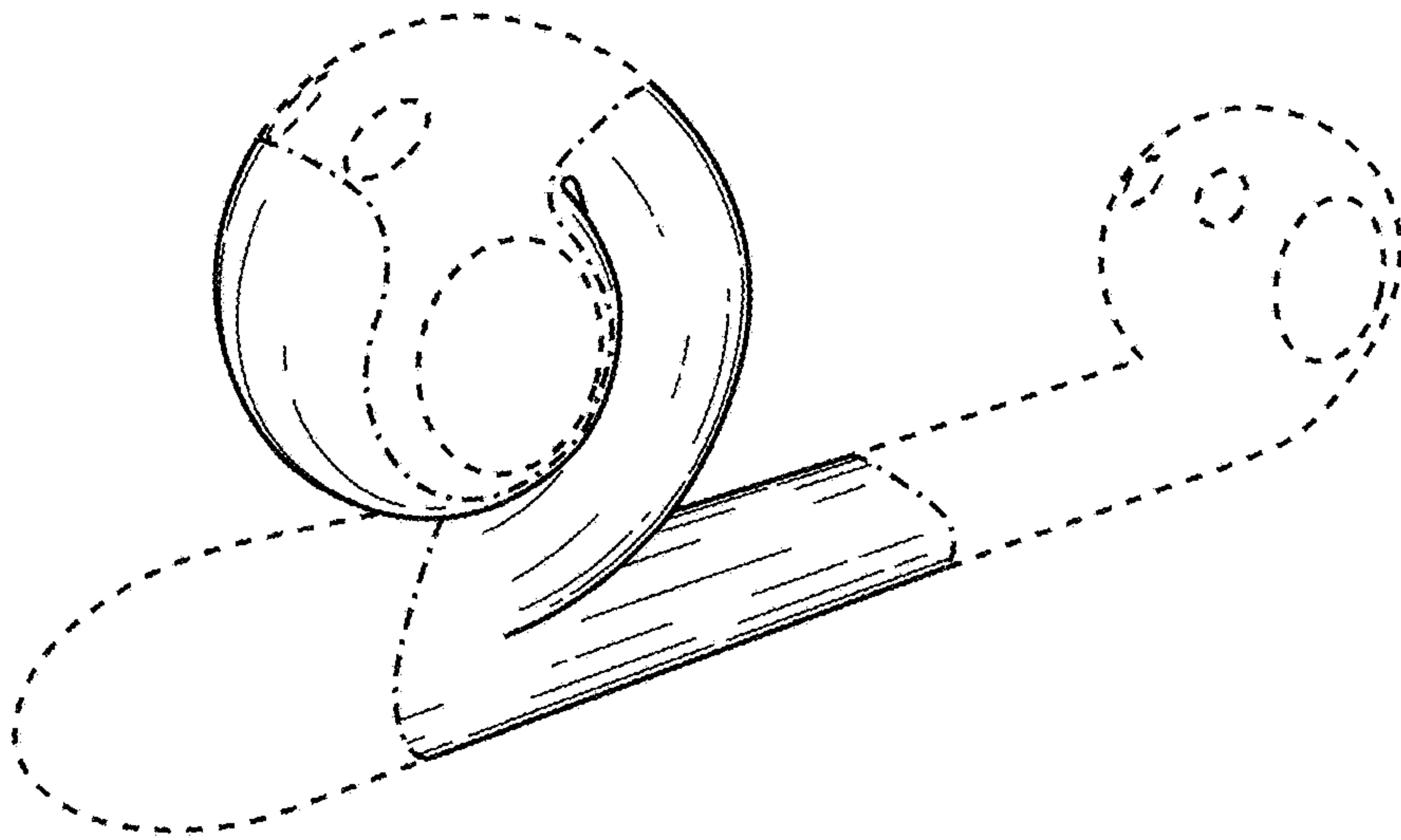


FIG. 8

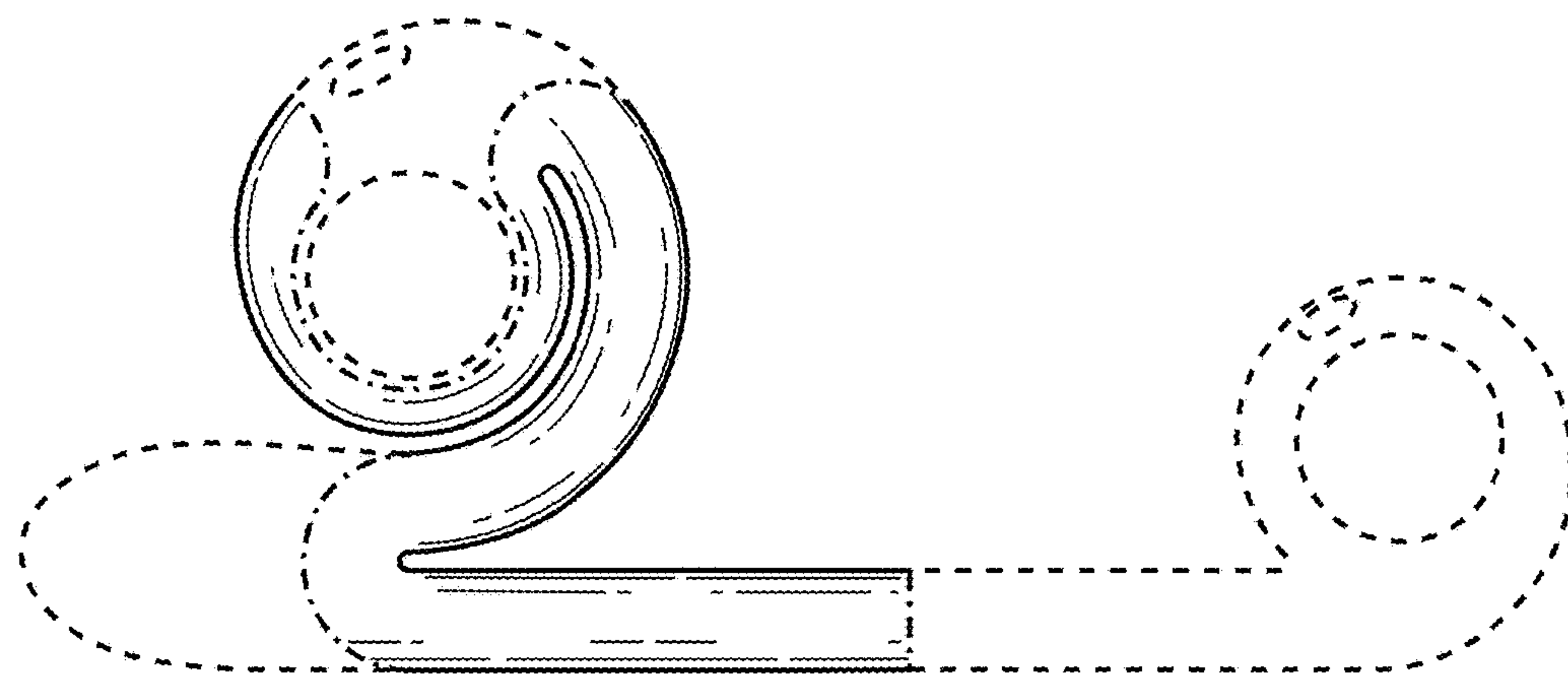


FIG.9

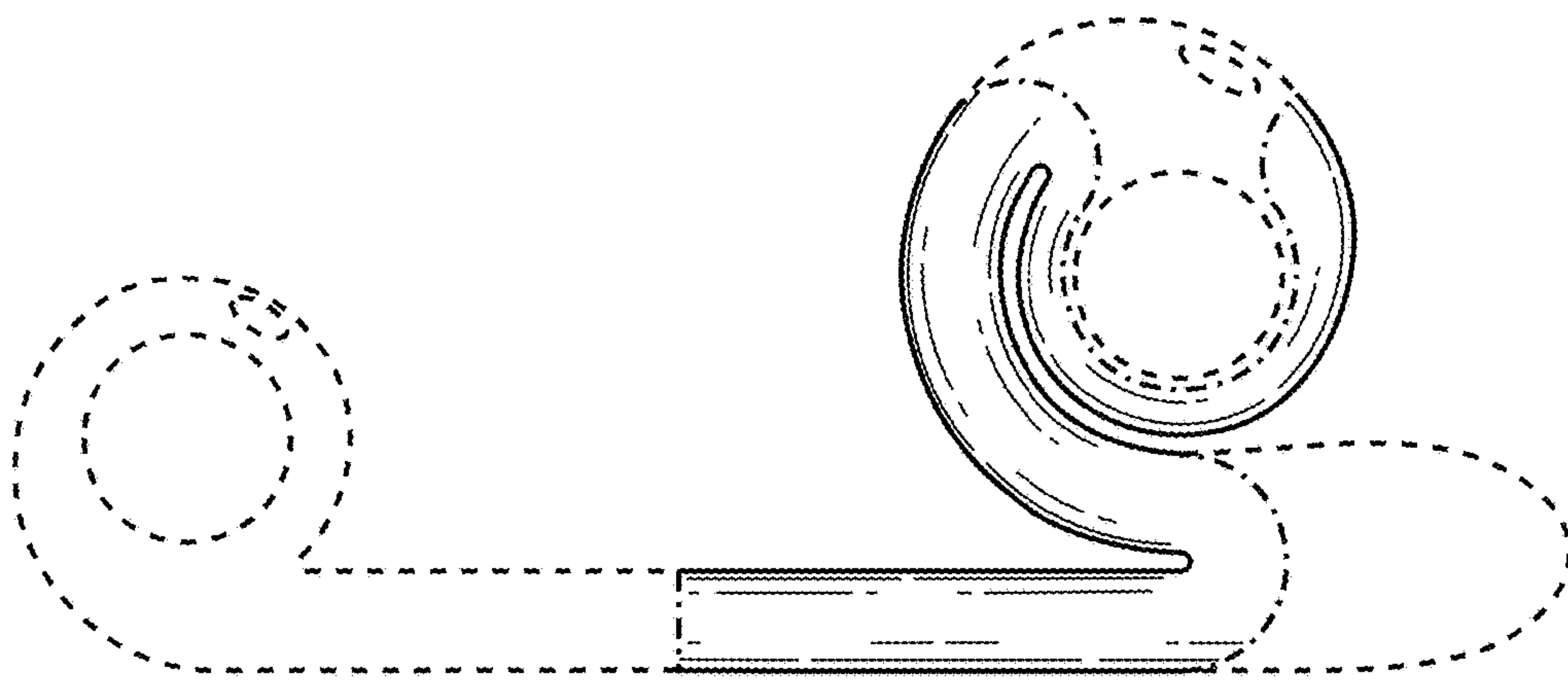


FIG.10

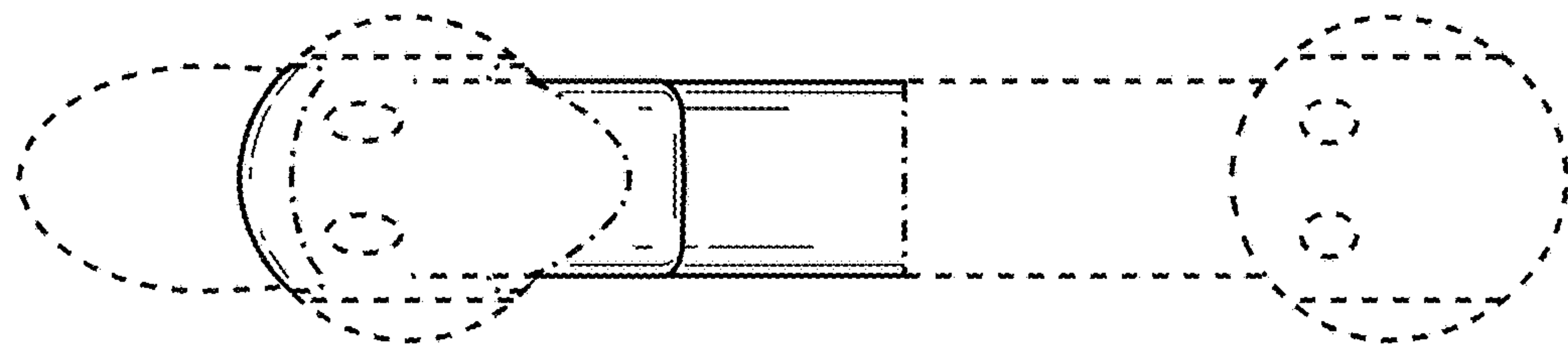


FIG.11

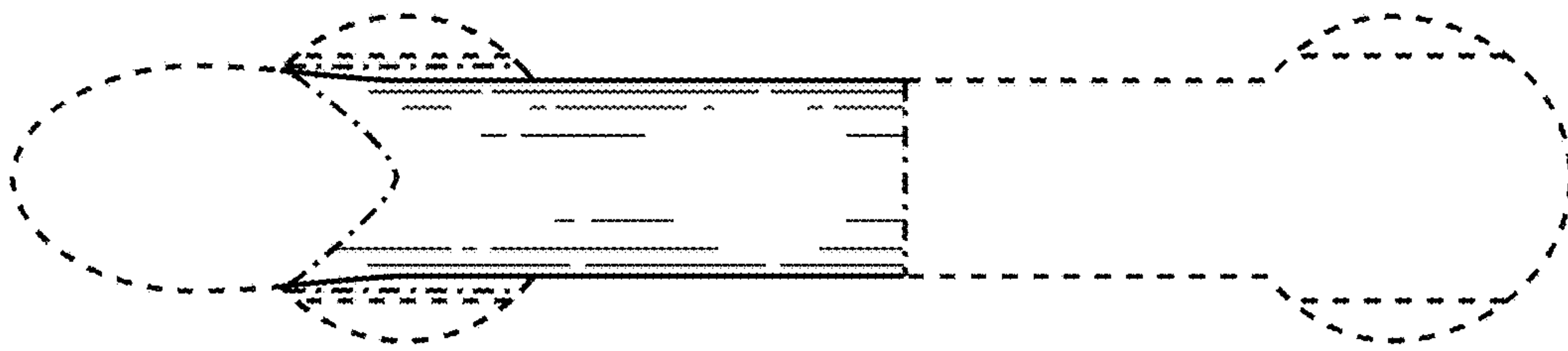


FIG.12

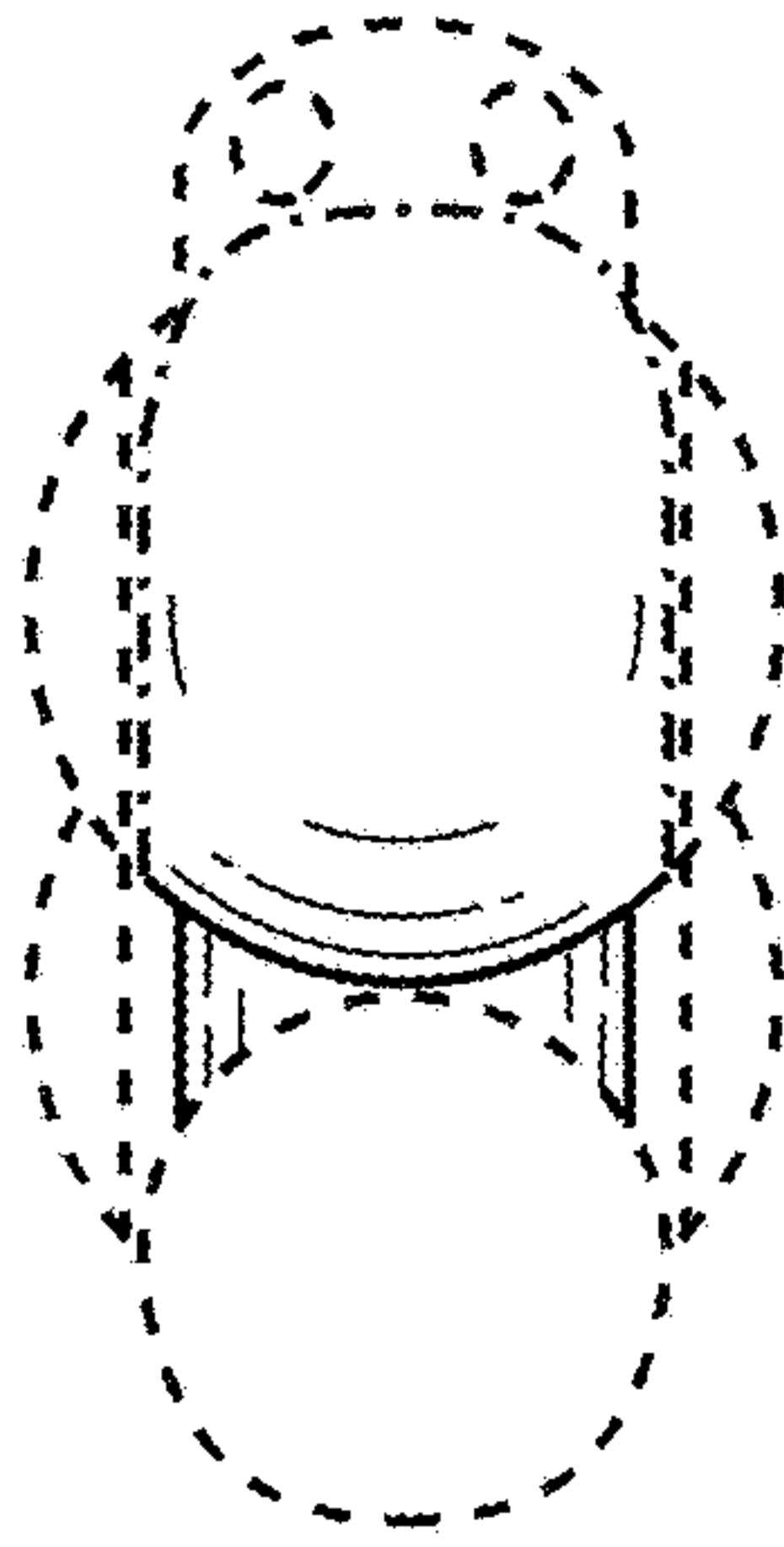


FIG. 13

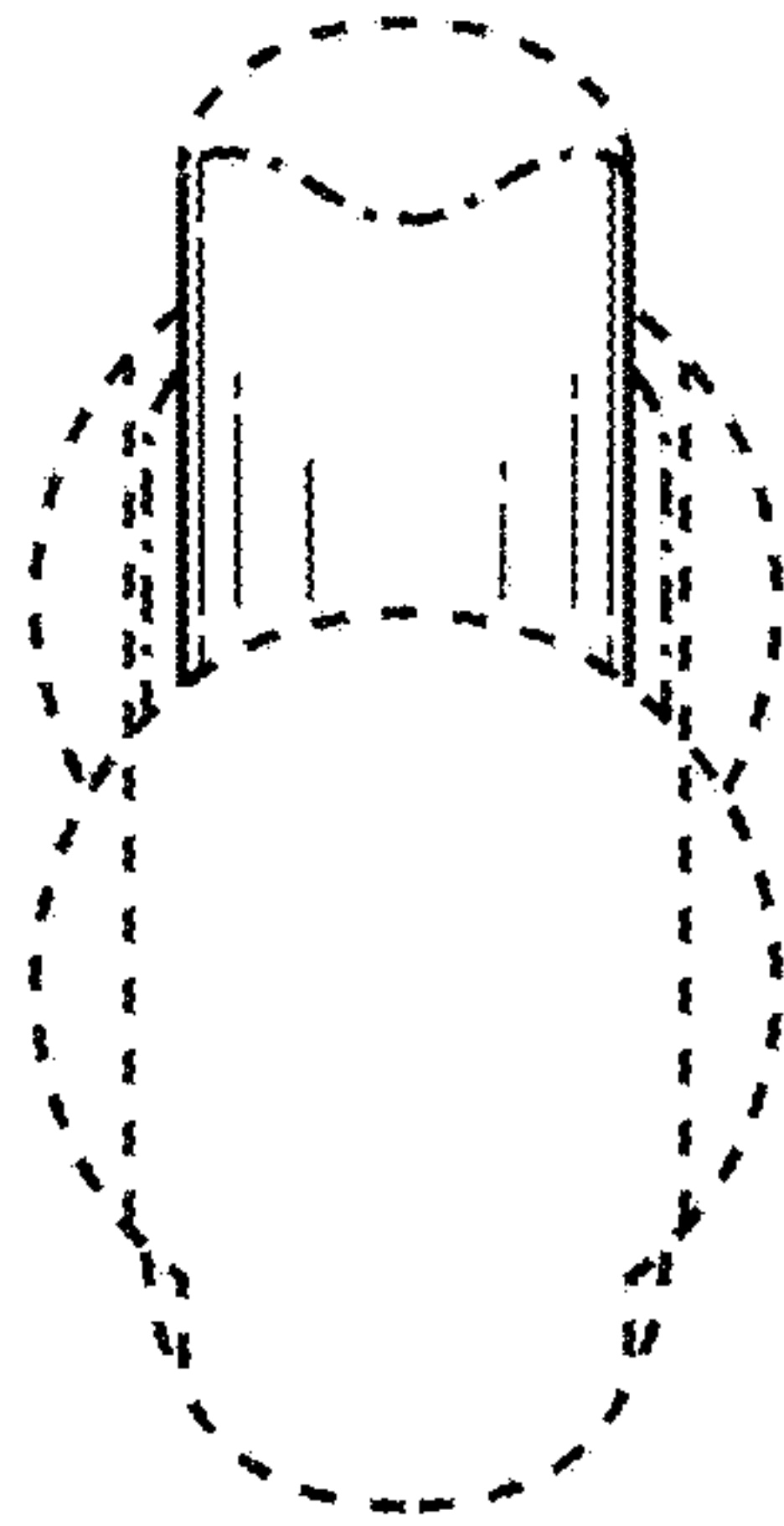


FIG.14



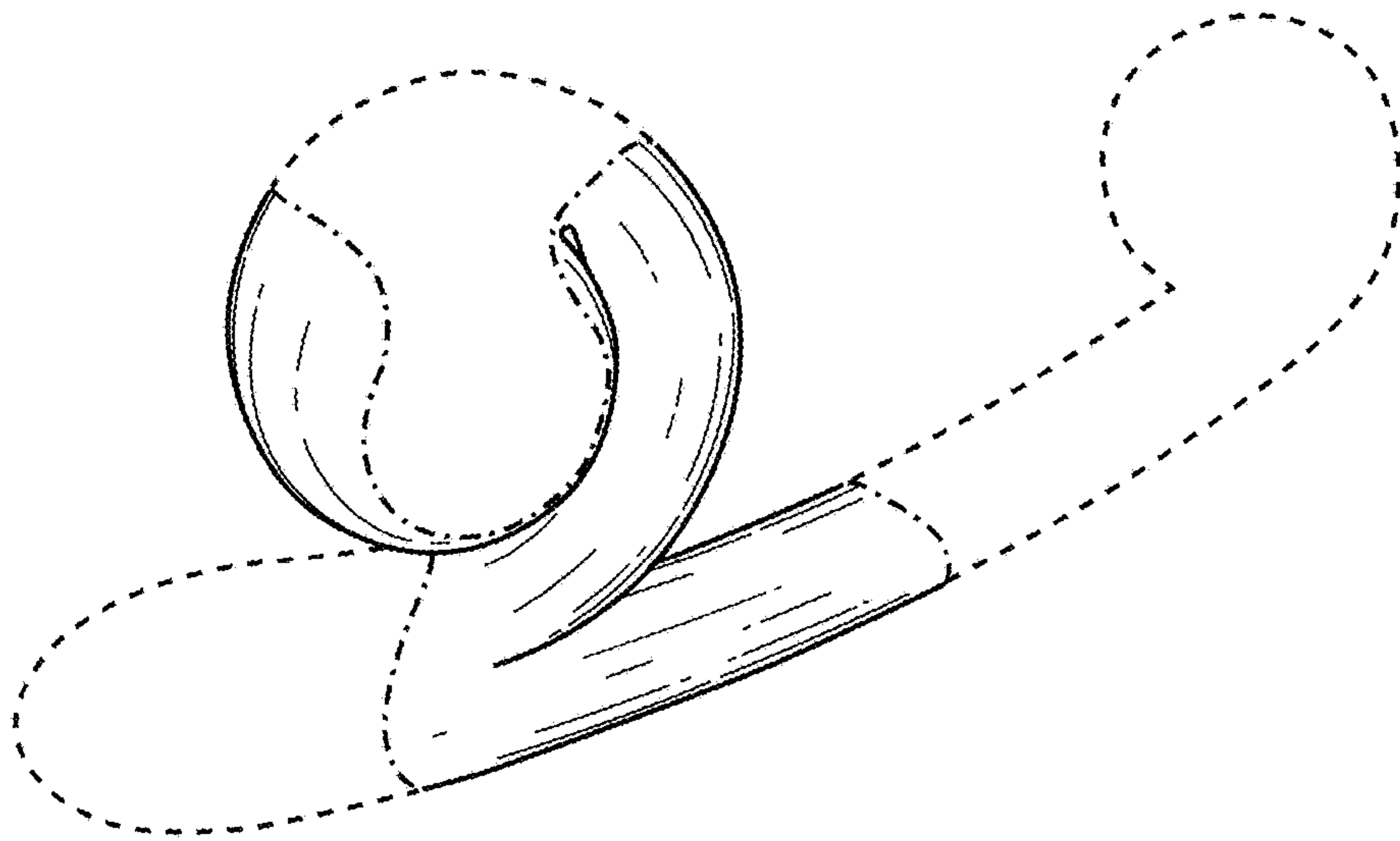


FIG.15

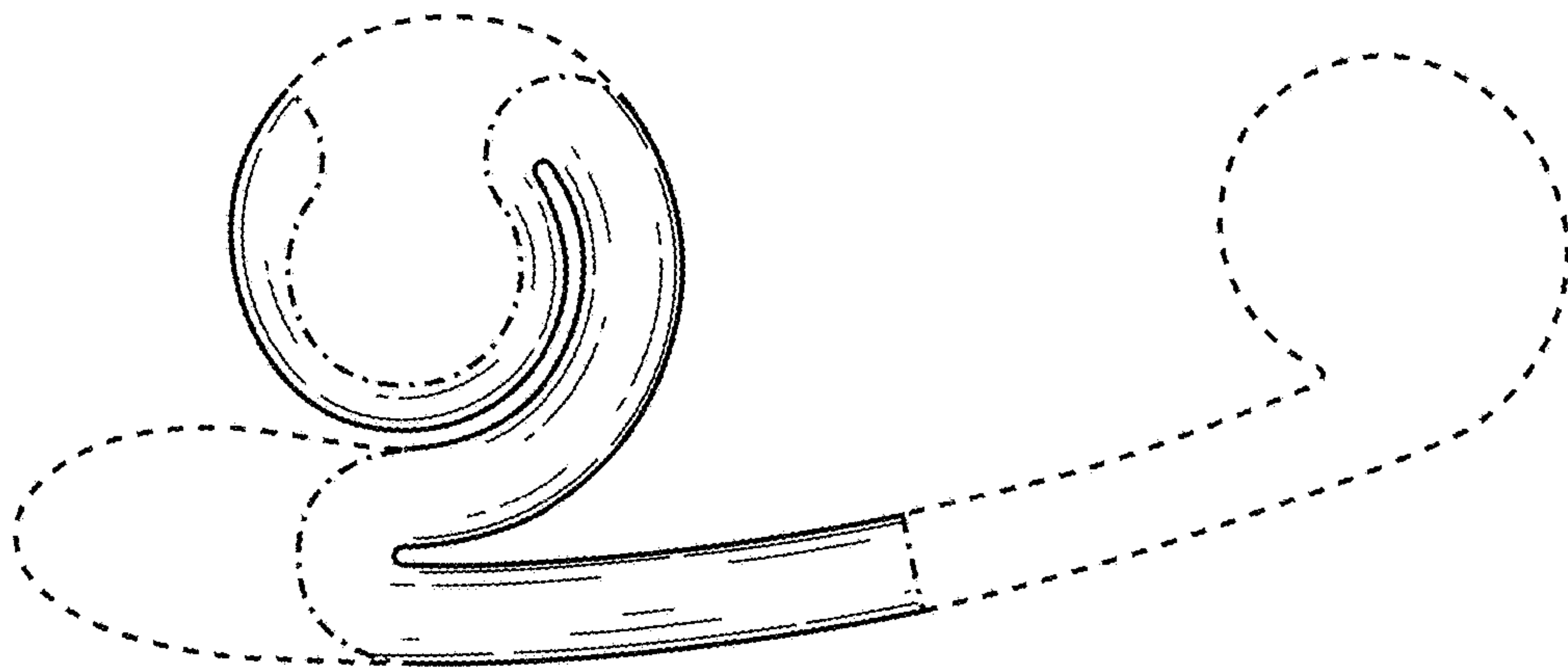


FIG.16

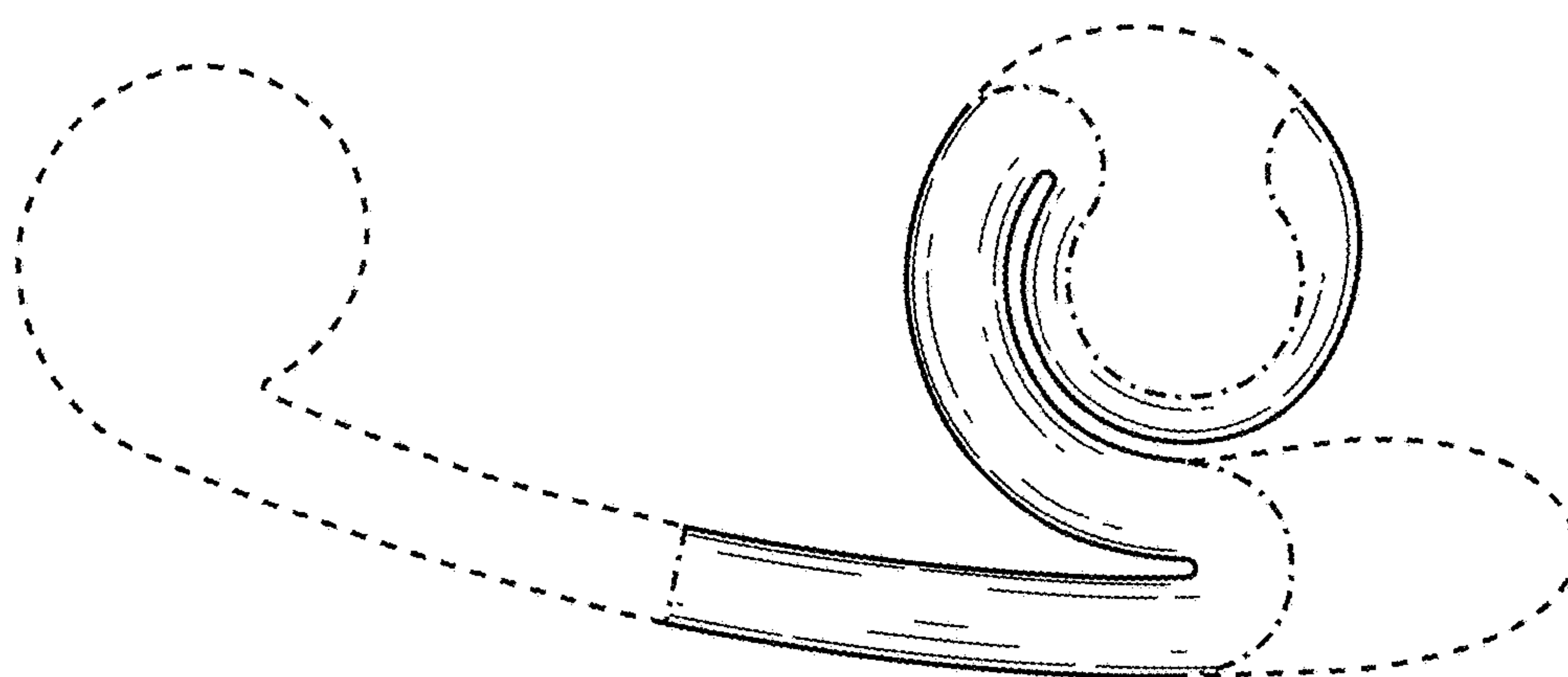


FIG.17

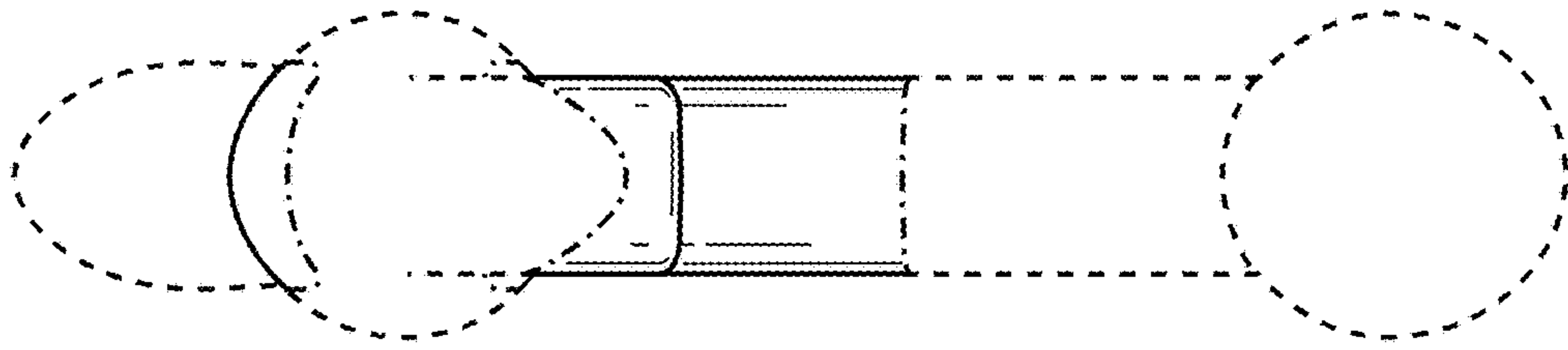


FIG.18

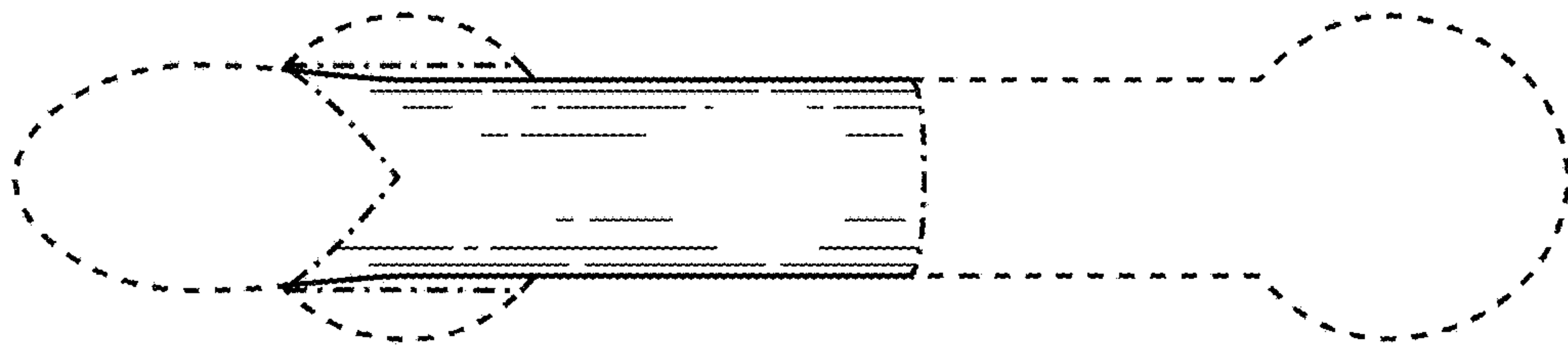


FIG. 19

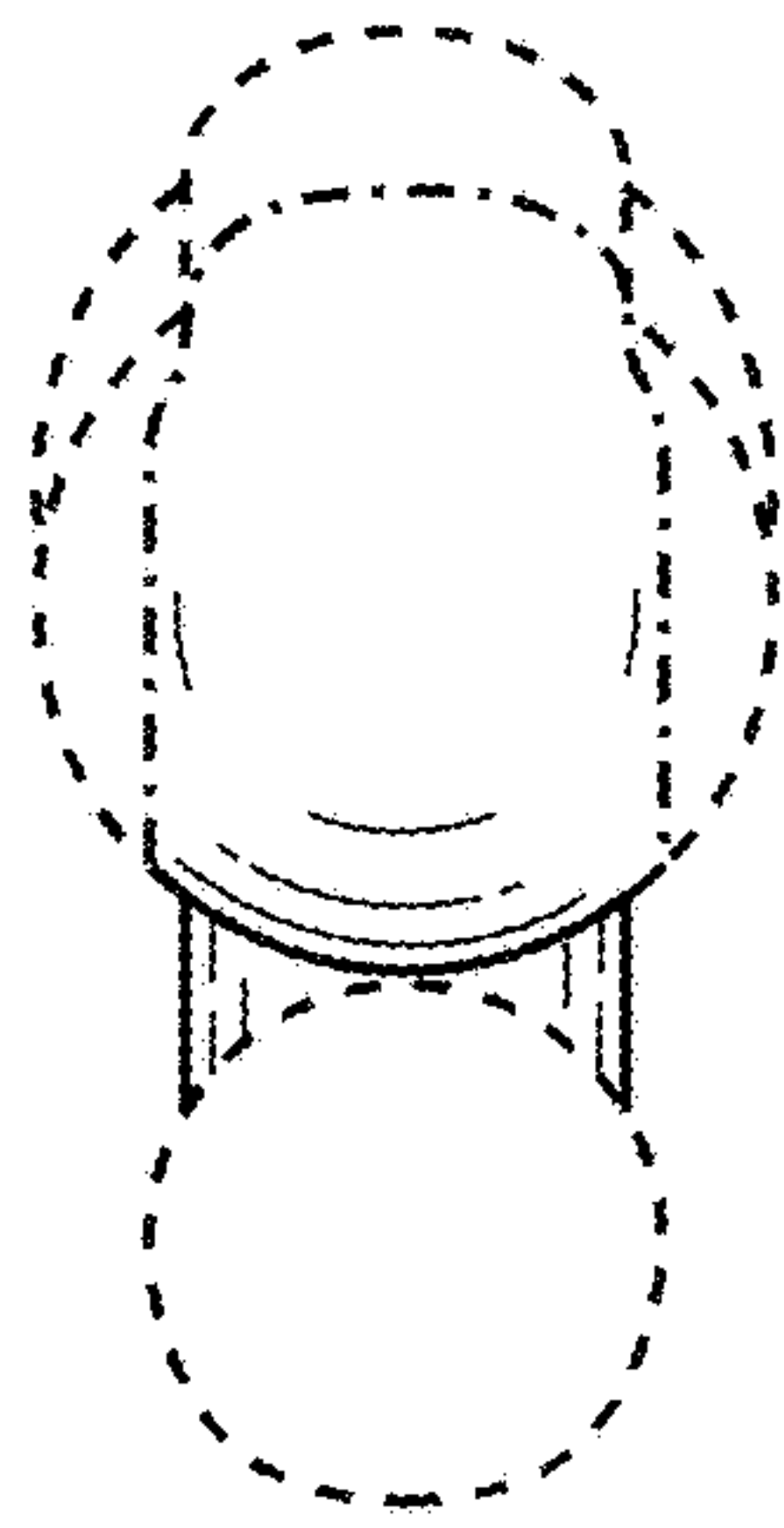


FIG.20

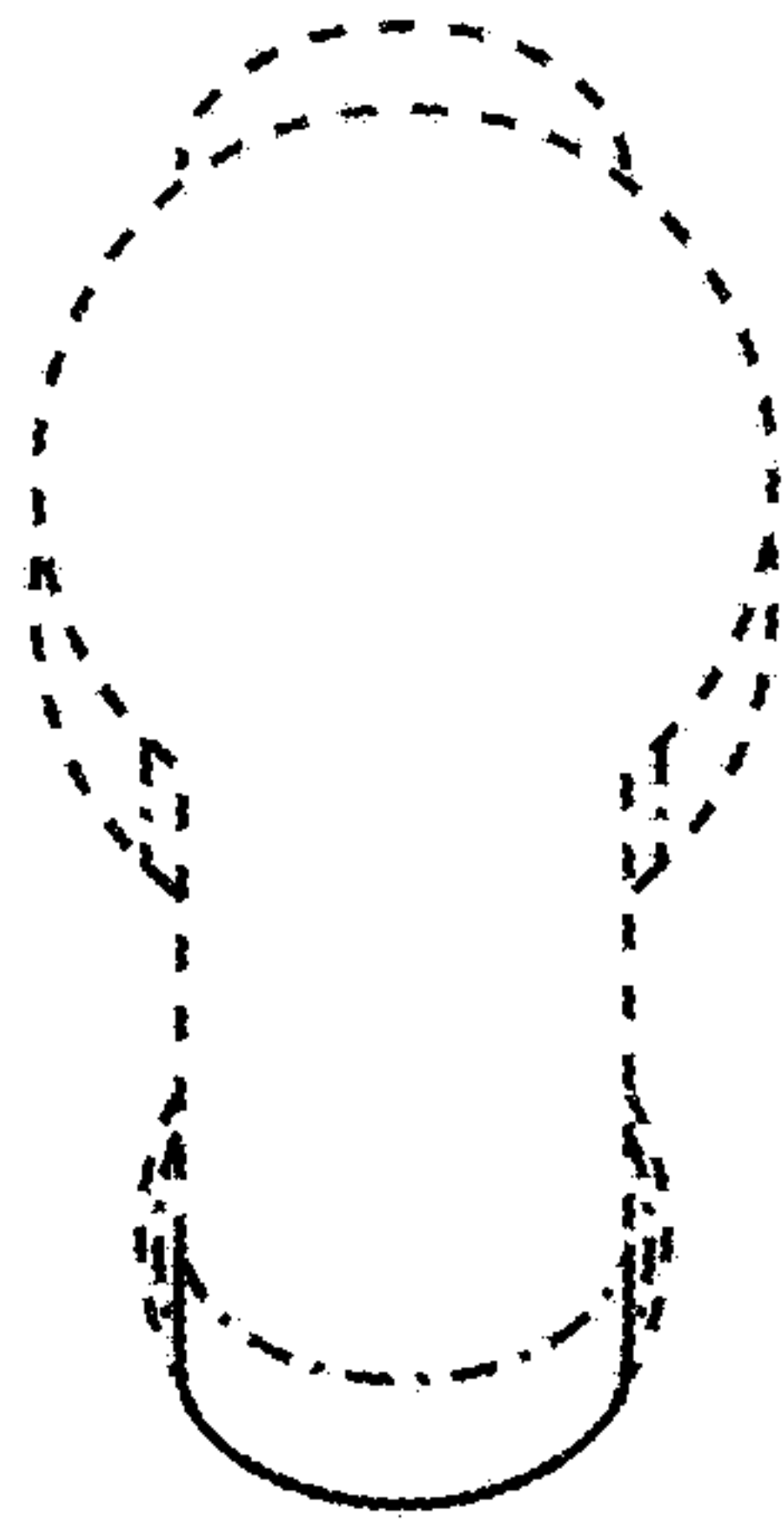


FIG.21

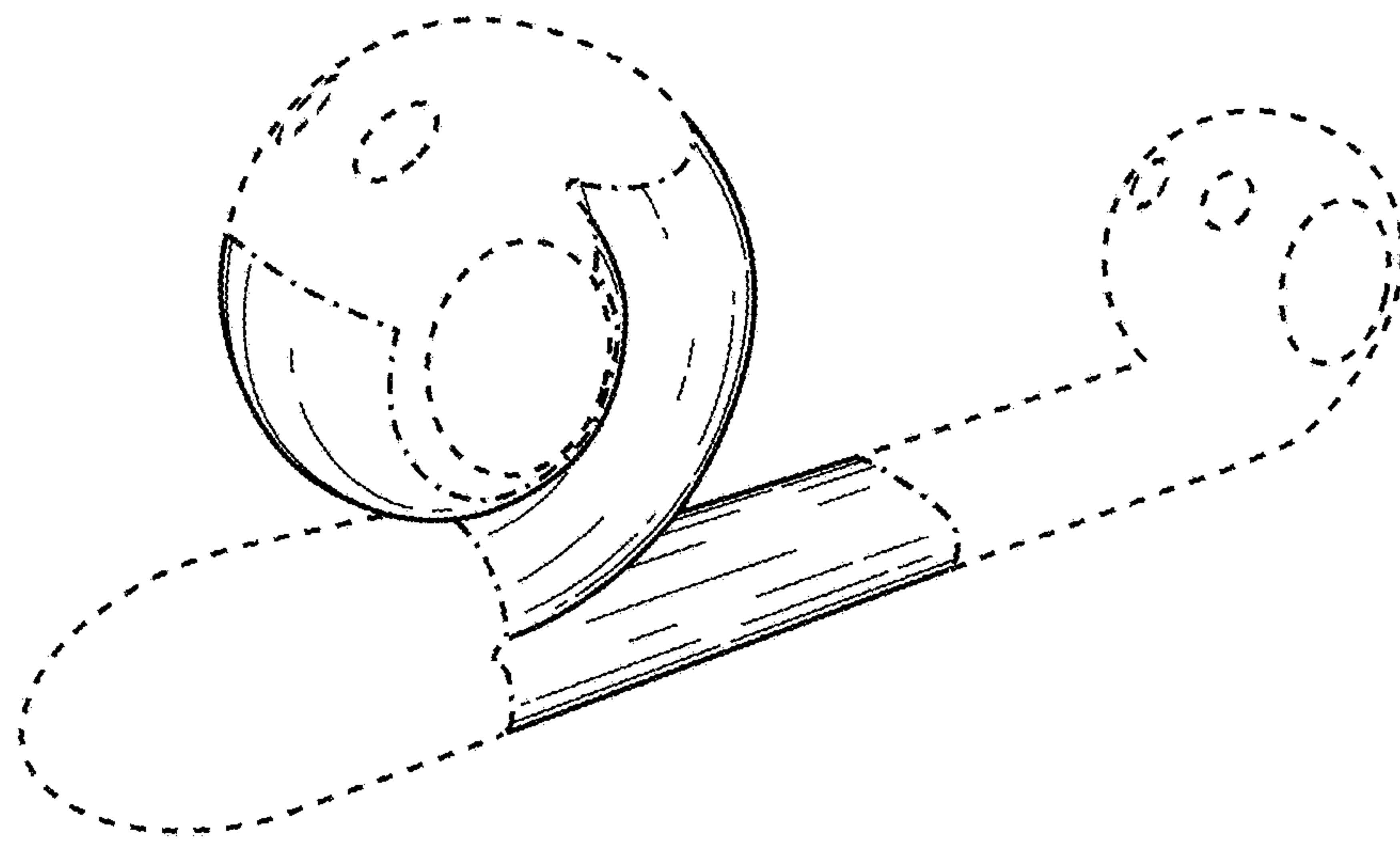


FIG.22



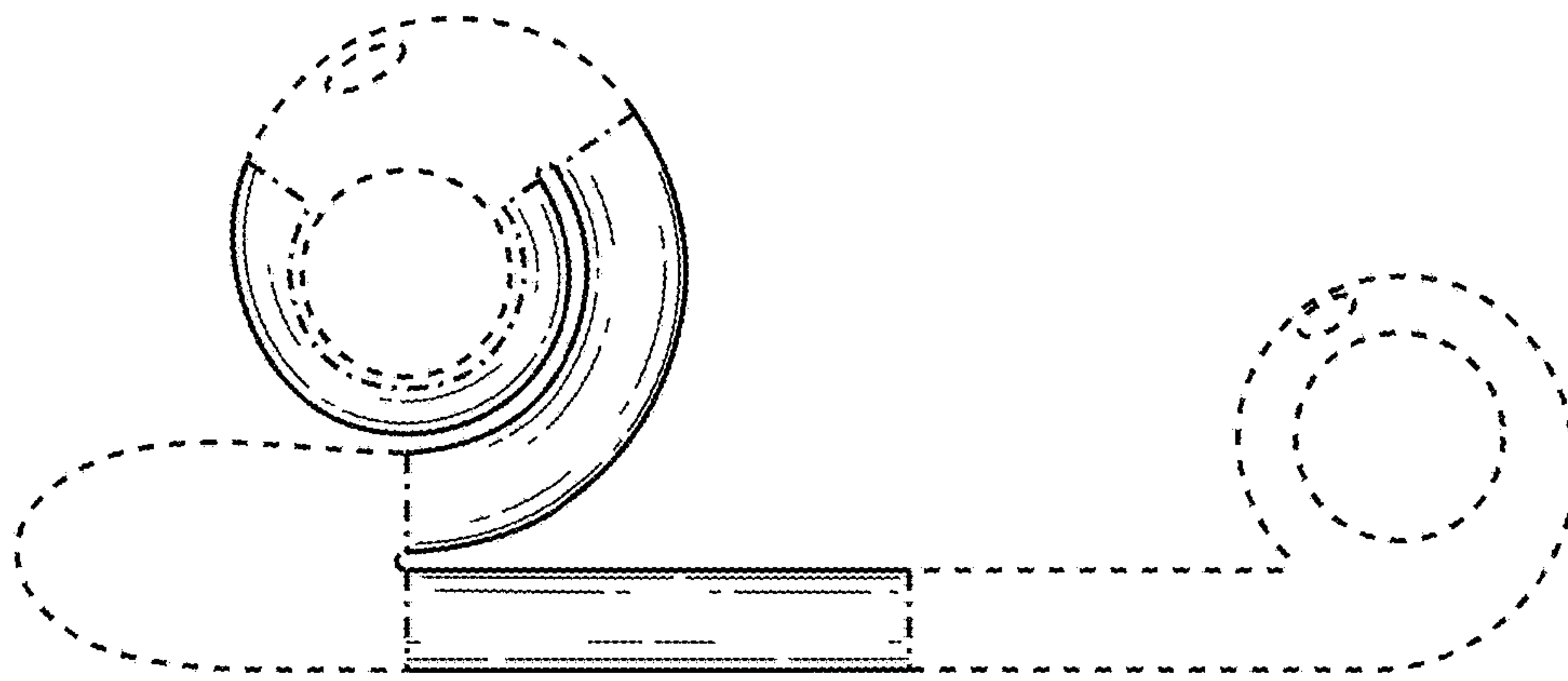


FIG.23

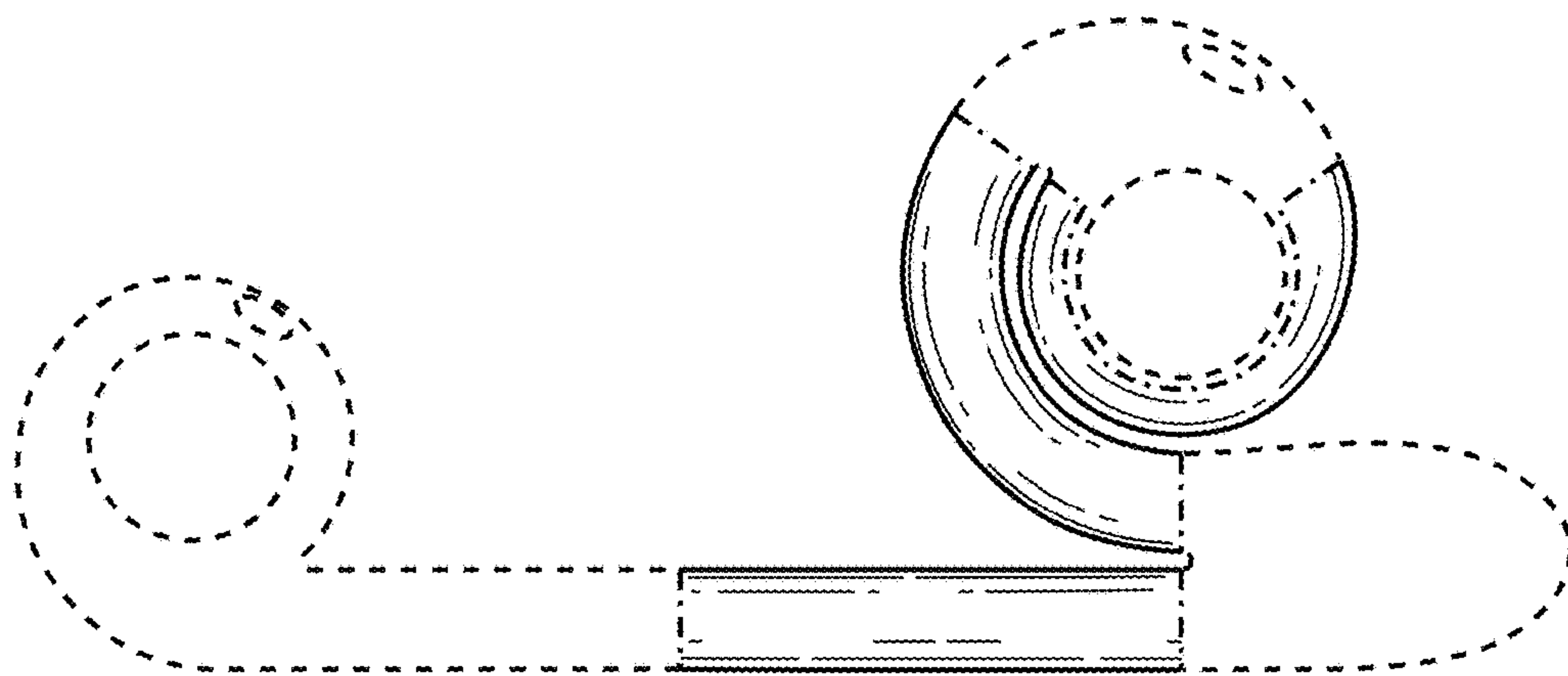


FIG.24

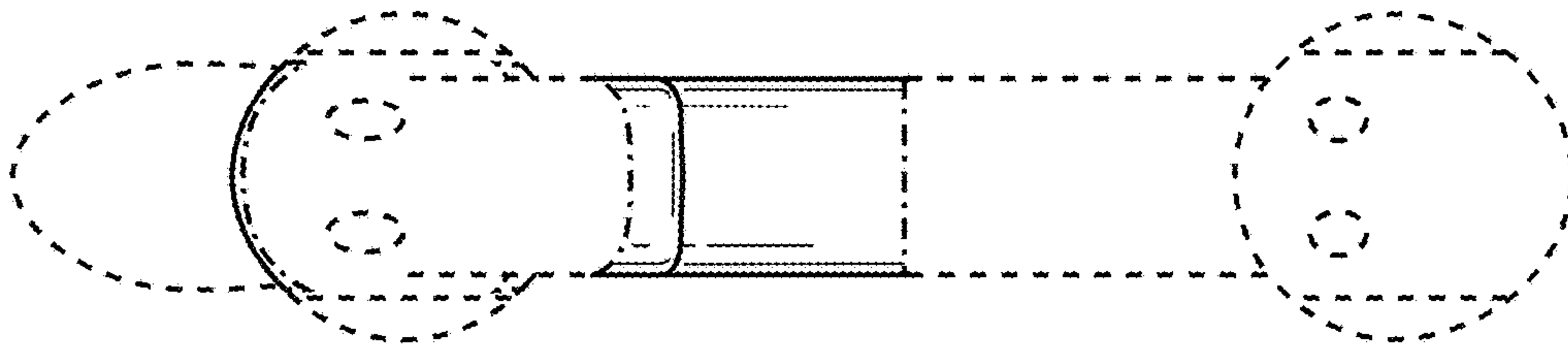


FIG.25

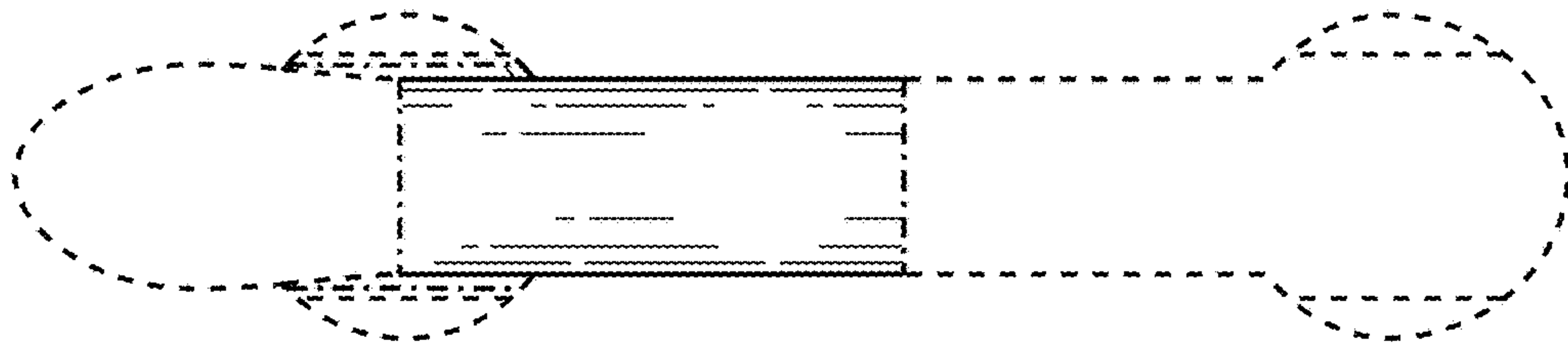


FIG.26

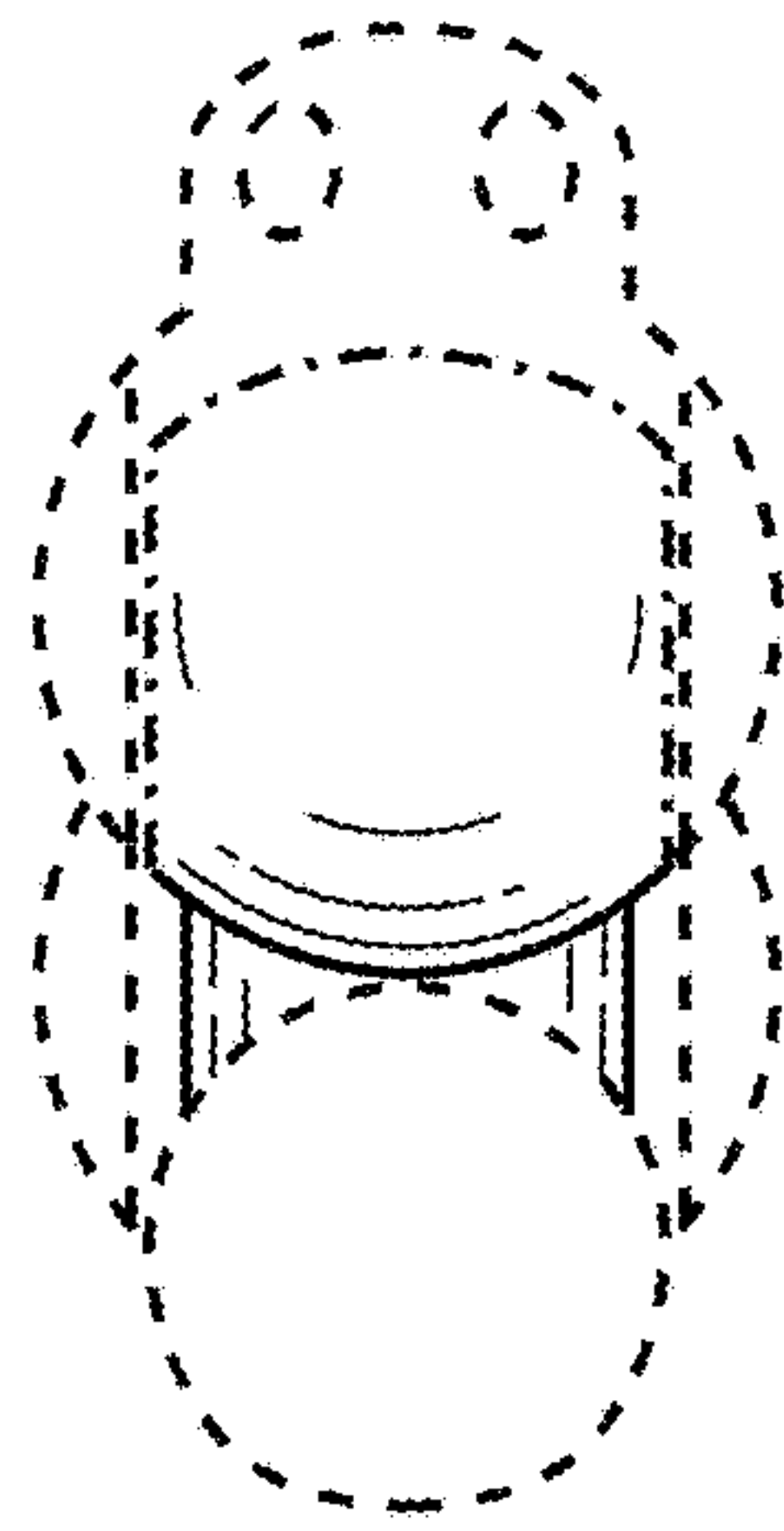


FIG.27

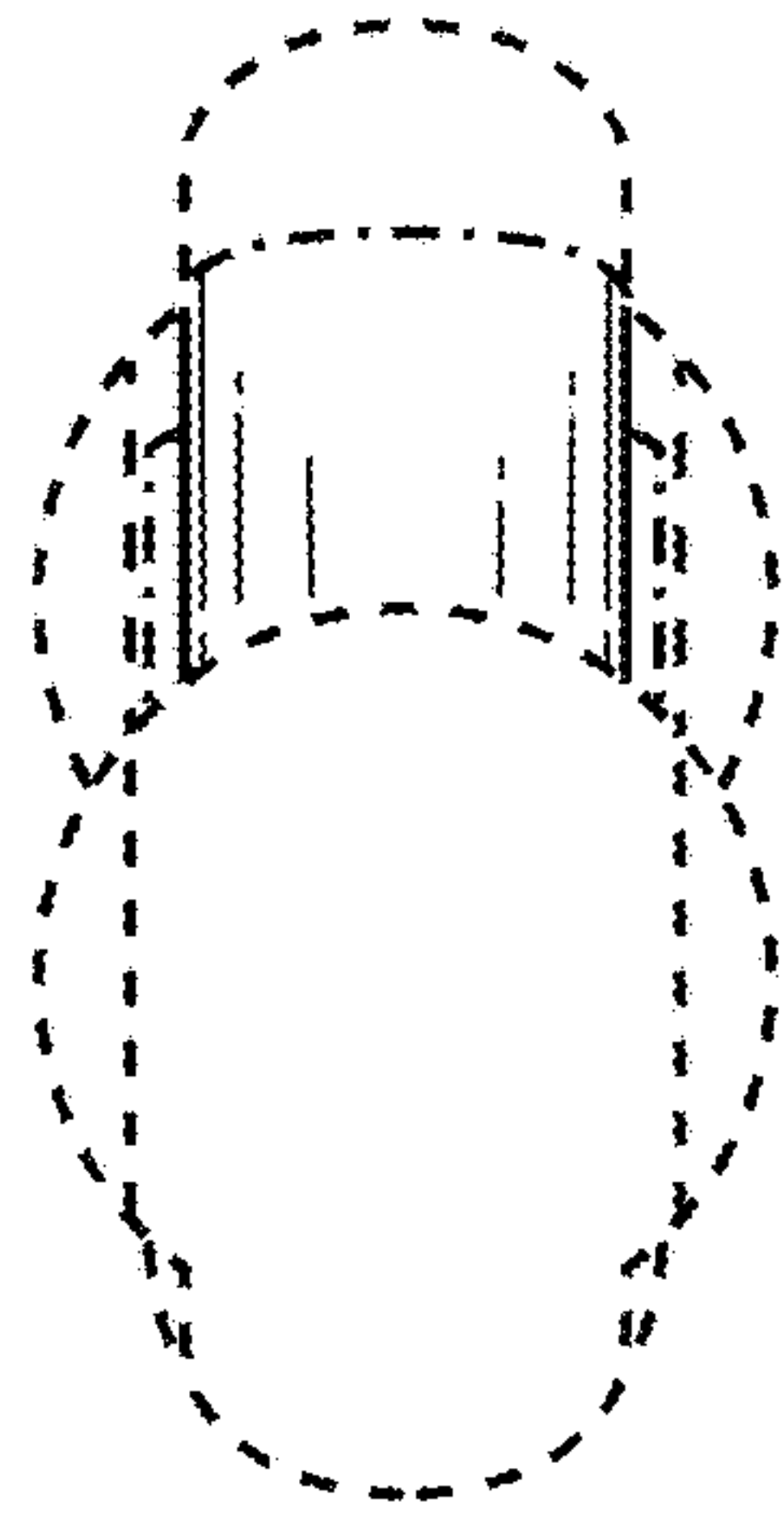


FIG.28