



US00D854700S

(12) **United States Design Patent** (10) **Patent No.:** **US D854,700 S**
Ma (45) **Date of Patent:** **** Jul. 23, 2019**

(54) **FOOT MASSAGER**

(71) Applicant: **Shenzhen Breo Technology Co., Ltd.**,
Shenzhen, Guangdong (CN)

(72) Inventor: **Xuejun Ma**, Guangdong (CN)

(73) Assignee: **SHENZHEN BREO TECHNOLOGY CO., LTD.**, Shenzhen (CN)

(**) Term: **15 Years**

(21) Appl. No.: **29/578,473**

(22) Filed: **Sep. 22, 2016**

(30) **Foreign Application Priority Data**

Aug. 5, 2016 (CN) 2016 3 0370135

(51) **LOC (11) Cl.** **28-03**

(52) **U.S. Cl.**
USPC **D24/215**

(58) **Field of Classification Search**

USPC D24/200, 211, 212, 213, 214, 215;
601/19, 22, 27-32, 46, 52, 99, 112, 113,
601/118, 125, 143, DIG. 12, DIG. 14,
601/DIG. 15, DIG. 16, DIG. 17
CPC A61H 1/0266; A61H 2015/0007; A61H
2015/0014; A61H 2015/0042; A61H
2015/0035; A61H 15/00; A61H 7/003;
A61H 7/005; A61H 7/00; A61H
2001/027; A61H 11/00; A61H 19/00;
A61H 19/30; A61H 19/32; A61H 19/34;
A61H 19/40; A61H 19/44; A61H 19/50;
A61H 21/00

See application file for complete search history.

(56) **References Cited**

U.S. PATENT DOCUMENTS

D130,758 S * 12/1941 Jones D24/207
D423,109 S * 4/2000 Allende D24/215
D456,522 S * 4/2002 Elkerbout D24/214
6,576,003 B2 * 6/2003 Kotack A43B 1/10
36/2.6
2005/0288610 A1 * 12/2005 Park A43B 3/0005
601/22
2017/0367923 A1 * 12/2017 Bergbacka A61H 11/00

* cited by examiner

Primary Examiner — Sandra S Snapp

(74) *Attorney, Agent, or Firm* — Rankin, Hill & Clark
LLP

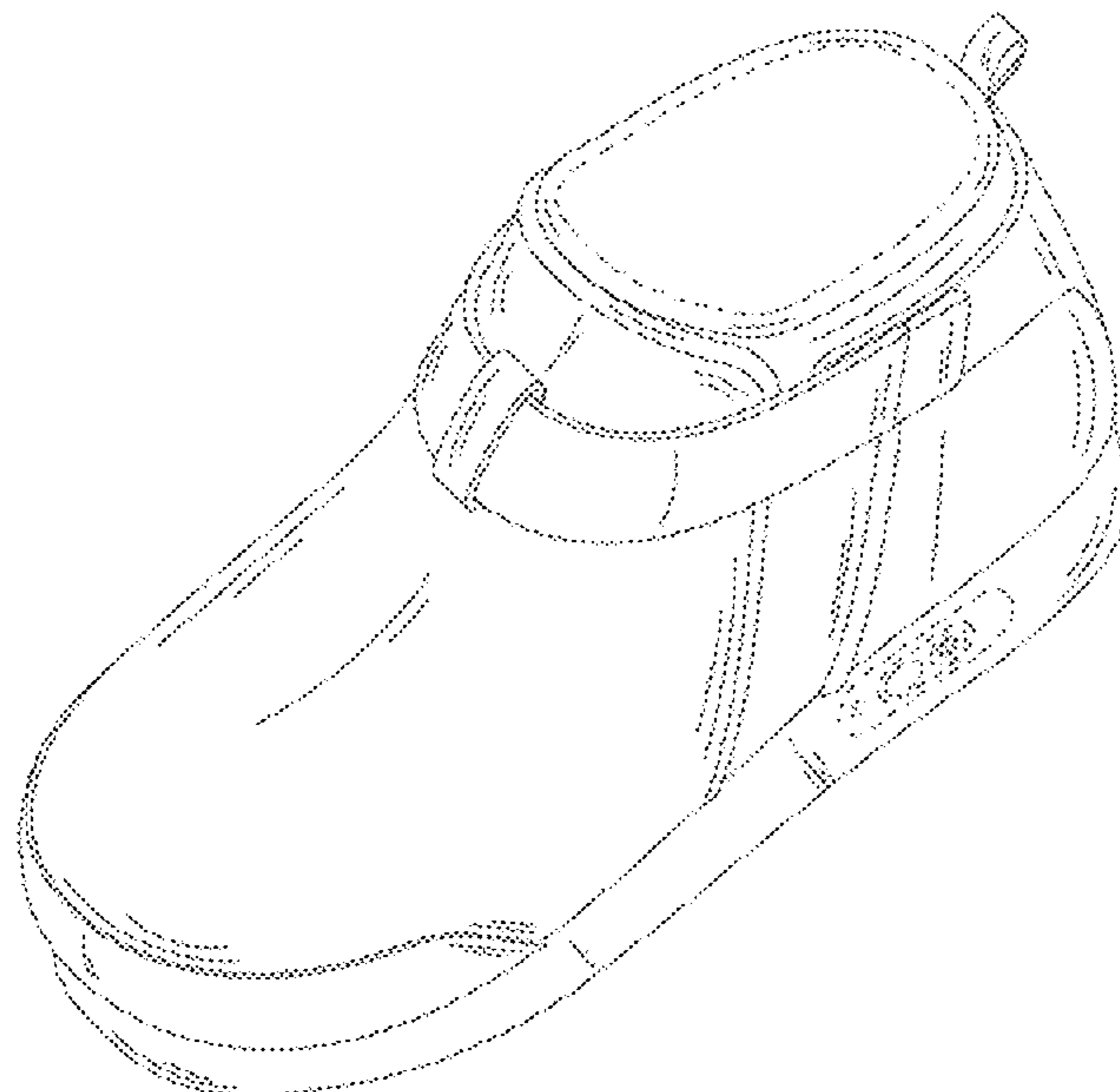
(57) **CLAIM**

The ornamental design for a foot massager, as shown and described.

DESCRIPTION

FIG. 1 is a perspective view of the foot massager;
FIG. 2 is a front view thereof;
FIG. 3 is a back view thereof;
FIG. 4 is a left side view thereof;
FIG. 5 is a right side view thereof;
FIG. 6 is a top side view thereof; and,
FIG. 7 is a bottom side view thereof.

1 Claim, 7 Drawing Sheets



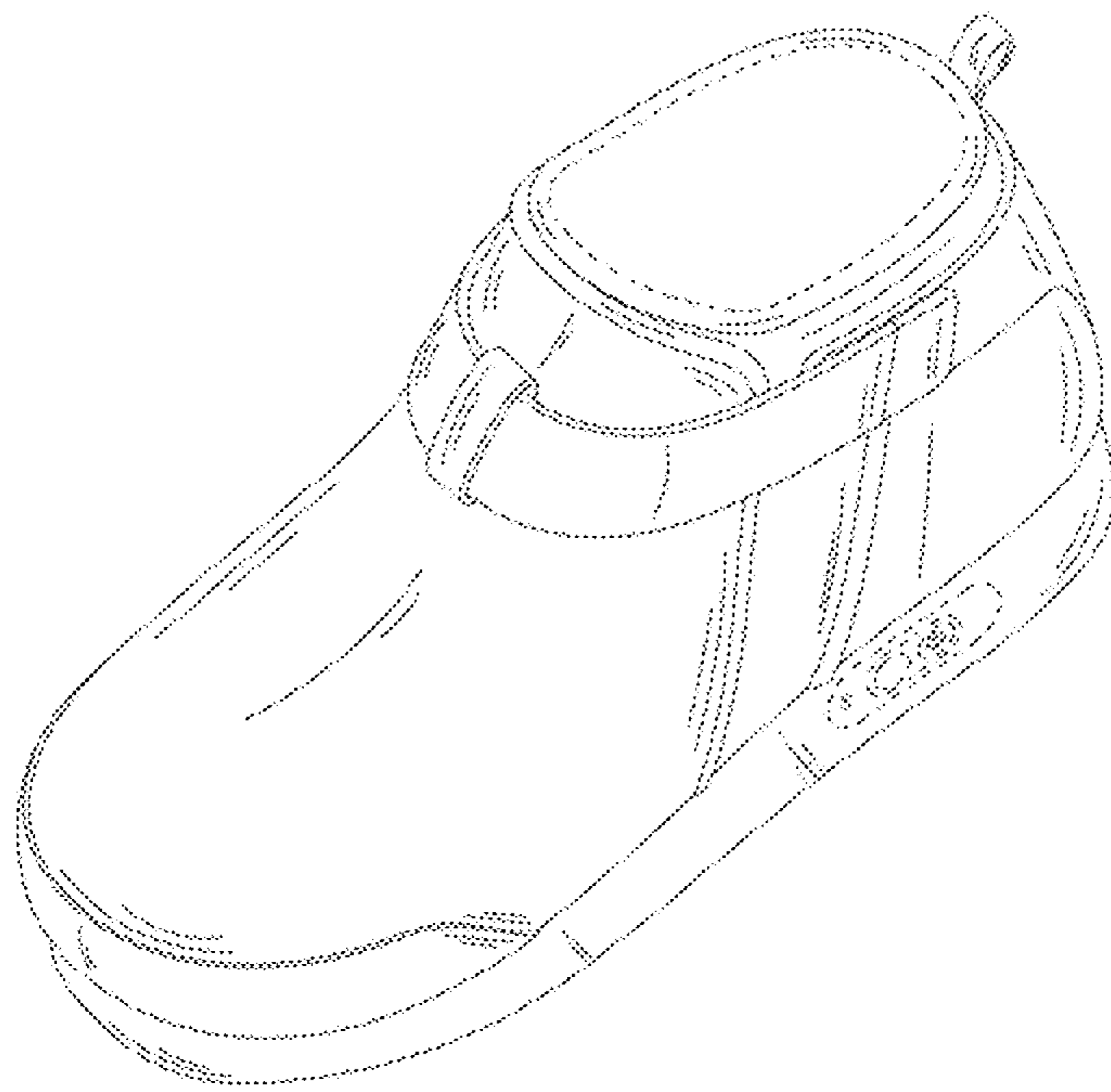


FIG.1

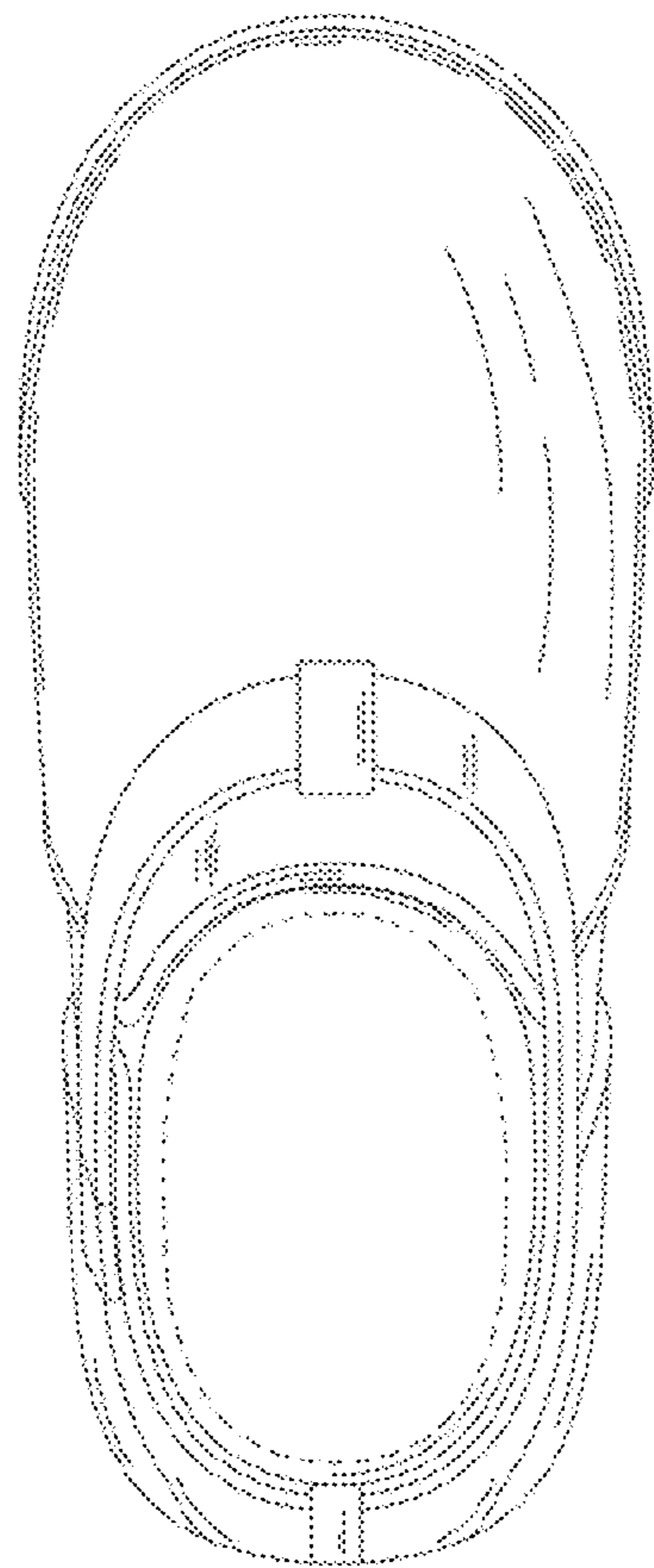


FIG.2

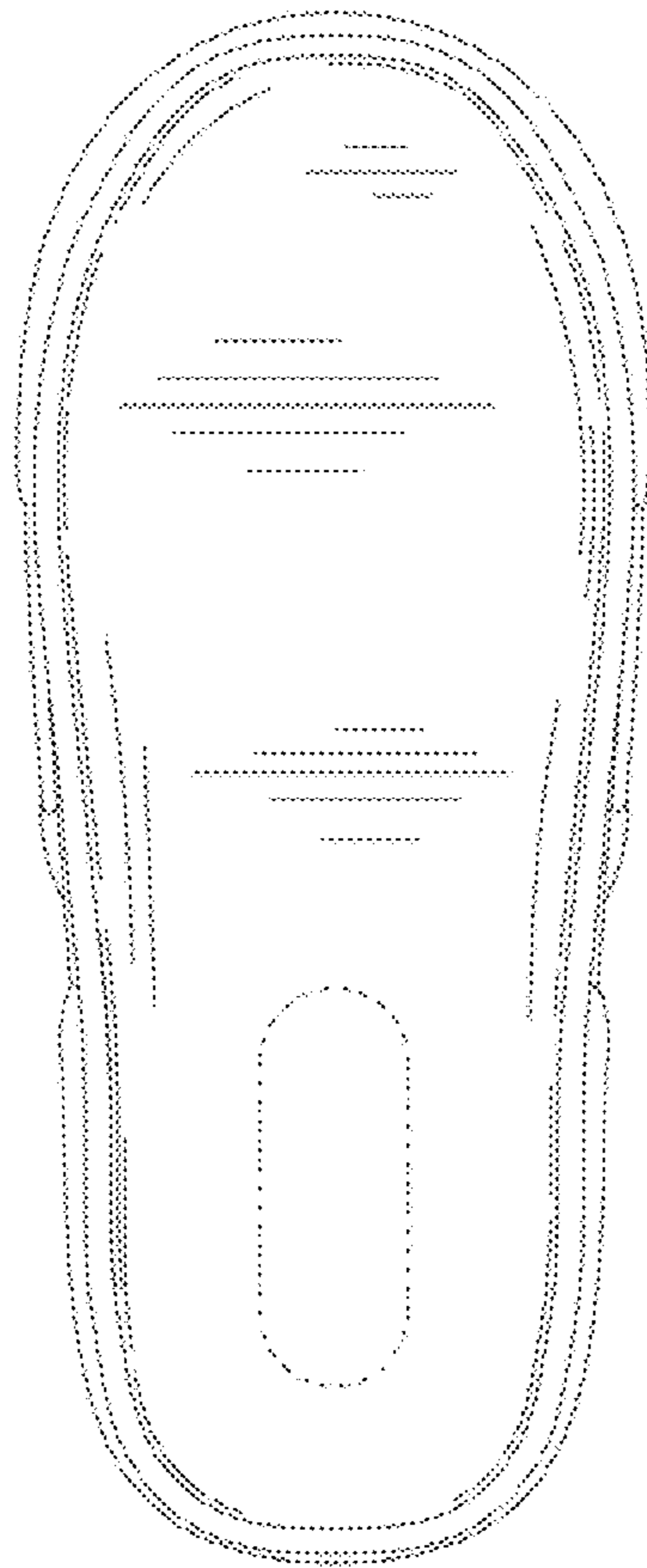


FIG.3

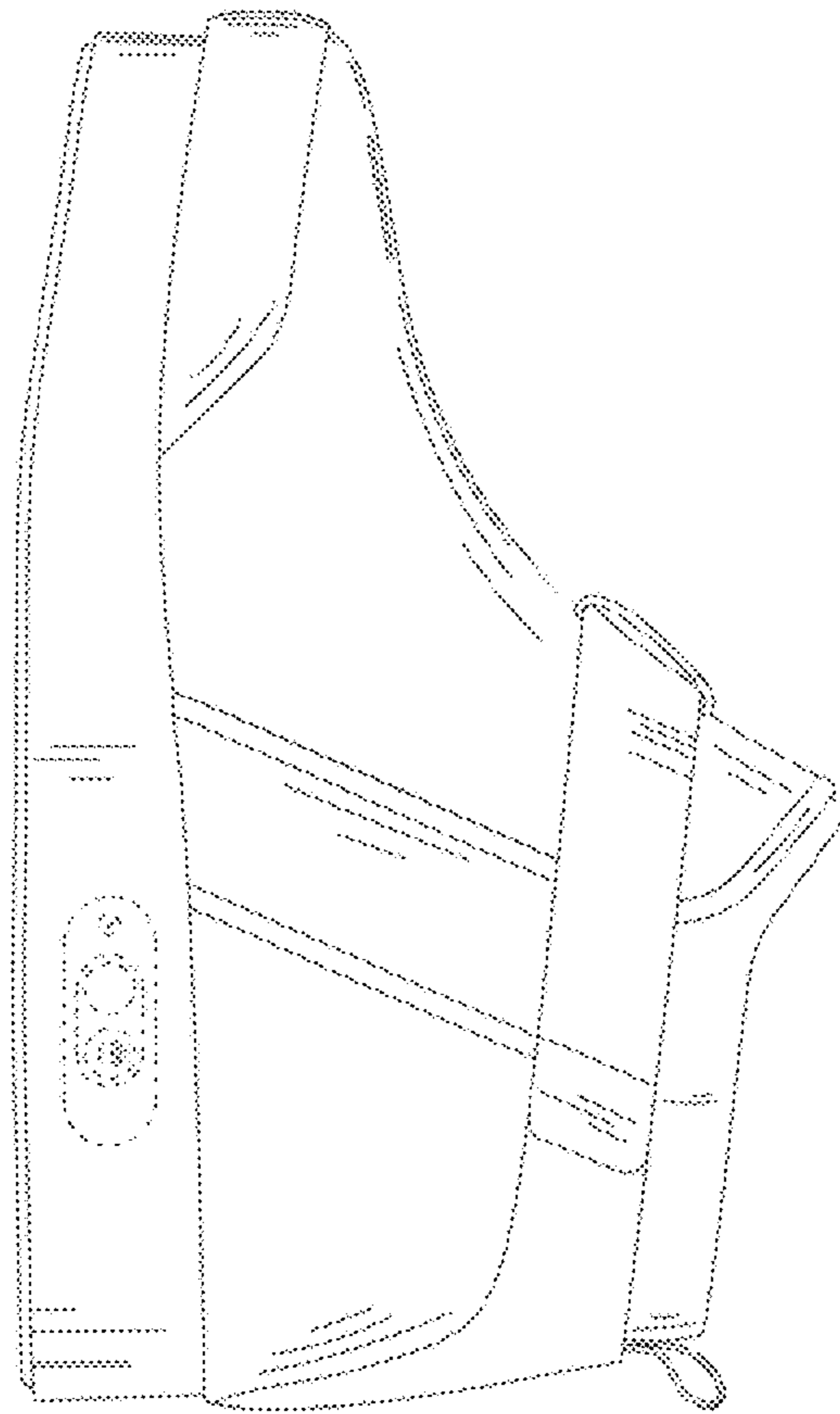


FIG.4

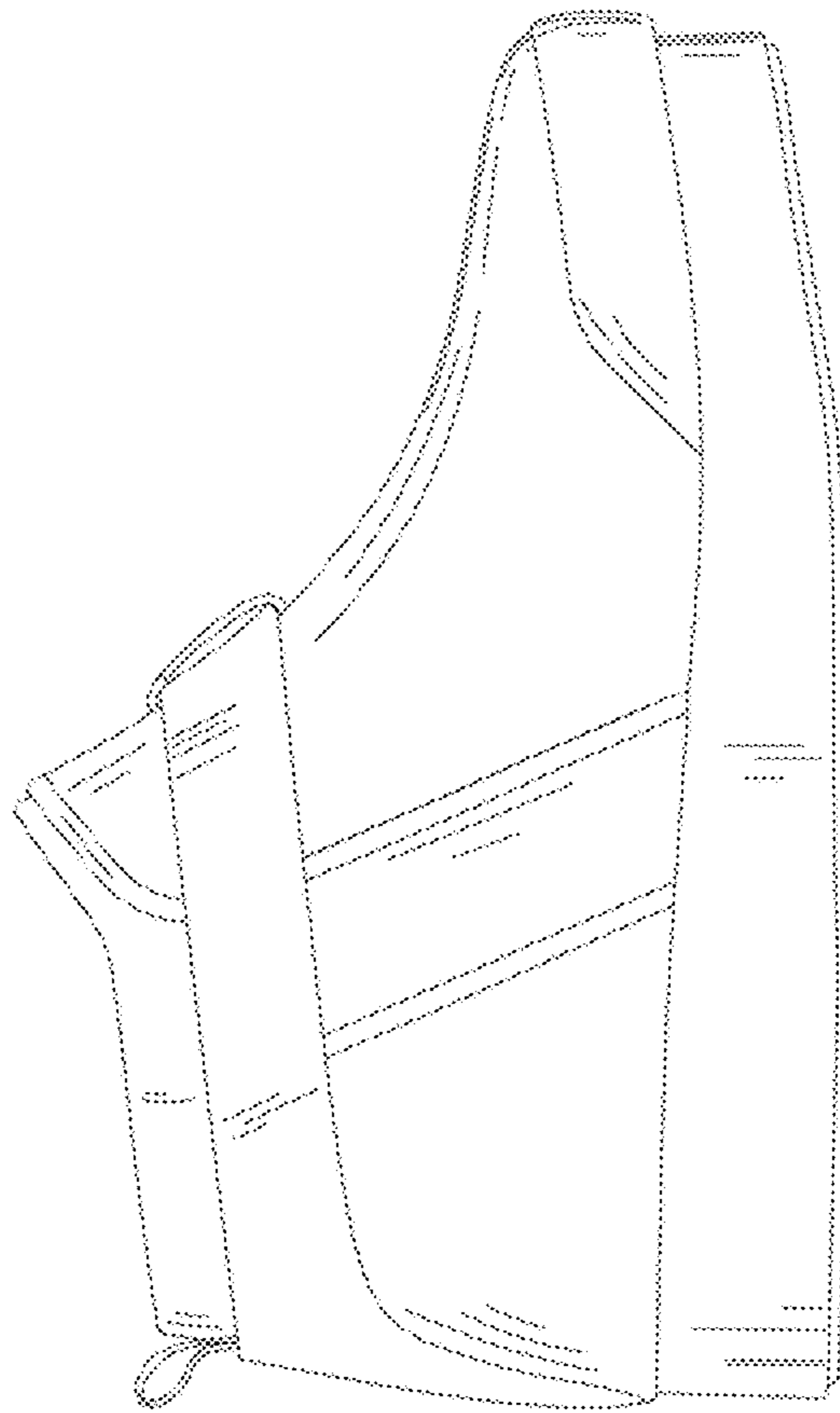


FIG.5

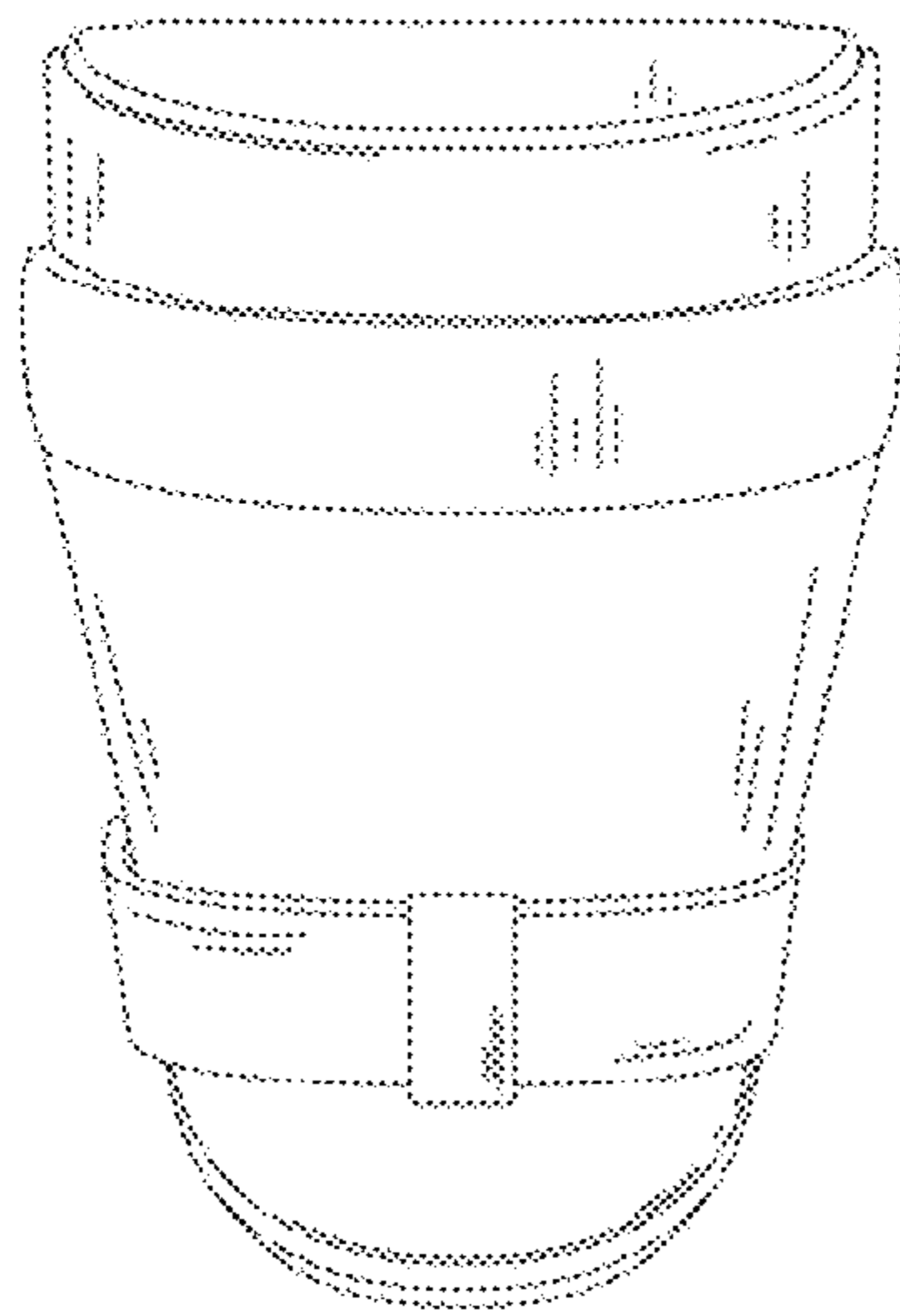


FIG.6

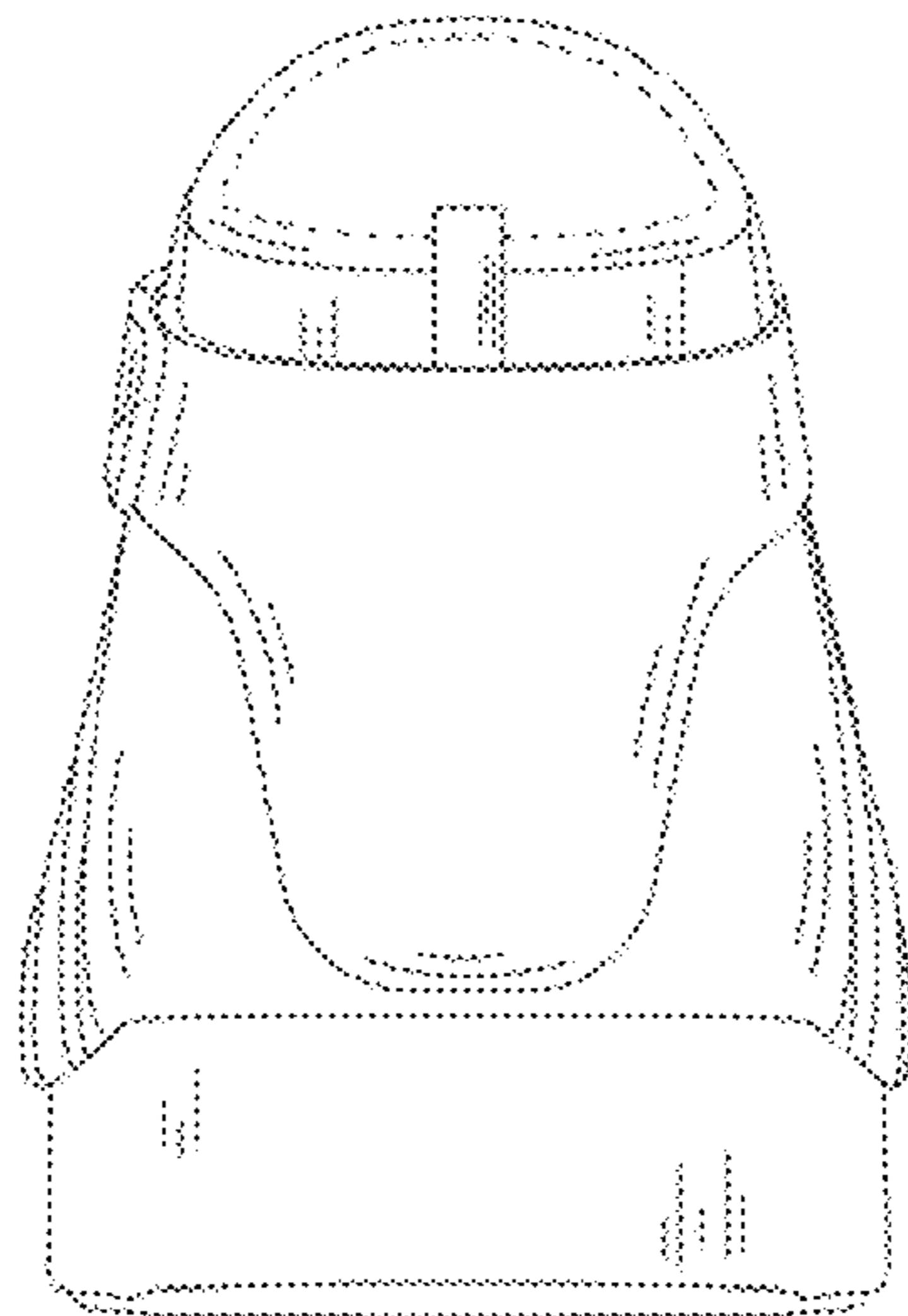


FIG. 7