



US00D854698S

(12) **United States Design Patent**
Sivan

(10) **Patent No.:** **US D854,698 S**
(45) **Date of Patent:** **** Jul. 23, 2019**

(54) **COLD THERAPY TREATMENT DEVICE**

(71) Applicant: **FREEZE N FIT INC.**, Glen Cove, NY (US)

(72) Inventor: **Avi Sivan**, Glen Cove, NY (US)

(73) Assignee: **FREEZE N FIT INC.**, Glen Cove, NY (US)

(**) Term: **15 Years**

(21) Appl. No.: **29/635,804**

(22) Filed: **Feb. 2, 2018**

(51) **LOC (11) Cl.** **24-04**

(52) **U.S. Cl.**
USPC **D24/206**

(58) **Field of Classification Search**
USPC D24/206-208, 200, 186; 607/96
CPC A61F 7/10; A61F 7/106; A61F 7/00; A61F 2007/0001; A61F 2007/0087; A61F 7/02; A61F 2007/0056; A61F 2007/0063
See application file for complete search history.

(56) **References Cited**

U.S. PATENT DOCUMENTS

2,547,886	A *	4/1951	Poux	A61F 7/02
					607/112
D442,285	S *	5/2001	Perry	D24/206
D445,195	S *	7/2001	Olson	D24/200
D502,996	S *	3/2005	Guenther	D24/200
D590,064	S *	4/2009	Janisch	D24/206
7,658,756	B2 *	2/2010	Pierre	A61F 7/02
					138/89
D613,871	S *	4/2010	Choi	D24/200
D628,705	S *	12/2010	Usui	D24/206
D806,888	S *	1/2018	Cheng	D24/206
2014/0316493	A1 *	10/2014	Kilbey	A61F 7/10
					607/108

FOREIGN PATENT DOCUMENTS

CN	302643300	10/2013
CN	104095702	10/2014
CN	203915197	11/2014
CN	204581495	8/2015

OTHER PUBLICATIONS

Beauty Star Fat Freezing Machine Fat Freeze Body Slimming Lipo Anti Cellulite Dissolve Fat Cold Therapy Anti Cellulite Machine. AliExpress.com. Retrieved on Mar. 5, 2019. Retrieved from the Internet: <https://www.aliexpress.com/item/Body-Slimming-Fat-Freezing-Machine-For-Fat-Freeze-Weight-Loss-Lipo-Anti-Cellulite....>*

* cited by examiner

Primary Examiner — Wan Laymon

(74) *Attorney, Agent, or Firm* — Collard & Roe, P.C.

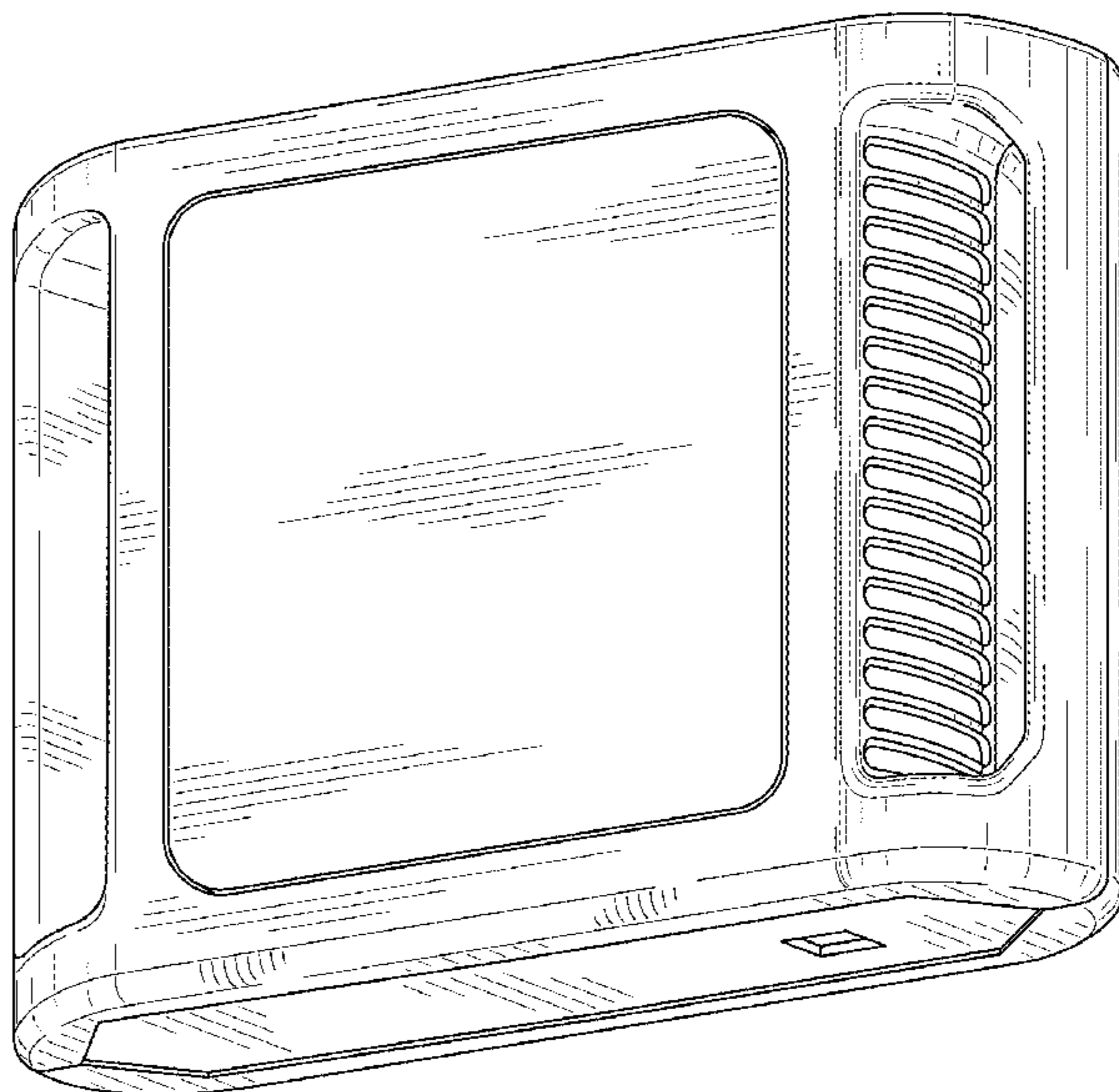
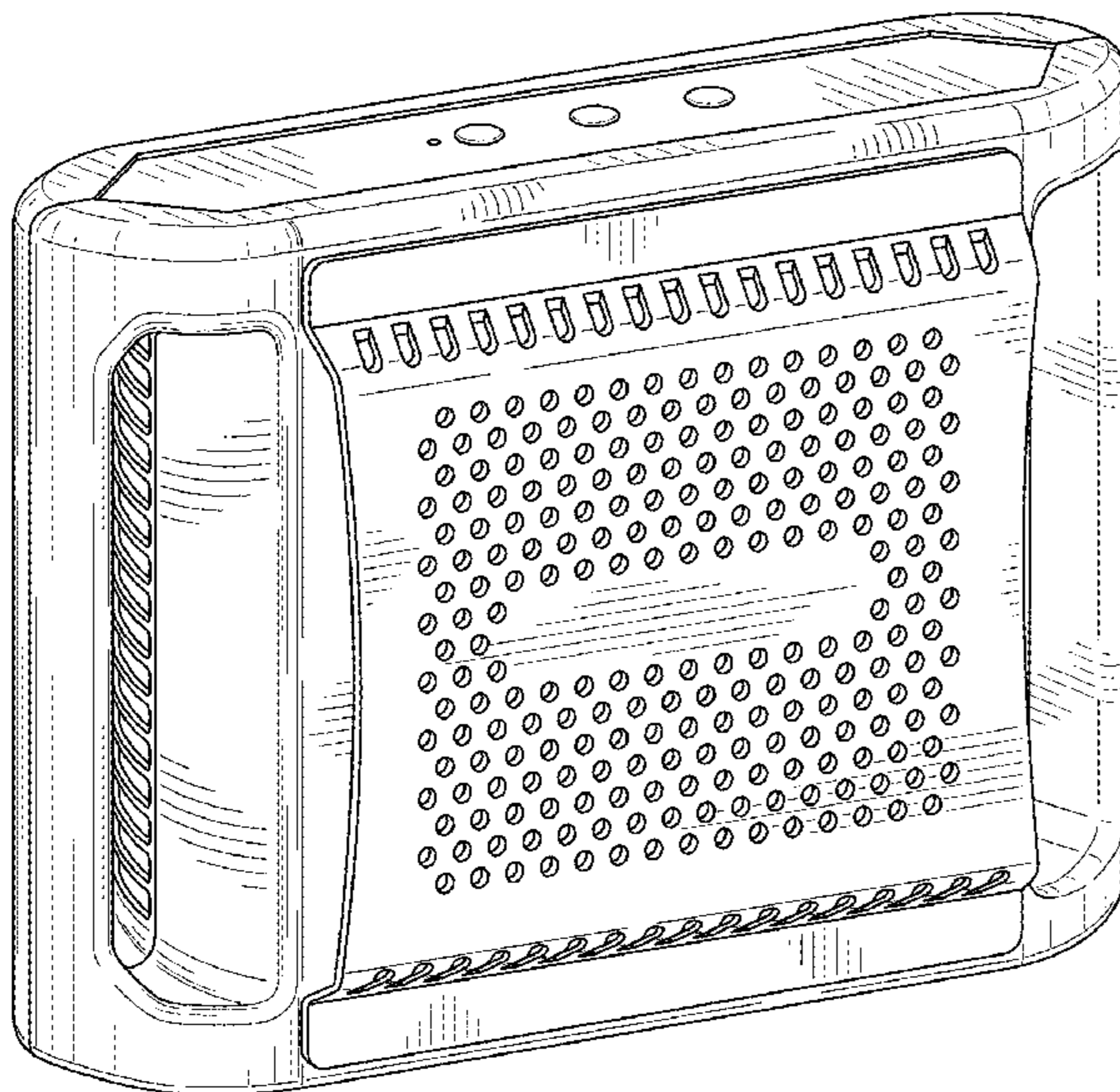
(57) **CLAIM**

The ornamental design for a cold therapy treatment device, as shown and described.

DESCRIPTION

FIG. 1 is a front, top perspective view of the cold therapy treatment device showing my new design;
FIG. 2 is a back-bottom-right side perspective view thereof based upon the orientation of FIG. 1;
FIG. 3 is a back-right-top perspective view thereof based upon the orientation of FIG. 1;
FIG. 4 is a front view thereof;
FIG. 5 is a back view thereof;
FIG. 6 is a right-side view thereof;
FIG. 7 is a left side view thereof;
FIG. 8 is a top view thereof; and,
FIG. 9 is a bottom view thereof.

1 Claim, 6 Drawing Sheets



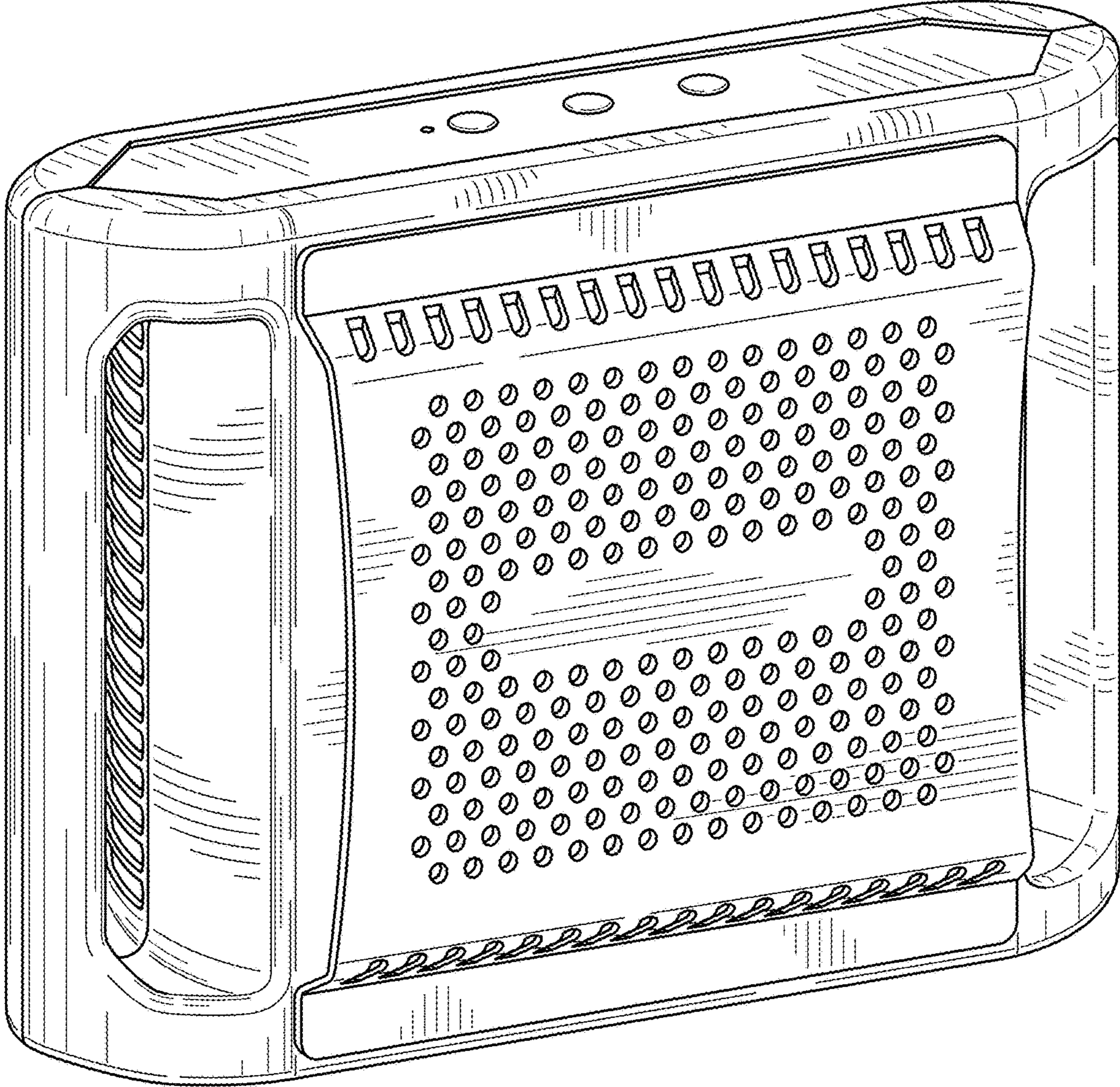


FIG. 1

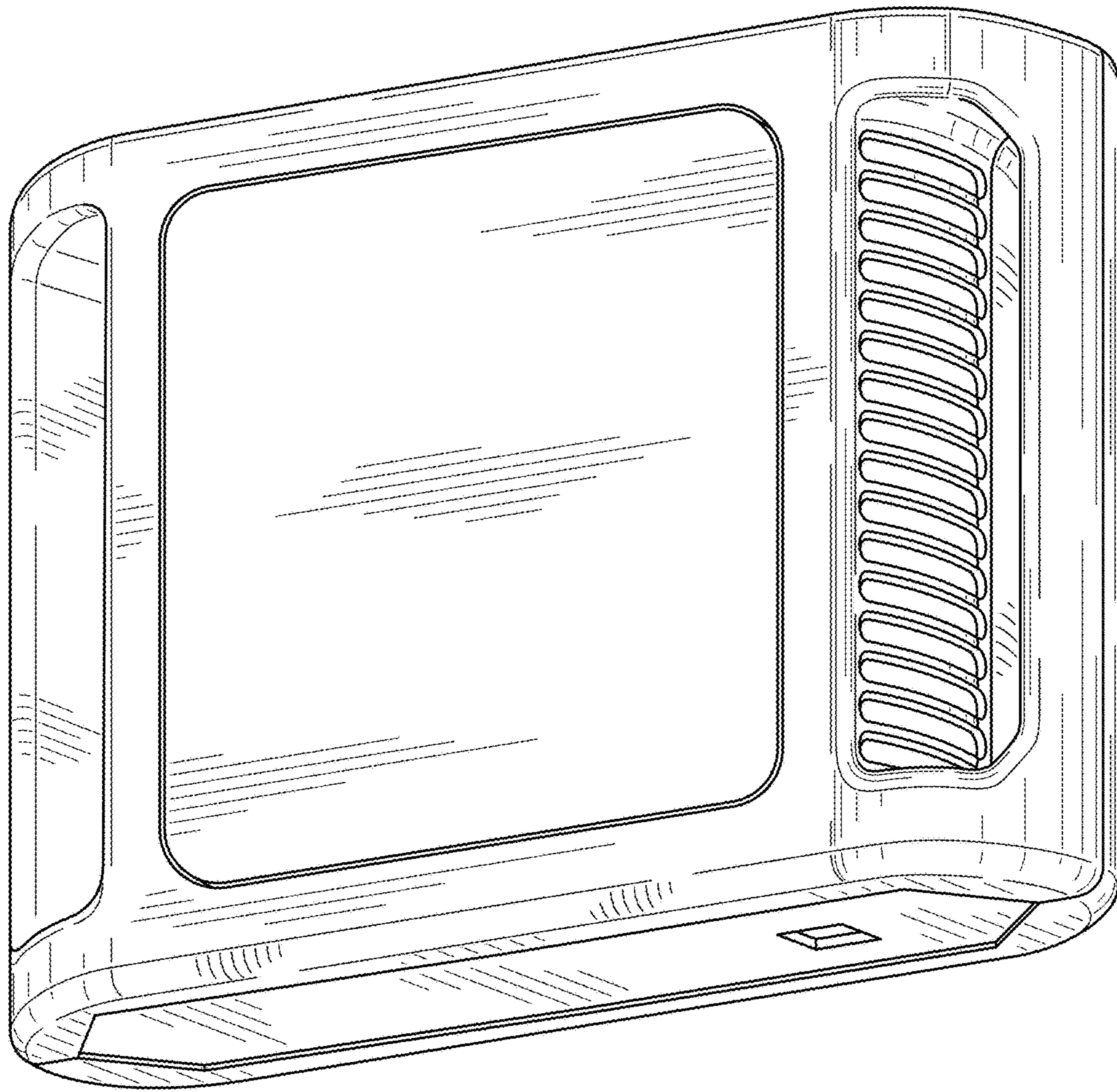


FIG. 2

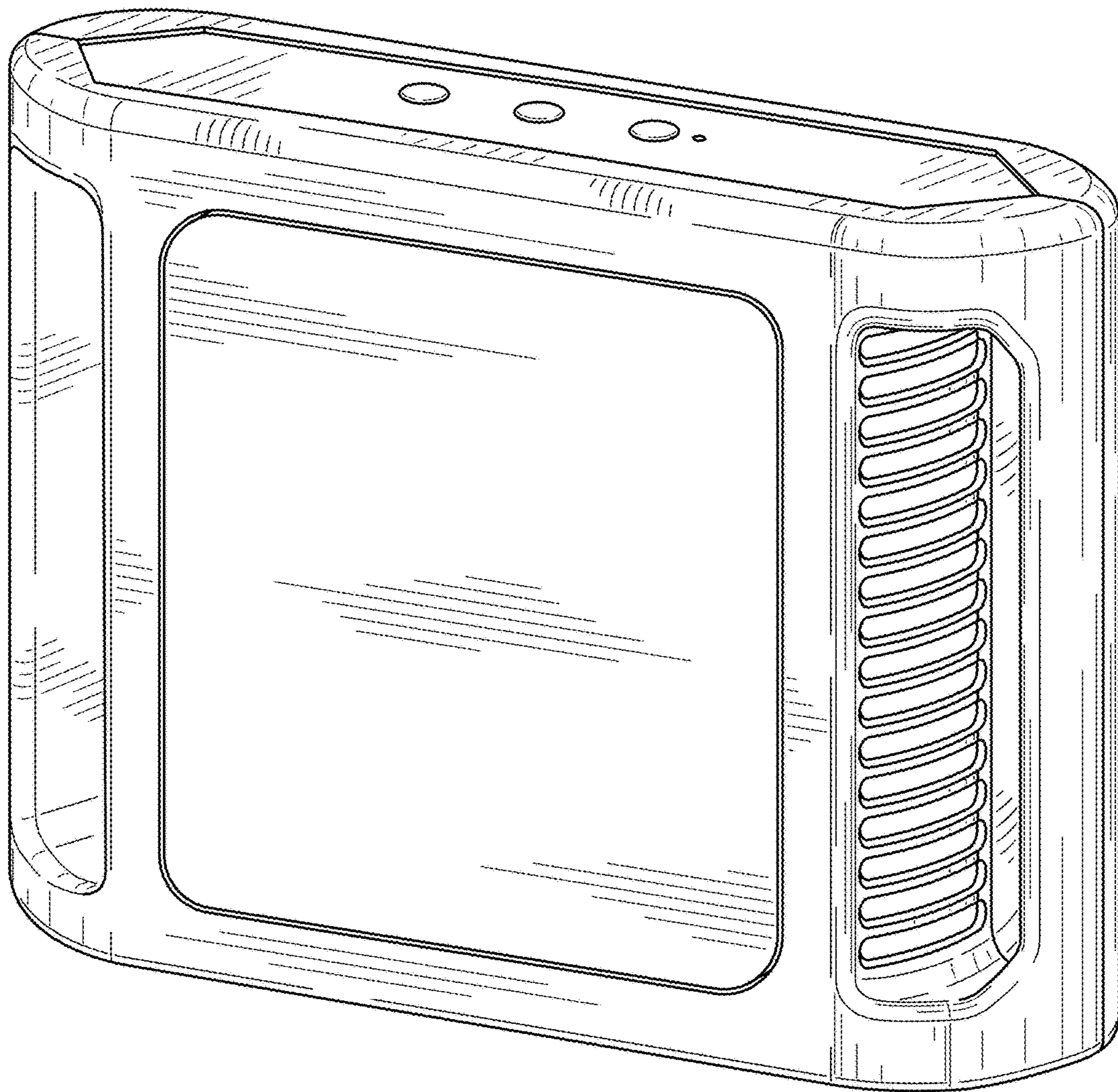


FIG. 3

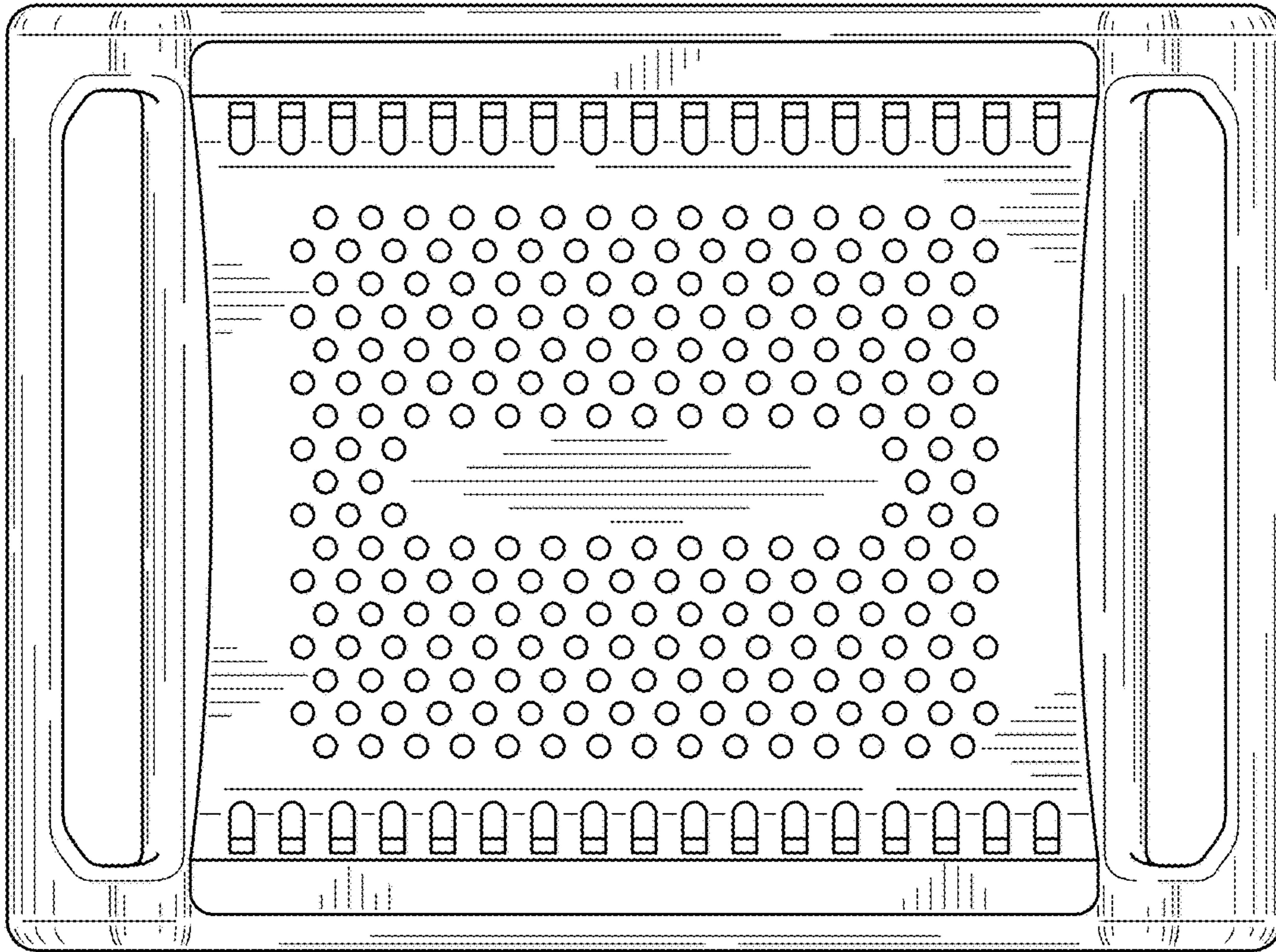


FIG. 4

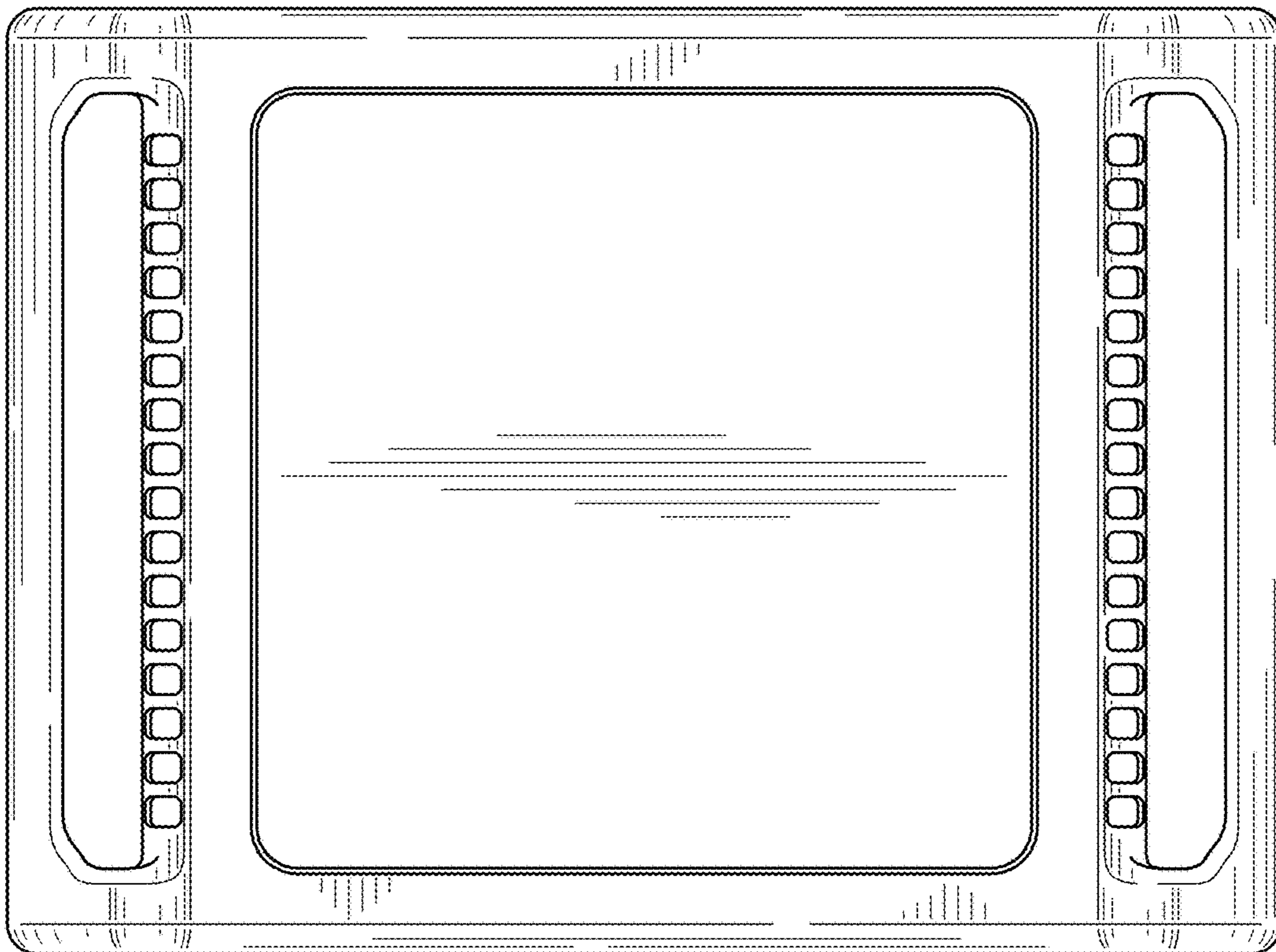


FIG. 5

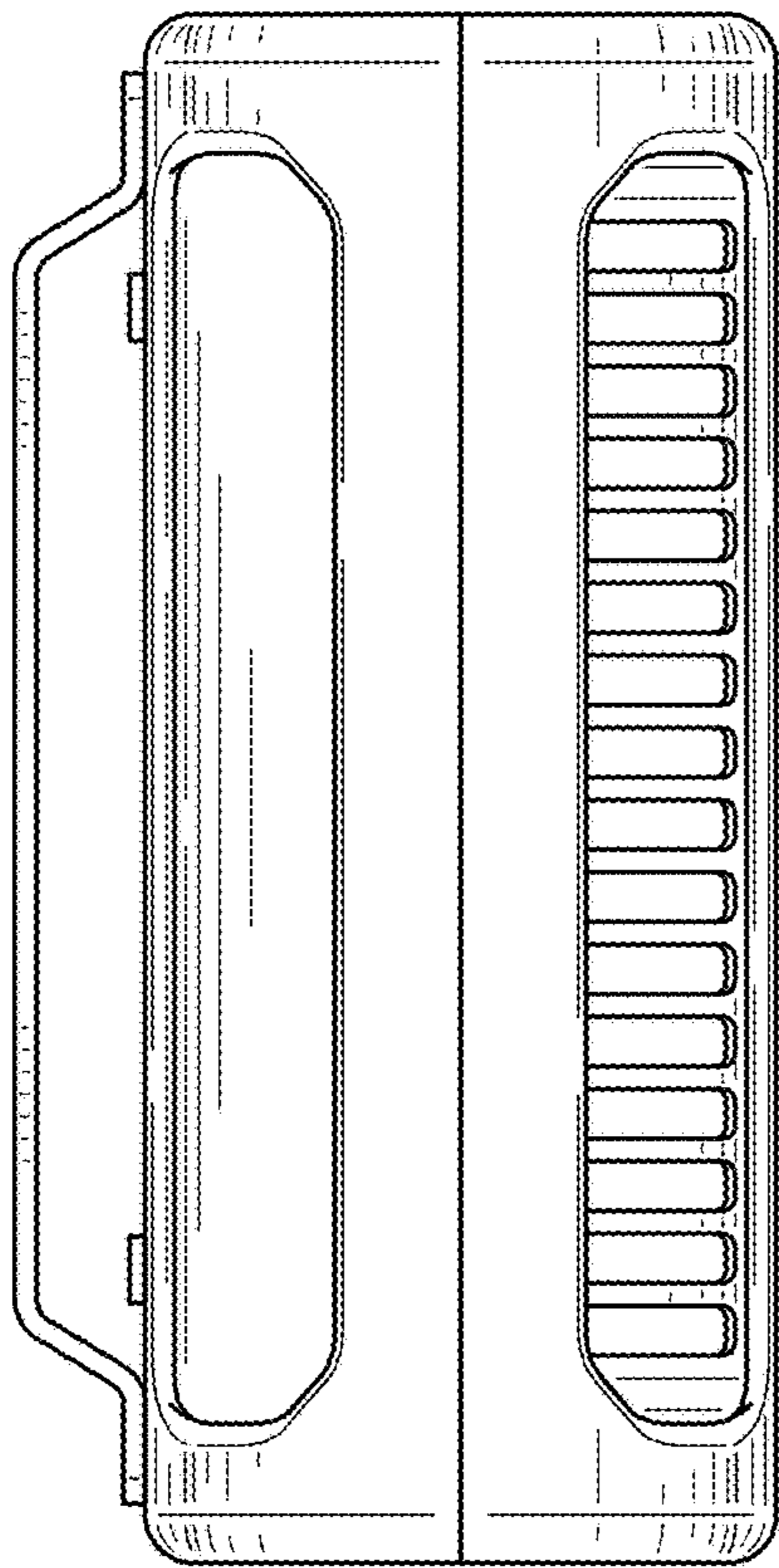


FIG. 6

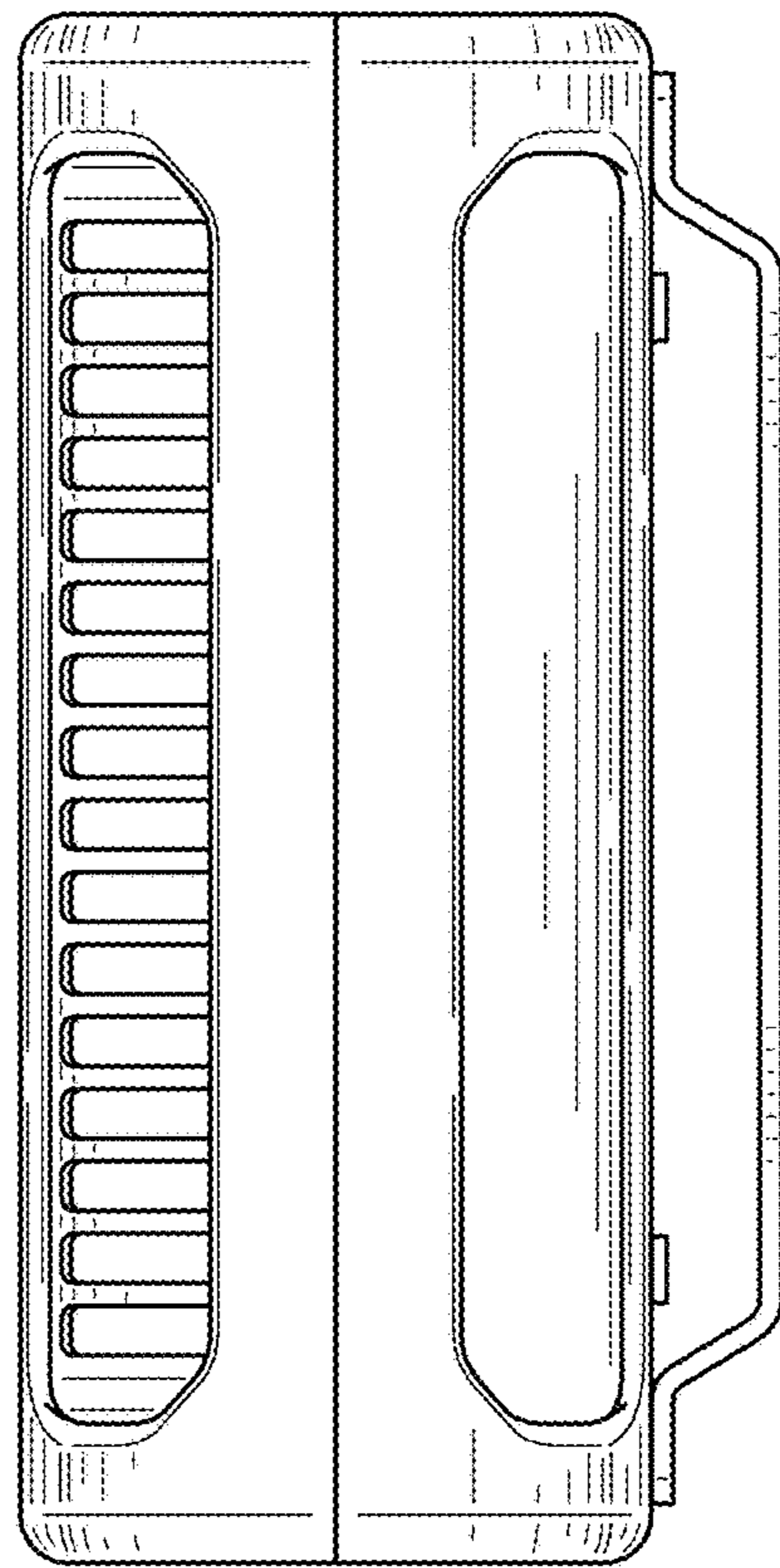


FIG. 7

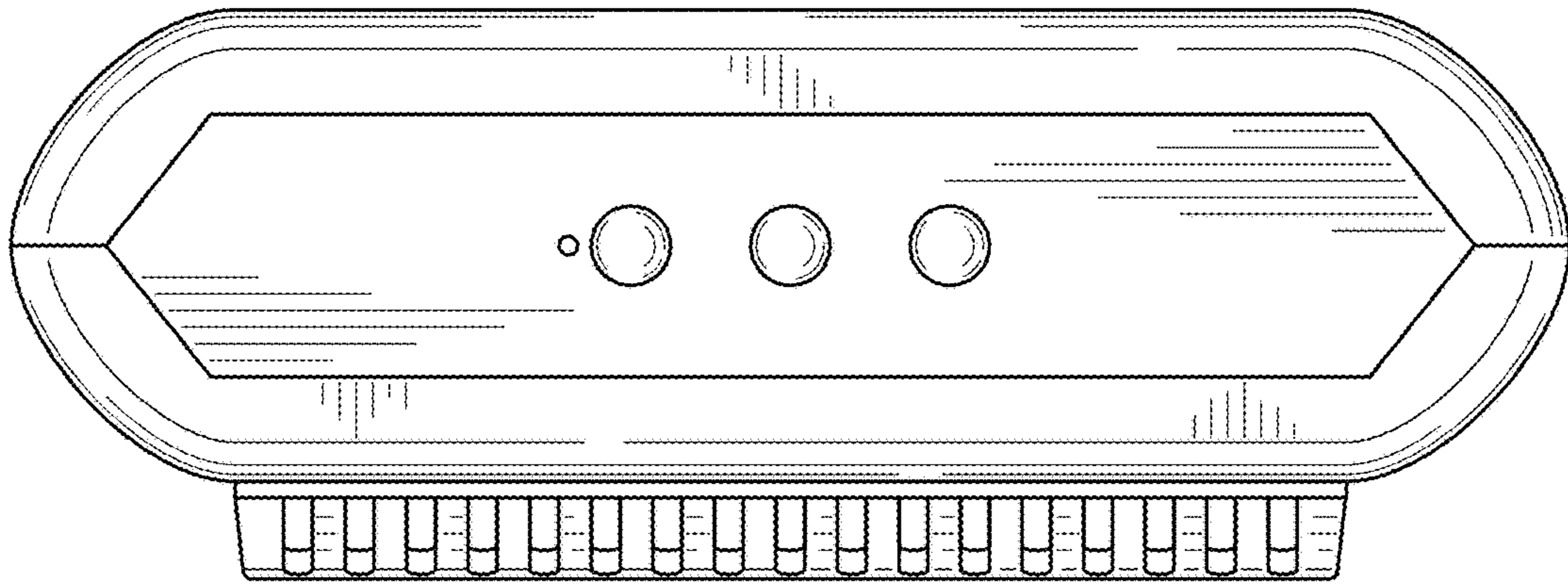


FIG. 8

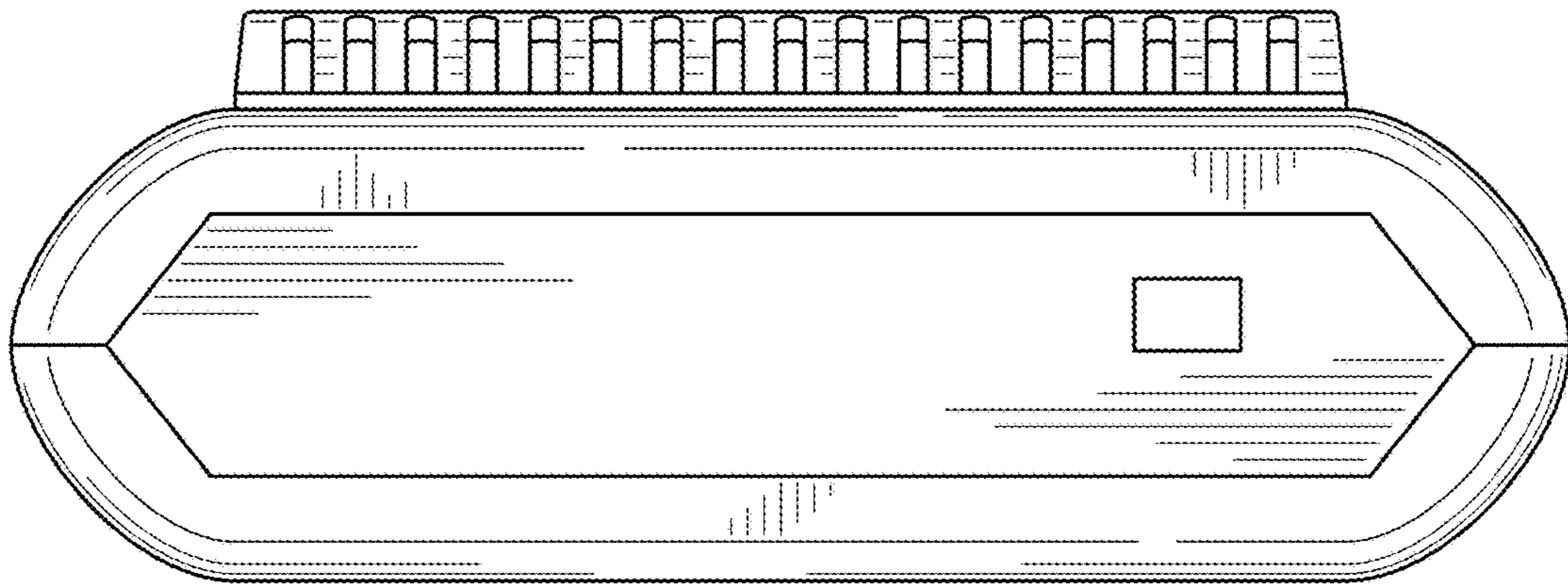


FIG. 9