



US00D854697S

(12) **United States Design Patent**  
**Yang**

(10) **Patent No.:** **US D854,697 S**  
(45) **Date of Patent:** **\*\* Jul. 23, 2019**

(54) **WEARABLE PHYSIOTHERAPEUTIC DEVICE**

(71) Applicant: **Jianqiao Yang**, Toronto (CA)

(72) Inventor: **Jianqiao Yang**, Toronto (CA)

(\*\*) Term: **15 Years**

(21) Appl. No.: **29/634,156**

(22) Filed: **Jan. 18, 2018**

(30) **Foreign Application Priority Data**

Jul. 20, 2017 (CN) ..... 2017 3 0321895

(51) **LOC (11) Cl.** ..... **24-01**

(52) **U.S. Cl.**  
USPC ..... **D24/200**; D24/187

(58) **Field of Classification Search**  
USPC ..... D24/165–169, 186, 187, 189, 190, 200;  
D14/344; D10/130, 98; D5/15, 29, 59,  
D5/61

CPC ... A61B 5/0006; A61B 5/0022; A61B 5/0202;  
A61B 5/04012; A61B 5/04087; A61B  
5/681; A61B 5/6824; A61B 5/6832; A61B  
5/6833; A61B 5/68335; A61B 5/684;  
A61B 2560/0406; A61B 2560/0412;  
A61B 2560/0468

See application file for complete search history.

(56) **References Cited**

**U.S. PATENT DOCUMENTS**

D327,225 S \* 6/1992 Crocco ..... D10/30  
D355,489 S \* 2/1995 Almond ..... D24/189

D489,722 S \* 5/2004 Matuschek ..... D24/186  
D509,591 S \* 9/2005 Tomioka ..... D24/165  
D523,958 S \* 6/2006 Fang ..... D24/215  
D547,454 S \* 7/2007 Hsieh ..... D24/186  
D581,543 S \* 11/2008 Ferber ..... D24/215  
7,608,090 B2 \* 10/2009 Matsui ..... A45D 44/22  
602/1  
D685,914 S \* 7/2013 Corrigan ..... D24/186  
D757,275 S \* 5/2016 Lee ..... D24/187  
D772,863 S \* 11/2016 Amit ..... D14/344  
D817,496 S \* 5/2018 Stirn ..... D24/167  
D819,221 S \* 5/2018 Lei ..... D24/200  
D827,831 S \* 9/2018 Fong ..... D24/167  
2016/0206241 A1 \* 7/2016 Cho ..... A61B 10/0045  
2017/0020401 A1 \* 1/2017 Nakayama ..... A61B 5/02438

\* cited by examiner

*Primary Examiner* — Anhdao Doan

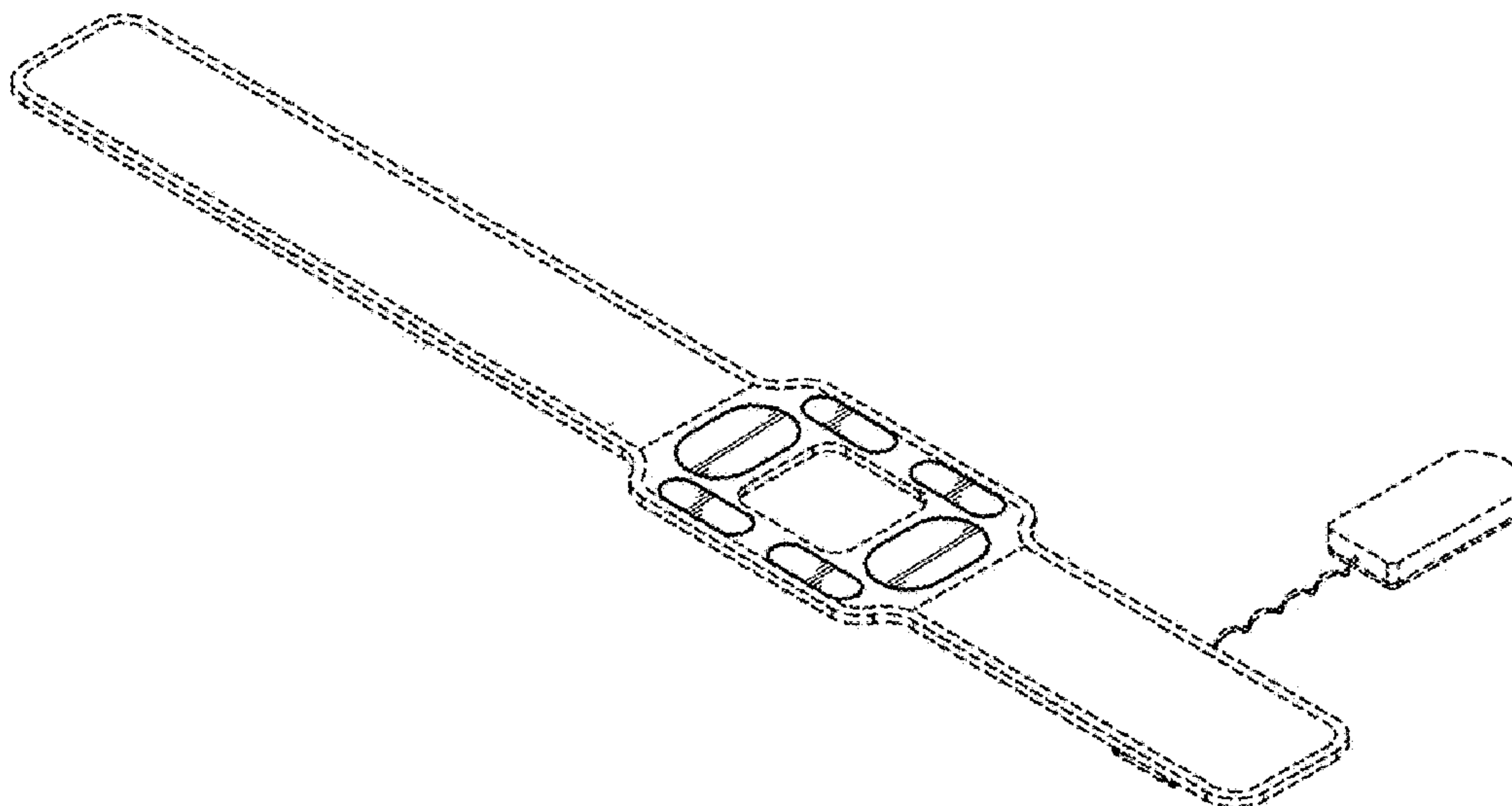
(57) **CLAIM**

The ornamental design for a wearable physiotherapeutic device, as shown and described.

**DESCRIPTION**

FIG. 1 is a front perspective view of a wearable physiotherapeutic device showing my new design;  
FIG. 2 is a front elevation view thereof;  
FIG. 3 is a rear elevation view thereof;  
FIG. 4 is a left side elevation view thereof;  
FIG. 5 is a right side elevation view thereof; and,  
FIG. 6 is a bottom plan view thereof.  
The broken-line disclosure in the views represents portions of the wearable physiotherapeutic device that form no part of the claimed design.

**1 Claim, 3 Drawing Sheets**



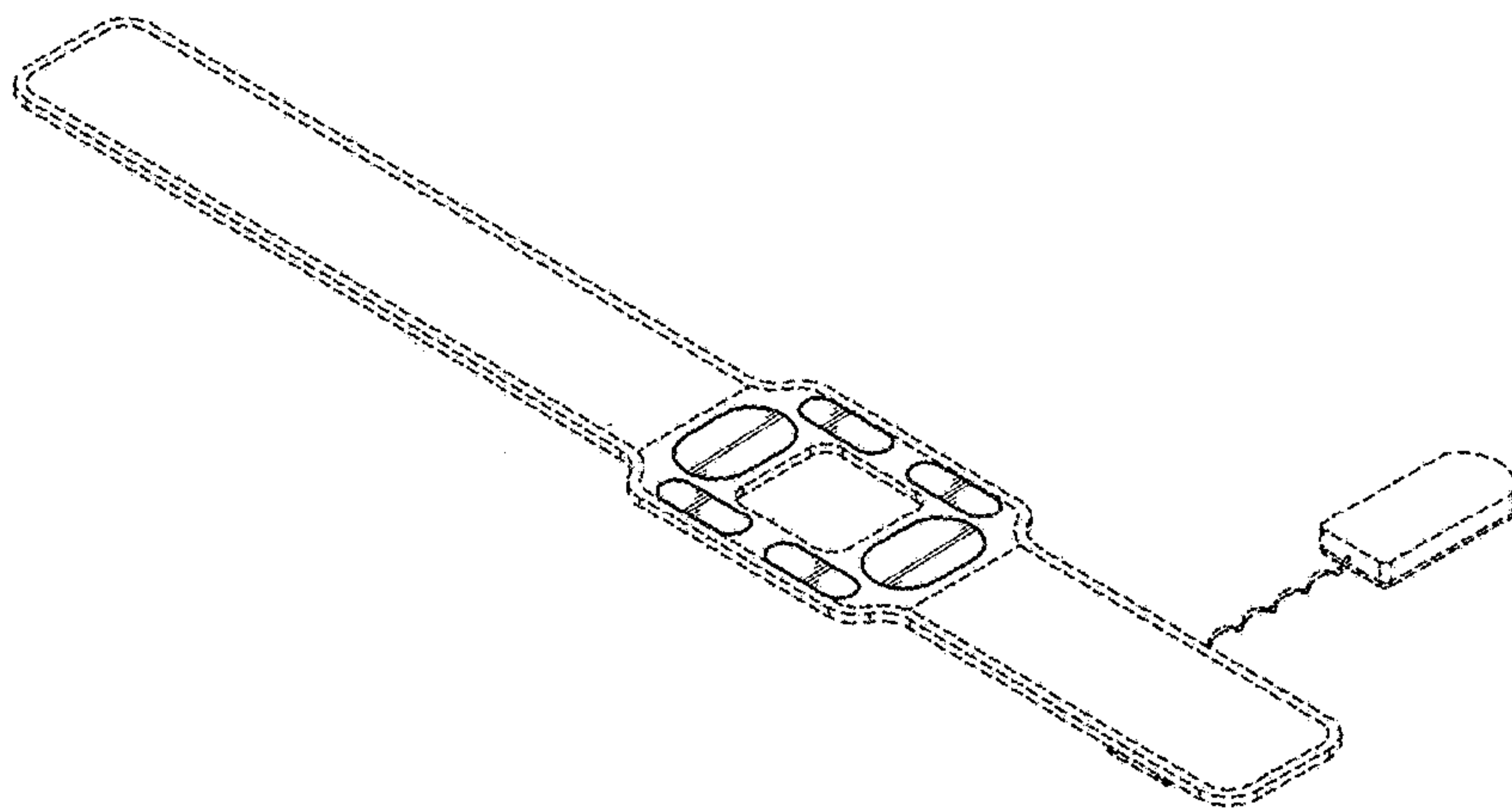


FIG. 1

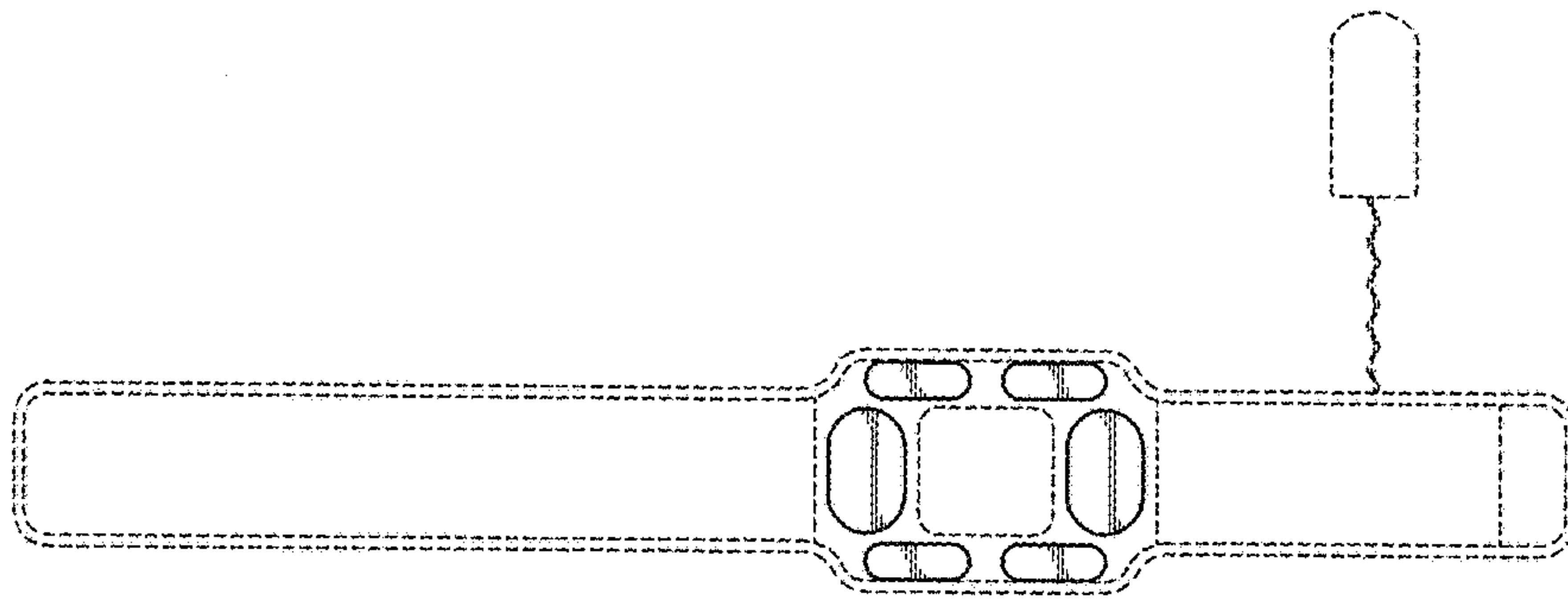


FIG. 2

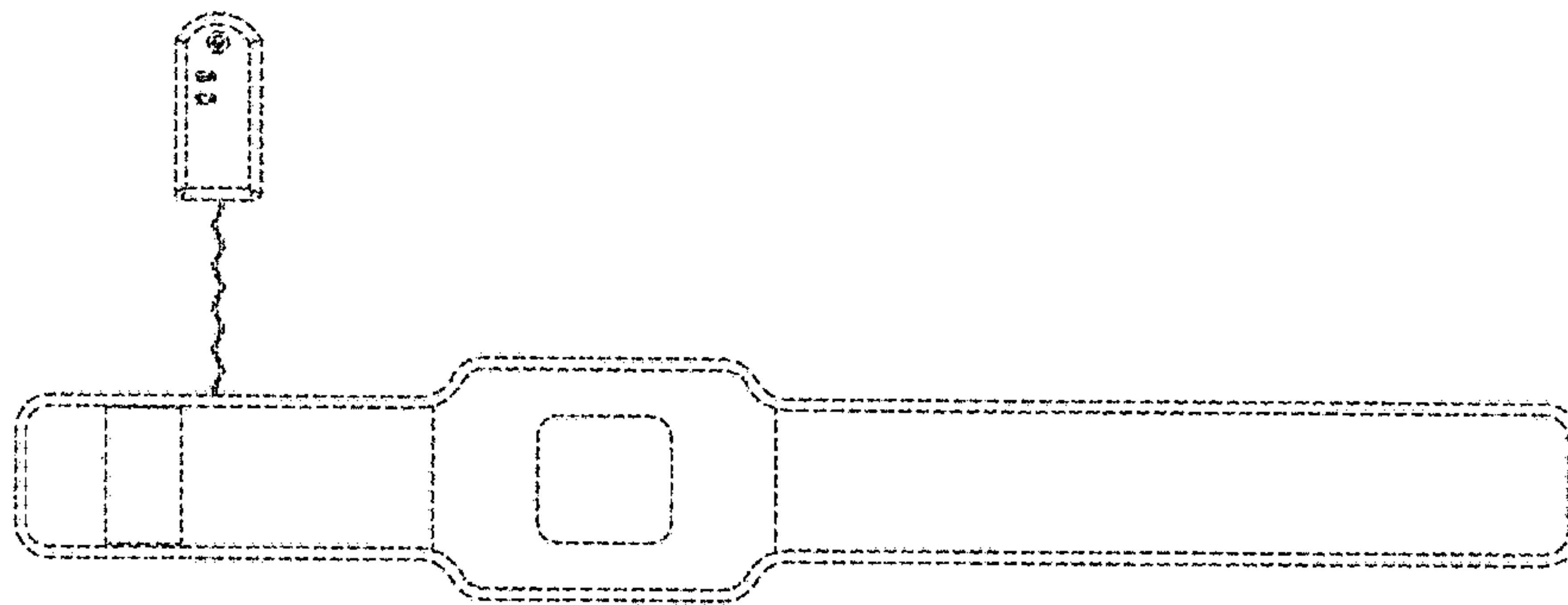


FIG. 3

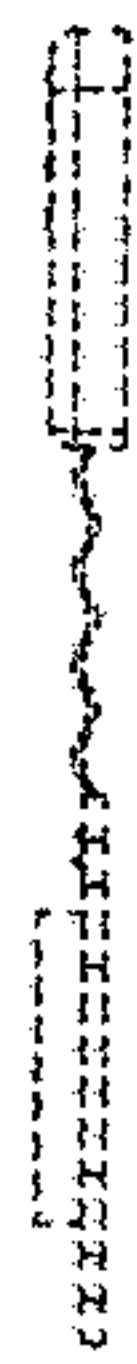


FIG. 4

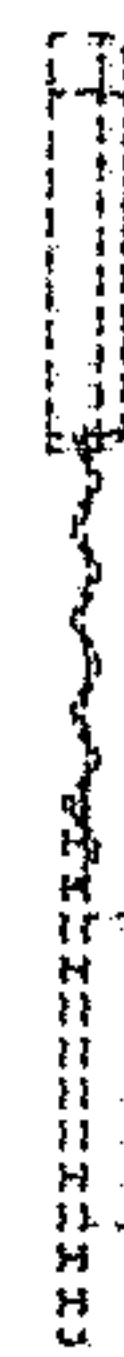


FIG. 5

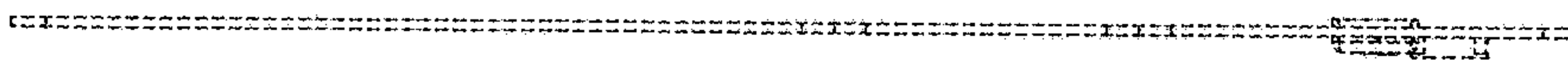


FIG. 6