

US00D854696S

(12) **United States Design Patent**
Herschap

(10) **Patent No.:** **US D854,696 S**

(45) **Date of Patent:** **** Jul. 23, 2019**

- (54) **BREAST SUPPORT DEVICE**
- (71) Applicant: **Melissa Herschap**, Rosanky, TX (US)
- (72) Inventor: **Melissa Herschap**, Rosanky, TX (US)
- (**) Term: **15 Years**
- (21) Appl. No.: **29/620,870**
- (22) Filed: **Jul. 31, 2017**
- (51) **LOC (11) Cl.** **24-04**
- (52) **U.S. Cl.**
USPC **D24/190**
- (58) **Field of Classification Search**
USPC D24/155, 183, 188-192, 199, 200, 206,
D24/212-214; D8/25, 26, 75-78;
D29/124
CPC A61B 2018/00333
See application file for complete search history.

- D611,785 S * 3/2010 Spradling D8/25
- D639,961 S * 6/2011 Gomez, Jr. D24/188
- D686,051 S * 7/2013 Darbinyan B25B 13/28
D8/25
- D696,407 S * 12/2013 Herman D24/188
- D734,860 S * 7/2015 Spiteri D24/189
- D744,661 S * 12/2015 Rizzi D24/189
- D765,852 S * 9/2016 Early D24/155
- D804,263 S * 12/2017 Landon D8/25
- D819,421 S * 6/2018 Huner D8/76

* cited by examiner

Primary Examiner — George D. Kirschbaum
Assistant Examiner — Darcey E Gottschalk
(74) *Attorney, Agent, or Firm* — Paul R. Martin

(57) **CLAIM**

The ornamental design for a breast support device, as shown and described.

DESCRIPTION

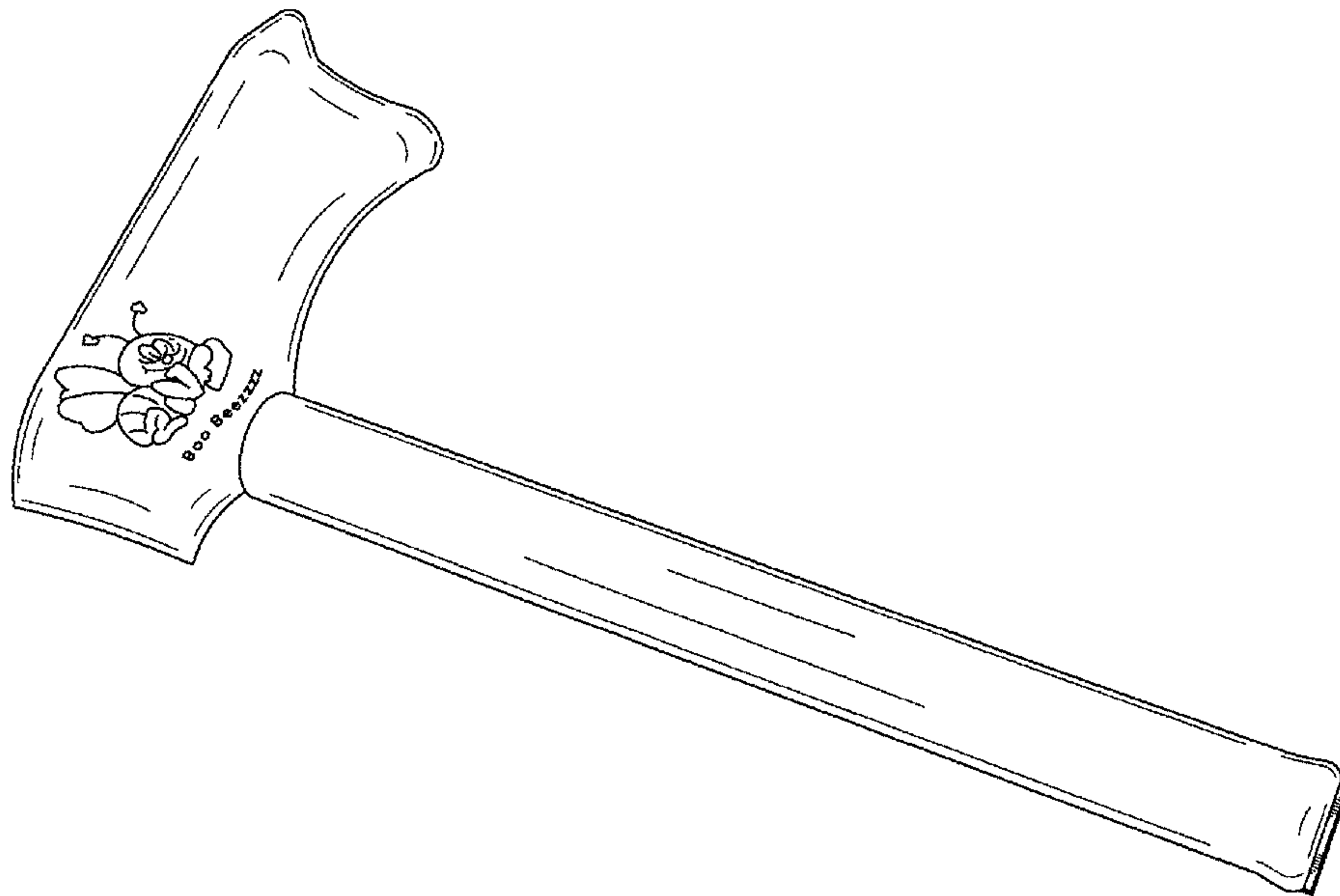
FIG. 1 is a perspective view of the breast support device of my new design.
FIG. 2 is a elevational view of the front thereof.
FIG. 3 is an elevational view of the back thereof.
FIG. 4 is an elevational view of the left side thereof.
FIG. 5 is an elevational view of the right side thereof.
FIG. 6 is a top plan view thereof; and,
FIG. 7 is a bottom plan view thereof.

1 Claim, 6 Drawing Sheets

(56) **References Cited**

U.S. PATENT DOCUMENTS

- D194,690 S * 2/1963 Cervenka D8/77
- D302,932 S * 8/1989 Chapin D8/75
- D465,714 S * 11/2002 Stump D8/75
- D552,245 S * 10/2007 Davis D24/188



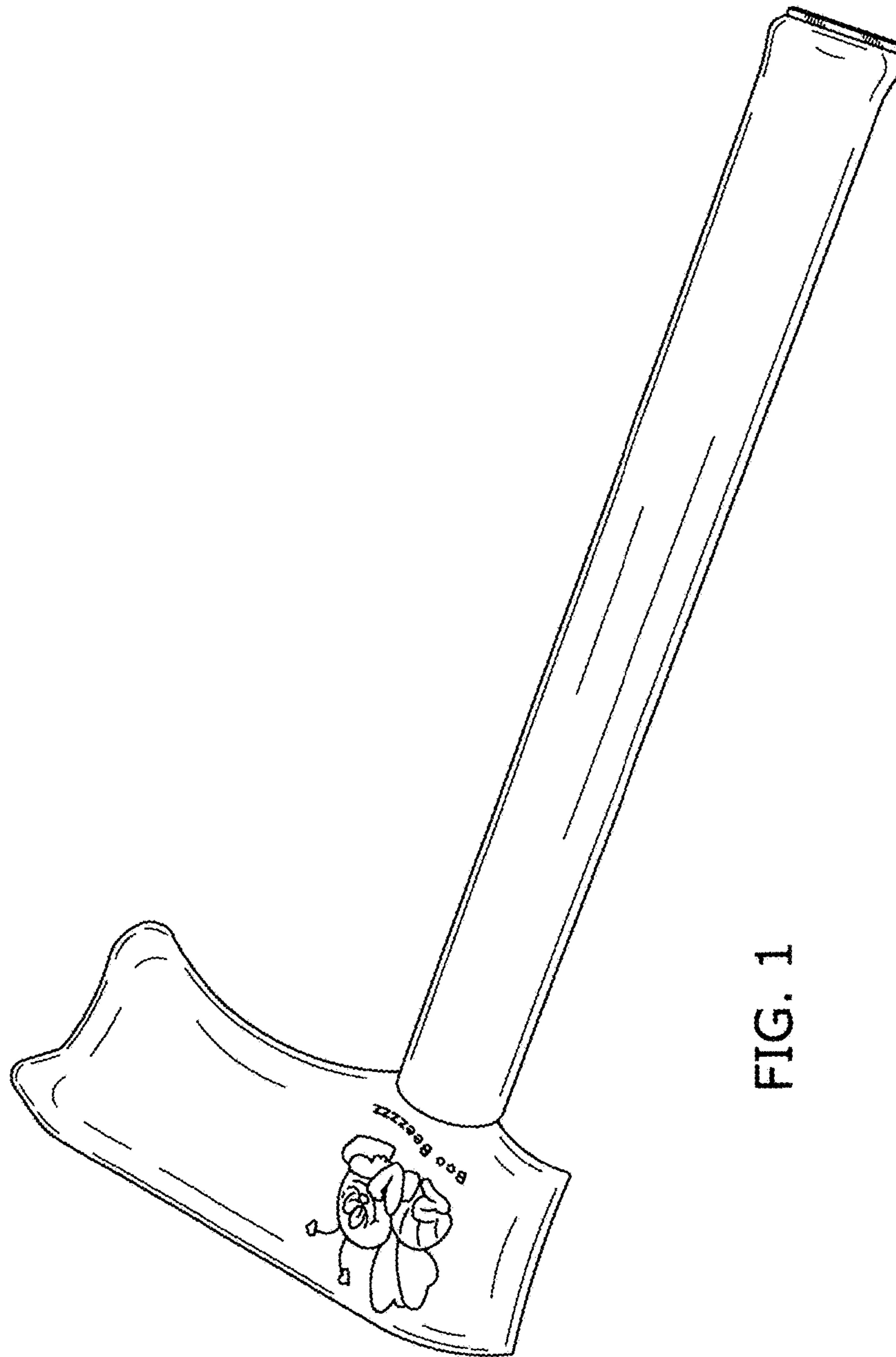


FIG. 1

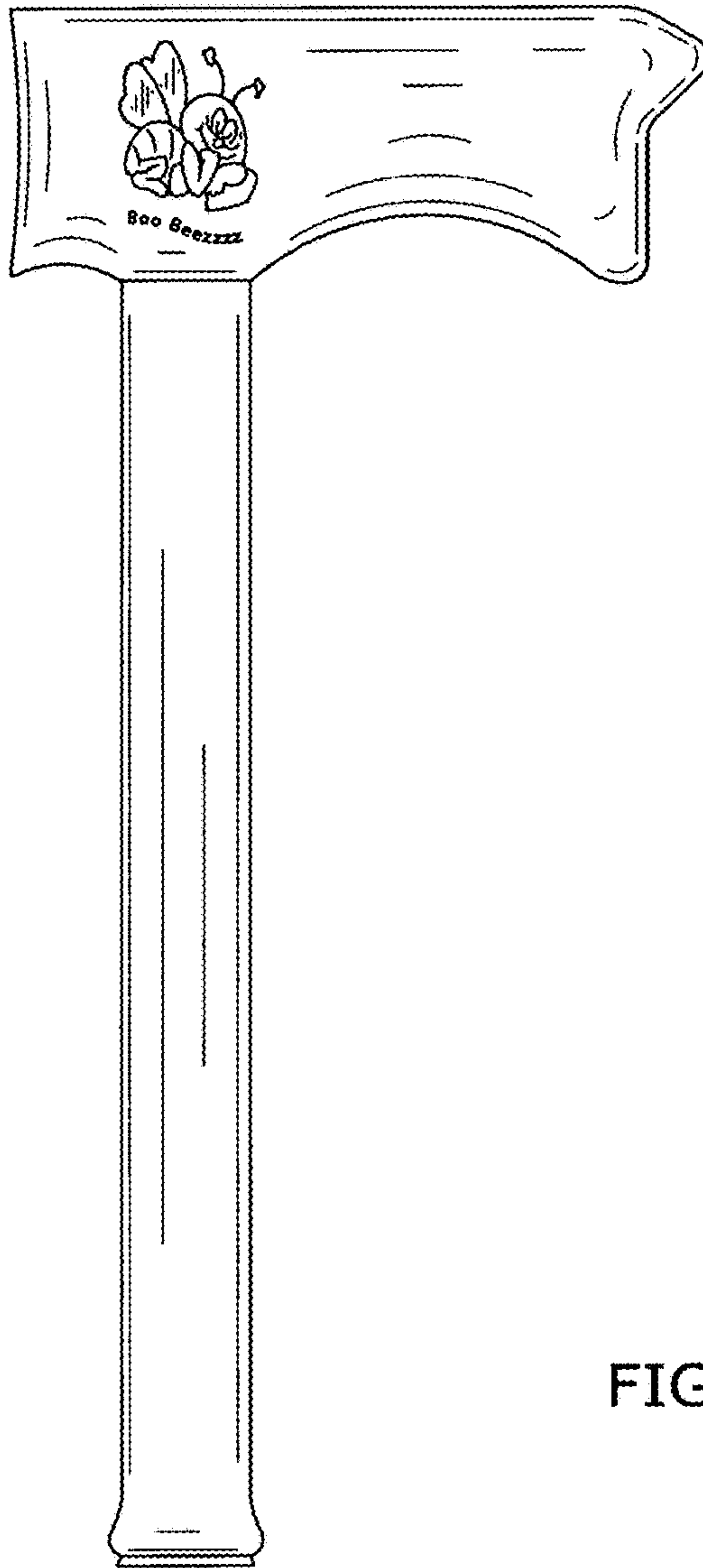


FIG. 2

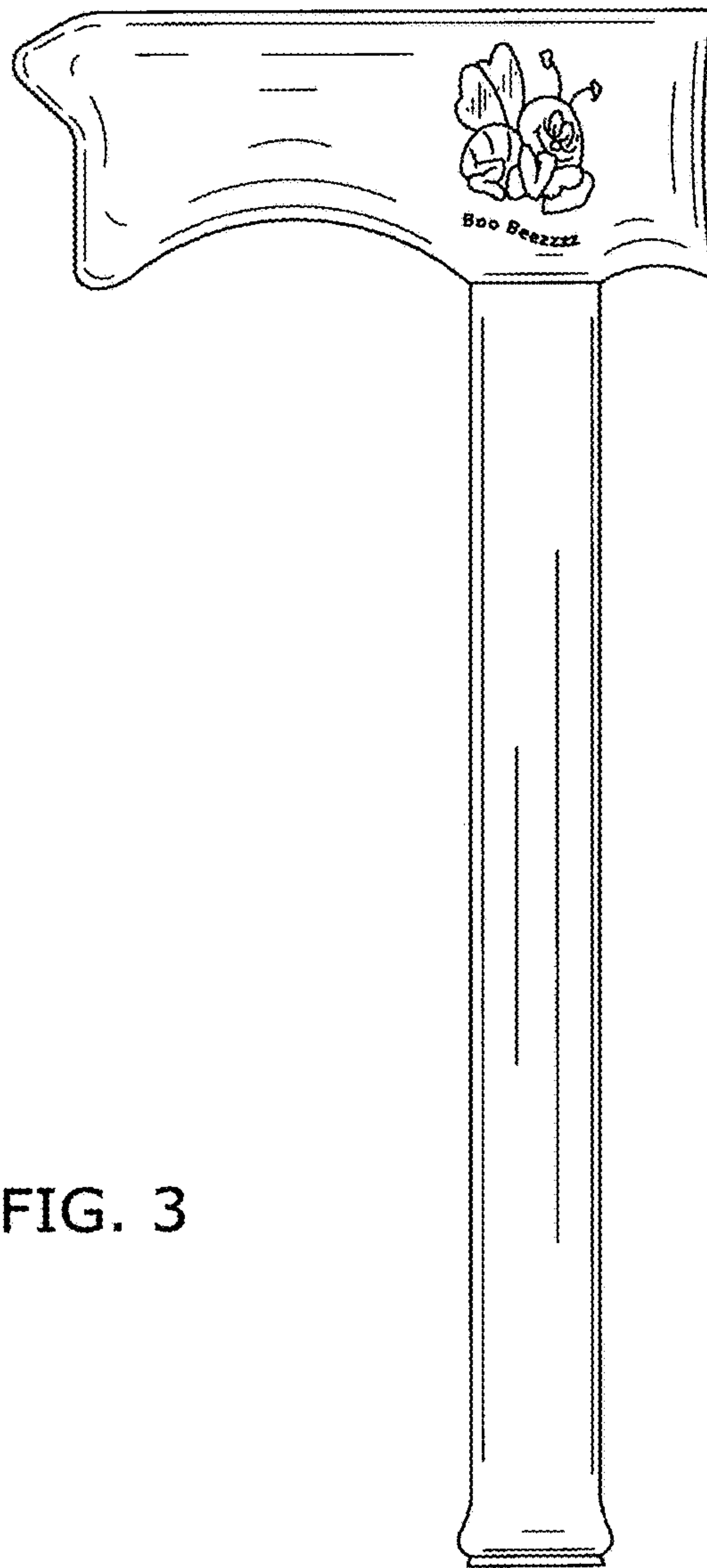


FIG. 3

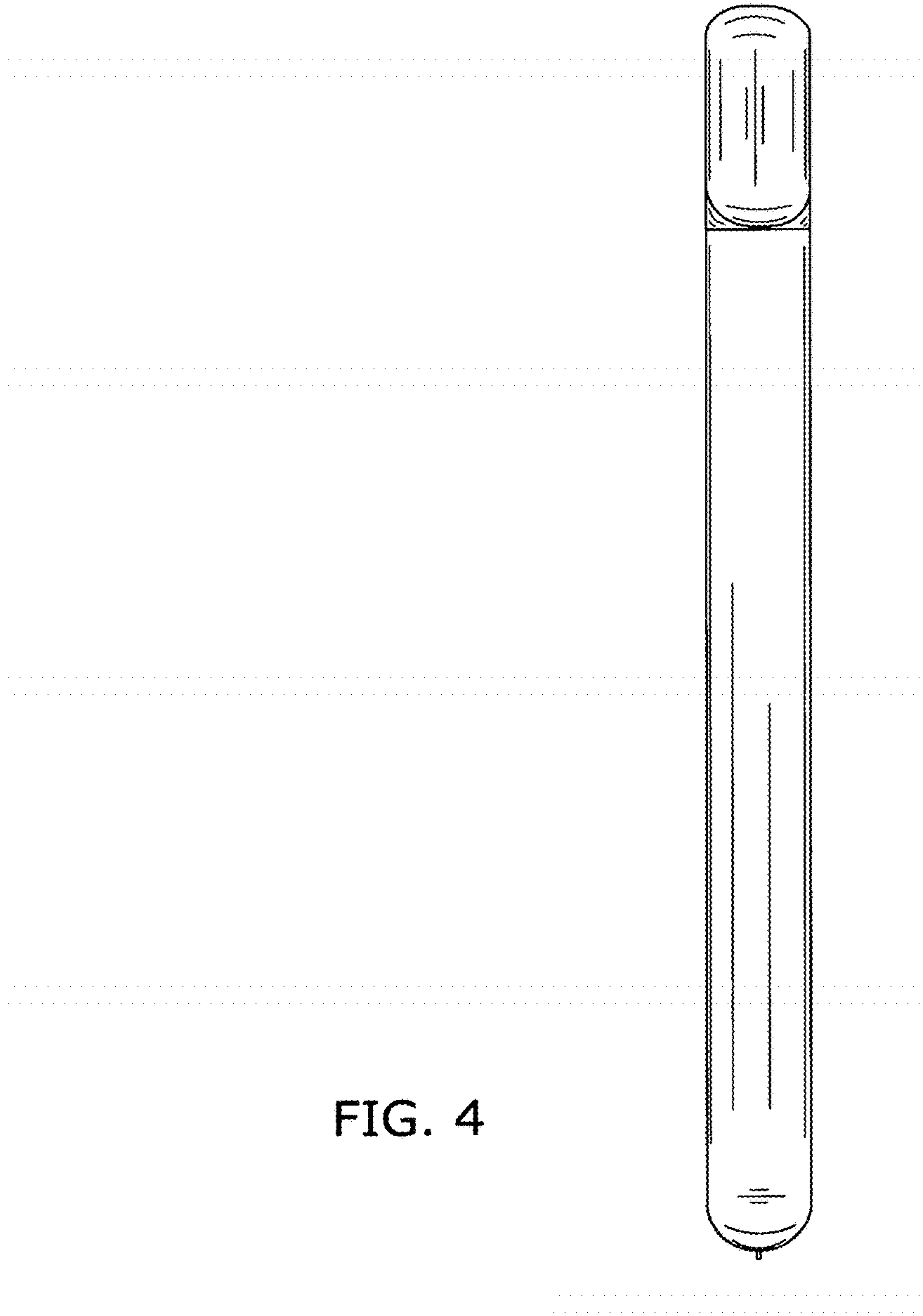


FIG. 4

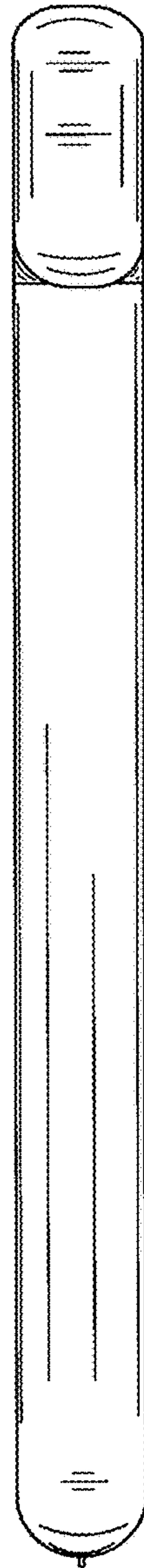


FIG. 5



FIG. 6

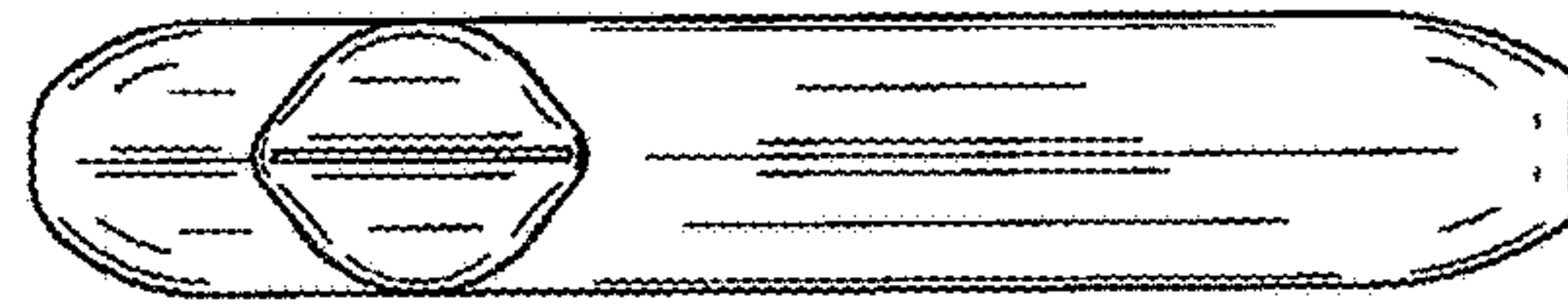


FIG. 7