



US00D854695S

(12) **United States Design Patent**
Patil et al.

(10) **Patent No.:** **US D854,695 S**

(45) **Date of Patent:** **** Jul. 23, 2019**

(54) **ULTRASOUND SIMULATOR DEVICE**

(71) Applicant: **General Electric Company,**
Schenectady, NY (US)

(72) Inventors: **Mahendra Madhukar Patil,** Bangalore
(IN); **Chandan Kumar Aladahalli,**
Bangalore (IN); **Krishna Shriram,**
Bangalore (IN); **Rakesh Mullick,**
Bangalore (IN); **Amit Singh,** Bangalore
(IN)

(73) Assignee: **General Electric Company,**
Schenectady, NY (US)

(**) Term: **15 Years**

(21) Appl. No.: **29/626,578**

(22) Filed: **Nov. 17, 2017**

(30) **Foreign Application Priority Data**

May 22, 2017 (IN) 293994

(51) **LOC (11) Cl.** **24-01**

(52) **U.S. Cl.**
USPC **D24/186**

(58) **Field of Classification Search**
USPC D24/152, 158, 160, 161, 186, 187, 231;
D10/78; D14/420, 426
CPC A61B 8/445; A61B 8/4455; A61B 8/4461
See application file for complete search history.

(56) **References Cited**

U.S. PATENT DOCUMENTS

D493,796 S * 8/2004 Lin D14/426
D603,050 S * 10/2009 Chen D24/187

D732,672 S * 6/2015 Lewis, Jr. D24/187
D739,948 S * 9/2015 Purfey D24/187
D753,308 S * 4/2016 Marinkovich D24/186
D783,838 S * 4/2017 Zhao D24/186
D798,170 S * 9/2017 Toth D24/186
D806,254 S * 12/2017 Im D24/186

* cited by examiner

Primary Examiner — Anhdao Doan

(74) *Attorney, Agent, or Firm* — McCoy Russell LLP

(57) **CLAIM**

The ornamental design for an ultrasound simulator device,
as shown and described.

DESCRIPTION

FIG. 1 is a perspective view of an ultrasound simulator device according to an embodiment of the present invention. FIG. 2 is a front view of the ultrasound simulator device of FIG. 1.

FIG. 3 is a rear view of the ultrasound simulator device of FIG. 1.

FIG. 4 is a left side view of the ultrasound simulator device of FIG. 1.

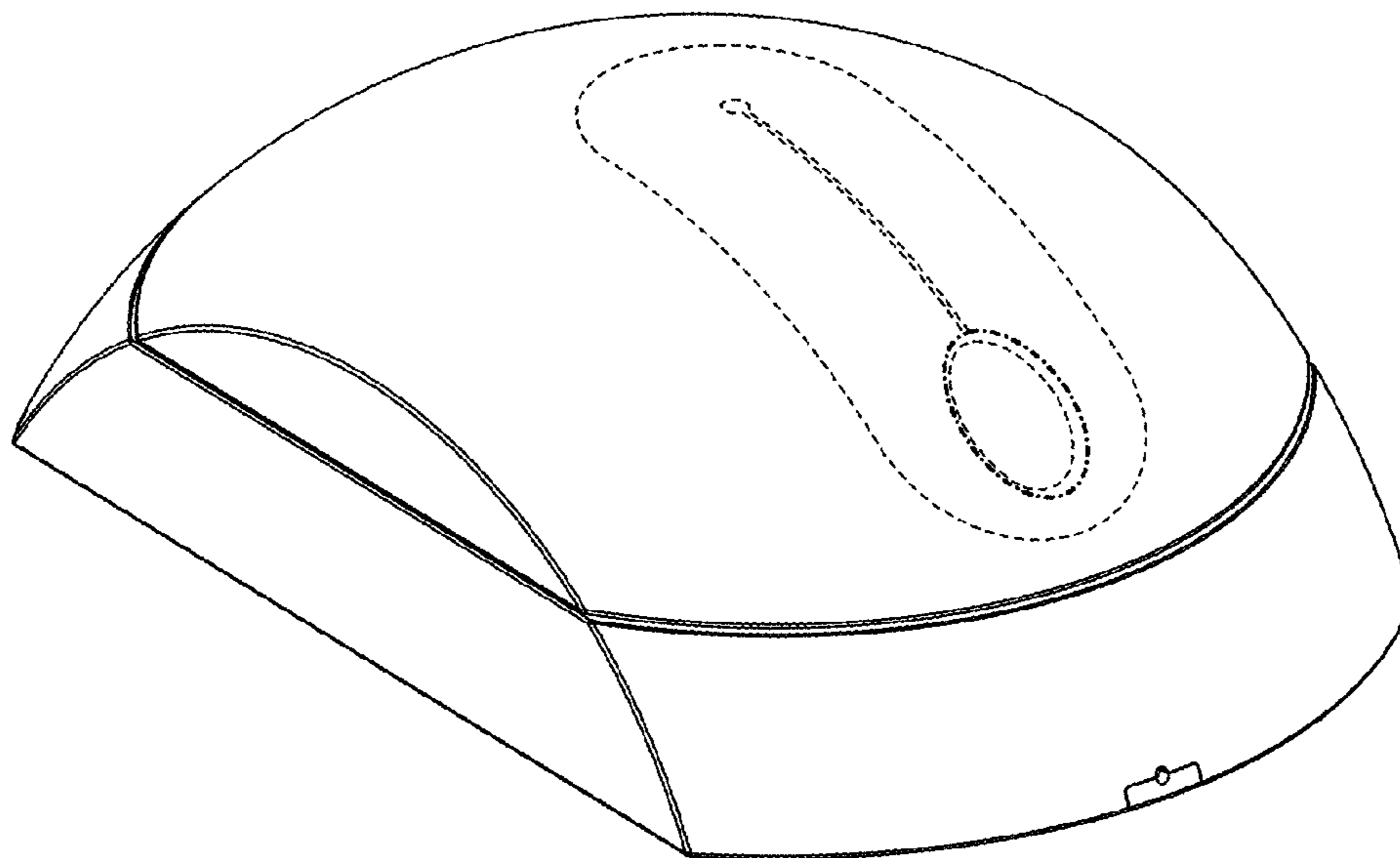
FIG. 5 is a right side view of the ultrasound simulator device of FIG. 1.

FIG. 6 is a top view of the ultrasound simulator device of FIG. 1; and,

FIG. 7 is a bottom view for the ultrasound simulator device of FIG. 1.

The dash-dot-dash broken lines represent the bounds of the claim, while all other broken lines are directed to environment and are for illustrative purposes only; the broken lines form no part of the claimed design.

1 Claim, 4 Drawing Sheets



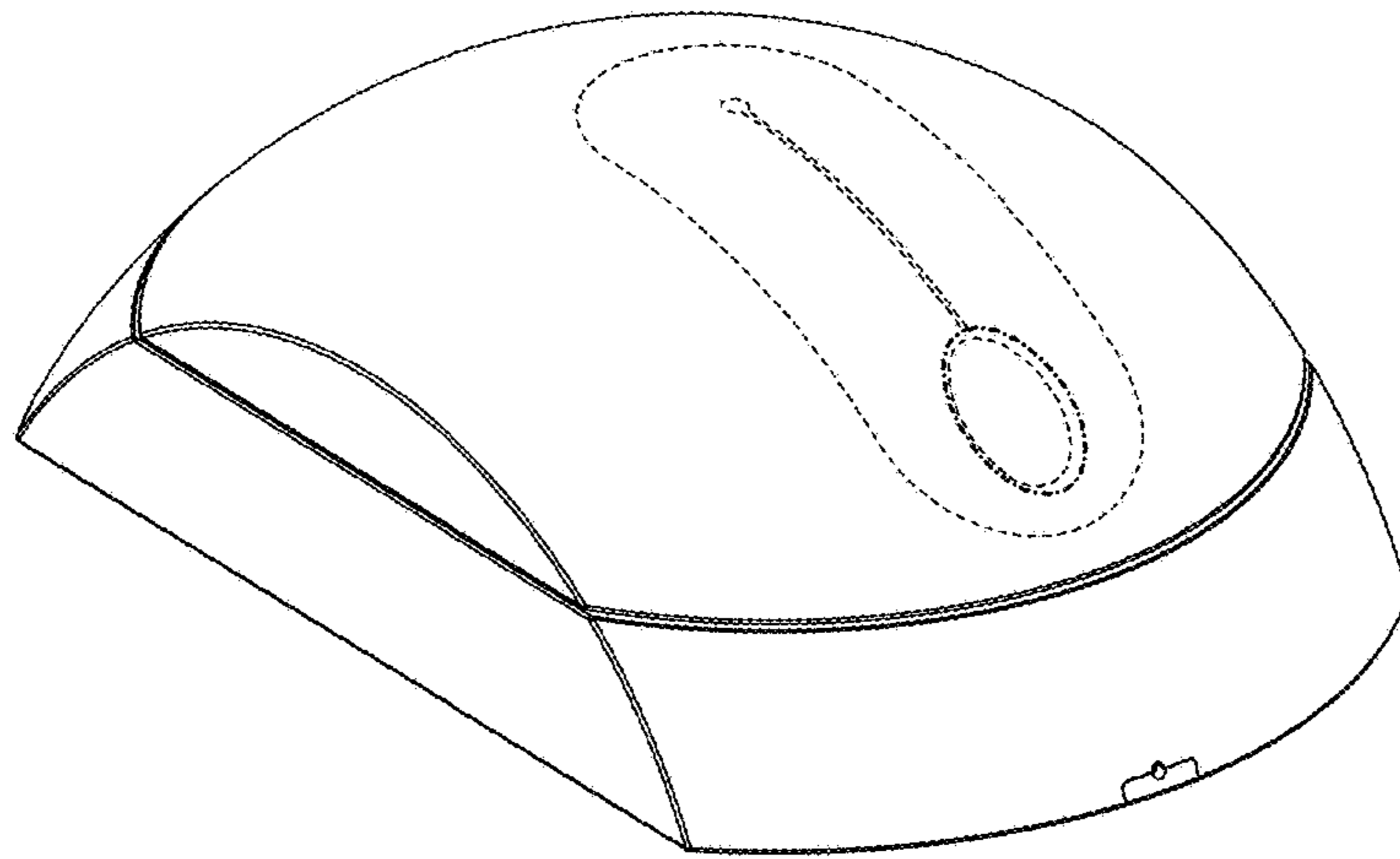


FIG. 1

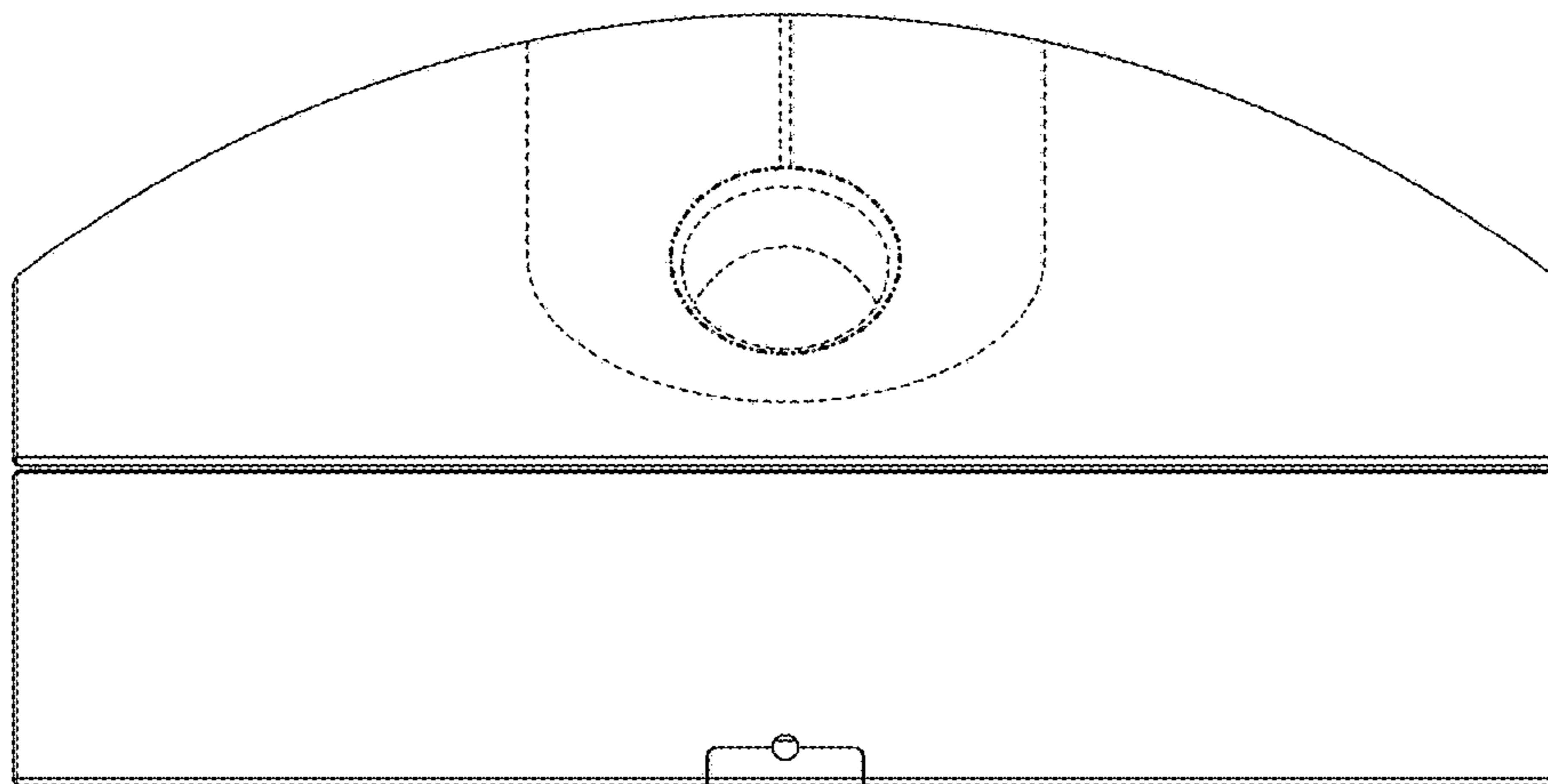


FIG. 2

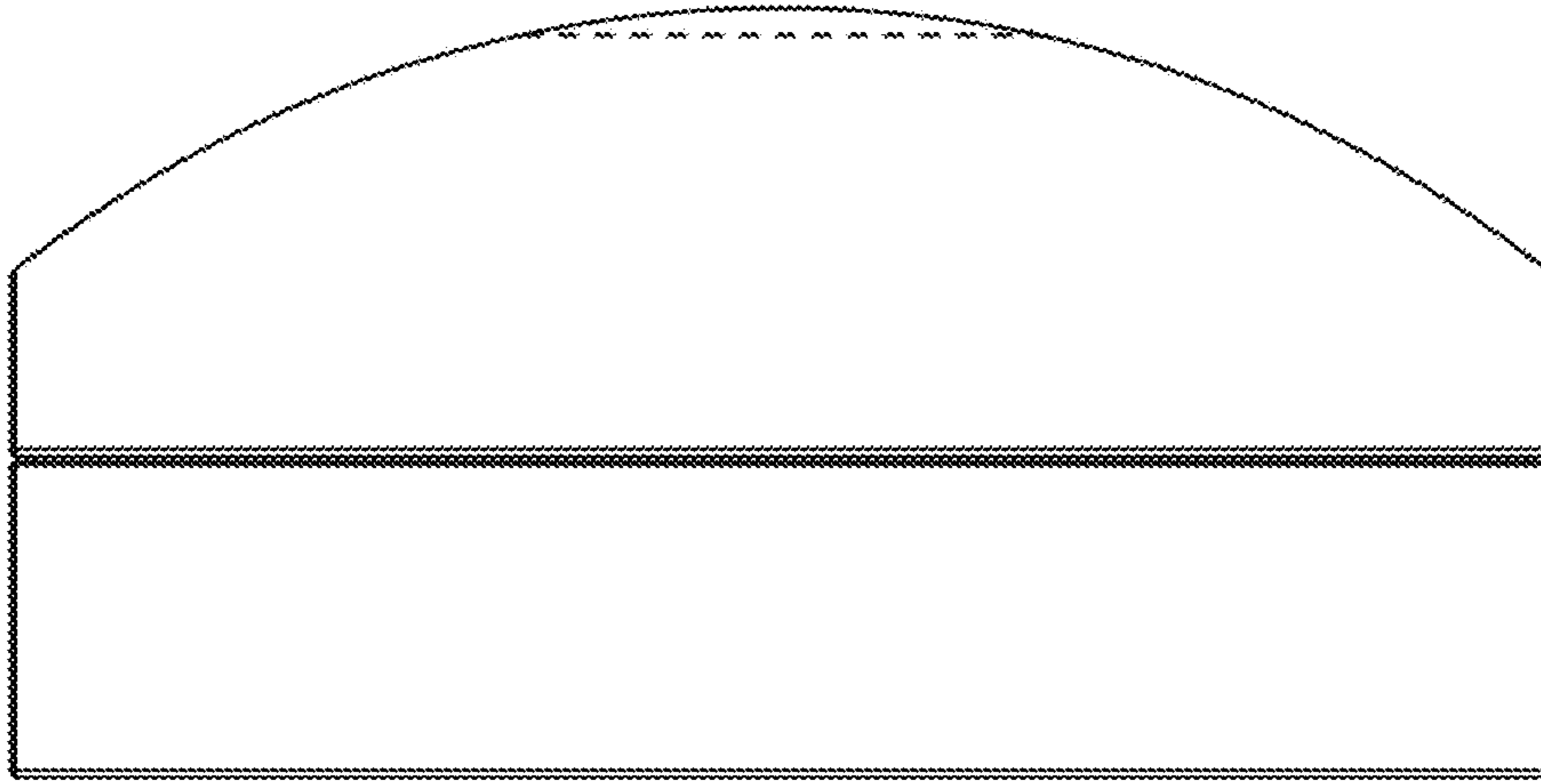


FIG. 3

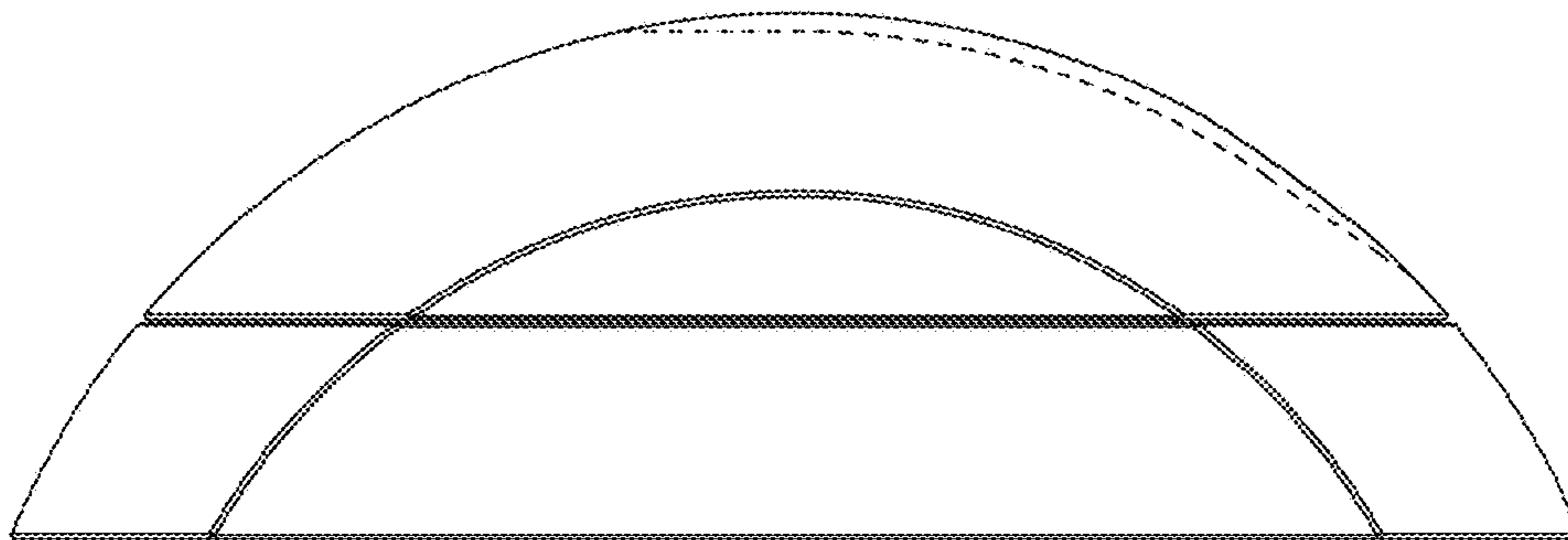


FIG. 4

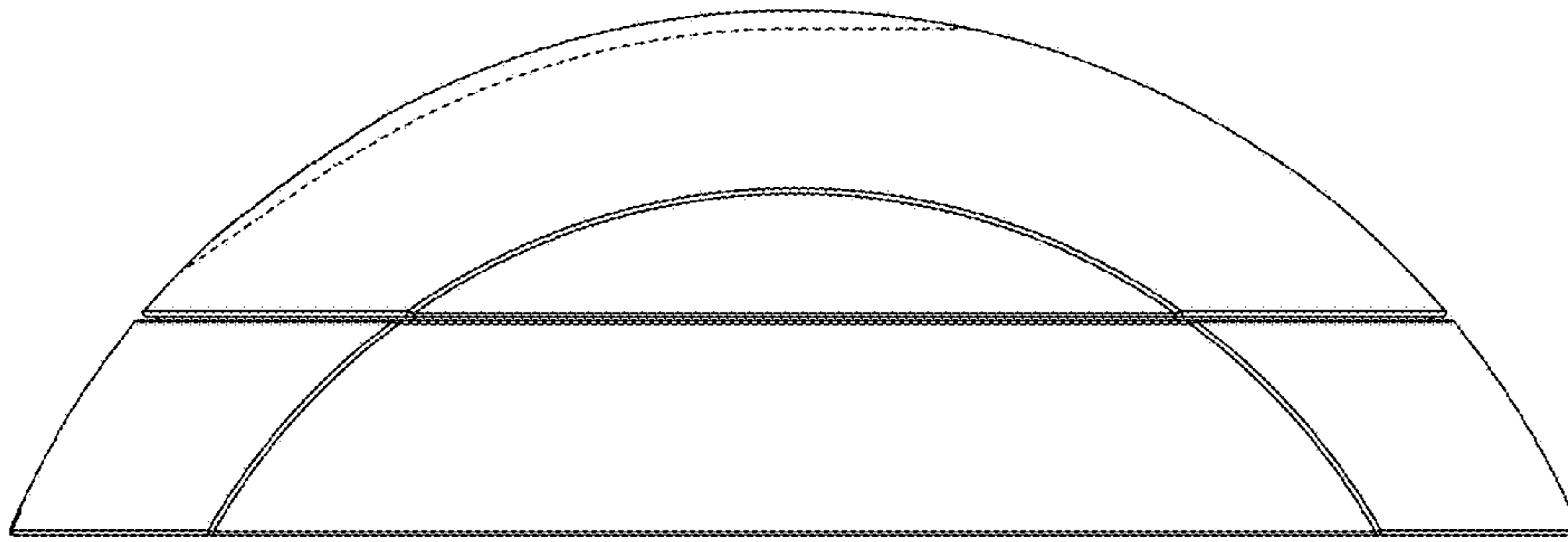


FIG. 5

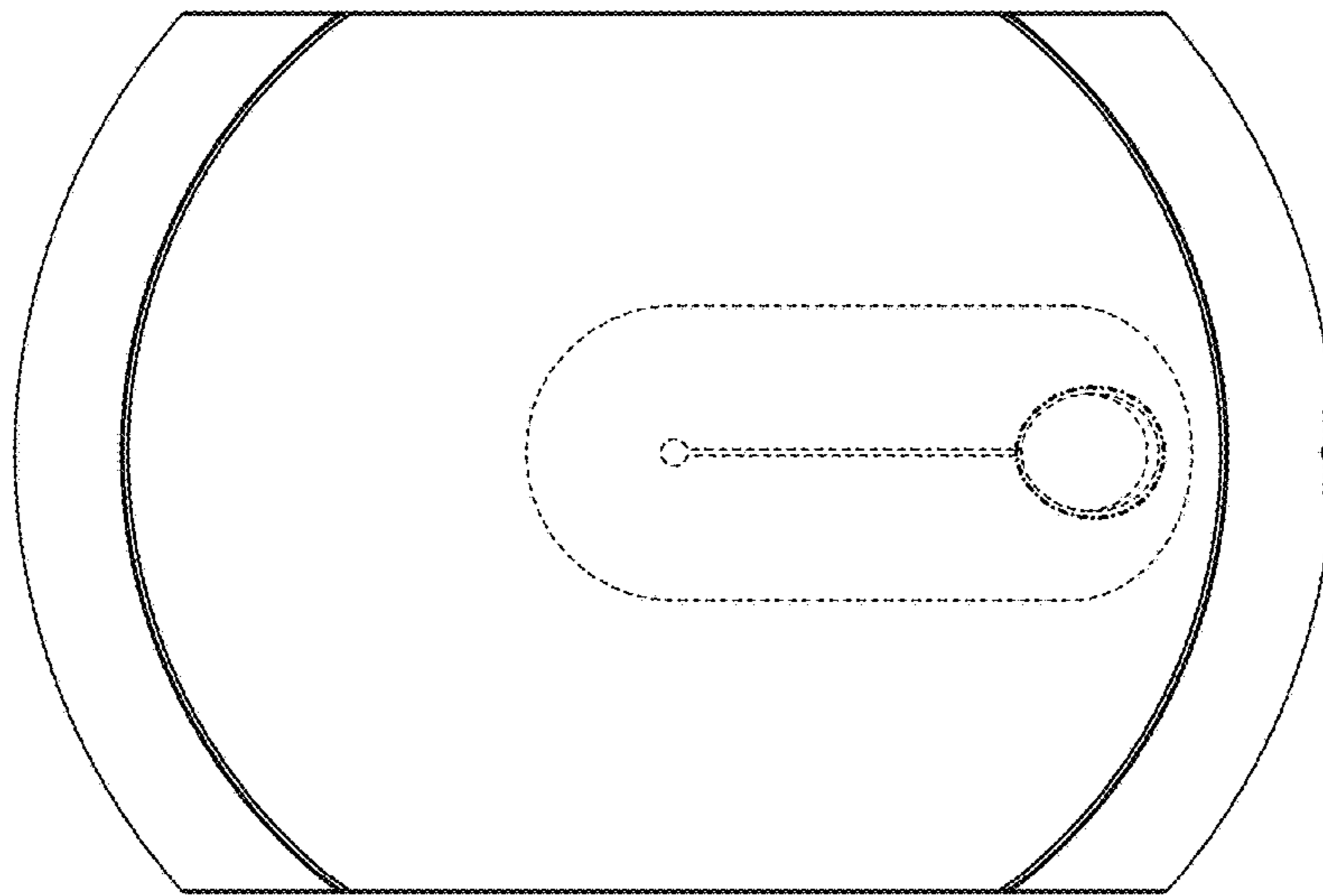


FIG. 6

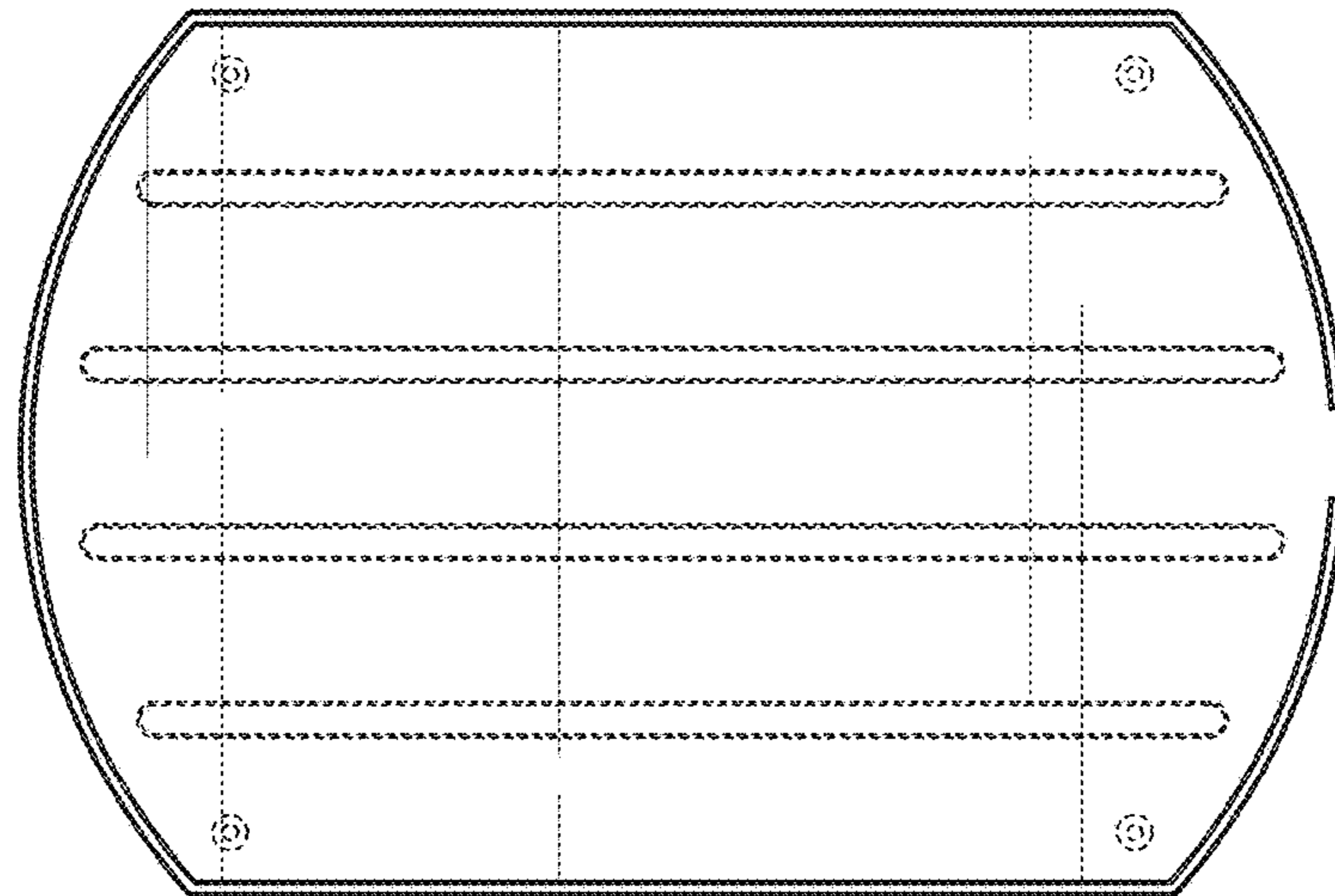


FIG. 7