



US00D854693S

(12) **United States Design Patent**  
**Goldsmith**

(10) **Patent No.:** **US D854,693 S**

(45) **Date of Patent:** **\*\* Jul. 23, 2019**

(54) **MULTI-PLANE STABILISER**

(71) Applicant: **SIMPLE STUFF WORKS ASSOCIATES LTD**, Oldbury (GB)

(72) Inventor: **John Edward Goldsmith**, Tamworth (GB)

(73) Assignee: **SIMPLE STUFF WORKS ASSOCIATES LTD**, Oldbury (GB)

(\*\*) Term: **15 Years**

(21) Appl. No.: **29/603,003**

(22) Filed: **May 5, 2017**

(30) **Foreign Application Priority Data**

Nov. 21, 2016 (GB) ..... 1619650.3

(51) **LOC (11) Cl.** ..... **24-02**

(52) **U.S. Cl.**  
USPC ..... **D24/171**

(58) **Field of Classification Search**  
USPC ..... D15/199; D24/171, 183, 184, 190  
CPC ..... G11B 7/003; G11B 15/64; G11B 21/16  
See application file for complete search history.

(56) **References Cited**

**U.S. PATENT DOCUMENTS**

4,354,485 A \* 10/1982 Safadago ..... A61G 13/009  
606/242  
4,506,664 A \* 3/1985 Brault ..... A61F 5/05883  
5/628

D311,470 S \* 10/1990 Cosgrove, III ..... 5/648  
D345,797 S \* 4/1994 Gardner ..... 5/648  
D438,624 S \* 3/2001 Reina ..... D24/190  
D467,344 S \* 12/2002 van den Heuvel ..... D24/183  
D719,265 S \* 12/2014 Wang ..... D24/171  
D749,230 S \* 2/2016 Safko ..... D24/190  
D775,352 S \* 12/2016 Mills ..... D24/171  
D775,353 S \* 12/2016 Anderson ..... D24/171  
D799,052 S \* 10/2017 Rossouw ..... D24/190  
D811,614 S \* 2/2018 Marton ..... D24/190  
D826,410 S \* 8/2018 Christensen ..... D24/183  
D841,819 S \* 2/2019 Clark ..... D24/183

\* cited by examiner

*Primary Examiner* — Patricia A Palasik

(74) *Attorney, Agent, or Firm* — Hodgson Russ LLP

(57) **CLAIM**

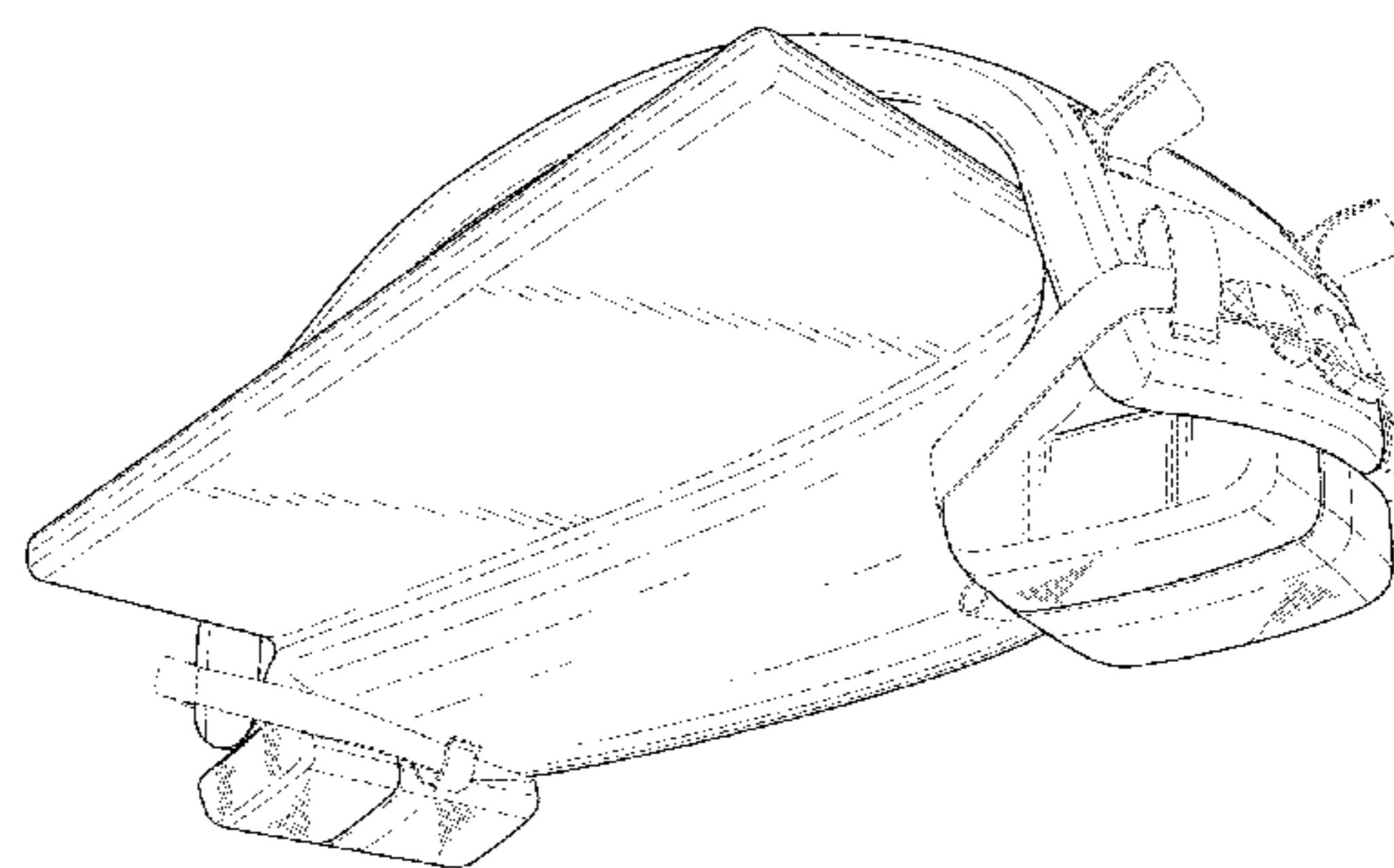
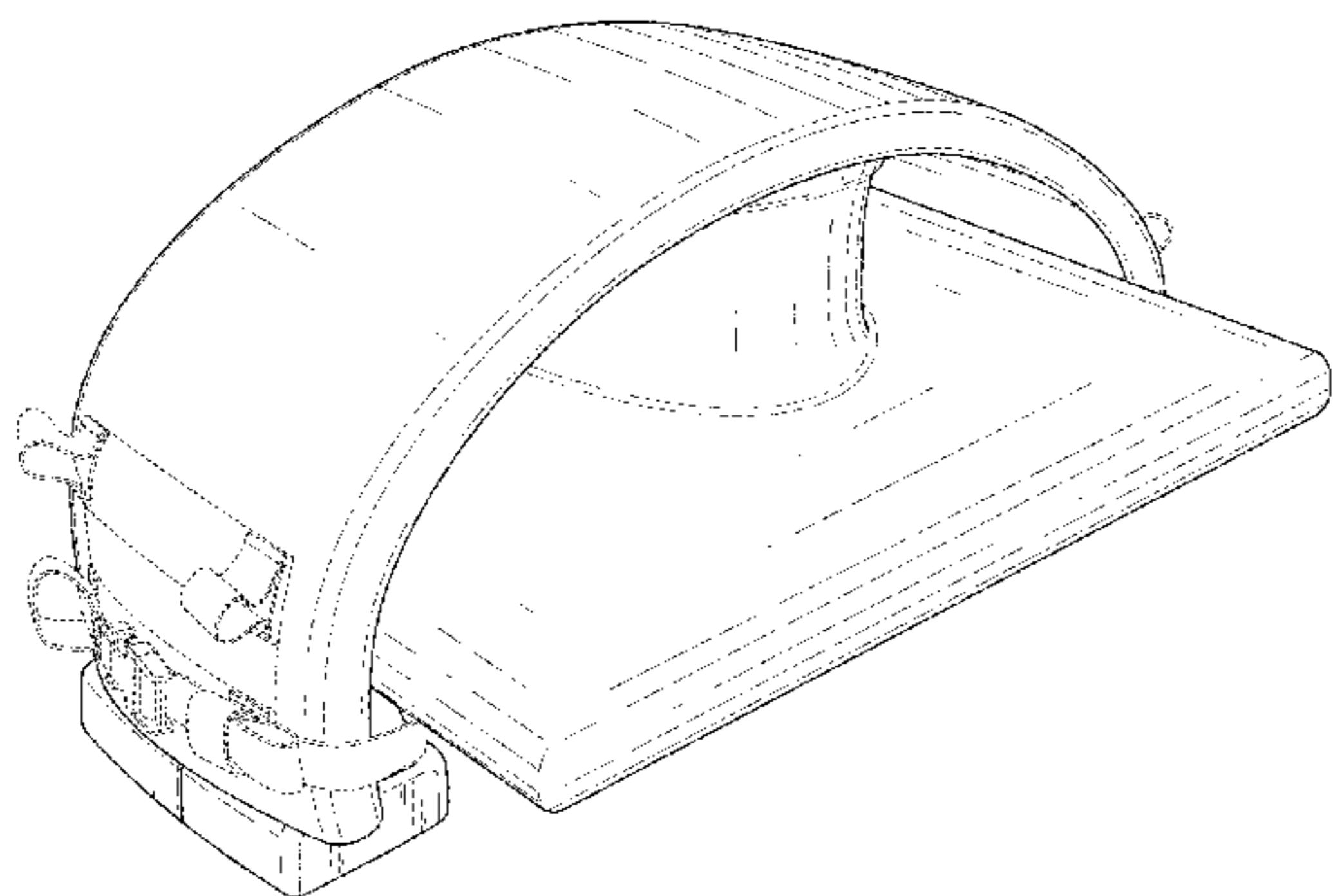
The ornamental design for a multi-plane stabiliser, as shown and described.

**DESCRIPTION**

FIG. 1 is a top perspective view of a multi-plane stabiliser; FIG. 2 is a bottom perspective view thereof; FIG. 3 is a front elevation view thereof; FIG. 4 is a rear elevation view thereof; FIG. 5 is a left side elevation view thereof; FIG. 6 is a right side view thereof; FIG. 7 is a top plan view thereof; and, FIG. 8 is a bottom plan view thereof.

The broken lines represent unclaimed features that form no part of the claimed design.

**1 Claim, 8 Drawing Sheets**



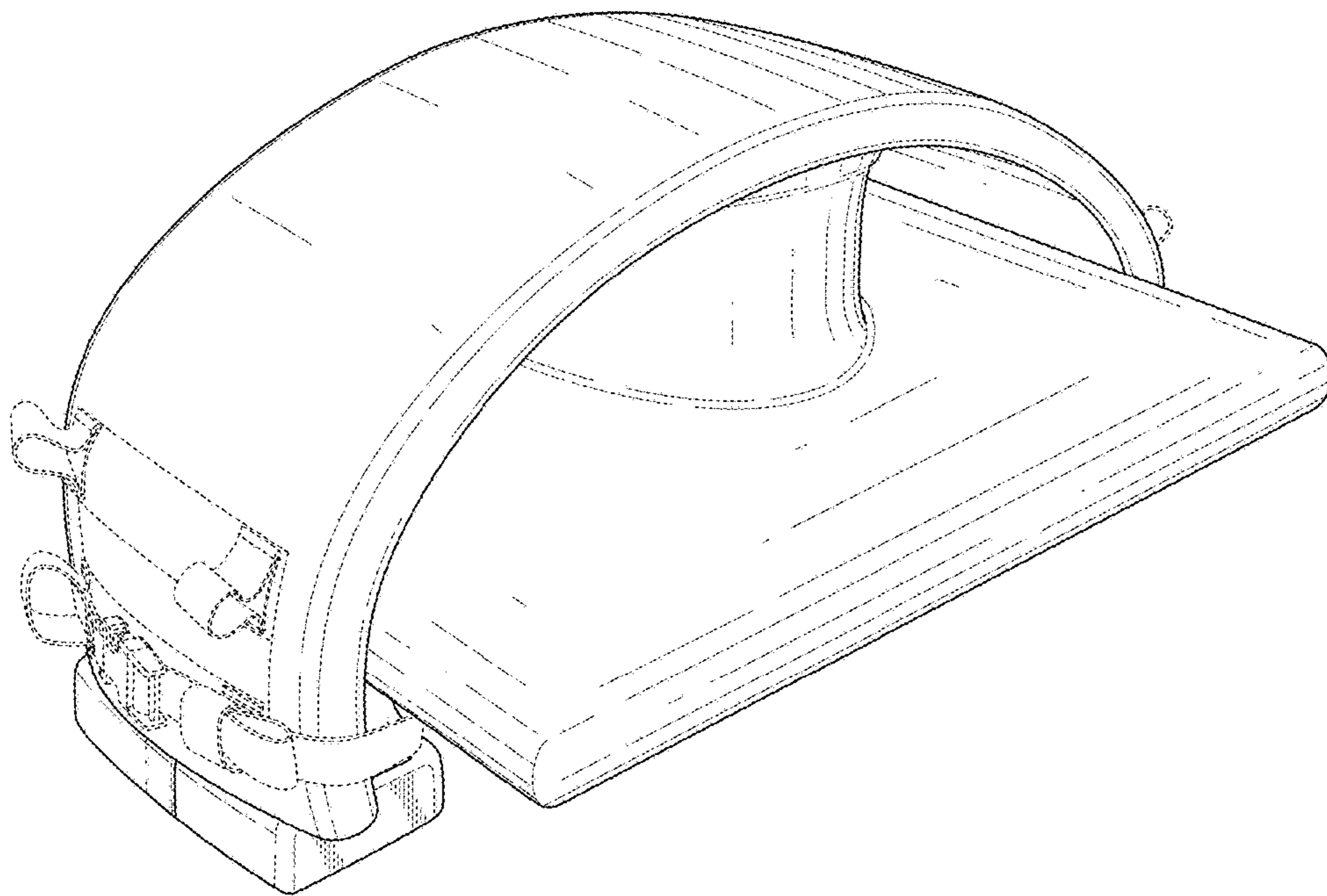


FIG. 1

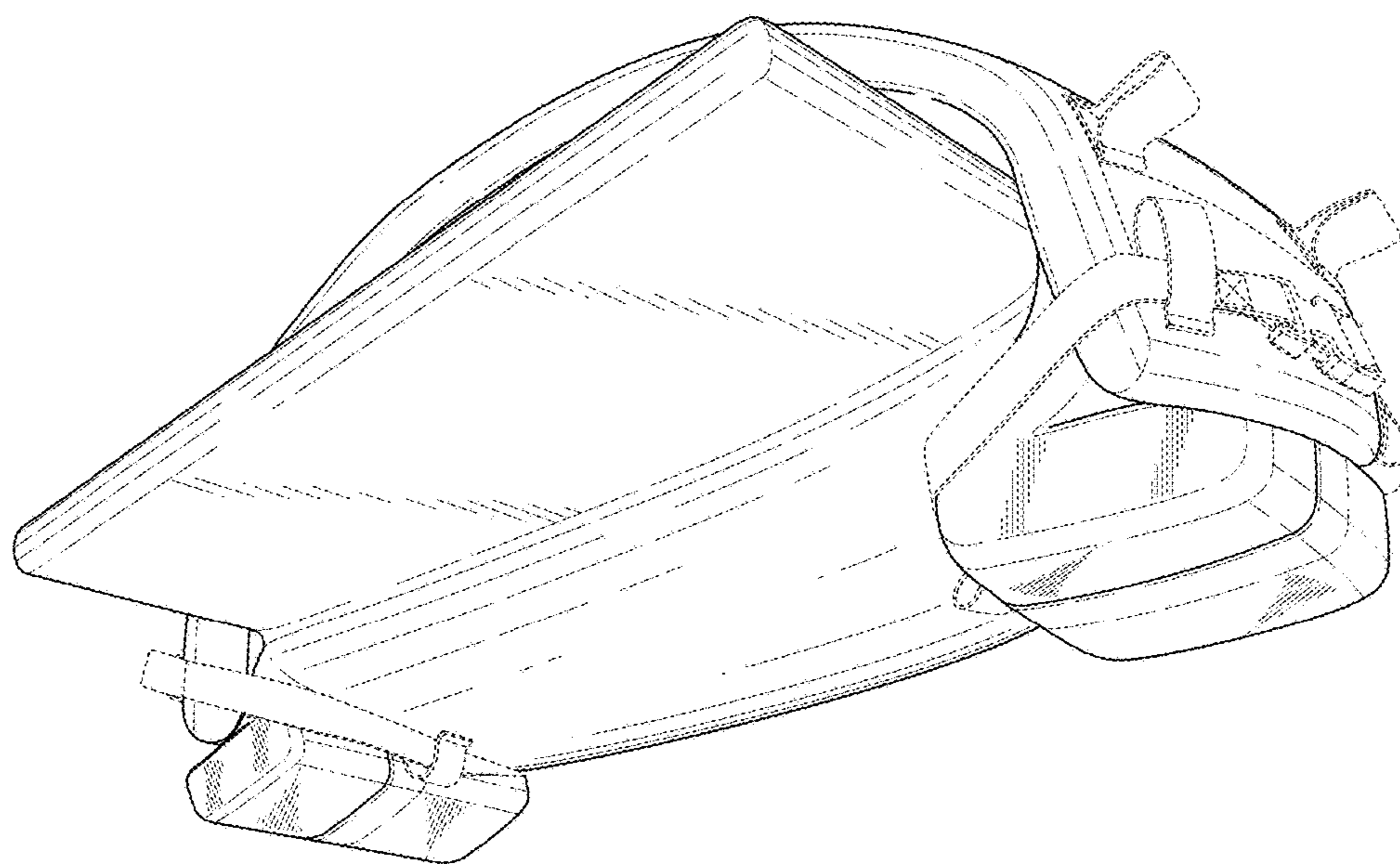


FIG. 2

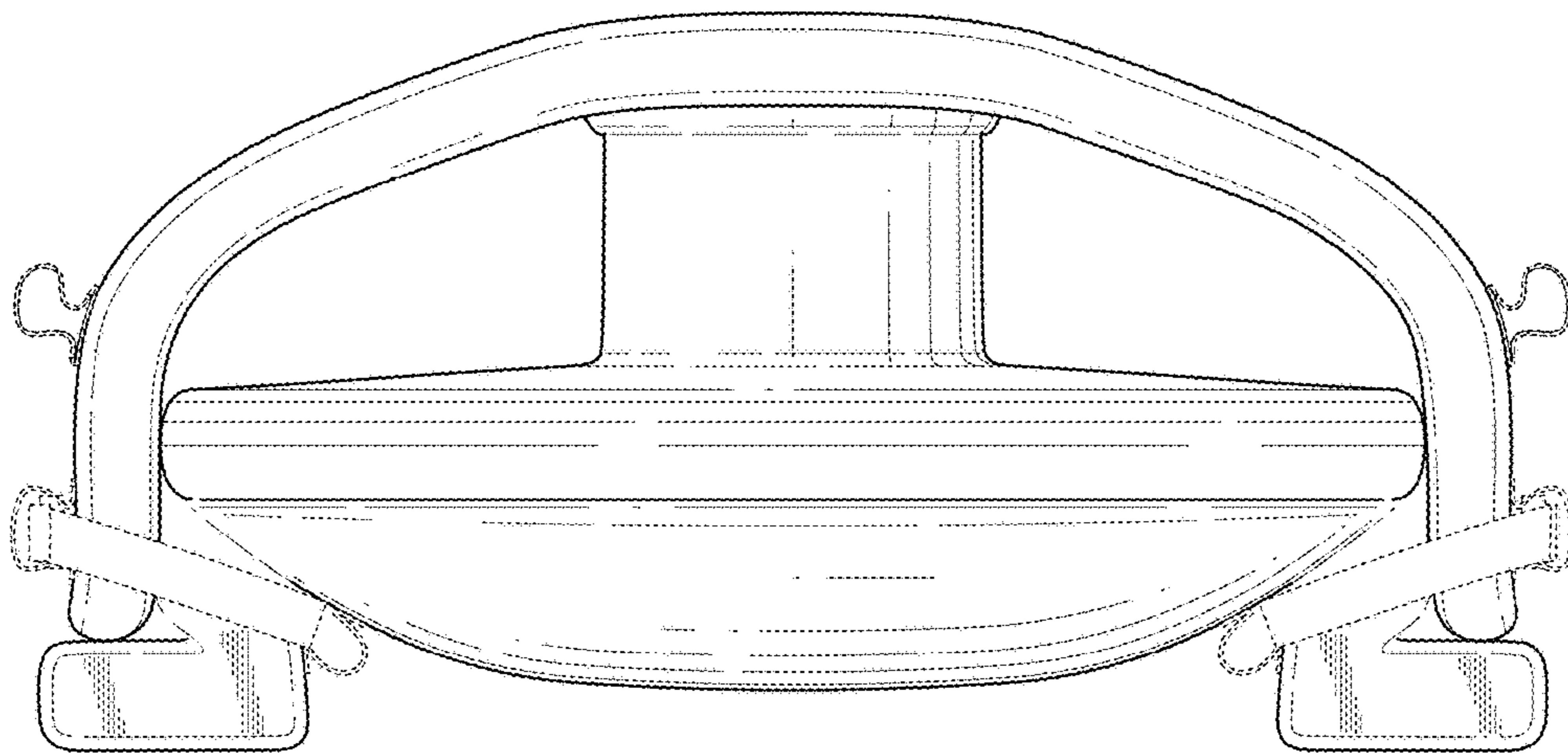


FIG. 3

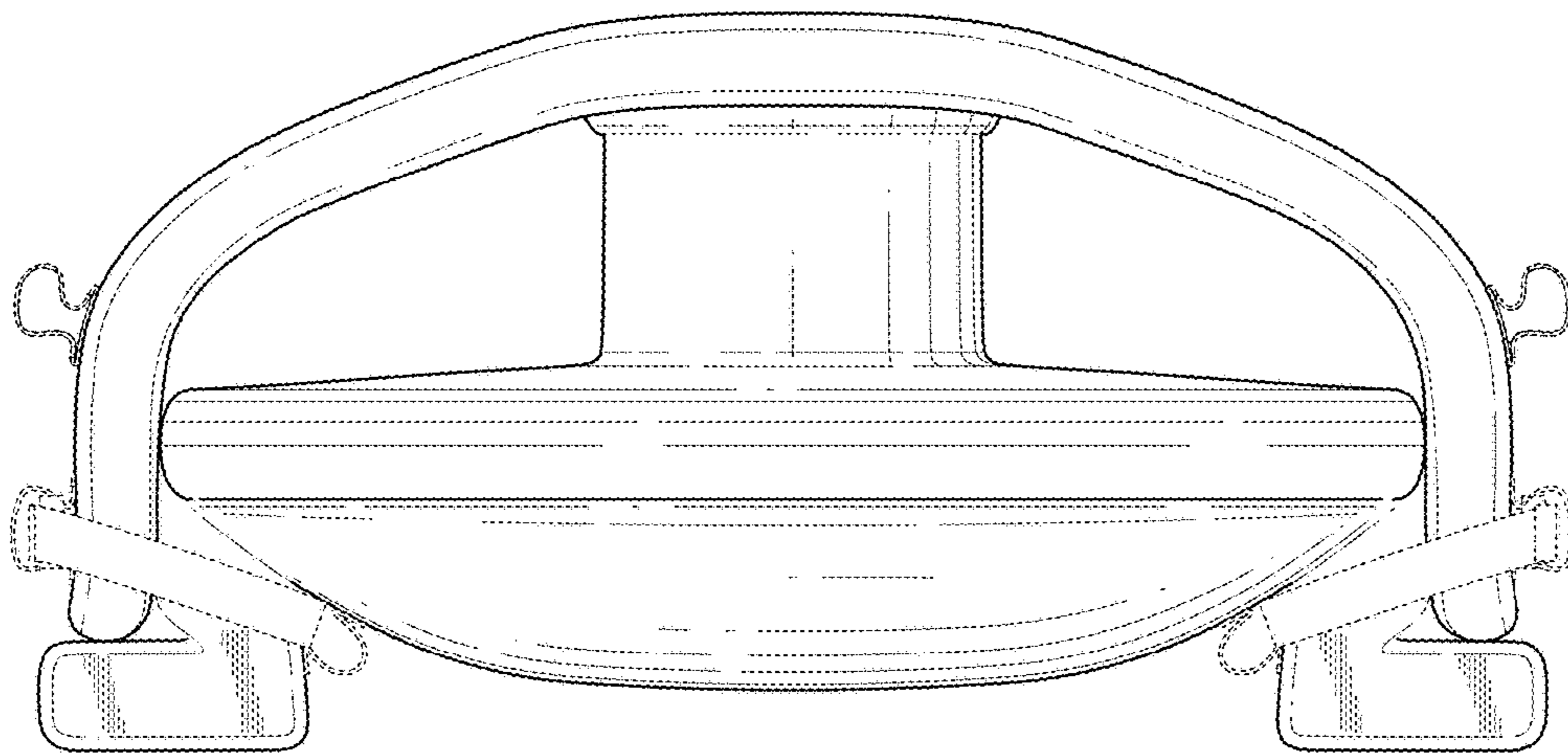


FIG. 4

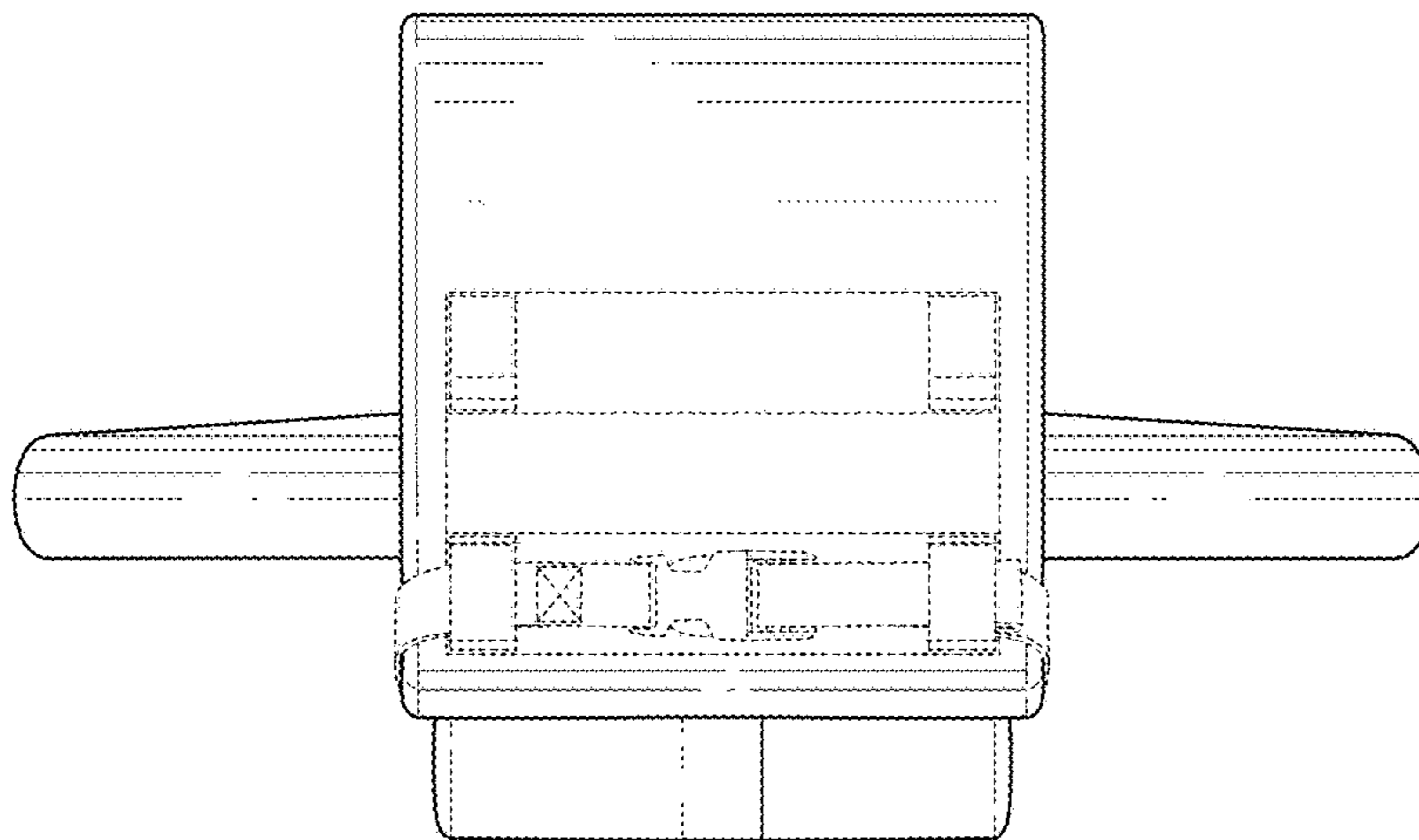


FIG. 5

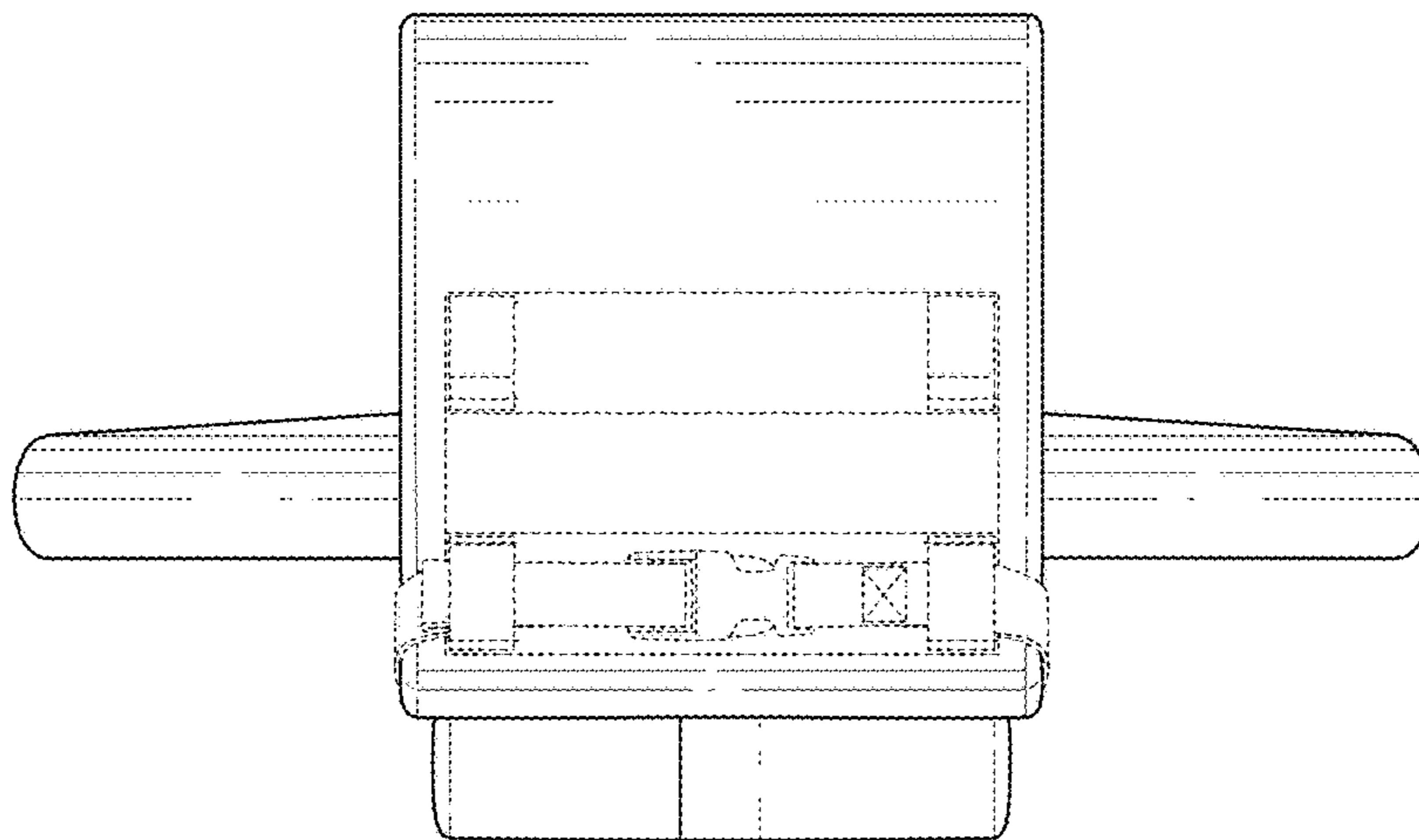


FIG. 6

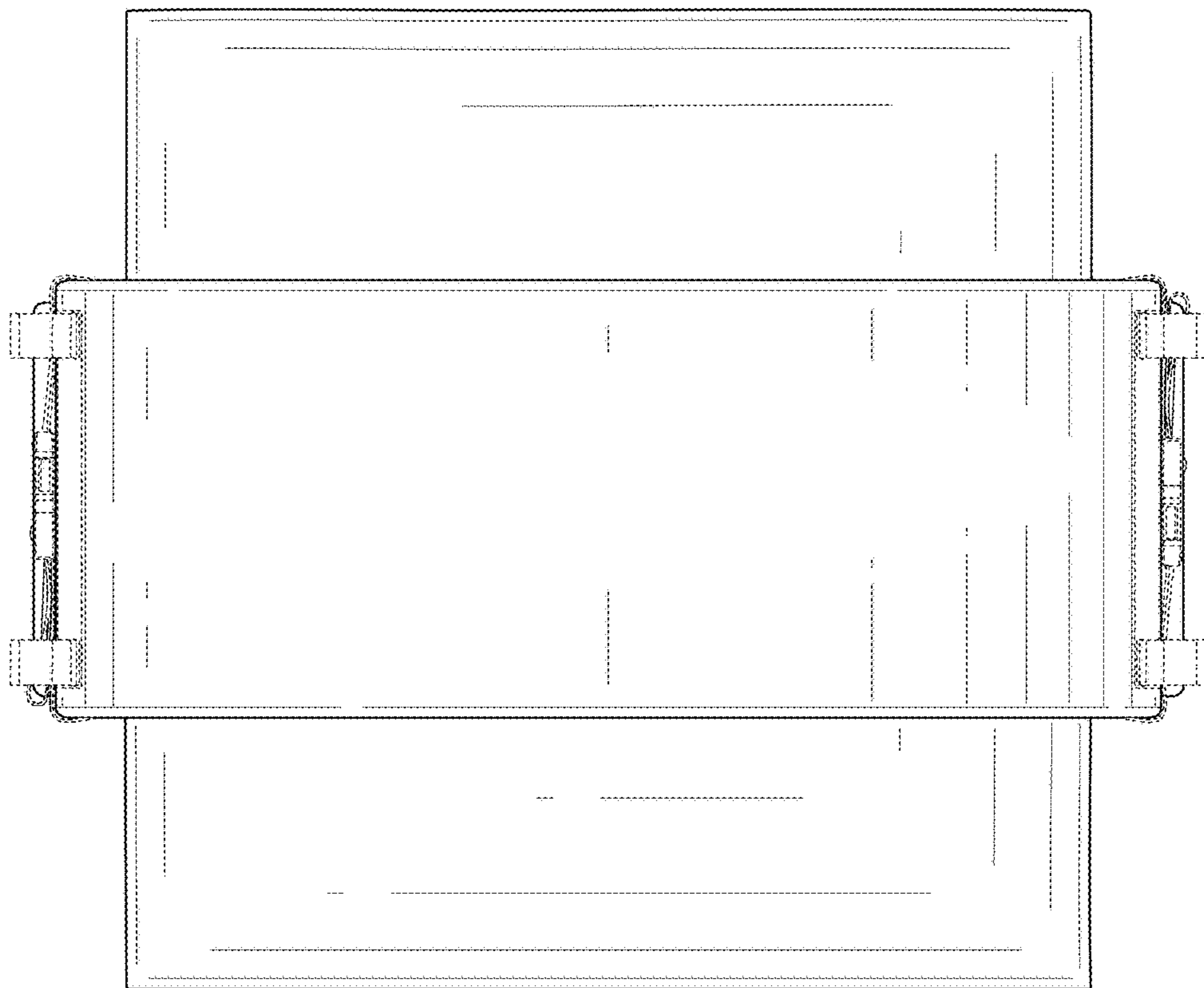


FIG. 7



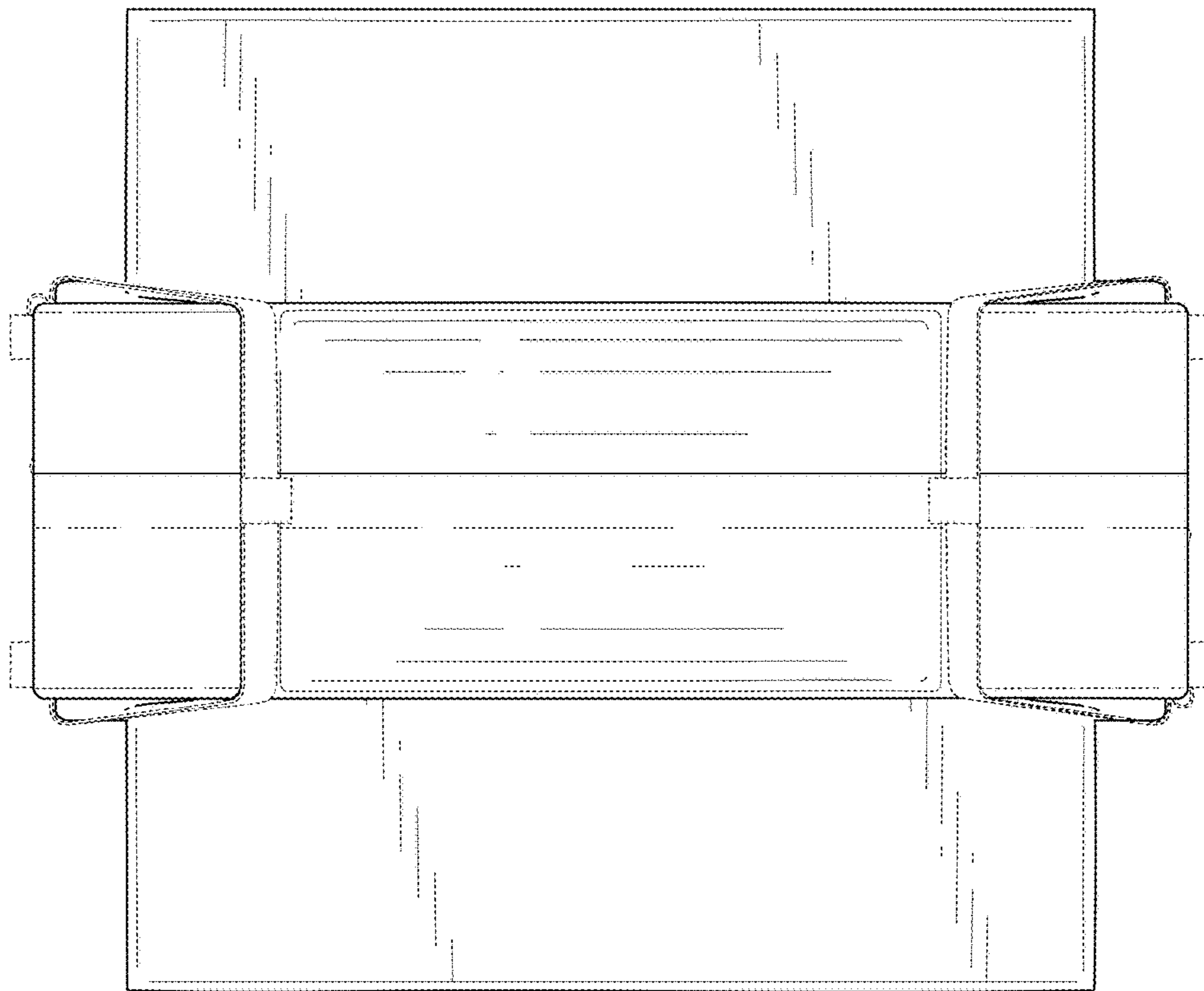


FIG. 8