



US00D854691S

(12) **United States Design Patent**
Kondo et al.

(10) **Patent No.:** **US D854,691 S**
(45) **Date of Patent:** **** Jul. 23, 2019**

(54) **MEDICAL OXYGEN CONCENTRATOR**

(71) Applicant: **NGK SPARK PLUG CO., LTD.**,
Nagoya-shi, Aichi (JP)

(72) Inventors: **Yoshinori Kondo**, Komaki (JP);
Masahiro Kamada, Komaki (JP);
Takehiko Saiki, Toki (JP); **Yasunori Hida**,
Toyoake (JP)

(73) Assignee: **NGK SPARK PLUG CO., LTD.**,
Nagoya-shi, Aichi (JP)

(**) Term: **15 Years**

(21) Appl. No.: **29/648,484**

(22) Filed: **May 22, 2018**

(51) **LOC (11) Cl.** **24-02**

(52) **U.S. Cl.**
USPC **D24/164**

(58) **Field of Classification Search**
USPC D24/164, 165, 170, 186, 185, 231, 234,
D24/110.5, 110.6, 110

CPC ... A61B 5/145; A61M 16/10; A61M 16/0672;
A61M 16/0677; A61M 16/0683

See application file for complete search history.

(56) **References Cited**

U.S. PATENT DOCUMENTS

D412,577 S *	8/1999	Mickelson	D24/164
D471,278 S *	3/2003	Cheng	D24/164
D471,982 S *	3/2003	Cheng	D24/164
7,156,903 B2 *	1/2007	McCombs	B01D 53/0407 128/205.12
D550,360 S *	9/2007	McCombs	D24/164
D635,681 S *	4/2011	Edwards	D24/186
D693,005 S *	11/2013	Nawata	D24/164
D740,929 S *	10/2015	Pipe	D24/108
D808,017 S *	1/2018	Ito	D24/164
2005/0161044 A1 *	7/2005	Yoshida	A61M 16/10 128/205.27

2007/0137487 A1 *	6/2007	Whitley	B01D 53/0415 96/121
2012/0304867 A1 *	12/2012	Watanabe	A61M 16/10 96/380
2013/0233168 A1 *	9/2013	Richey, II	B01D 53/0454 95/1

FOREIGN PATENT DOCUMENTS

JP	D1103567	*	3/2001	
JP	D1200587	*	3/2004	
JP	2012050828 A	*	3/2012 A61M 16/10
WO	WO-2011087111 A1	*	7/2011 A61M 16/10

OTHER PUBLICATIONS

US Oxygen Sales. Link: <https://www.usoxygensales.com/product/respironics-simplygo-portable-oxygen-concentrator/>. Visited Feb. 6, 2019. Respironics SimplyGo Portable Oxygen Concentrator. (Year: 2019).*

* cited by examiner

Primary Examiner — Susan Bennett Hattan

Assistant Examiner — Lauren D McVey

(74) *Attorney, Agent, or Firm* — Sughrue Mion, PLLC

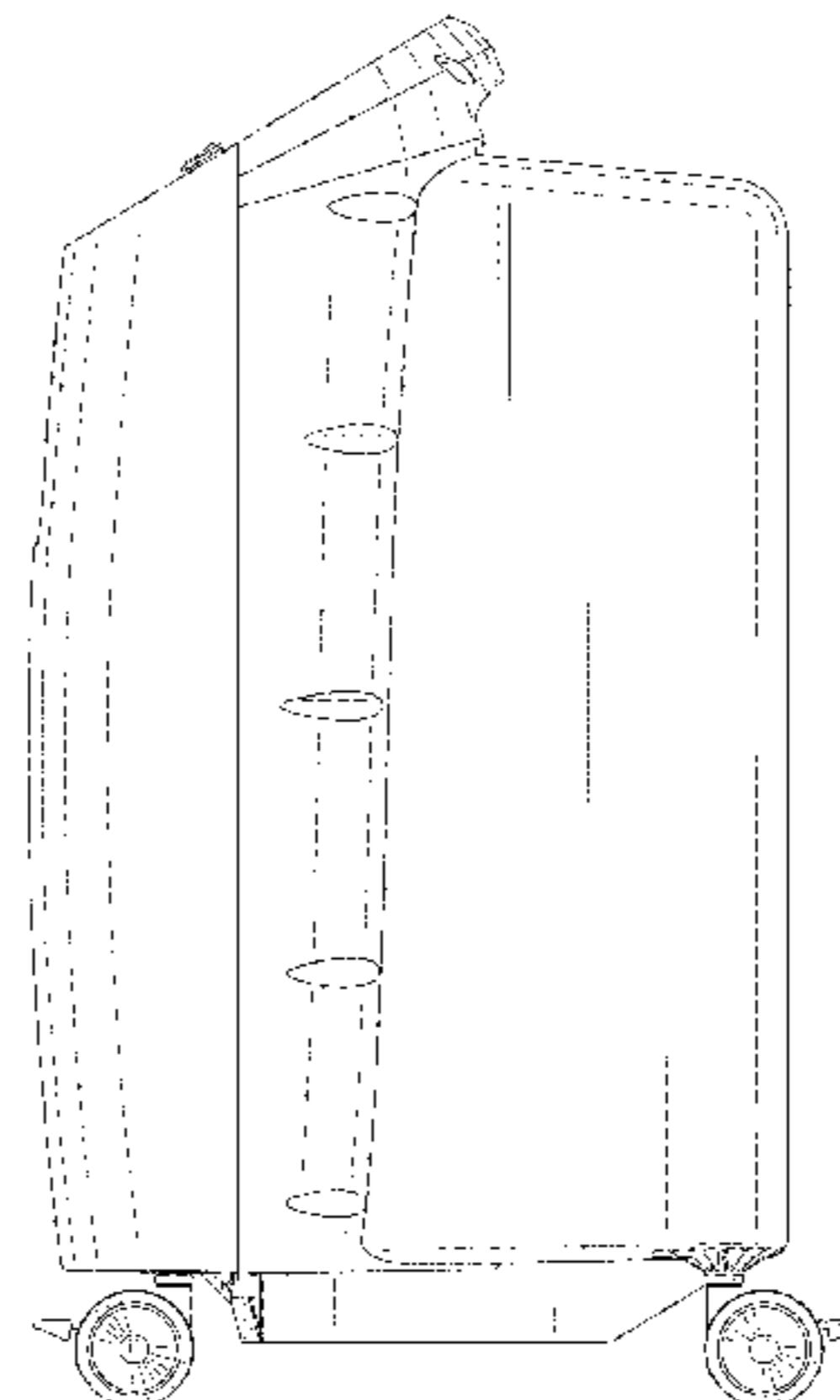
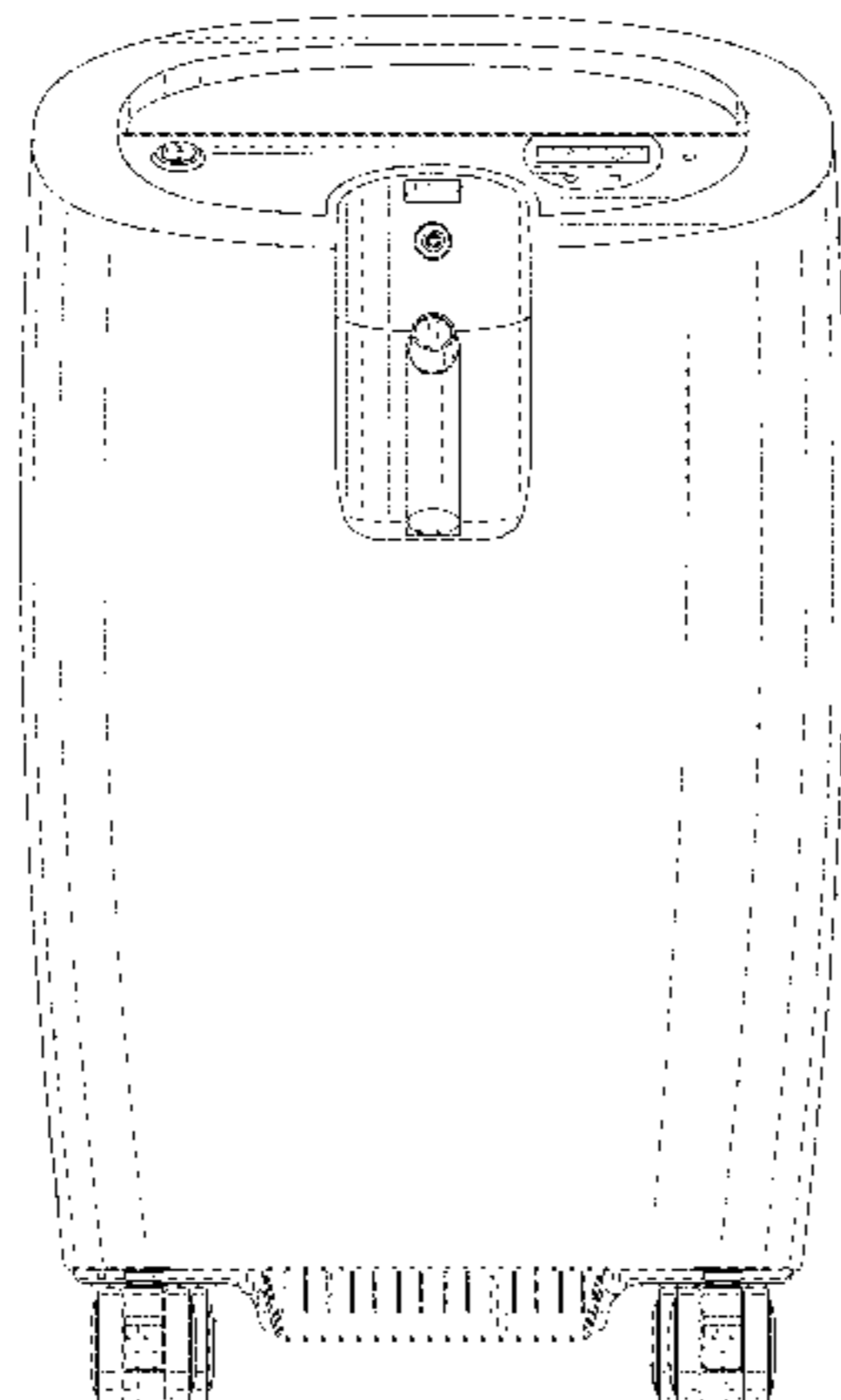
(57) **CLAIM**

The ornamental design for a medical oxygen concentrator, as shown and described.

DESCRIPTION

FIG. 1 is a front perspective view of a medical oxygen concentrator showing our new design; FIG. 2 is a rear perspective view thereof; FIG. 3 is a front elevation view thereof; FIG. 4 is a rear elevation view thereof; FIG. 5 is a left side elevation view thereof; FIG. 6 is a right side elevation view thereof; FIG. 7 is a top plan view thereof; and, FIG. 8 is a bottom plan view thereof. The broken lines depict portions of the article that form no part of the claimed design.

1 Claim, 8 Drawing Sheets



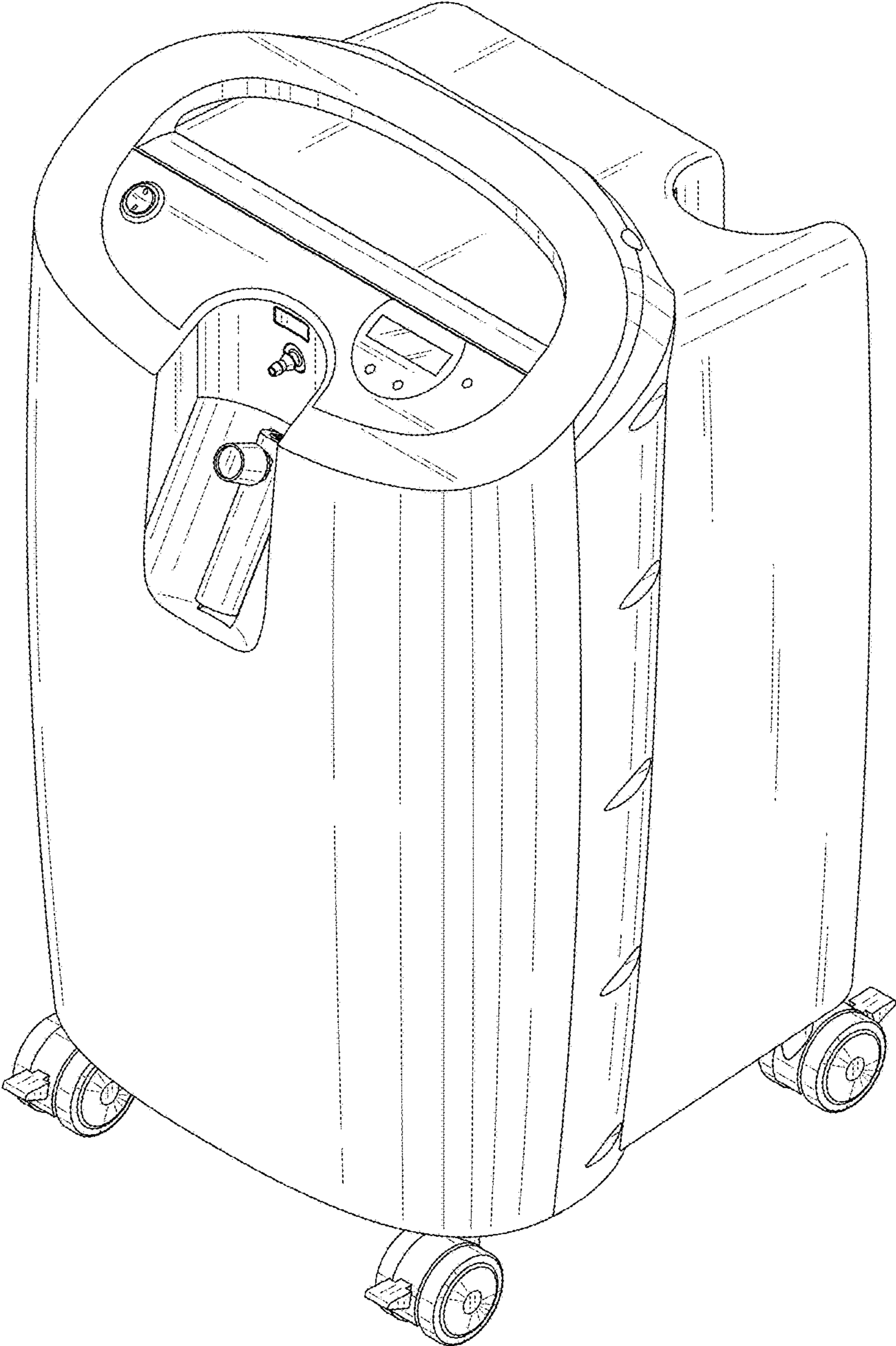


Fig. 1

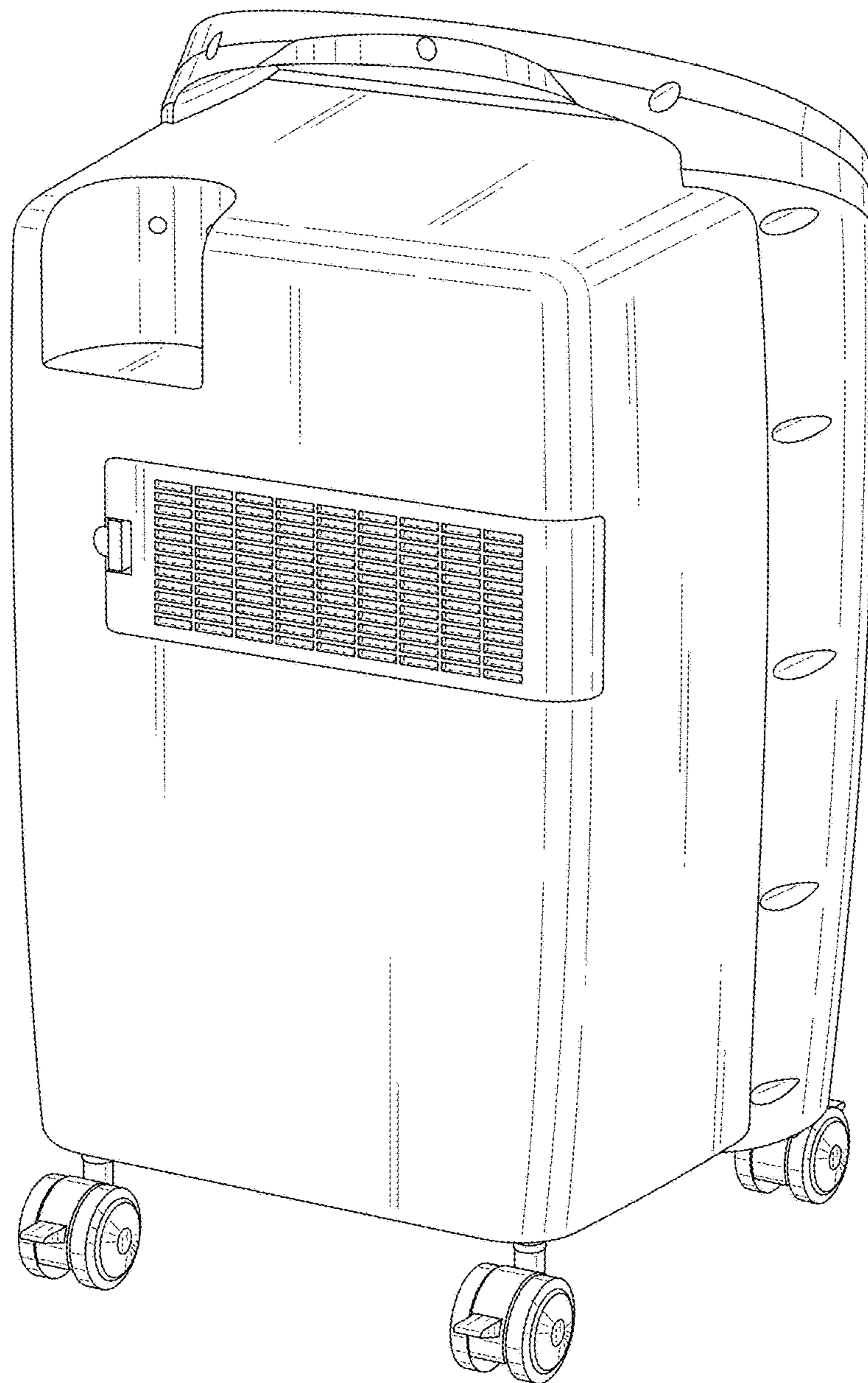


Fig. 2

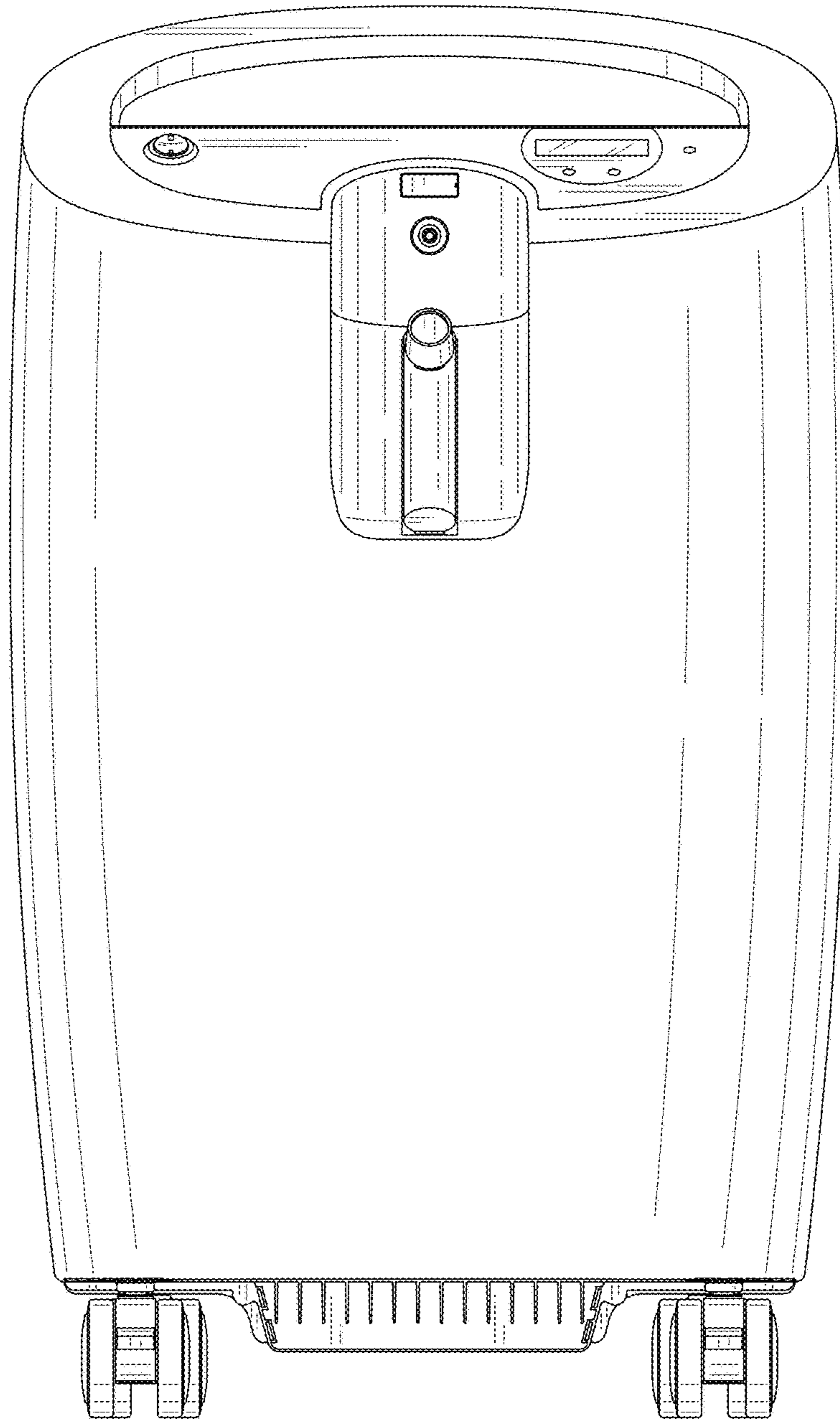


Fig. 3

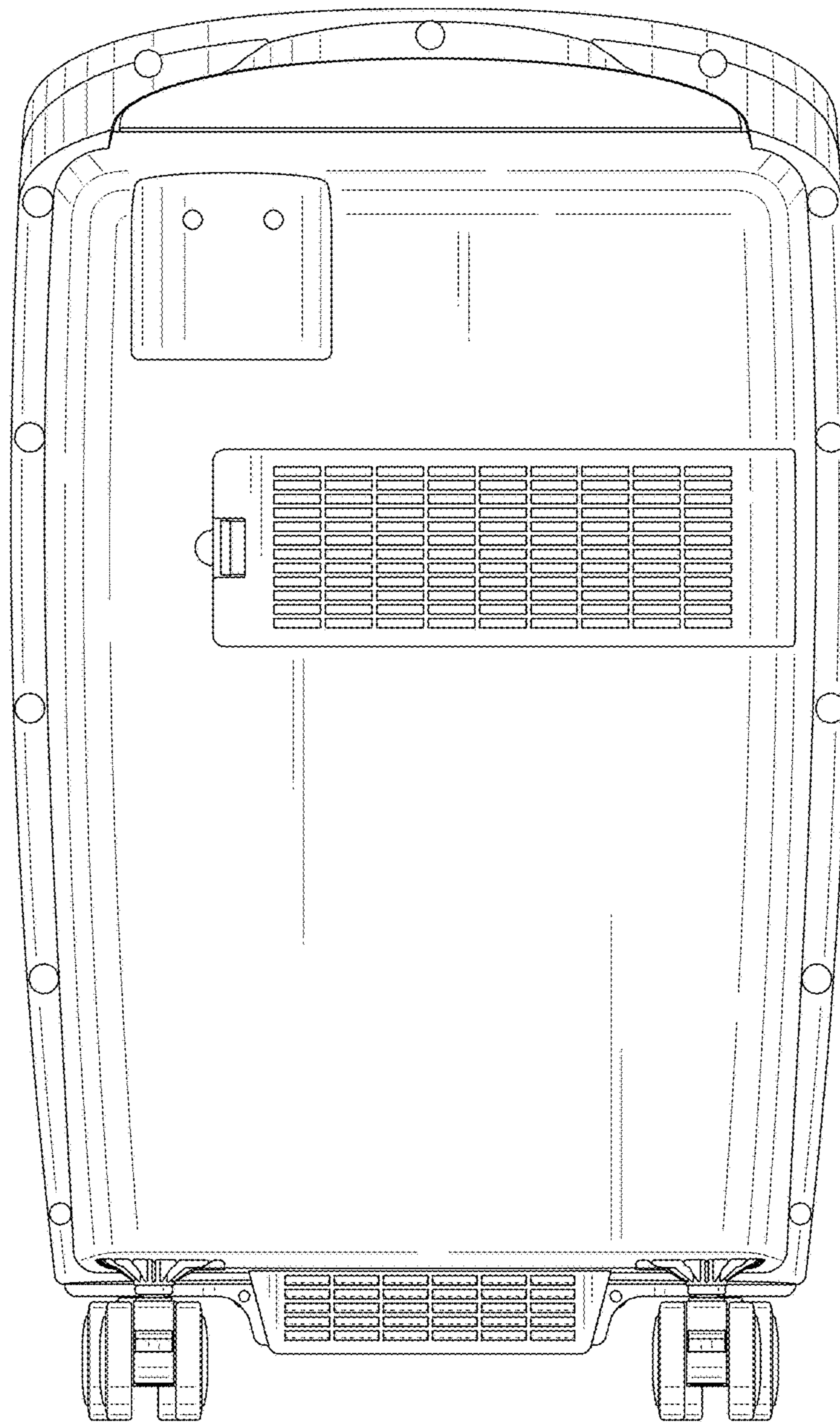


Fig. 4

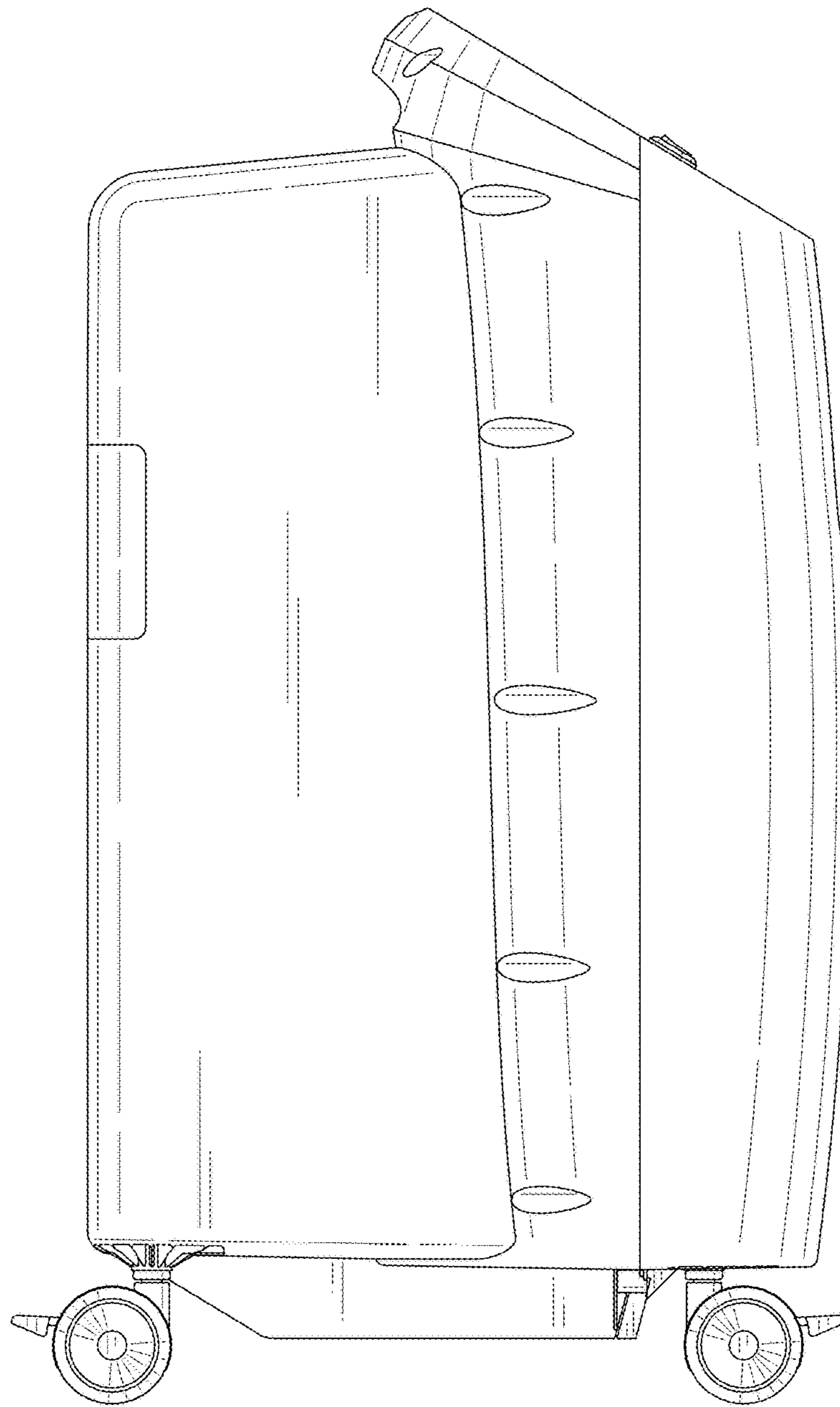


Fig. 5

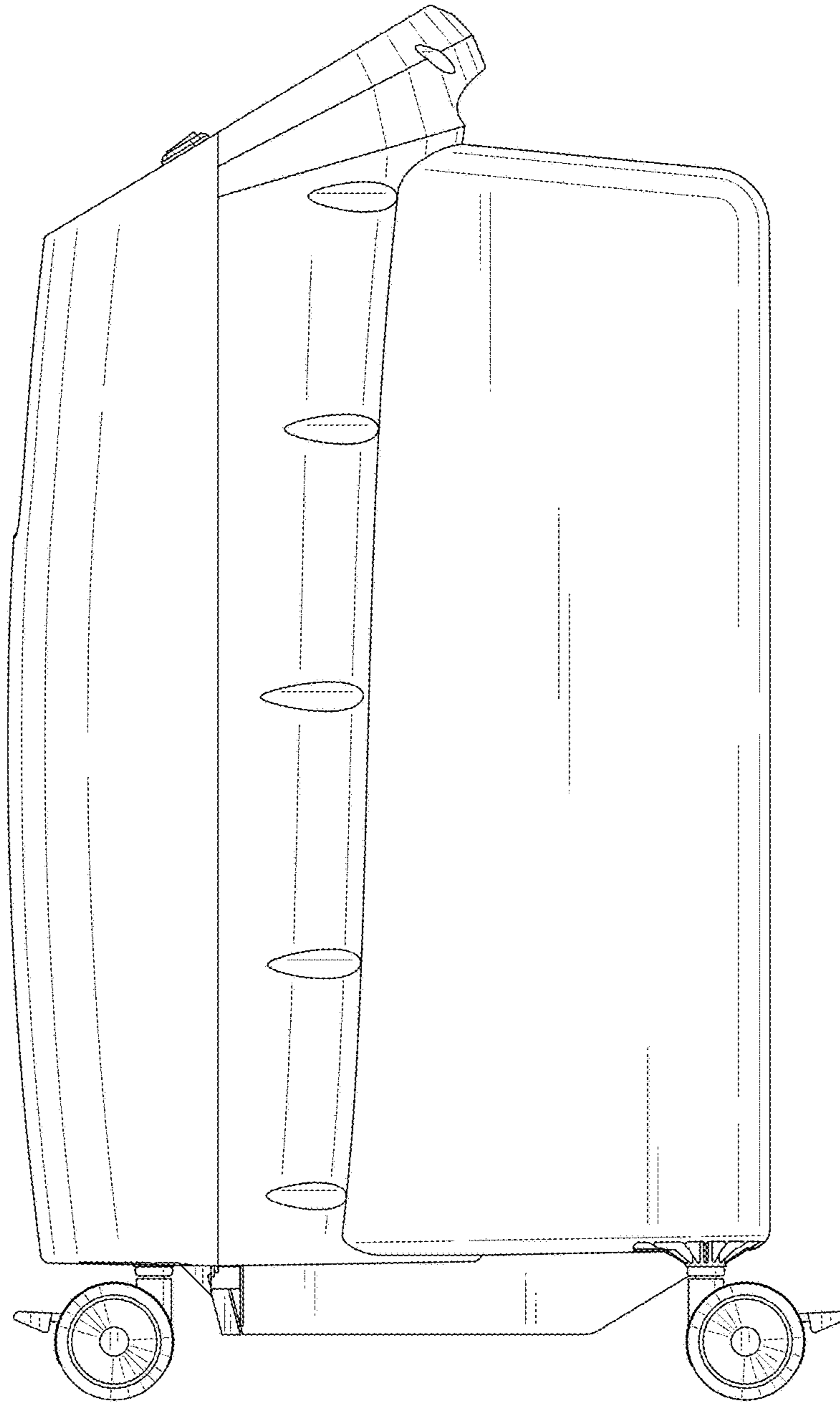


Fig. 6

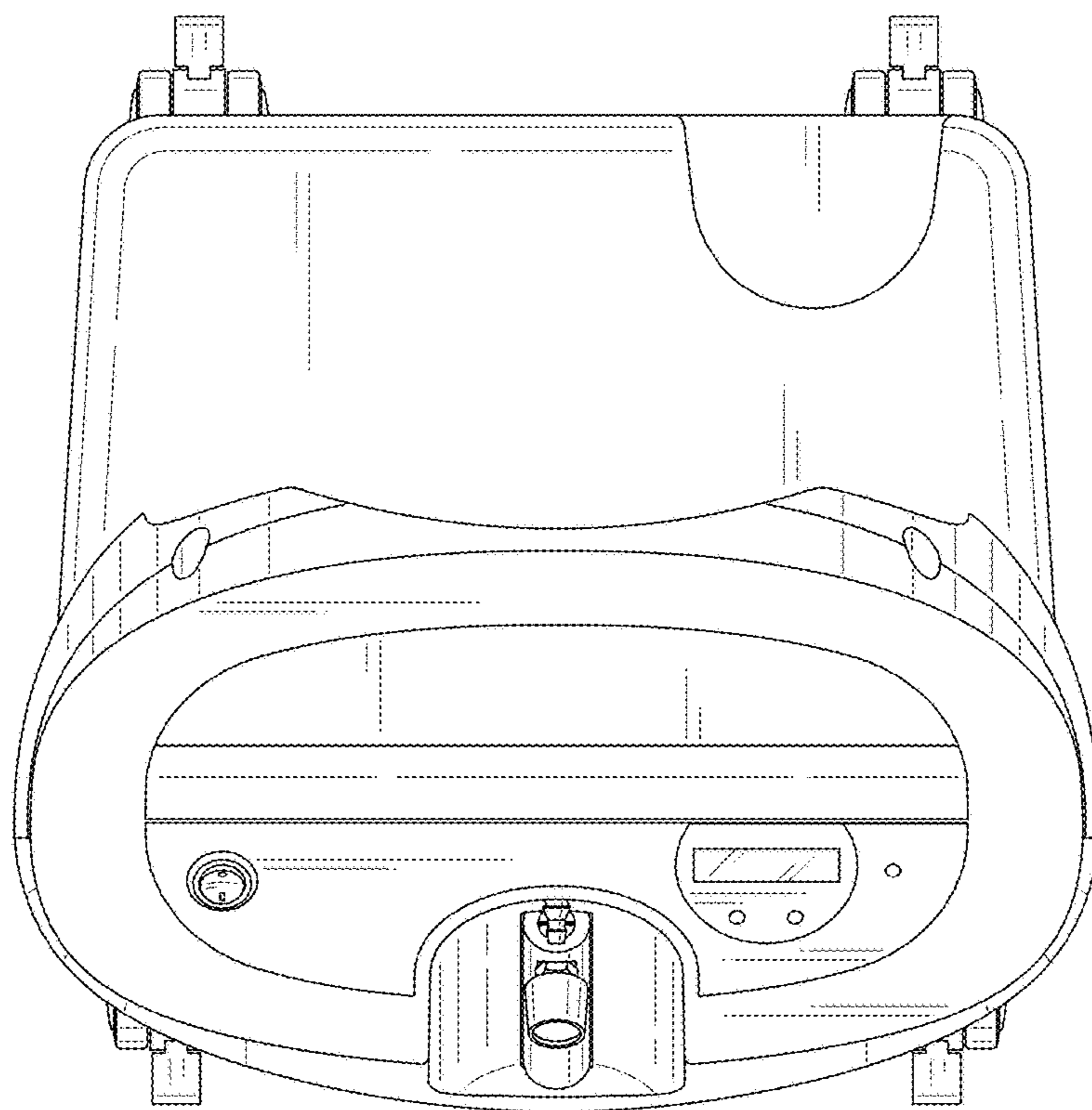


Fig. 7

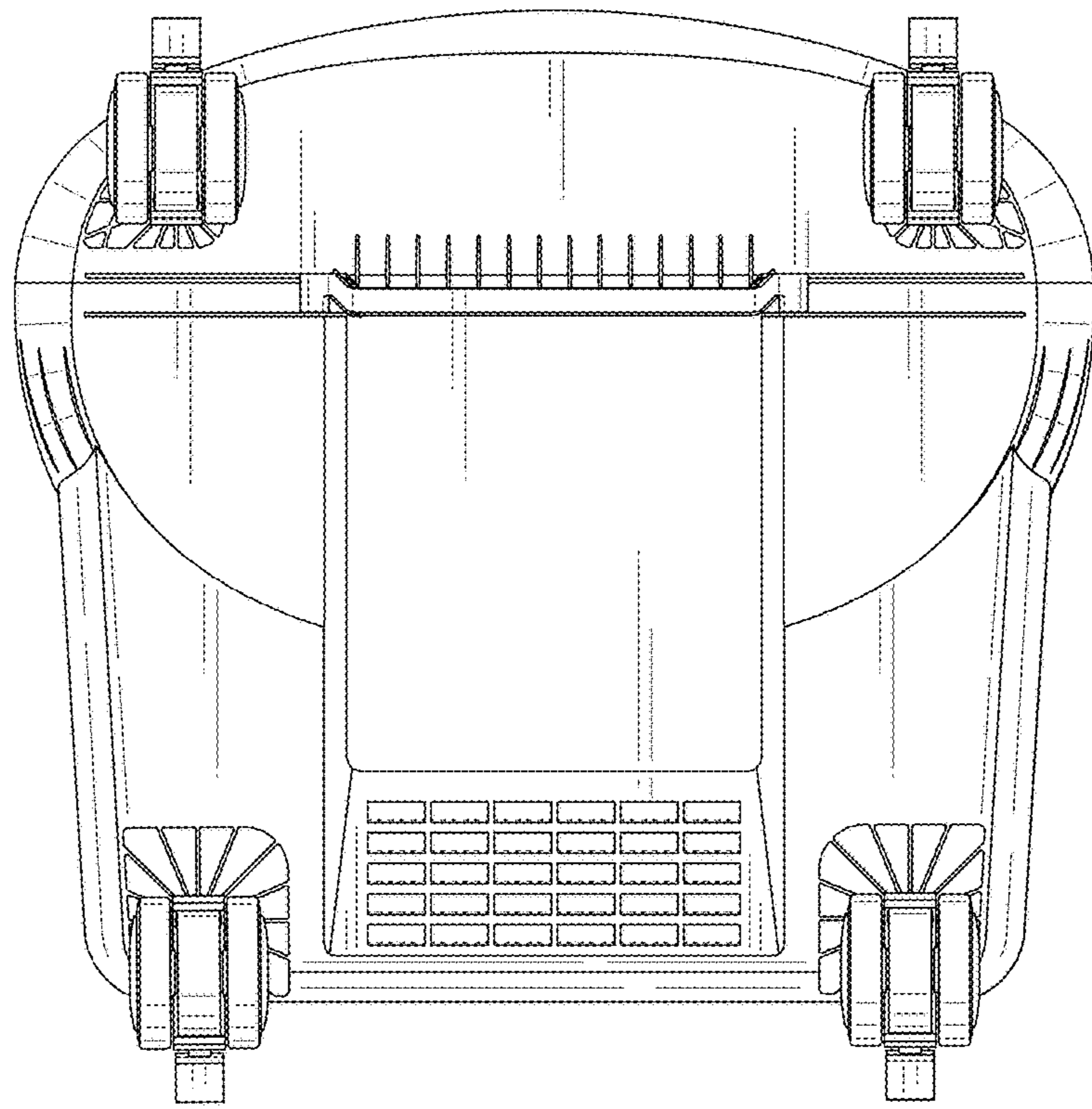


Fig. 8