



US00D854690S

(12) **United States Design Patent** (10) **Patent No.:** **US D854,690 S**
Sun (45) **Date of Patent:** **** Jul. 23, 2019**

(54) **MR COIL** 6,727,701 B1 * 4/2004 Jevtic G01R 33/341
 324/318
 (71) Applicant: **KONINKLIJKE PHILIPS N.V.**, Eindhoven (NL) D566,280 S * 4/2008 Baba D10/46
 D638,130 S * 5/2011 Erickson D24/155
 D644,329 S * 8/2011 North D24/187
 D731,657 S * 6/2015 Tong D24/158
 D786,441 S * 5/2017 Sul D24/158
 D787,679 S * 5/2017 Sul D24/158
 (72) Inventor: **Wei Lun Sun**, Shanghai (CN) 2011/0026801 A1 * 2/2011 Dohata G01R 33/34007
 382/131
 (73) Assignee: **KONINKLIJKE PHILIPS N.V.**, Eindhoven (NL)

(**) Term: **15 Years**
 (21) Appl. No.: **35/502,697**
 (22) Filed: **Sep. 27, 2016**

(80) **Hague Agreement Data**
 Int. Filing Date: **Sep. 27, 2016**
 Int. Reg. No.: **DM/092807**
 Int. Reg. Date: **Sep. 27, 2016**
 Int. Reg. Pub. Date: **Mar. 31, 2017**

(30) **Foreign Application Priority Data**
 Apr. 26, 2016 (EM) 003093152-0001
 Apr. 26, 2016 (EM) 003093152-0002
 (51) **LOC (11) Cl.** **24-01**
 (52) **U.S. Cl.**
 USPC **D24/158**
 (58) **Field of Classification Search**
 USPC D24/130, 158, 154, 187
 CPC A61B 5/055; G01R 33/3415
 See application file for complete search history.

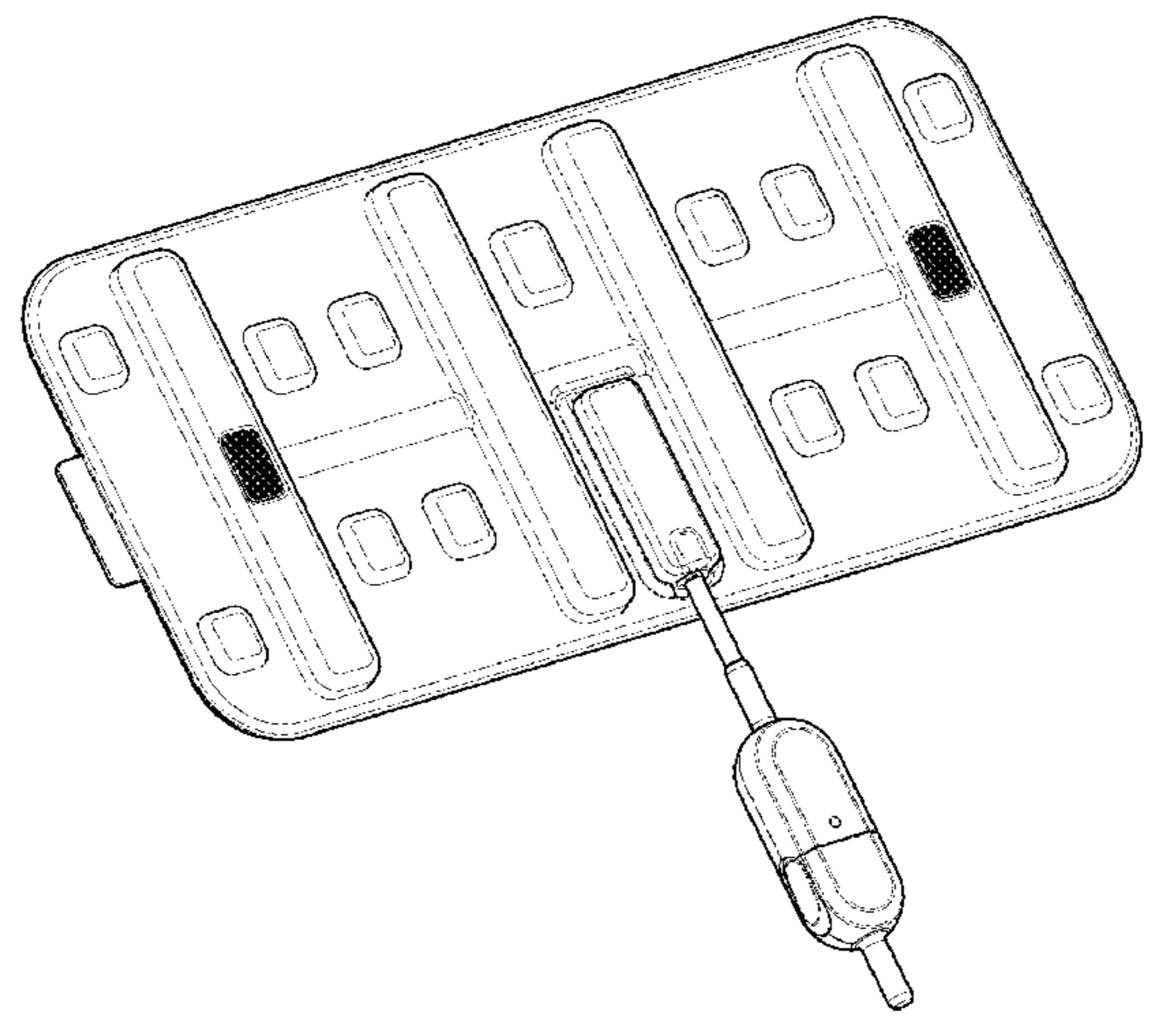
(56) **References Cited**
 U.S. PATENT DOCUMENTS
 D380,832 S * 7/1997 Isshiki D24/158
 6,650,926 B1 * 11/2003 Chan G01R 33/3415
 324/318

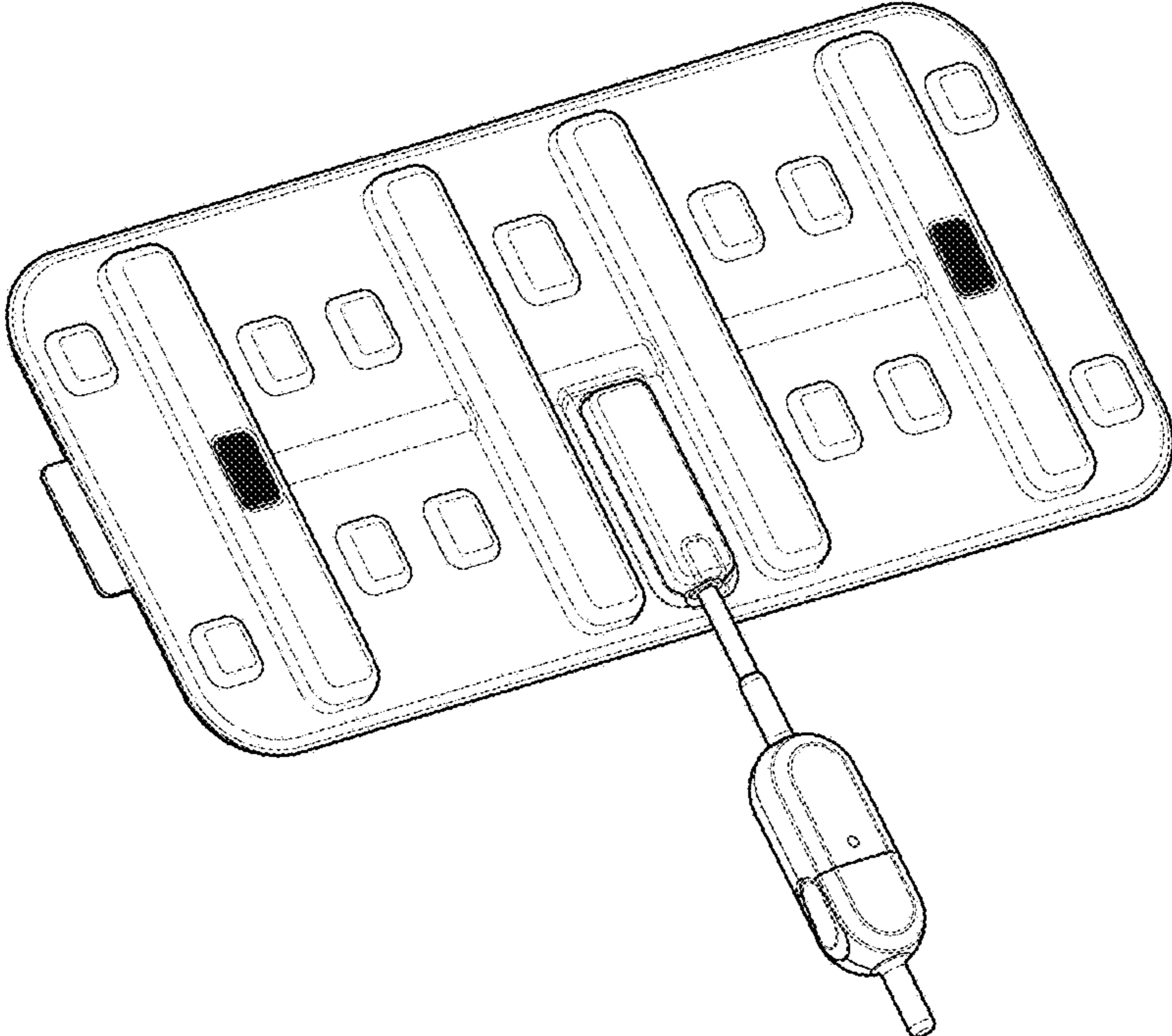
* cited by examiner
Primary Examiner — Manpreet S Matharu
Assistant Examiner — Eliza Z Bennett-Hattan

(57) **CLAIM**
 The ornamental design for a MR coil, as shown and described.

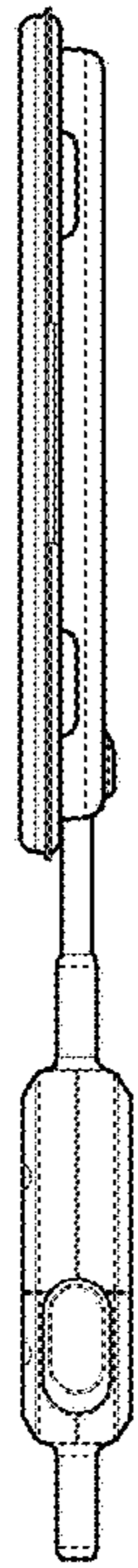
DESCRIPTION
 1. MR coil
 1.1 is a perspective view showing the MR coil of my design;
 1.2 is a right side elevational view thereof;
 1.3 is a left side elevational view thereof;
 1.4 is a bottom plan view thereof;
 1.5 is a top plan view thereof;
 1.6 is a front elevational view thereof; and,
 1.7 is a back elevational view thereof.
 The portions of the MR coil shown in broken lines are included for the purpose of illustrating unclaimed portions of the MR coil and form no part of the claimed design.

1 Claim, 5 Drawing Sheets





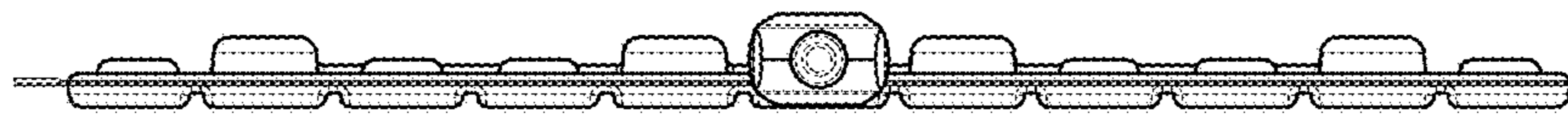
1.1



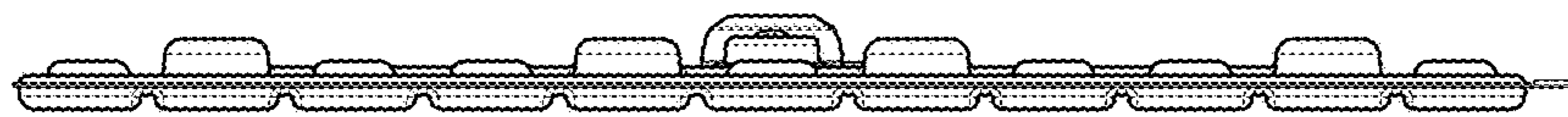
1.2



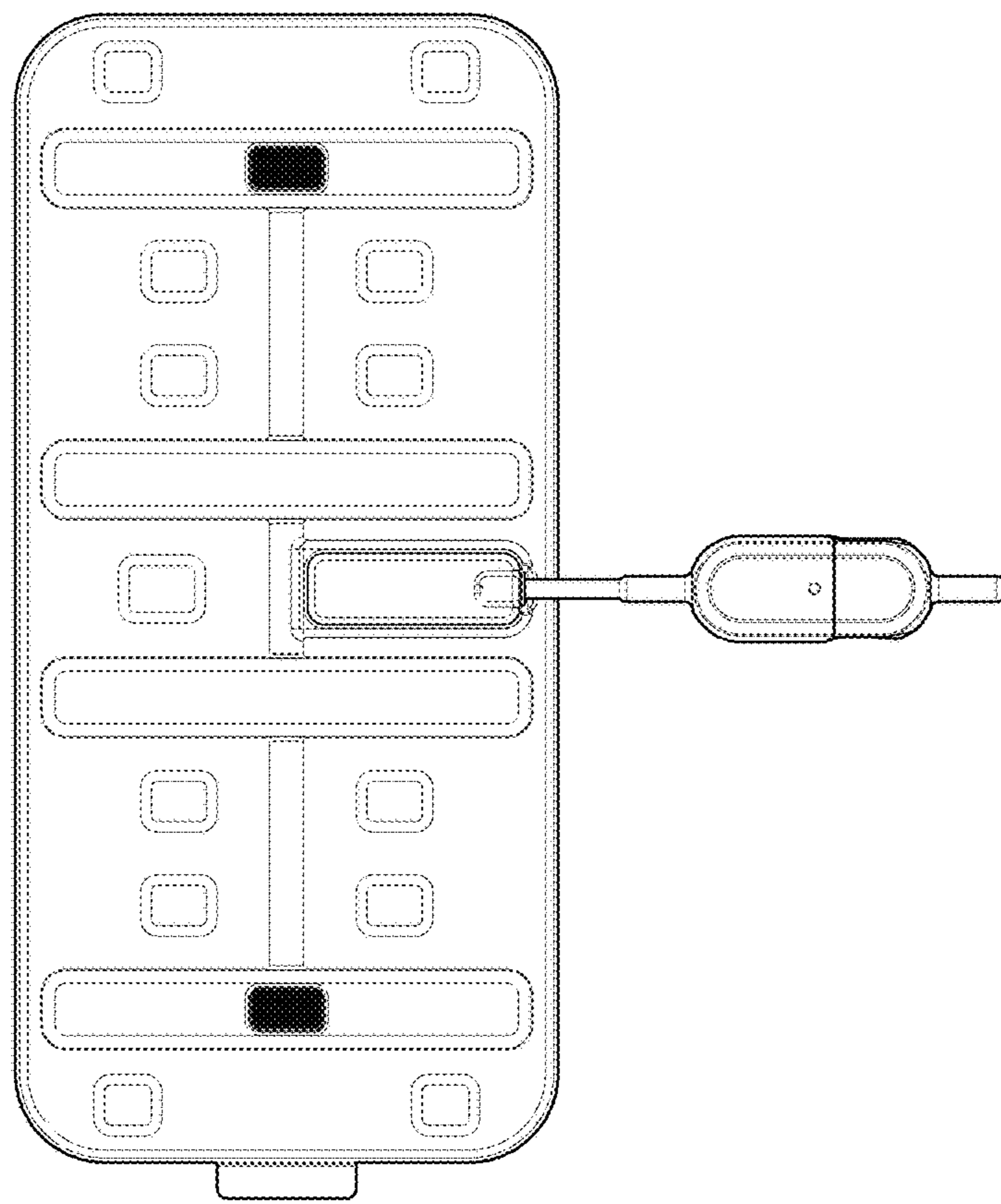
1.3



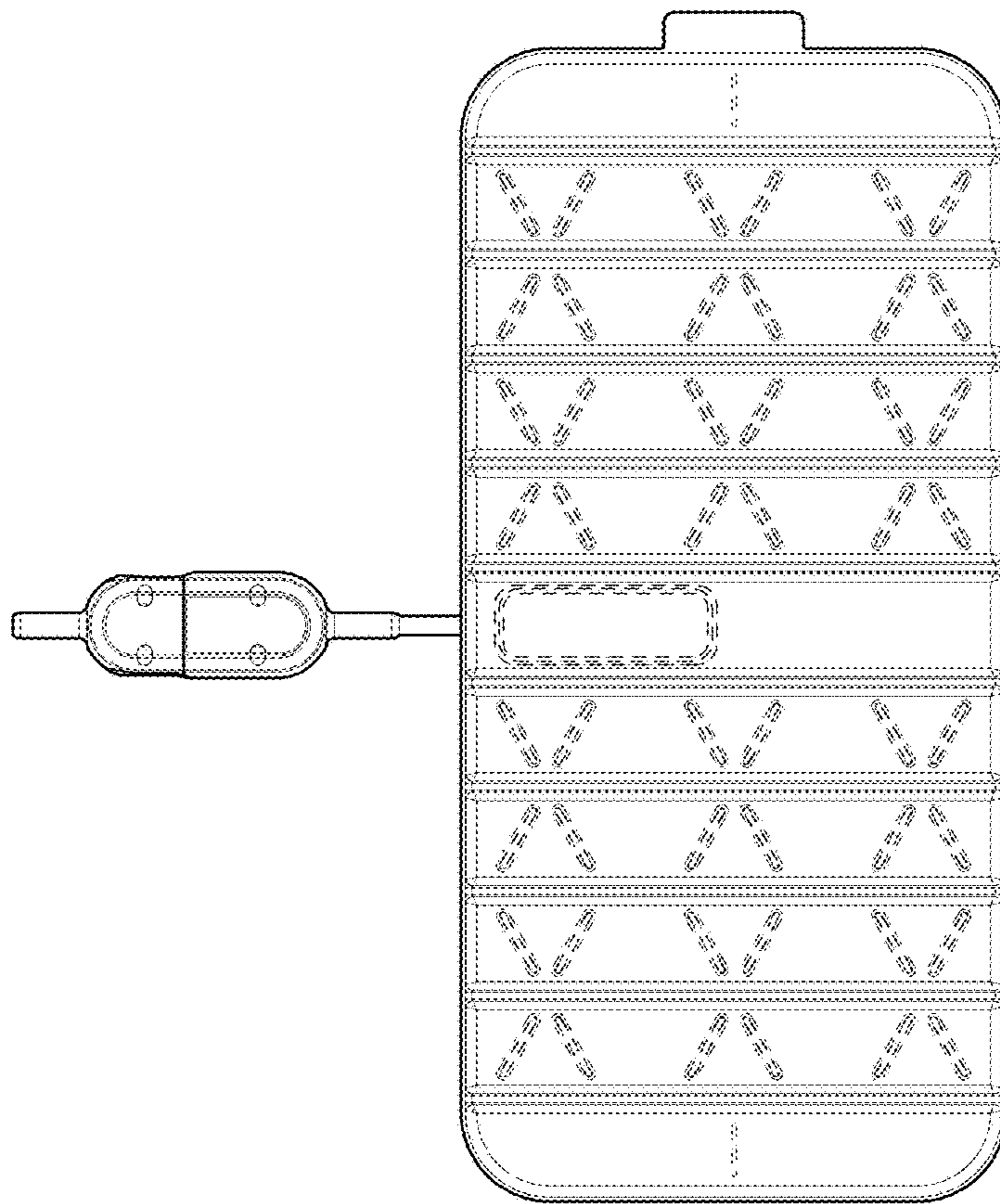
1.4



1.5



1.6



1.7