



US00D854688S

(12) **United States Design Patent** (10) **Patent No.:** **US D854,688 S**
Alladu et al. (45) **Date of Patent:** **** *Jul. 23, 2019**

(54) **INTERFERENCE SCREW**
(71) Applicant: **Healthium Medtech Private Limited,**
Bangalore (IN)
(72) Inventors: **Hemanth Kumar Alladu,** Bangalore
(IN); **Vasuki BK,** Bangalore (IN);
Anoop Penupolu, Bangalore (IN);
Deepu B K Iyengar, Bangalore (IN)

(73) Assignee: **Healthium MedTech Pvt. Ltd.,**
Bangalore (IN)
(*) Notice: This patent is subject to a terminal dis-
claimer.
(**) Term: **15 Years**

(21) Appl. No.: **29/618,083**
(22) Filed: **Sep. 19, 2017**

(30) **Foreign Application Priority Data**
Sep. 19, 2017 (IN) 297665
(51) **LOC (11) Cl.** **24-03**
(52) **U.S. Cl.**
USPC **D24/155**
(58) **Field of Classification Search**
USPC D24/155-157
CPC ... A61C 13/225; A61C 8/0089; A61C 8/0069;
A61C 8/0054; A61C 8/00; A61C 8/0096;
A61C 8/0039; A61C 8/0063; A61C
8/006; A61C 8/0001; A61C 8/0012; A61C
8/0075; A61C 8/0083
See application file for complete search history.

(56) **References Cited**
U.S. PATENT DOCUMENTS
D414,556 S * 9/1999 Broberg D24/156
D507,650 S * 7/2005 Teich D24/156
D528,210 S * 9/2006 Boettcher D24/156

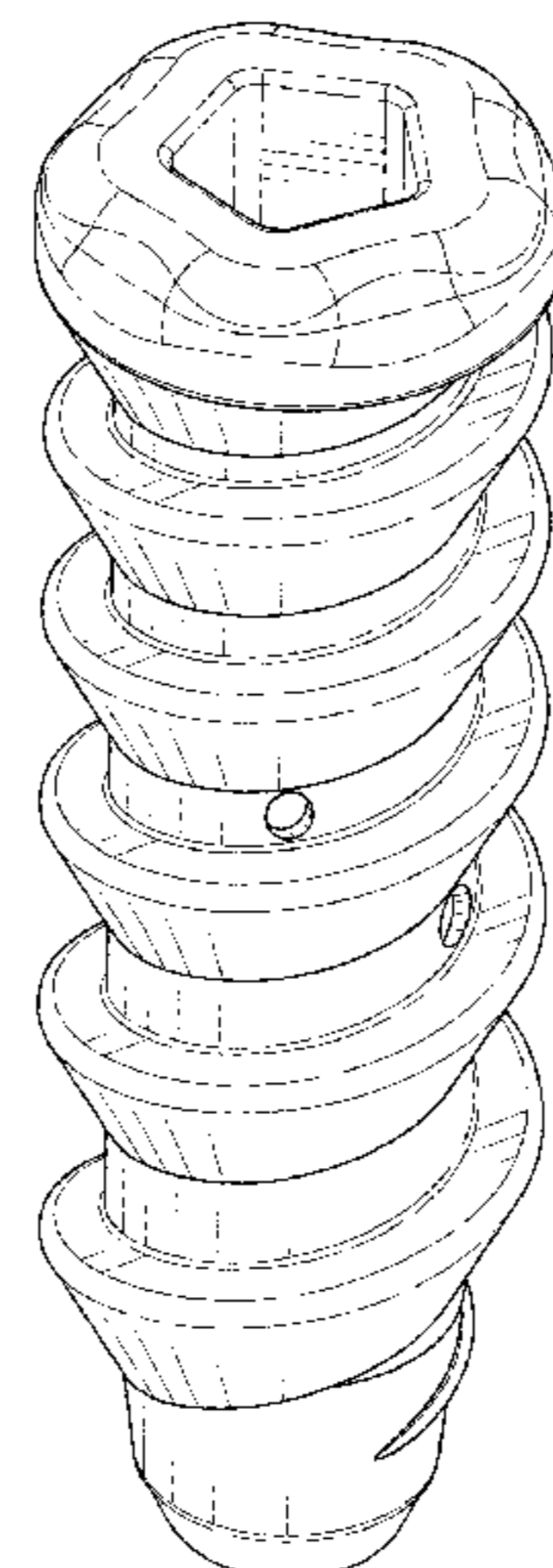
D604,413 S * 11/2009 Ikeya D24/156
D606,196 S * 12/2009 Fares D24/156
D663,032 S * 7/2012 Mashio D24/156
D663,419 S * 7/2012 Mashio D24/156
D733,885 S * 7/2015 Andersin D24/156
D752,756 S * 3/2016 Aravena D24/156
D783,823 S * 4/2017 Emanuelli D24/156
D783,825 S * 4/2017 Emanuelli D24/156
D785,179 S * 4/2017 Emanuelli D24/156
D808,016 S * 1/2018 Kim D24/156

* cited by examiner
Primary Examiner — Charles D Hanson
(74) *Attorney, Agent, or Firm* — Grandhi Law Chambers;
Krishna Grandhi

(57) **CLAIM**
The ornamental design for an interference screw, as shown
and described.

DESCRIPTION
FIG. 1 is a perspective view of an interference screw of the
new design;
FIG. 2 is a front elevational view of the interference screw
of FIG. 1;
FIG. 3 is a rear elevational view of the interference screw of
FIG. 1;
FIG. 4 is a left-side elevational view of the interference
screw of FIG. 1;
FIG. 5 is a right-side elevational view of the interference
screw of FIG. 1;
FIG. 6 is a top plan view of the interference screw of FIG.
1;
FIG. 7 is a bottom plan view of the interference screw of
FIG. 1; and,
FIG. 8 is a cross-sectional view of the interference screw of
FIG. 1.
The broken lines shown in the drawings are included for
purposes of illustrating portions of the design or environ-
ment and form no part of the claimed design.

1 Claim, 5 Drawing Sheets



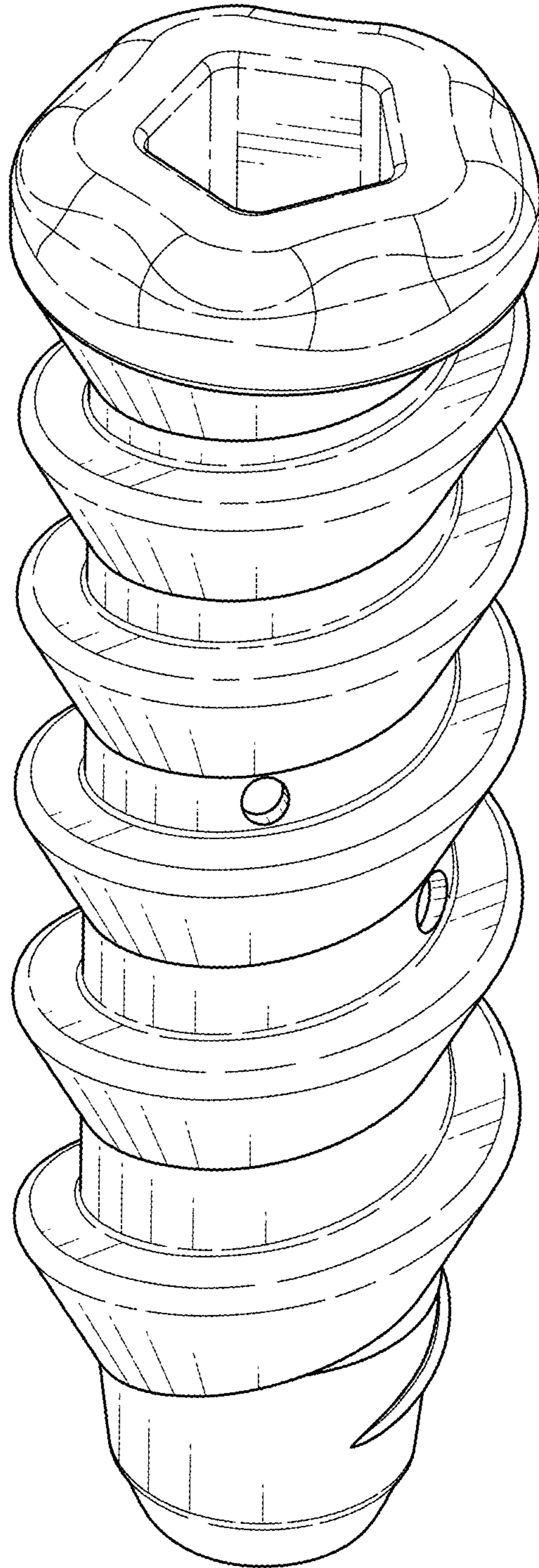


FIG. 1

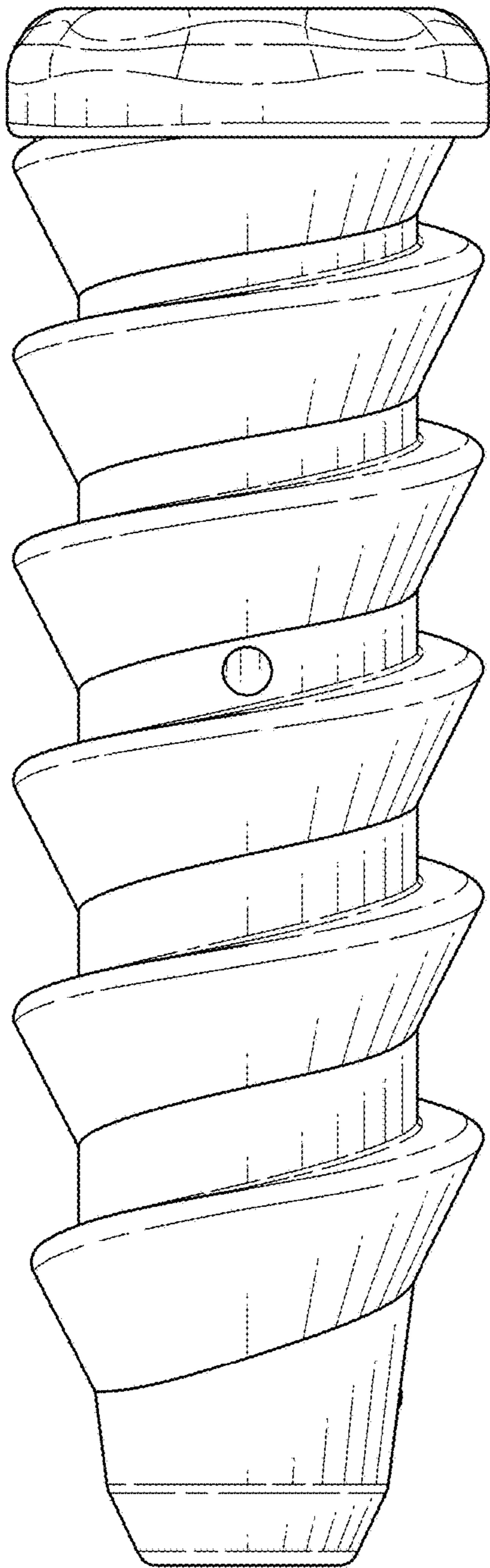


FIG. 2

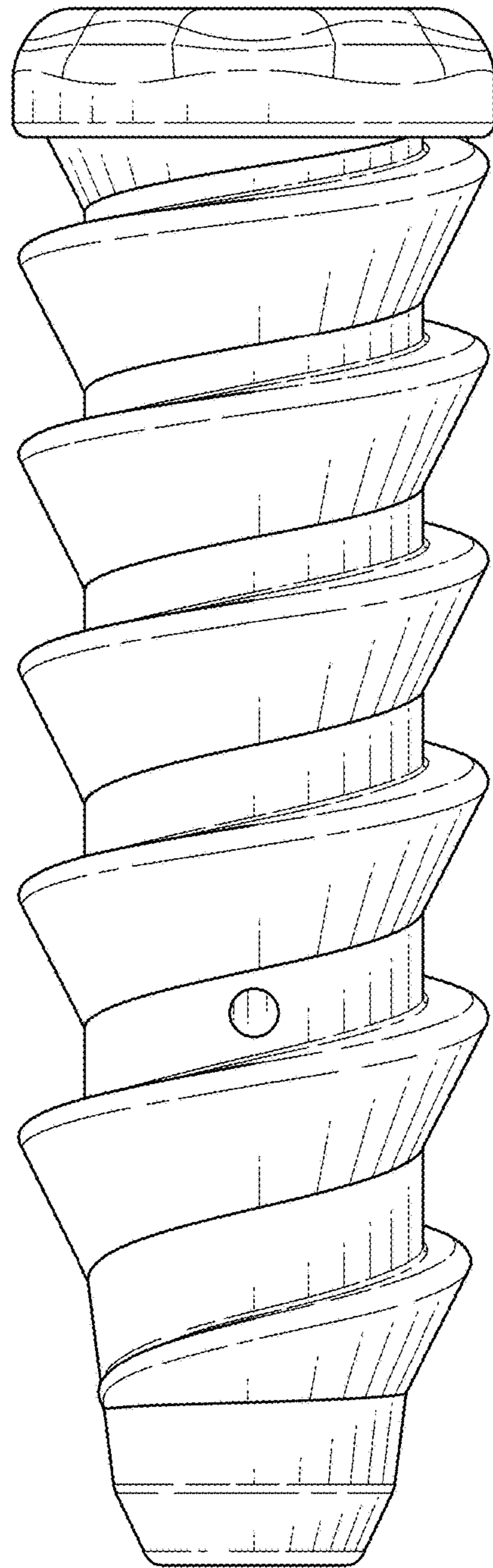


FIG. 3

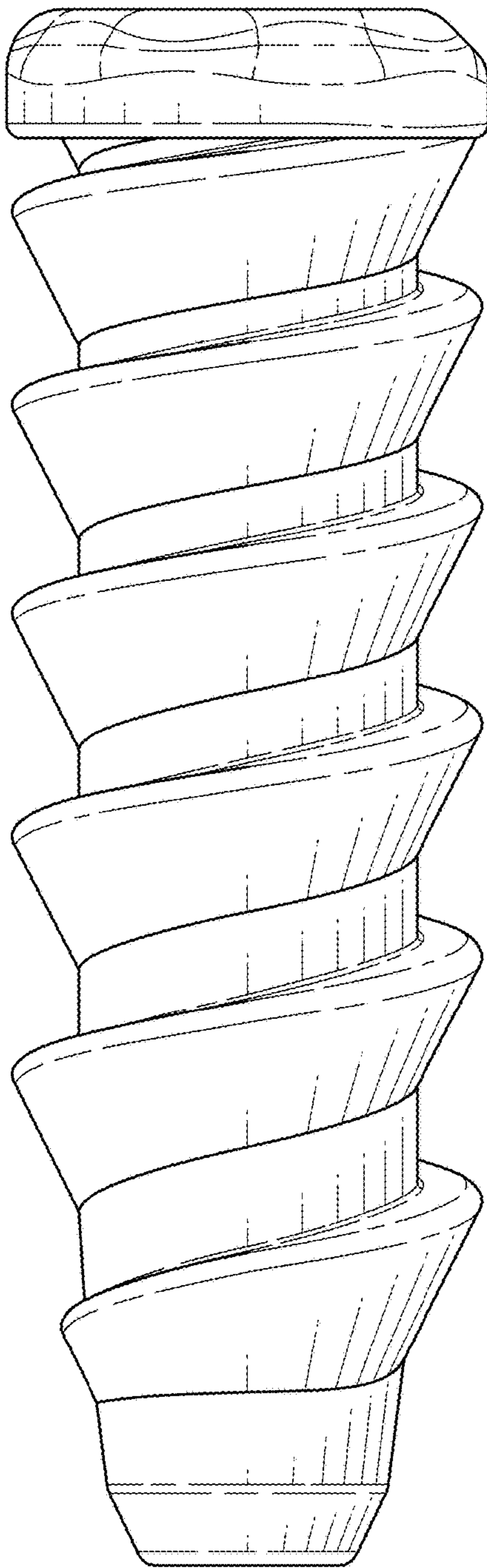


FIG. 4

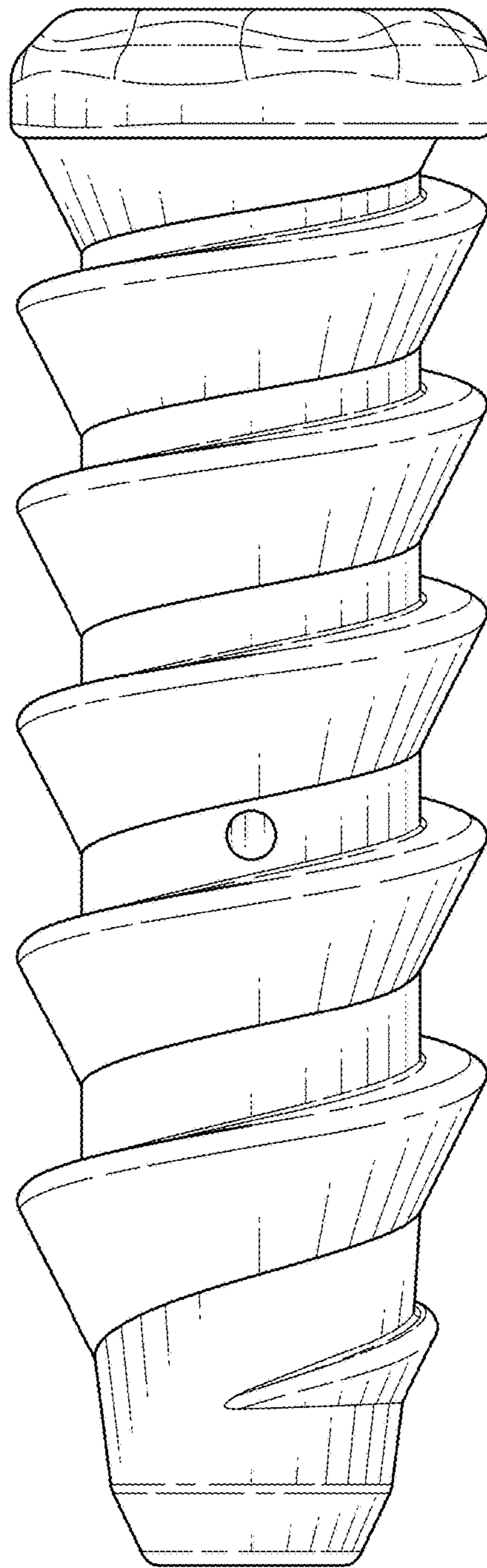


FIG. 5

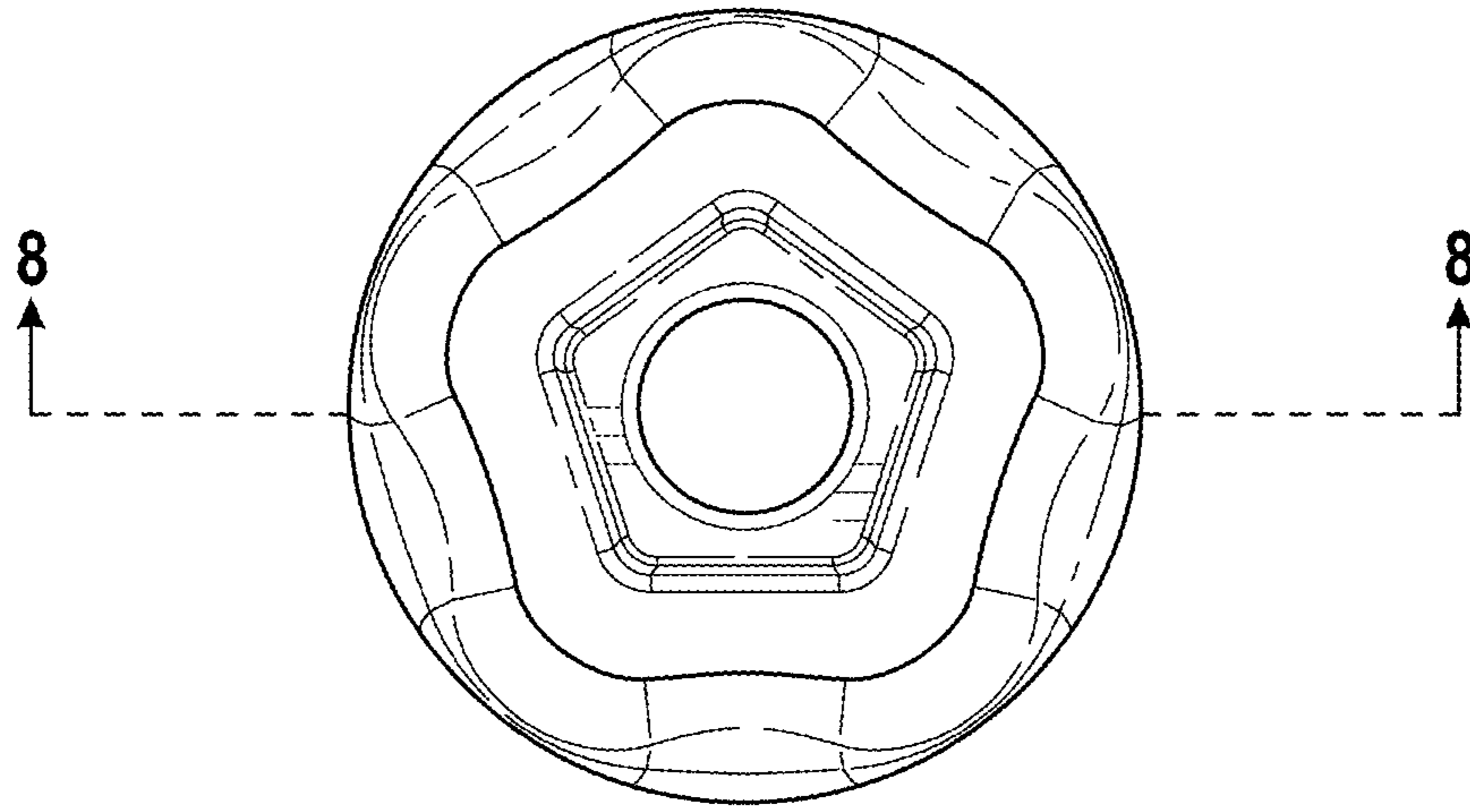


FIG. 6

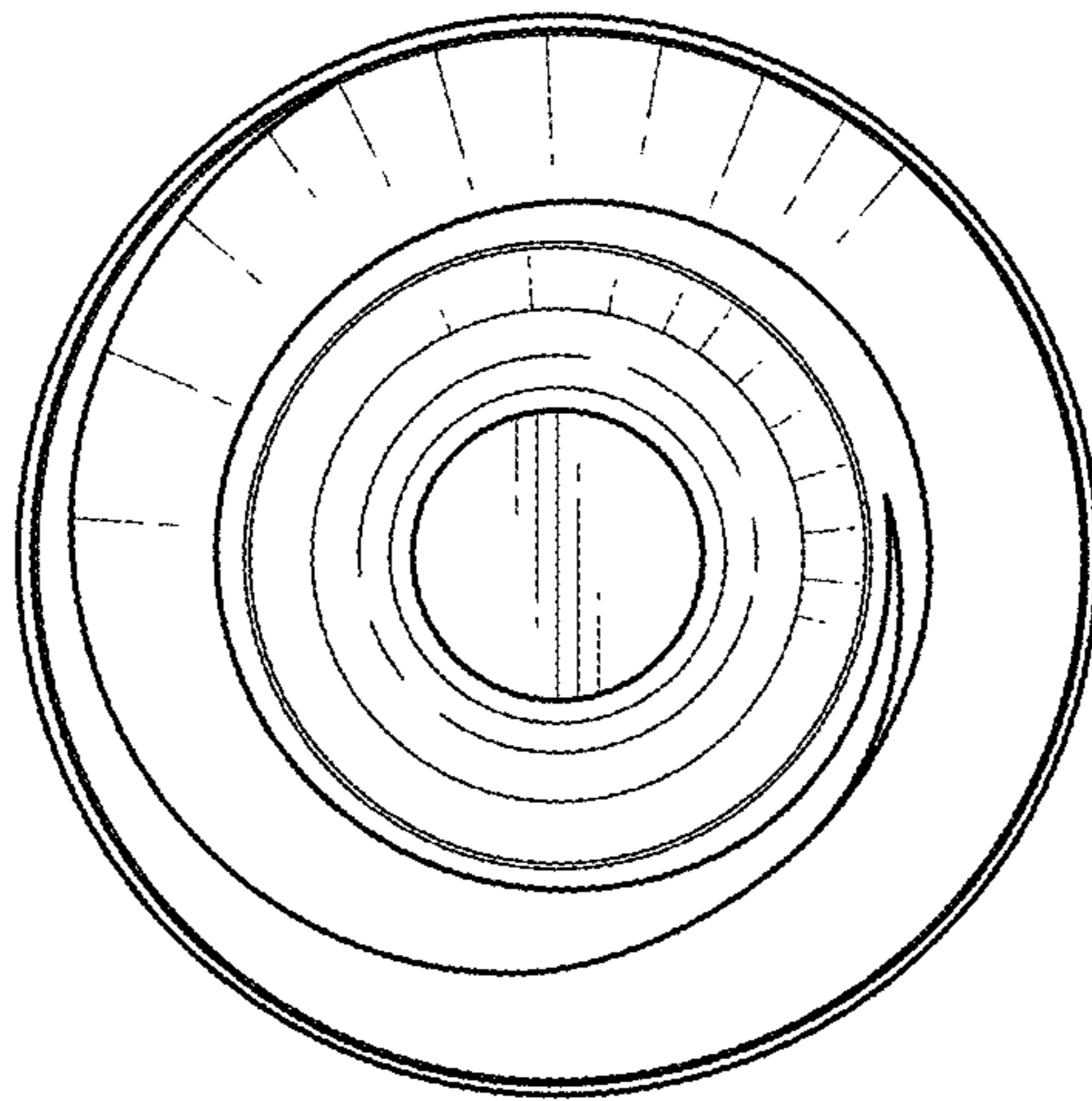


FIG. 7

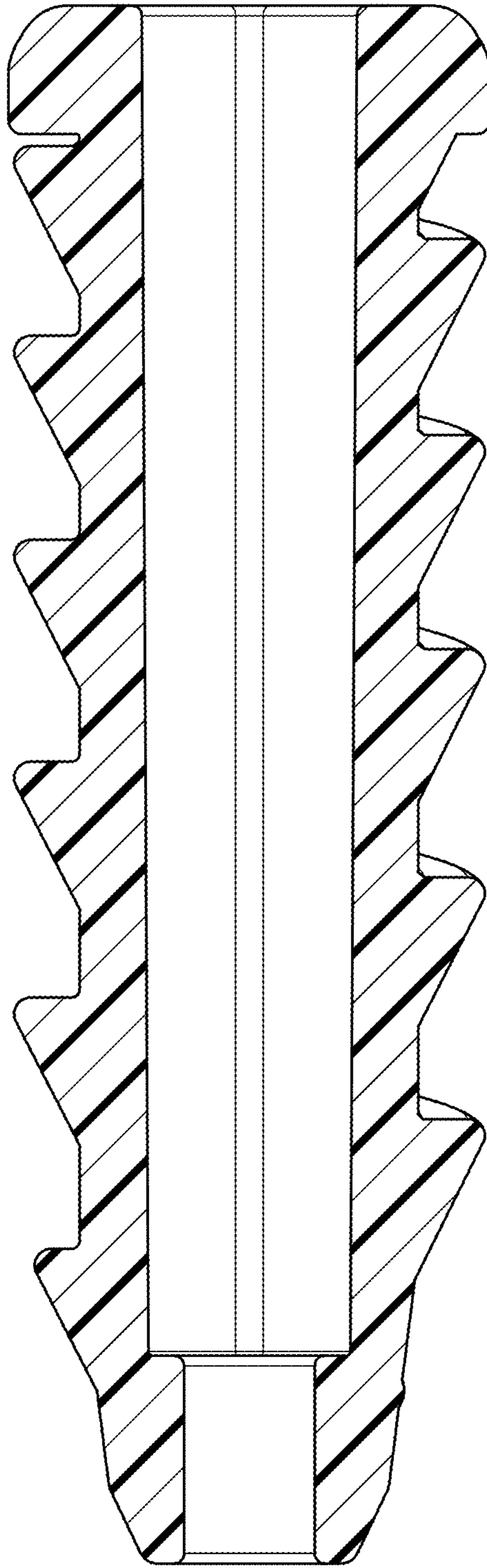


FIG. 8