



US00D854686S

(12) **United States Design Patent** (10) **Patent No.:** **US D854,686 S**  
**Gravett et al.** (45) **Date of Patent:** **\*\* Jul. 23, 2019**

(54) **HANDLE FOR A MEDICAL DEVICE**

(71) Applicant: **Baylis Medical Company Inc.,**  
Montreal (CA)

(72) Inventors: **Matthew Gravett, Milton (CA);**  
**Jeffery Arnett, Gilbert, AZ (US);**  
**Lyndsay Stephenson, Toronto (CA)**

(73) Assignee: **Baylis Medical Company Inc.,**  
Mississauga (CA)

(\*\*) Term: **15 Years**

(21) Appl. No.: **29/646,675**

(22) Filed: **May 7, 2018**

(51) **LOC (11) Cl.** ..... **24-02**

(52) **U.S. Cl.**  
USPC ..... **D24/147**

(58) **Field of Classification Search**  
USPC ..... D24/146, 147, 133, 143, 144, 145;  
D8/14, 82, 83, 84, 85, 86, 87, 107, 303,  
D8/307; 81/487, 489; 606/79, 80, 84;  
D13/137.1, 137.2, 137.3, 137.4, 138.1,  
D13/138.2  
CPC ... A61B 17/025; A61B 17/16; A61B 17/1615;  
A61B 17/1617; A61B 17/164; A61B  
17/1666; A61B 17/1875; A61B  
2017/0023; A61B 2017/0256; A61B  
2017/320084; A61B 17/3211; A61B  
2017/32113; A61B 17/1622  
See application file for complete search history.

(56) **References Cited**

**U.S. PATENT DOCUMENTS**

D394,794 S \* 6/1998 Vasudeva ..... D8/107  
D406,260 S \* 3/1999 Wardenburg ..... D13/137.1

D434,725 S \* 12/2000 Flaughner ..... D13/137.1  
D474,097 S \* 5/2003 Hsiao ..... D8/107  
D564,329 S \* 3/2008 Hsieh ..... D8/107  
D564,964 S \* 3/2008 Caine ..... D13/137.1  
D657,217 S \* 4/2012 Chang ..... D8/107  
D662,588 S \* 6/2012 Davies ..... D24/144  
D665,078 S \* 8/2012 Griffis, III ..... D24/145  
D683,452 S \* 5/2013 Davies ..... D24/144  
D786,430 S \* 5/2017 Davies ..... D24/144  
D818,586 S \* 5/2018 Hamel ..... D24/146  
2016/0199070 A1\* 7/2016 MacLeod ..... A61B 17/1633  
606/84

\* cited by examiner

*Primary Examiner* — Cathron C Brooks

*Assistant Examiner* — Samantha Q Lawrence

(74) *Attorney, Agent, or Firm* — Vincent Man; Glenn Arnold

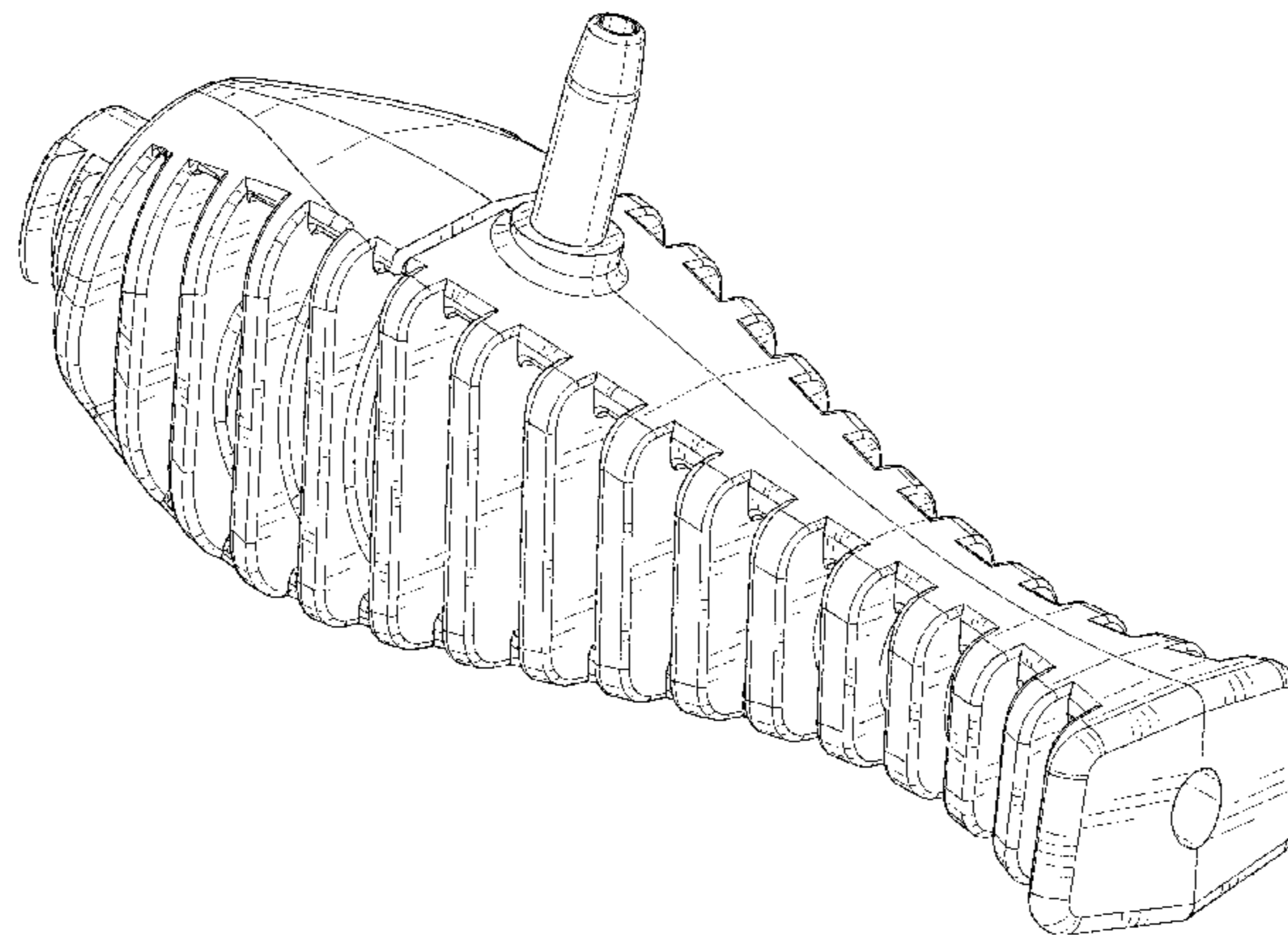
(57) **CLAIM**

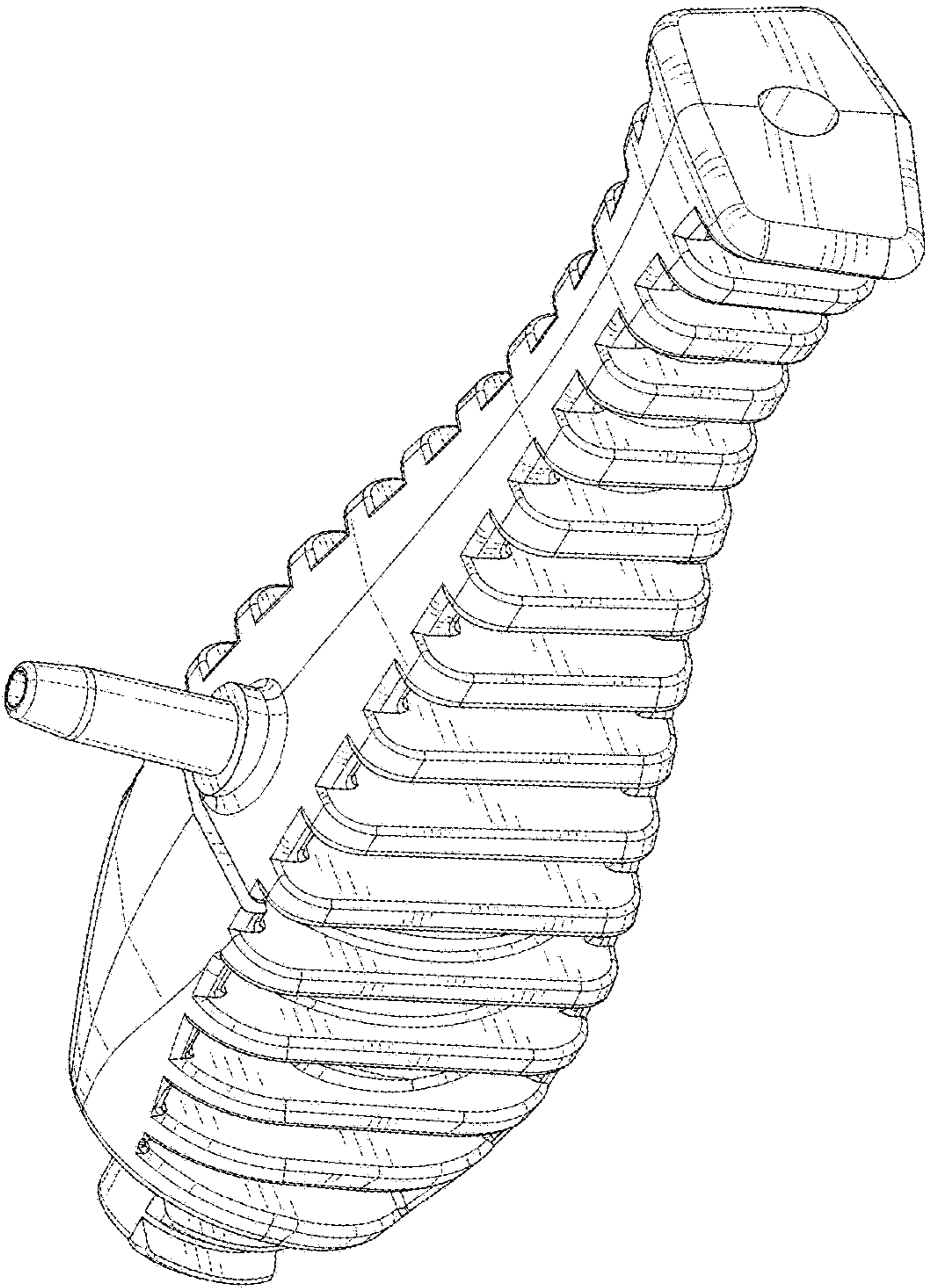
The ornamental design for a handle for a medical device, as shown and described.

**DESCRIPTION**

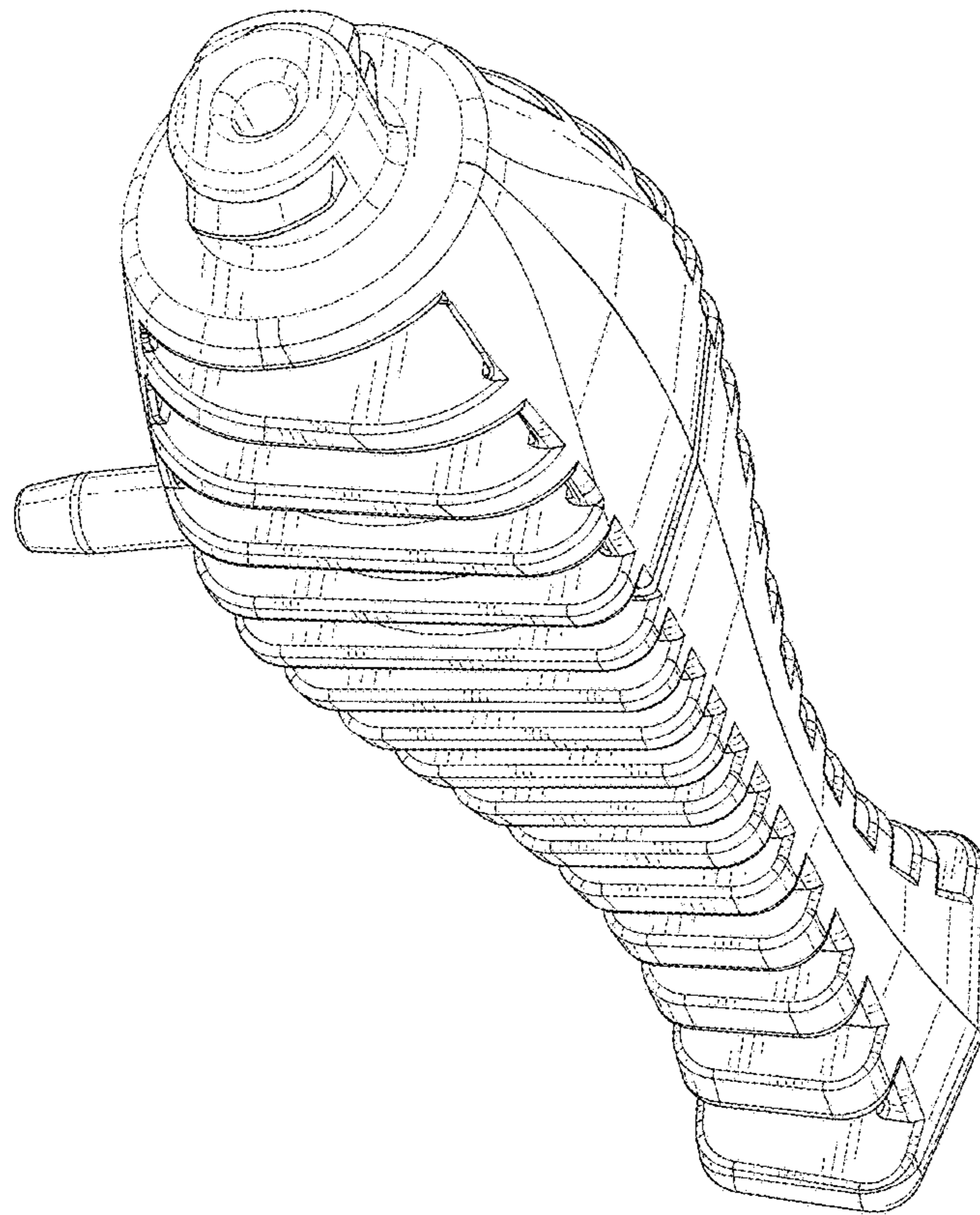
FIG. 1 is a top, front, right side perspective view of a handle for a medical device, showing our new design;  
FIG. 2 is a bottom, front, right side perspective view of the handle of FIG. 1;  
FIG. 3 is a right side elevational view of the handle of FIG. 1;  
FIG. 4 is a front elevational view of the handle of FIG. 1; and  
FIG. 5 is a left side elevational view of the handle of FIG. 1;  
FIG. 6 is a rear elevational view of the handle of FIG. 1;  
FIG. 7 is a top plan view of the handle of FIG. 1; and  
FIG. 8 is a bottom plan view of the handle of FIG. 1.

**1 Claim, 8 Drawing Sheets**





**FIG. 1**



**FIG. 2**

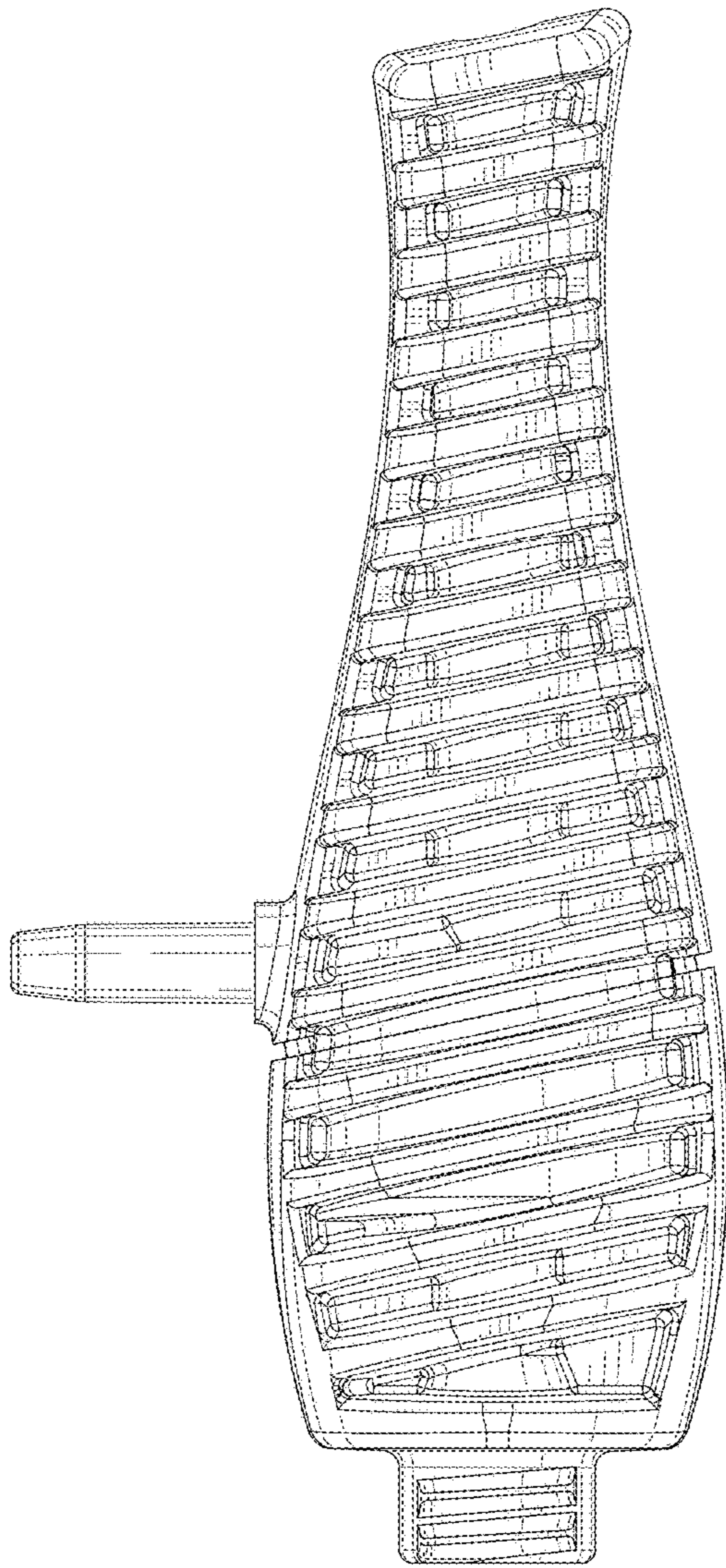
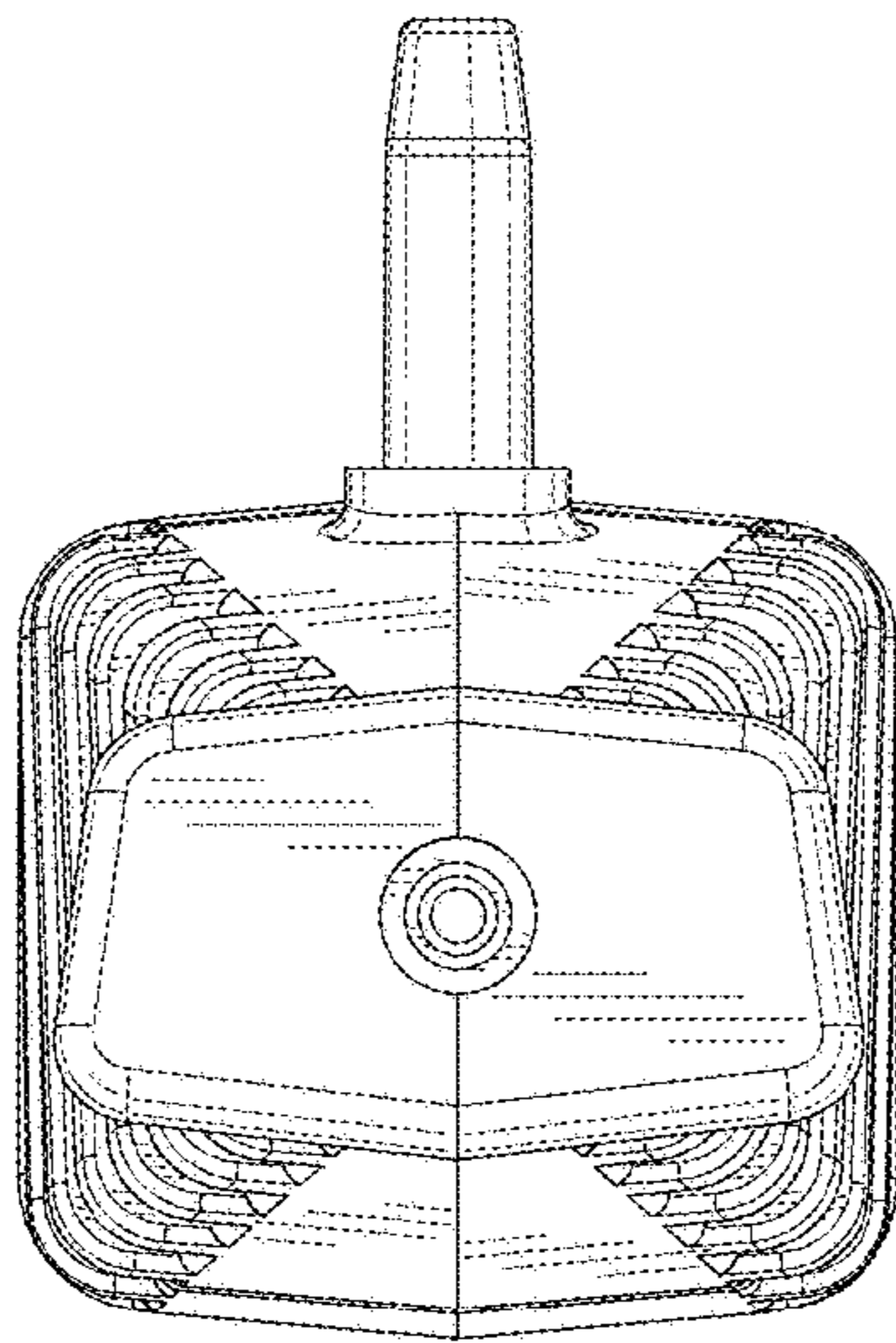
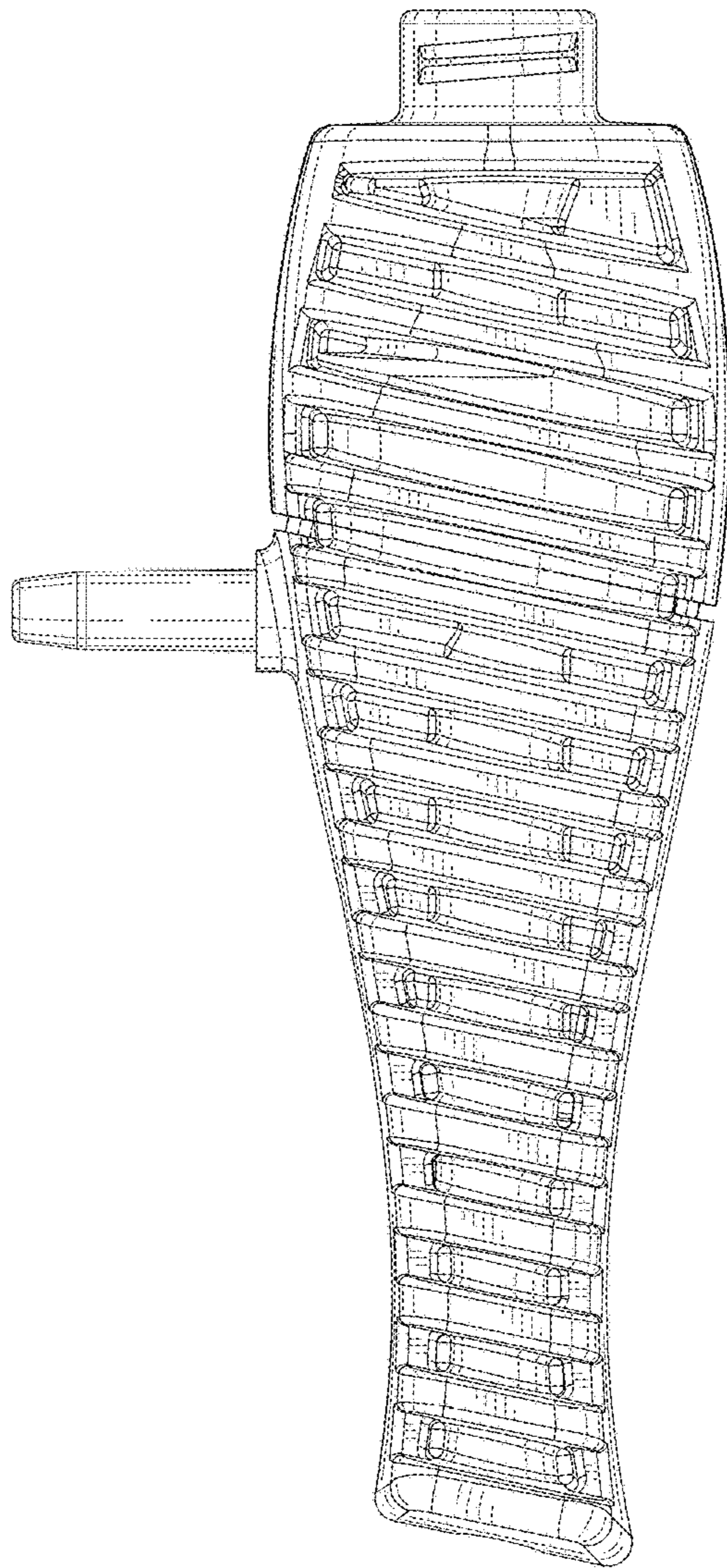


FIG. 3



**FIG. 4**



**FIG. 5**

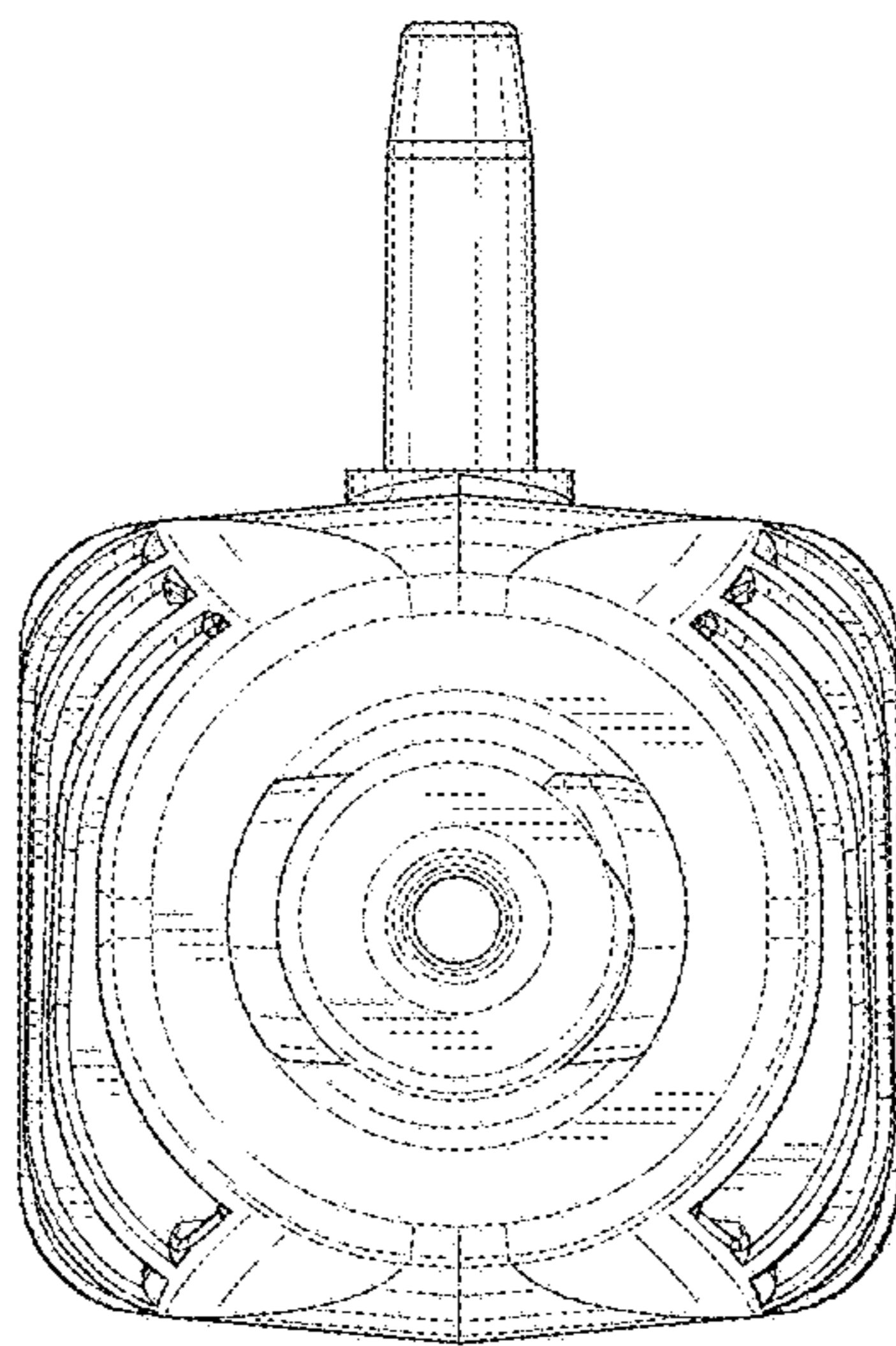
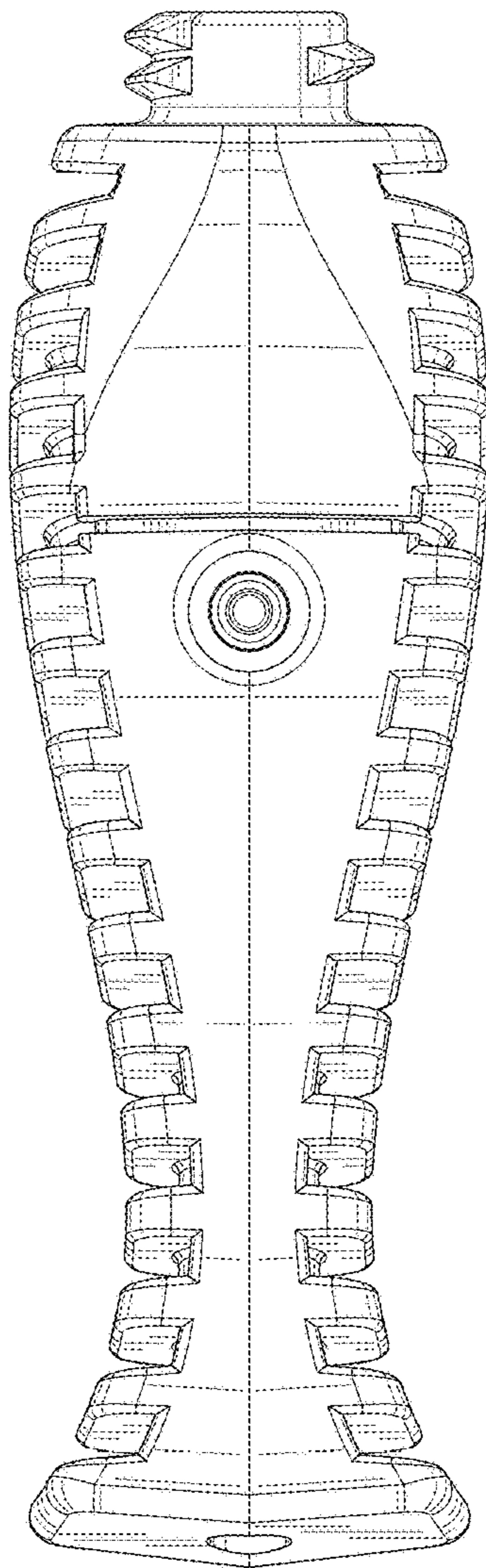
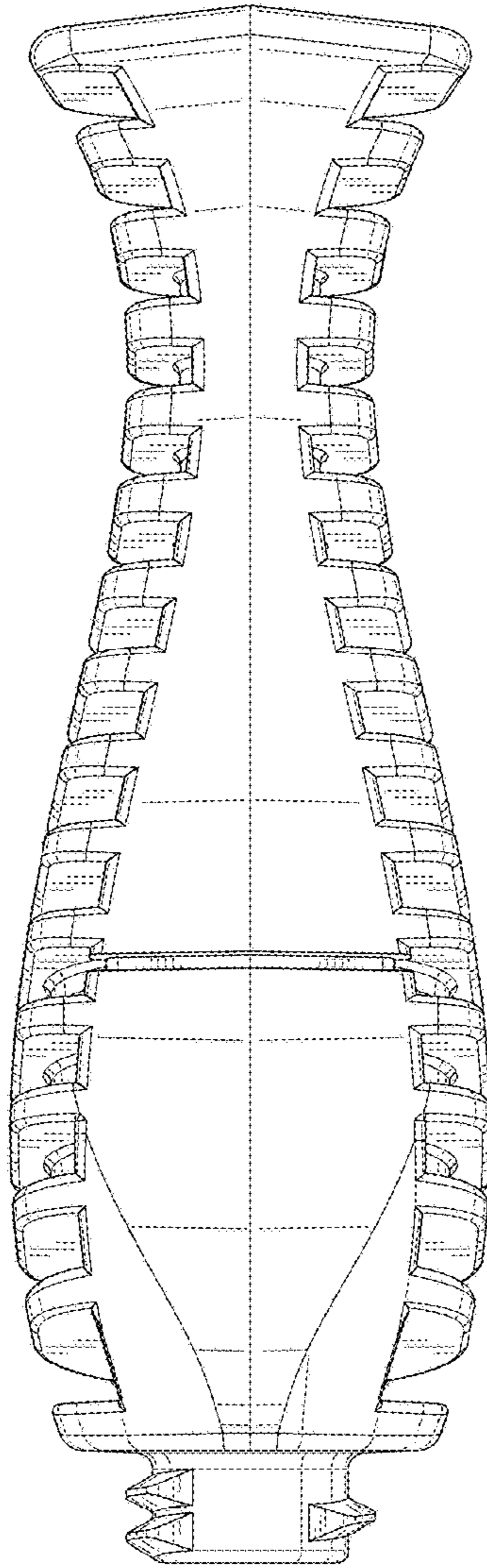


FIG. 6



**FIG. 7**





**FIG. 8**