



US00D854685S

(12) **United States Design Patent** (10) **Patent No.:** **US D854,685 S**
Austria (45) **Date of Patent:** **** Jul. 23, 2019**

(54) **SCALPEL HANDLE SHEATH** D473,649 S * 4/2003 Howell A61B 17/3211 D24/146
(71) Applicant: **Aspen Surgical Products, Inc.,** D475,135 S 5/2003 Howell et al.
Caledonia, MI (US) 6,626,925 B2 9/2003 Newman
6,629,985 B1 10/2003 Kiehne
(72) Inventor: **Georgene Austria,** West Hills, CA (US) D482,122 S 11/2003 Cohn et al.
6,645,216 B2 11/2003 Masury et al.
(73) Assignee: **Aspen Surgical Products, Inc.,** D483,871 S * 12/2003 Endo D24/147
Caledonia, MI (US) 6,757,977 B2 7/2004 Dambal et al.
7,156,231 B1 * 1/2007 Austria A61B 17/32 206/355
(**) Term: **15 Years** D542,415 S 5/2007 Sandel
D568,475 S 5/2008 Sandel et al.
(21) Appl. No.: **29/617,001** 8,015,712 B2 9/2011 Yi et al.
(22) Filed: **Sep. 11, 2017** (Continued)

FOREIGN PATENT DOCUMENTS

AU 620691 B 8/1992
GB 846877 A 8/1960
(Continued)

Primary Examiner — Garth Rademaker
Assistant Examiner — Samantha Q. Lawrence
(74) *Attorney, Agent, or Firm* — Price Heneveld LLP

(57) **CLAIM**

The ornamental design for a scalpel handle sheath, as shown and described.

DESCRIPTION

FIG. 1 is a front perspective view of a scalpel handle sheath according to my design;
FIG. 2 is a front view thereof;
FIG. 3 is a back view thereof;
FIG. 4 is a right side view thereof;
FIG. 5 is a left side view thereof;
FIG. 6 is a top view thereof; and,
FIG. 7 is a bottom view thereof.
The broken lines shown in FIGS. 1-7 illustrate portions of the article that form no part of the claimed design.

1 Claim, 4 Drawing Sheets

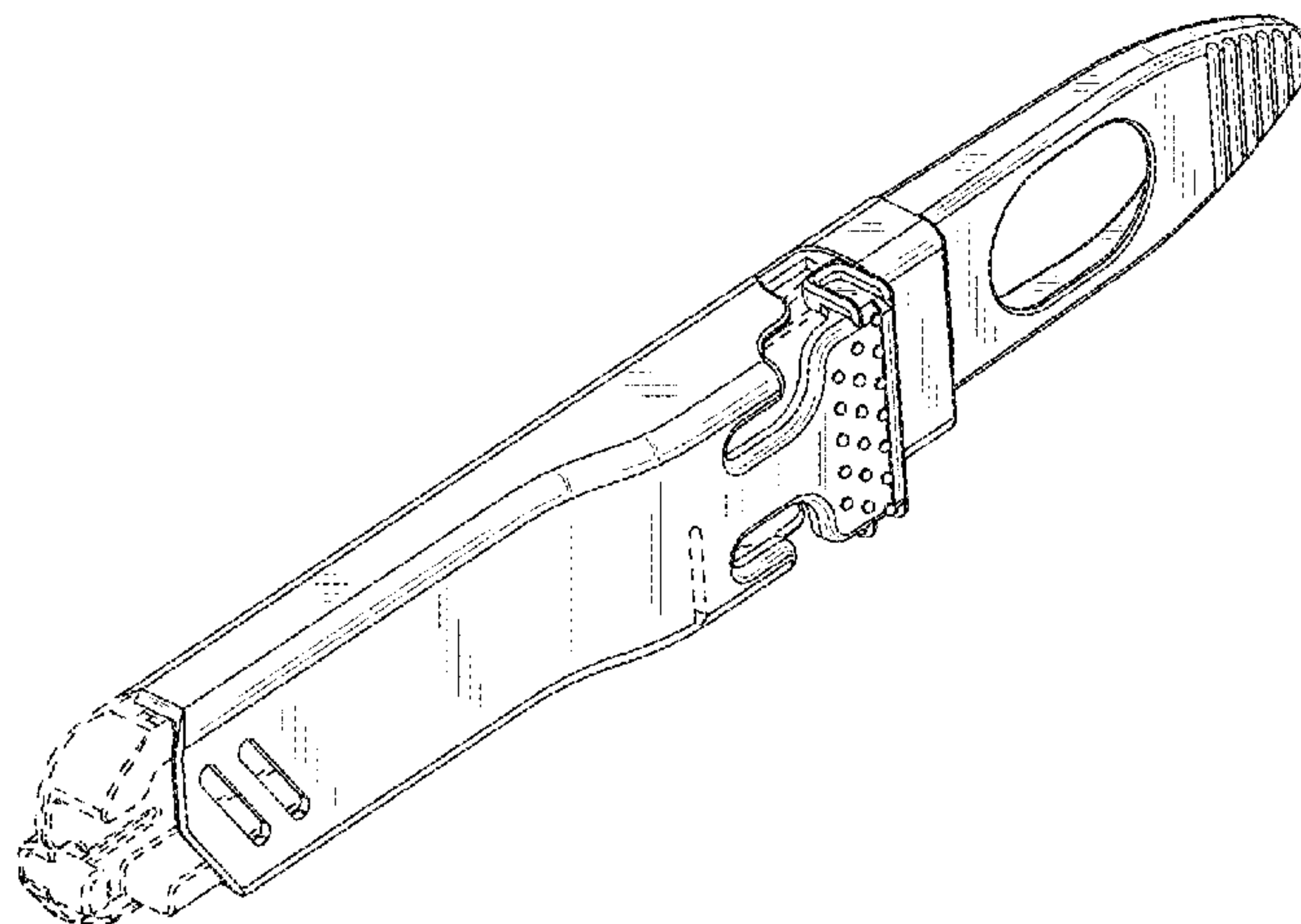
Related U.S. Application Data

(62) Division of application No. 29/519,622, filed on Mar. 6, 2015, now Pat. No. Des. 800,905.
(51) **LOC (11) Cl.** **24-02**
(52) **U.S. Cl.**
USPC **D24/146**
(58) **Field of Classification Search**
USPC D24/128, 130, 133, 140, 146, 147, 148;
30/151, 335; 606/167; D8/98, 99, 102
CPC A61B 17/3213; A61B 17/3217; A61B
17/3215; A61B 2017/32113
See application file for complete search history.

References Cited

U.S. PATENT DOCUMENTS

(56) 3,921,289 A 11/1975 Hasegawa
4,173,071 A 11/1979 Ishida
4,998,334 A 3/1991 Pemberton et al.
5,868,771 A 2/1999 Herbert et al.
D470,587 S * 2/2003 Howell A61B 17/3211 D24/147
D470,938 S * 2/2003 Howell A61B 17/3211 D24/147



(56)

References Cited

U.S. PATENT DOCUMENTS

8,898,910	B2	12/2014	Ichiyangi et al.
8,931,181	B2	1/2015	Milton et al.
9,113,946	B2	8/2015	Hajgato et al.
D739,020	S	9/2015	Kumar
9,693,797	B2 *	7/2017	Austria A61B 17/3213
D800,905	S *	10/2017	Austria D24/146
D813,390	S *	3/2018	Austria D24/147
2004/0186496	A1	9/2004	Sandel et al.
2009/0165310	A1 *	7/2009	Nakamura A61B 17/3213 30/335
2009/0192538	A1	7/2009	Sandel et al.
2010/0137894	A1	6/2010	Ueno et al.
2012/0311869	A1	12/2012	Ichiyangi et al.
2013/0079804	A1	3/2013	Milton et al.

FOREIGN PATENT DOCUMENTS

GB	2464751	B	5/2012
JP	3026909	B2	3/2000
JP	3126664	B2	1/2001
JP	2002177291	A	6/2002
JP	2006340857	A	12/2006
JP	5390694	B2	1/2014
WO	2008132762	A1	11/2008
WO	2011108099	A1	9/2011
WO	2012002910	A1	1/2012

* cited by examiner

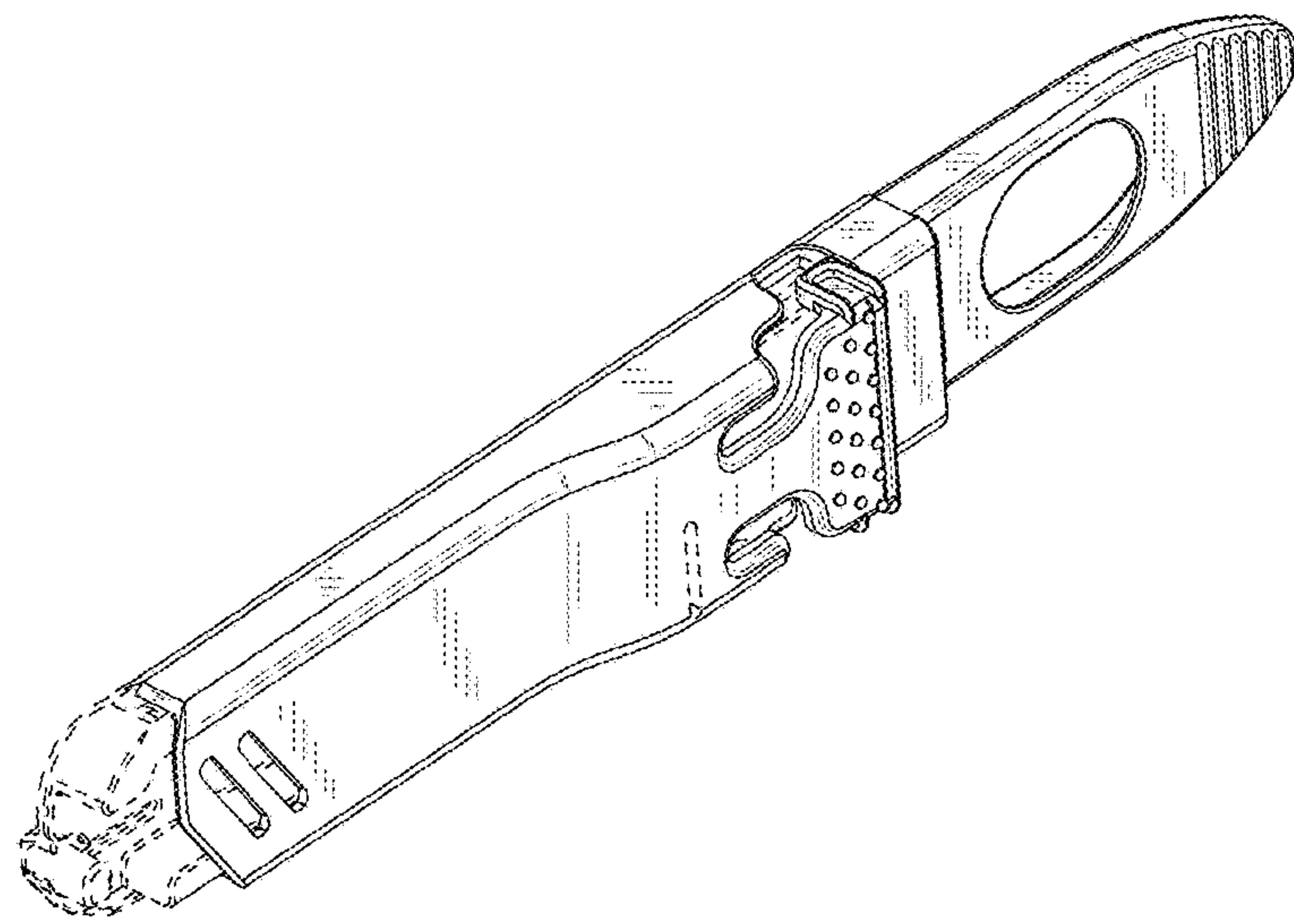


FIG. 1

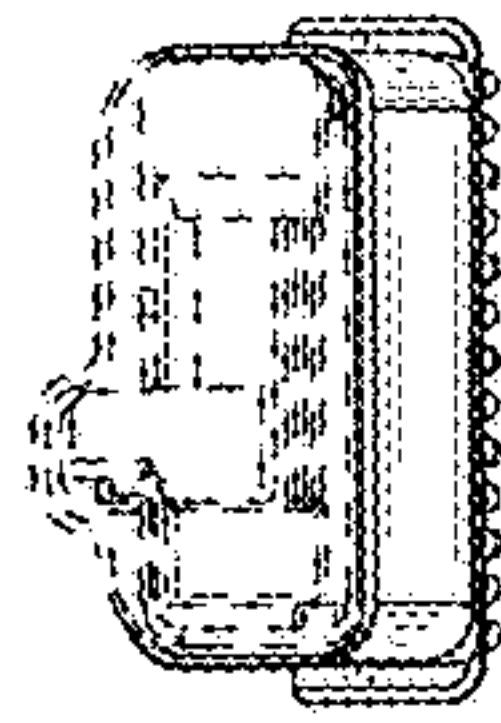


FIG. 2

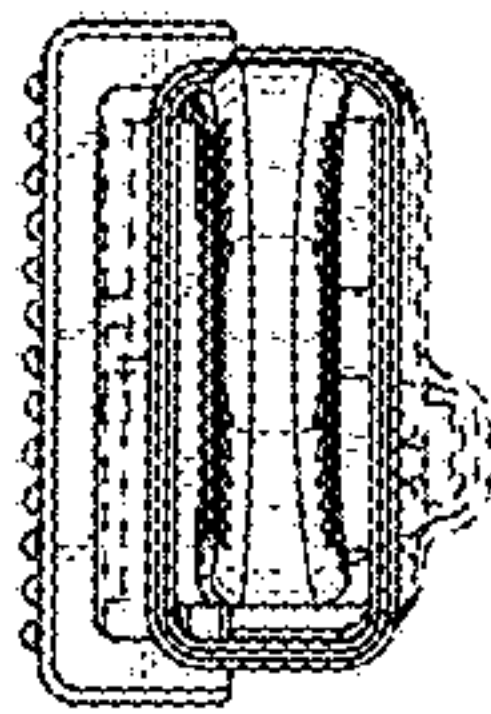


FIG. 3

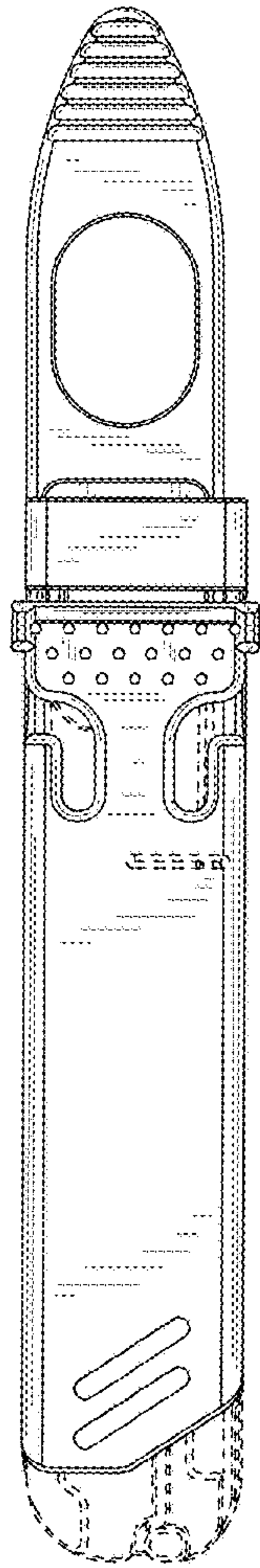


FIG. 4

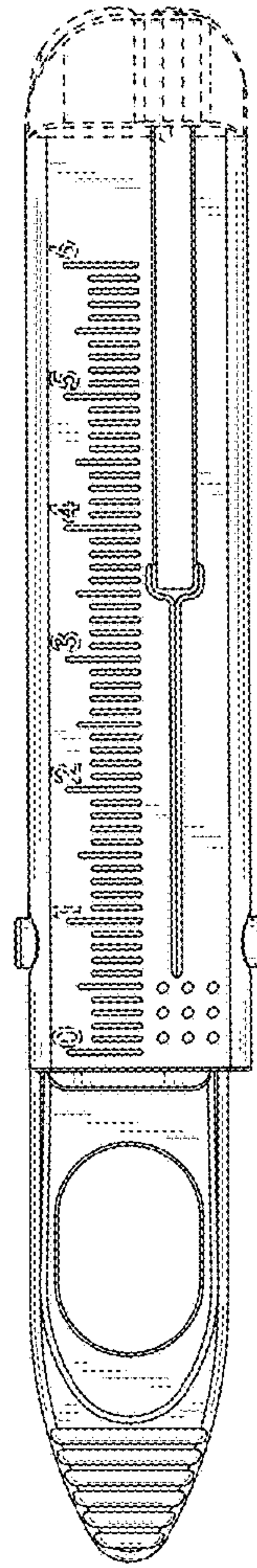


FIG. 5

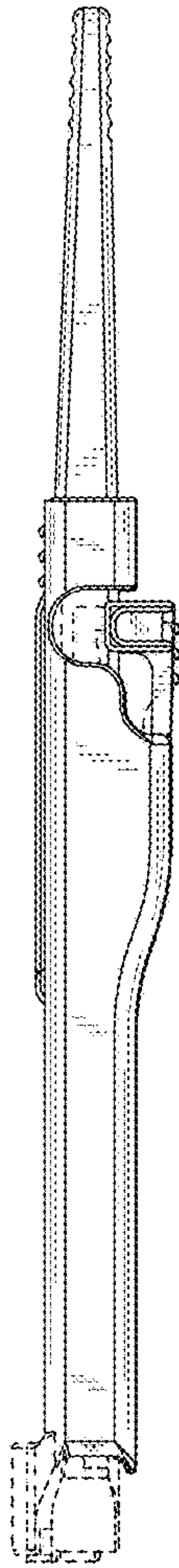


FIG. 6

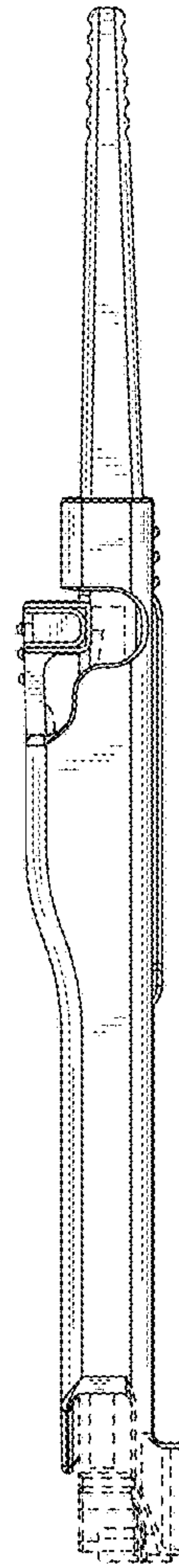


FIG. 7