



US00D854677S

(12) **United States Design Patent**
Haggar

(10) **Patent No.:** **US D854,677 S**

(45) **Date of Patent:** **** Jul. 23, 2019**

- (54) **CEILING FAN**
- (71) Applicant: **HUNTER FAN COMPANY**,
Memphis, TN (US)
- (72) Inventor: **Alexander Jonathan Haggar**,
Memphis, TN (US)
- (73) Assignee: **Hunter Fan Company**, Memphis, TN
(US)

- 5,437,540 A * 8/1995 Blocker F04D 25/088
310/232
- 5,568,969 A * 10/1996 Yu F04D 25/088
248/343
- D375,605 S * 11/1996 Balish, Jr. D26/87
- 5,624,230 A * 4/1997 Taylor F04D 25/088
261/DIG. 88
- D386,257 S * 11/1997 Liu D23/377
- D390,649 S * 2/1998 Pearce D23/377
- D398,980 S 9/1998 Pearce

(Continued)

(**) Term: **15 Years**

(21) Appl. No.: **29/613,563**

(22) Filed: **Aug. 11, 2017**

(51) **LOC (11) Cl.** **23-04**

(52) **U.S. Cl.**
USPC **D23/377**; D26/59

(58) **Field of Classification Search**
USPC D23/377, 379, 385, 411-414, 351, 352,
D23/354, 370, 371, 373-375, 381,
D23/386-389, 393; D26/59, 88, 89, 120,
D26/124, 128
CPC F04D 25/088; F04D 29/38; F04D 29/384;
F04D 29/386; F21V 33/0096
See application file for complete search history.

(56) **References Cited**

U.S. PATENT DOCUMENTS

- D49,964 S * 11/1916 Humphrey D26/88
- D158,821 S * 5/1950 Walter D26/104
- 4,053,761 A * 10/1977 Brinkley F21S 6/002
362/404
- 4,342,073 A * 7/1982 Ranten F04D 25/088
362/147
- 4,357,506 A * 11/1982 Breining H02G 3/00
174/54
- 4,504,191 A * 3/1985 Brown F04D 25/088
392/362
- D290,748 S * 7/1987 Kawai D23/377
- D304,229 S * 10/1989 Rezek D23/377
- 5,149,042 A * 9/1992 Dumais F04D 29/601
248/220.1

OTHER PUBLICATIONS

Westinghouse 7226100 Turbo Swirl CFL Single-Light 30-Inch Six-Blade Indoor Ceiling Fan, date first available Mar. 30, 2011, Available from Internet, <https://www.amazon.com/Westinghouse-7226100-Single-Light-30-Inch-Six-Blade/dp/B004SCFBXC/ref=sr_1_7?keywords=turbo+swirl+fan&qid=1550158185&s=gateway&sr=8-7>.*

(Continued)

Primary Examiner — Cathron C Brooks
Assistant Examiner — Sharon S Oum
(74) *Attorney, Agent, or Firm* — McGarry Bair PC

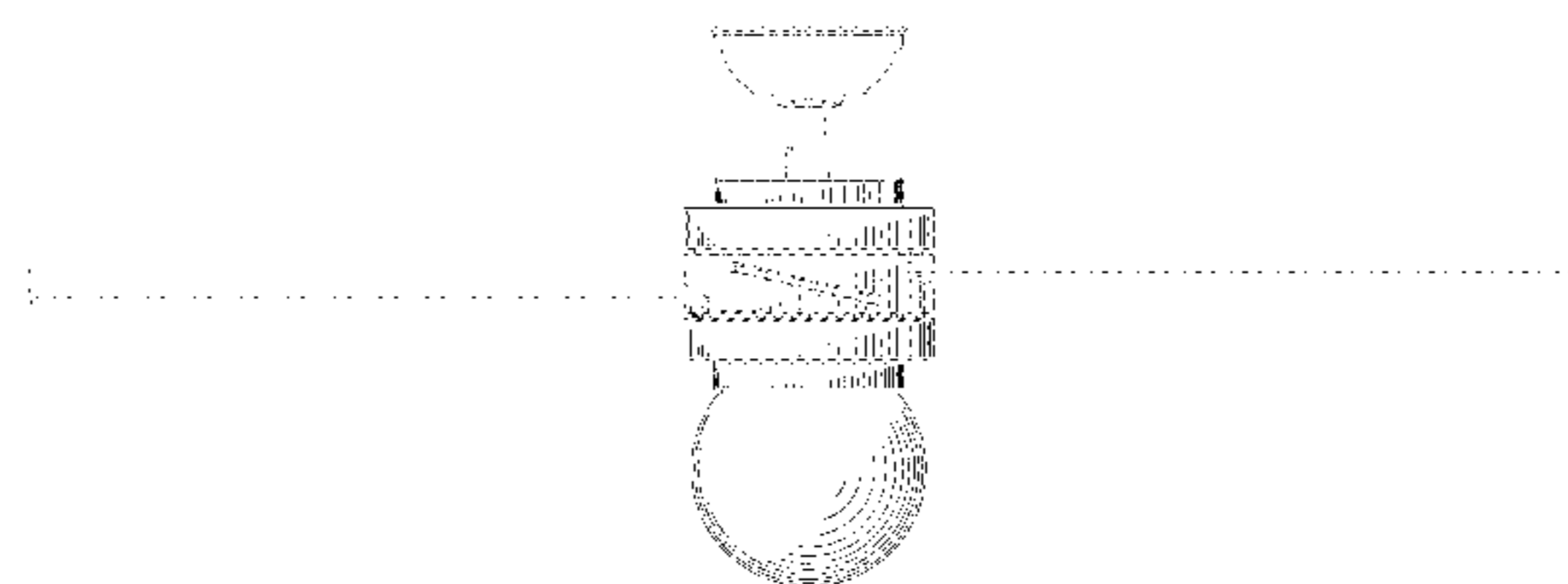
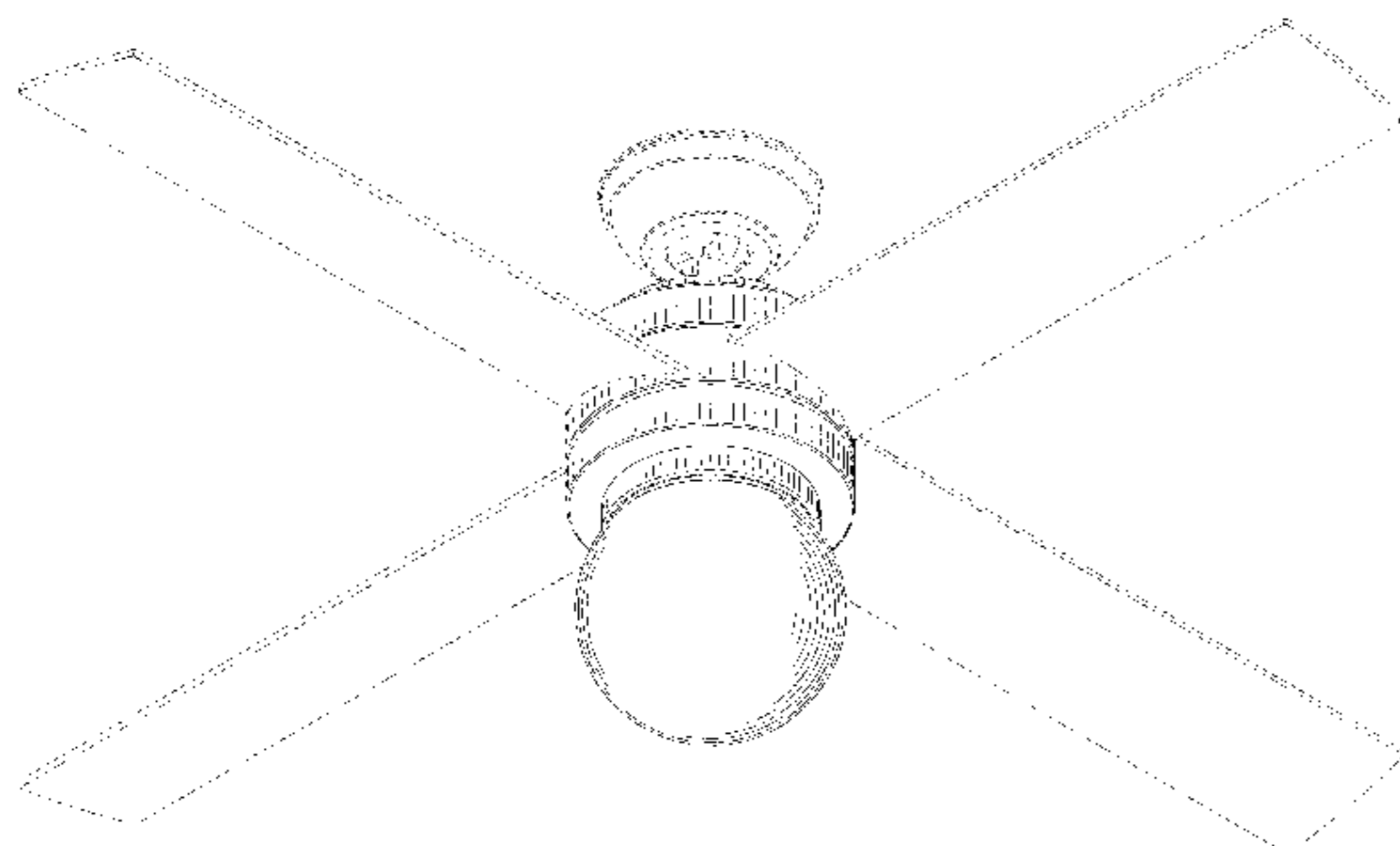
(57) **CLAIM**

The ornamental design for a ceiling fan, as shown and described.

DESCRIPTION

FIG. 1 is a top perspective view of a ceiling fan showing my new design;
FIG. 2 is a bottom perspective view of the ceiling fan of FIG. 1;
FIG. 3 is a top view of the ceiling fan of FIG. 1;
FIG. 4 is a bottom view of the ceiling fan of FIG. 1; and,
FIG. 5 is a side view of the ceiling fan of FIG. 1.
The broken lines illustrate portions of the ceiling fan that form no part of the claimed design.

1 Claim, 5 Drawing Sheets



(56)

References Cited

U.S. PATENT DOCUMENTS

D414,856 S * 10/1999 Zuege D23/377
 5,993,159 A * 11/1999 Mack F21V 23/04
 200/331
 D433,179 S * 10/2000 Johnson D26/129
 6,244,820 B1 * 6/2001 Yilmaz F04D 25/088
 416/146 R
 D449,682 S 10/2001 Gajewski
 D479,317 S * 9/2003 Gajewski D23/377
 D542,905 S * 5/2007 Young D23/377
 D547,436 S * 7/2007 Shurtleff D23/411
 D570,515 S * 6/2008 Flaherty D26/68
 D600,339 S 9/2009 Searle
 D603,955 S * 11/2009 Patton D23/411
 D609,324 S * 2/2010 Lee D23/377
 D627,456 S 11/2010 Glasbrenner
 D627,874 S 11/2010 Pan
 D630,312 S * 1/2011 Spaulding D23/377
 D632,384 S 2/2011 Pan
 D641,096 S * 7/2011 Markle D26/88
 D698,478 S * 1/2014 Randolph D26/67
 D744,634 S 12/2015 Wang
 D751,187 S * 3/2016 Dolan D23/377
 D766,491 S * 9/2016 Lee D26/88
 9,746,147 B2 * 8/2017 Benner H01R 33/92
 D797,355 S * 9/2017 Sonneman D26/118
 D810,919 S * 2/2018 Hagggar D23/377
 D825,092 S * 8/2018 Amato D26/88
 D835,827 S * 12/2018 Amato D26/72
 D838,357 S * 1/2019 Hagggar D23/411
 2012/0106137 A1 * 5/2012 Scott F21S 8/061
 362/147
 2014/0340880 A1 * 11/2014 Benner H01R 33/92
 362/147

OTHER PUBLICATIONS

<http://ceilingfans.emerson.com/shop/en/fan/fan-s-all/fans-s-browse-all/highrise-fan-p-cf430>, Item Specification for Emerson Highrise, Model No. CF430BS, Accessed on Oct. 27, 2016.

<http://ceilingfans.emerson.com/shop/en/fan/fans-s-emerson-fans/fans-s-contemporary/atomical-fan-p-cf930>, Item Specification for Emerson Atomical, Model No. CF930WW, Accessed on Oct. 27, 2016.
<http://www.minkagroup.net/products/f734-gl>, Item Specification for Minka Group Strata, Model No. F734-GL, Accessed on Oct. 27, 2016.
<http://www.craftmade.com/Craftmade-MN44FB4-Flat-Black-Ceiling-Fan.HTM>, Item Specification for Craftmade Montreal, Model No. MN44FB4, Accessed on Oct. 27, 2016.
<http://www.kichler.com/products/product/52-arkwet-patio-ceiling-fan-wsp-339529wsp.aspx>, Item Specification for Kichler Arkwet Patio Collection 52" Arkwet Patio Ceiling Fan WSP, Model No. 339529WSP, Accessed on Oct. 27, 2016.
<http://www.kichler.com/products/product/arkwright-ceiling-fan-ap-300146ap.aspx>, Item Specification for Kichler Arkwright Collection Arkwright Fan AP, Model No. 300146AP, Accessed on Oct. 27, 2016.
<http://www.quoruminternational.com/index.cfm/app/productDetail?product=32323-65>, Item Specification for Quorum Gusto Satin Nickel Ceiling Fan, Model No. 32323-65, Accessed on Oct. 27, 2016.
<http://www.montecarlofans.com/38127/42-Vision-II---Oil-Rubbed-Bronze-3VNR42OZD.html>, Monte Carlo 42" Vision II, Model No. 3VNR42OZD, Accessed on Oct. 27, 2016.
<http://www.modernfan.com/products/lumina.html>, Item Specification for Modern Fan Co Lumina, Accessed on Oct. 27, 2016.
<http://www.kingoffans.com/#/products/ceilingFans>, Item Specification for Tripoli, Accessed on Oct. 27, 2016.
<http://www.fanimation.com/products/index.php/fans/distinction-dc.html>, Item Specification for Fanimation Distinction DC, Model No. D1, Accessed on Oct. 27, 2016.
<http://www.fanimation.com/products/crestford/>, Item Specification for Fanimation Crestford, Model No. FP7954, Accessed on Oct. 27, 2016.
<http://www.craftmade.com/Craftmade-FB60OBG5-Oiled-Bronze-Gilded-Outdoor-Ceiling-Fan.HTM>, Item Specification for Craftmade Fredericksburg, Model FB60OBG5, Accessed on Oct. 27, 2016.

* cited by examiner

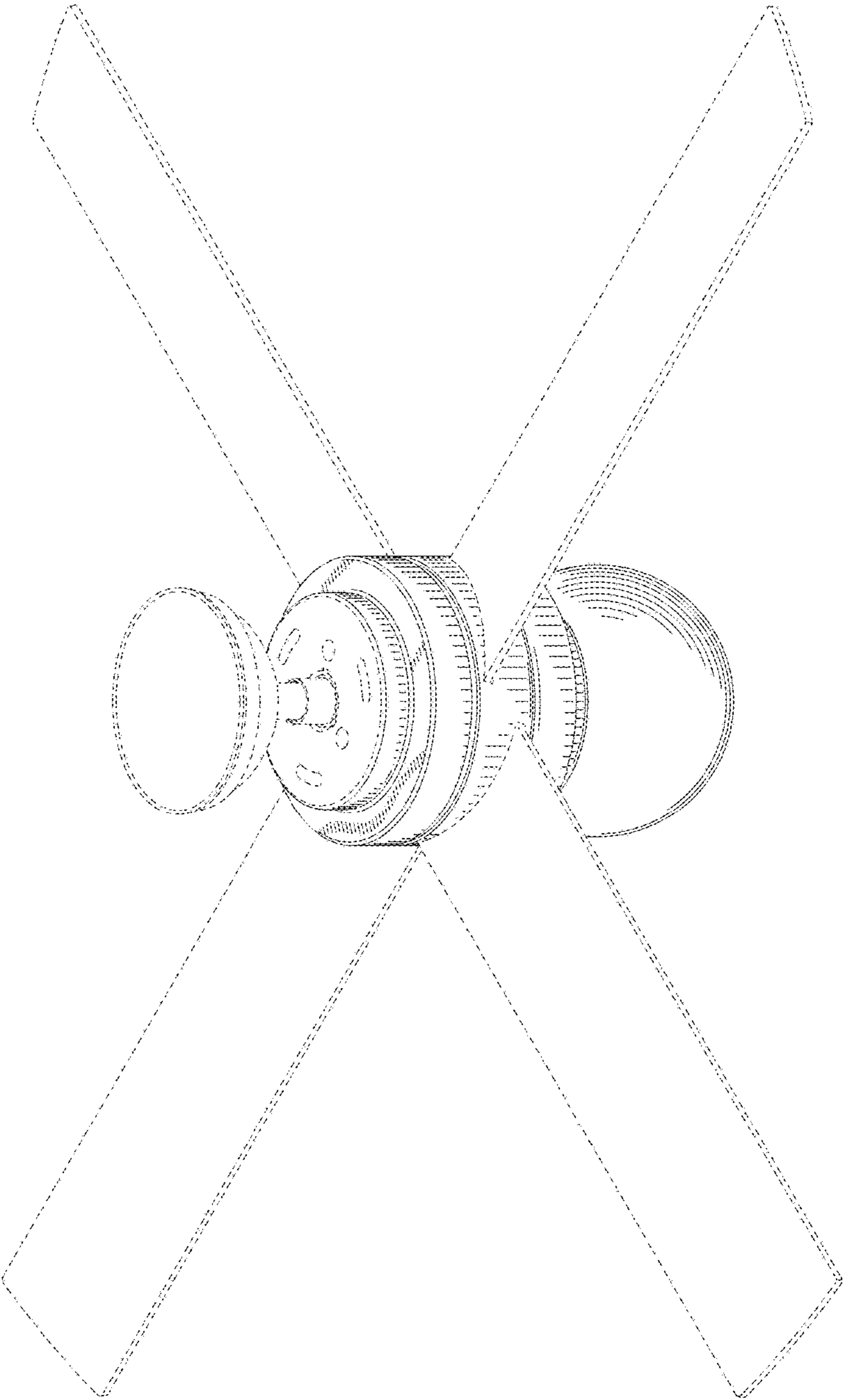


FIG.1

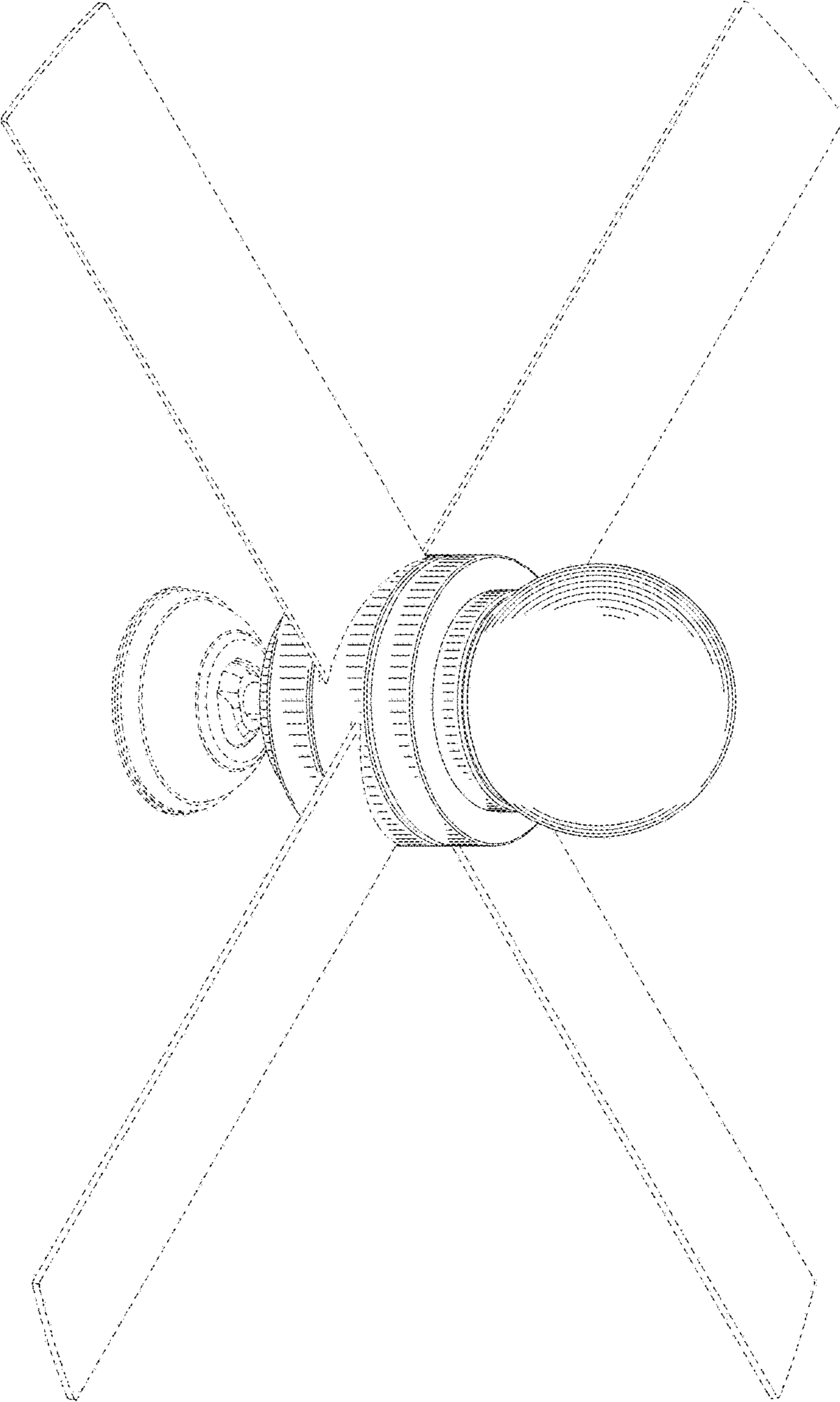


FIG.2

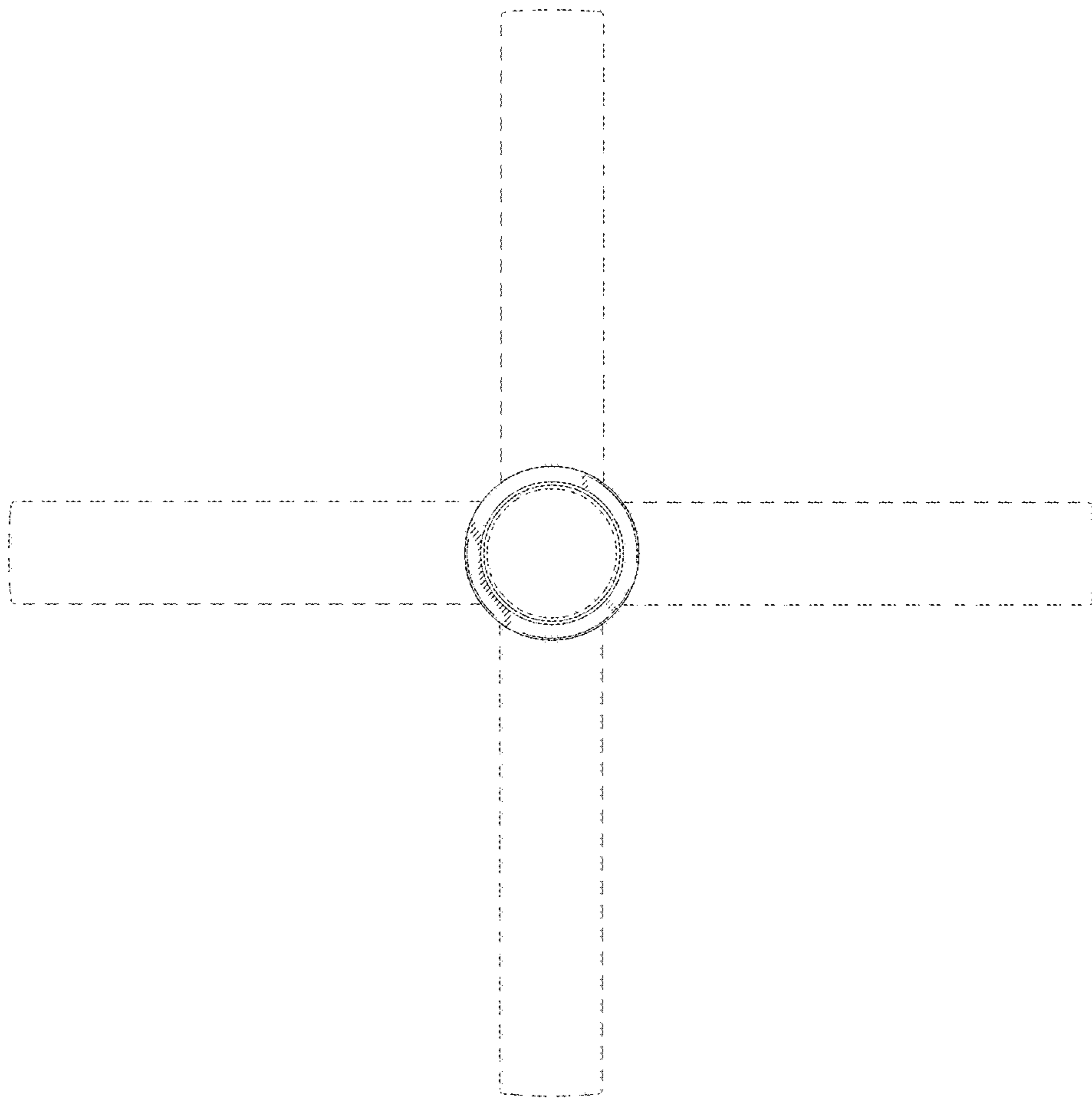


FIG.3

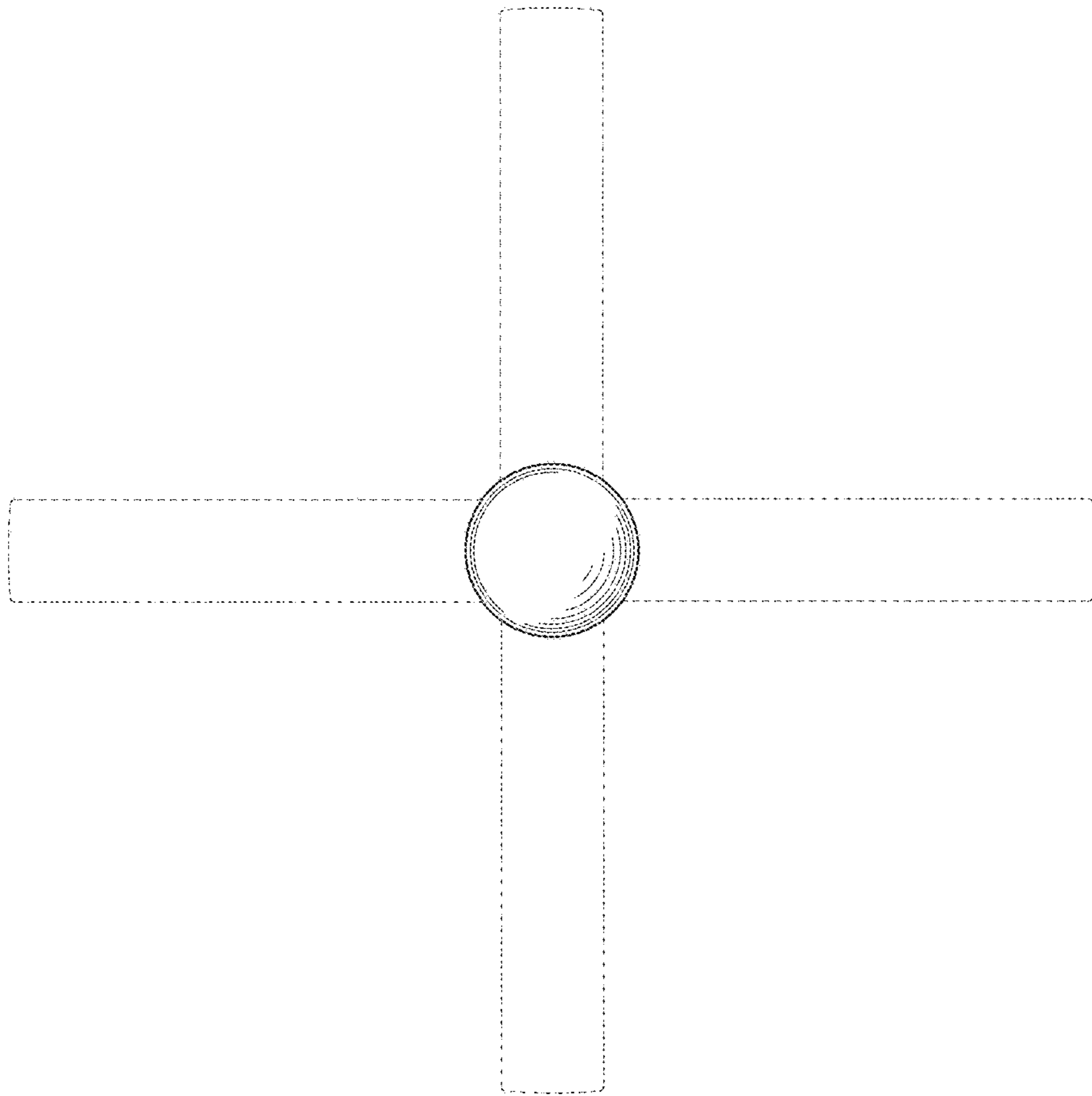


FIG.4

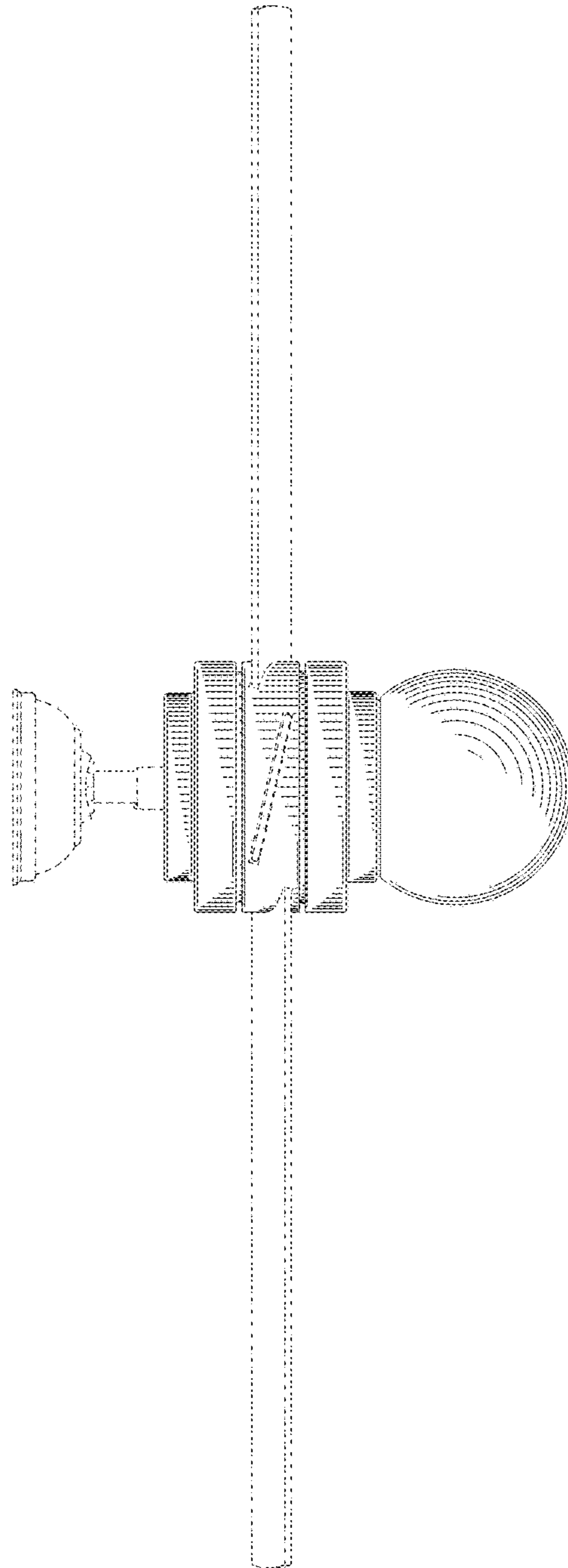


FIG.5