



US00D854675S

(12) **United States Design Patent**
Meister

(10) **Patent No.:** **US D854,675 S**

(45) **Date of Patent:** **** Jul. 23, 2019**

(54) **OIL DIFFUSER**

(71) Applicant: **Rene Meister**, Boise City, OK (US)

(72) Inventor: **Rene Meister**, Boise City, OK (US)

(**) Term: **15 Years**

(21) Appl. No.: **29/623,127**

(22) Filed: **Oct. 23, 2017**

(51) **LOC (11) Cl.** **28-99**

(52) **U.S. Cl.**
USPC **D23/367**

(58) **Field of Classification Search**
USPC D15/22-26, 10, 16; D23/408, 314, 325,
D23/333-336, 355-367, 386-388, 369,
D23/370; D12/82, 93, 95
CPC . A61L 9/03; A61L 9/012; A61L 9/015; A61L
9/037; A61L 9/00; A61L 9/02; A61L
9/032; A61L 9/035; A61L 9/04; A61L
9/12; G09F 19/08
See application file for complete search history.

(56) **References Cited**

U.S. PATENT DOCUMENTS

D253,057 S *	10/1979	Fachini	D15/26
D308,032 S *	5/1990	Kerney	D12/96
D365,628 S *	12/1995	Braun	D23/366
D383,864 S *	9/1997	Billings	D23/366
D390,942 S *	2/1998	Mei	D12/327
D406,552 S *	3/1999	Hellhake	D12/93
D413,970 S *	9/1999	Chen	D12/344
D435,898 S *	1/2001	Yang	D23/367
D462,432 S *	9/2002	Robson	D23/367
D480,461 S *	10/2003	Stone	D23/367
D481,114 S *	10/2003	Cane	D23/367
D492,020 S *	6/2004	Sevy	D23/366
D535,007 S *	1/2007	Koon	D12/209
D535,008 S *	1/2007	Wu	D12/209

D568,342 S *	5/2008	Kleingraeber	D15/26
D639,414 S *	6/2011	Berndt	D23/366
D668,755 S *	10/2012	Browder	D23/367
D669,162 S *	10/2012	Browder	D23/367
D729,851 S *	5/2015	Kushita	D15/23
D749,645 S *	2/2016	Okuyama	D15/26
D753,730 S *	4/2016	Margutti	D15/23
D754,210 S *	4/2016	Margutti	D15/23
D759,798 S *	6/2016	Young	D23/367
D771,785 S *	11/2016	Huang	D23/366
D800,287 S *	10/2017	Sevy	D23/366
D801,506 S *	10/2017	Sevy	D23/366
D804,626 S *	12/2017	Sevy	D23/366
D807,484 S *	1/2018	Sevy	D23/366
D810,260 S *	2/2018	Sevy	D23/366
D814,357 S *	4/2018	Milton	D12/93
D818,102 S *	5/2018	Li	D23/366
D825,731 S *	8/2018	Hou	D23/366
D827,802 S *	9/2018	Chen	D23/366
D835,772 S *	12/2018	Wei	D23/366
D835,773 S *	12/2018	Yu	D23/366
2010/0308129 A1 *	12/2010	Jorgensen	A61L 9/14 239/34

(Continued)

Primary Examiner — Mark A Goodwin

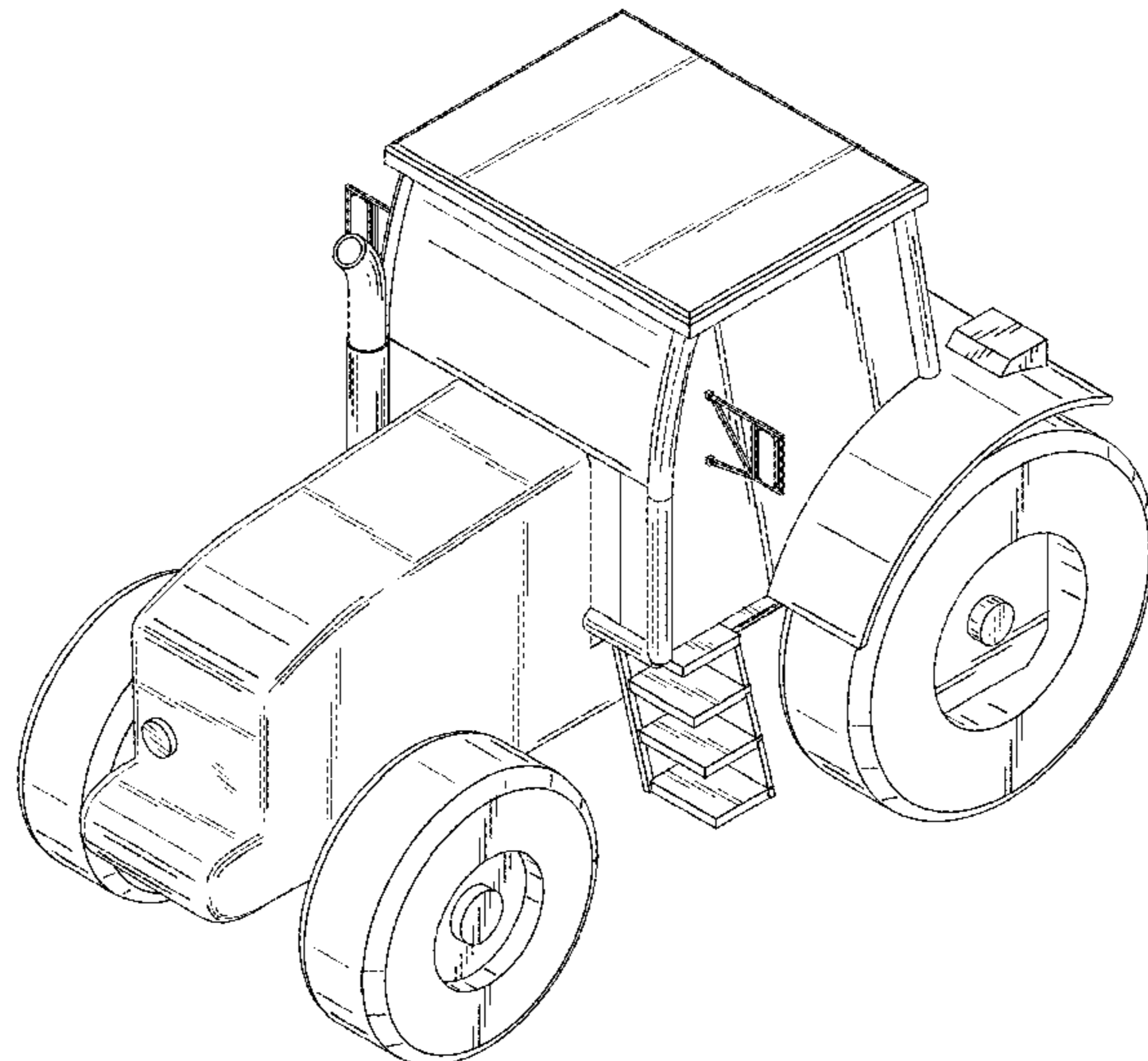
(57) **CLAIM**

The ornamental design for an oil diffuser, as shown and described.

DESCRIPTION

FIG. 1 is a perspective top front right view of an oil diffuser, showing my new design;
FIG. 2 is a perspective top rear left view thereof;
FIG. 3 is a front elevation view thereof;
FIG. 4 is a rear elevation view thereof;
FIG. 5 is a left elevation view thereof;
FIG. 6 is a right elevation view thereof;
FIG. 7 is a top plan view thereof; and,
FIG. 8 is a bottom plan view thereof.

1 Claim, 8 Drawing Sheets



(56)

References Cited

U.S. PATENT DOCUMENTS

2016/0243576 A1* 8/2016 Young B05B 17/0646
2017/0281821 A1* 10/2017 Davis, II B05B 17/0607

* cited by examiner

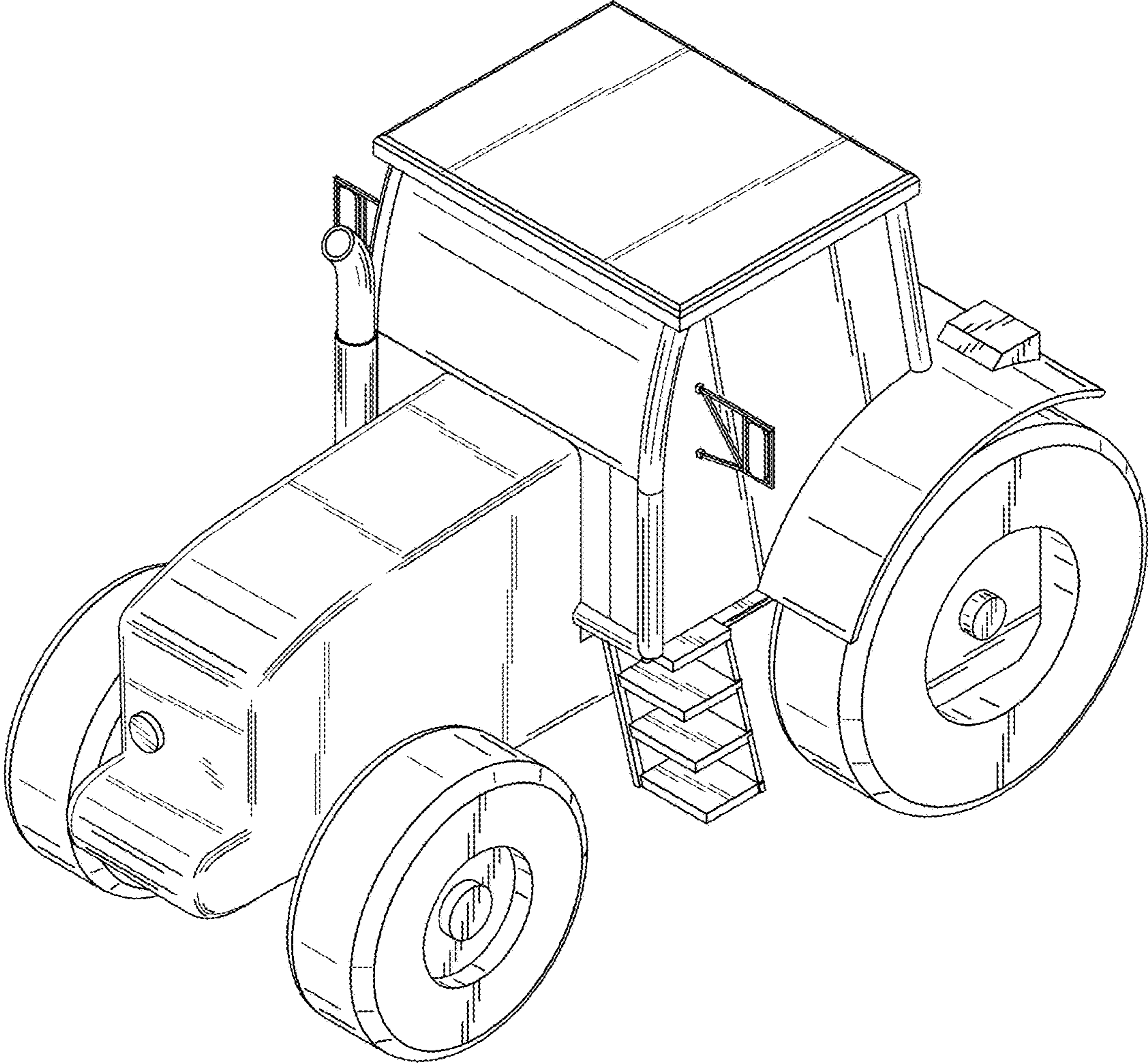


FIG. 1

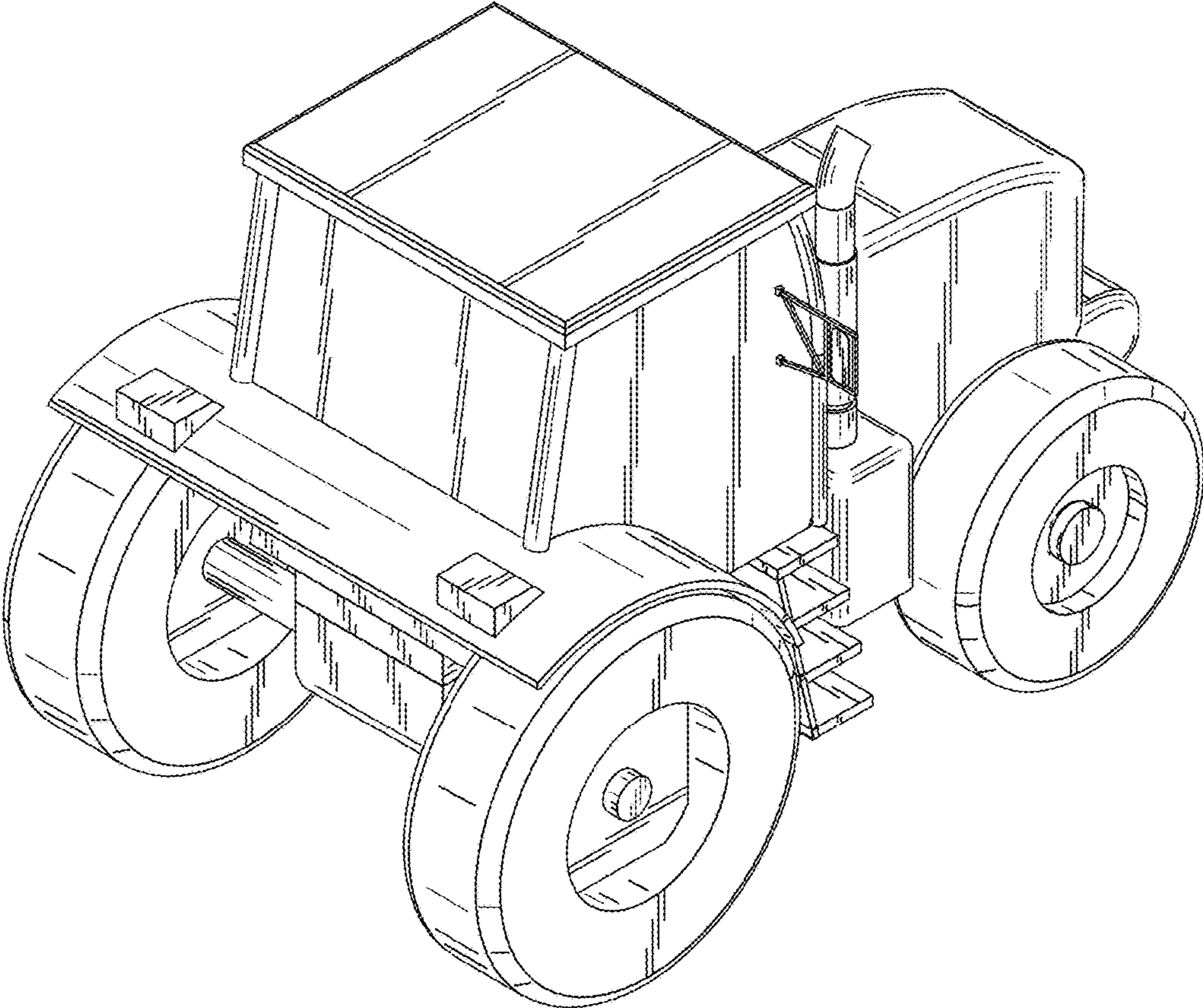


FIG. 2

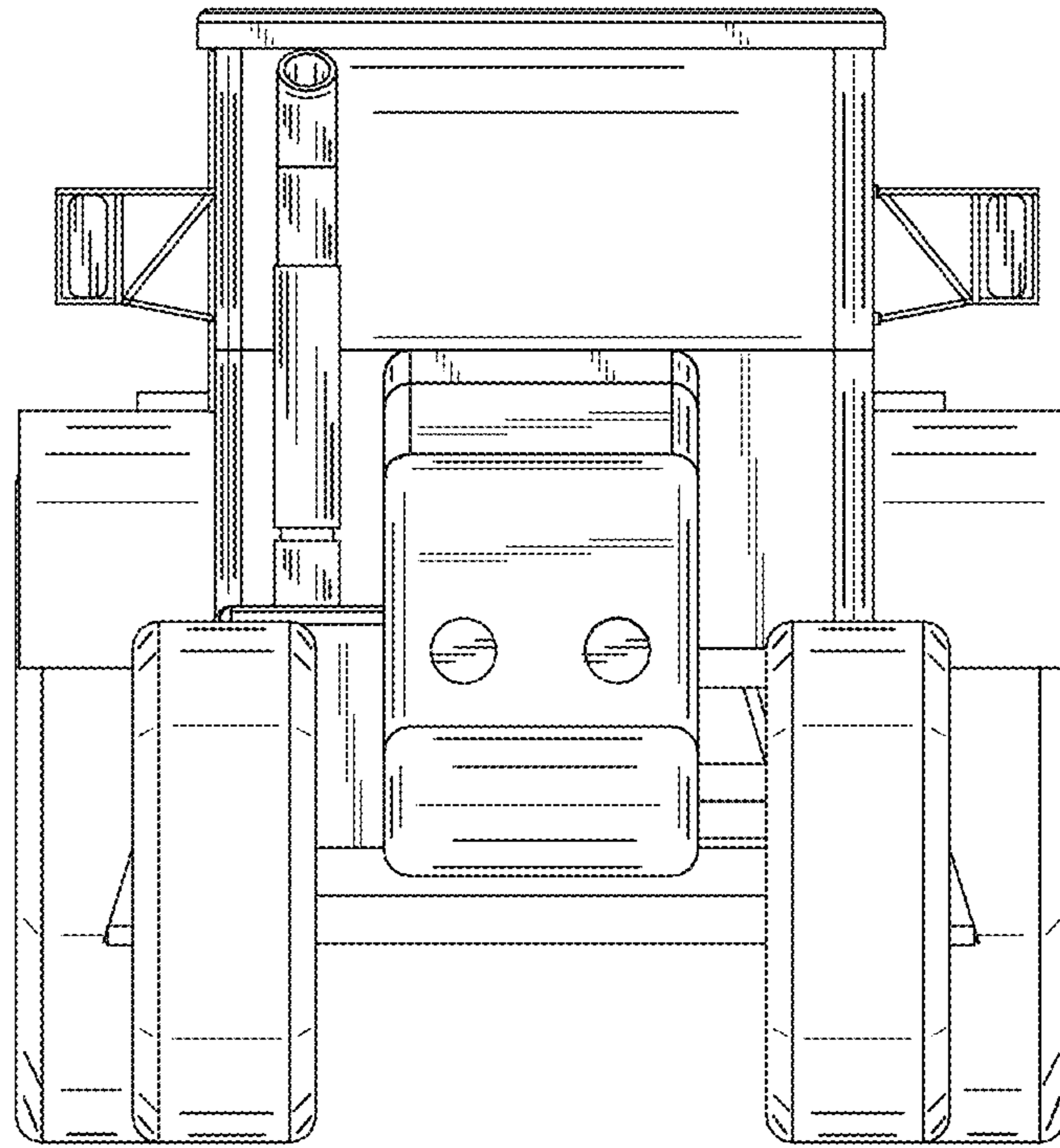


FIG. 3

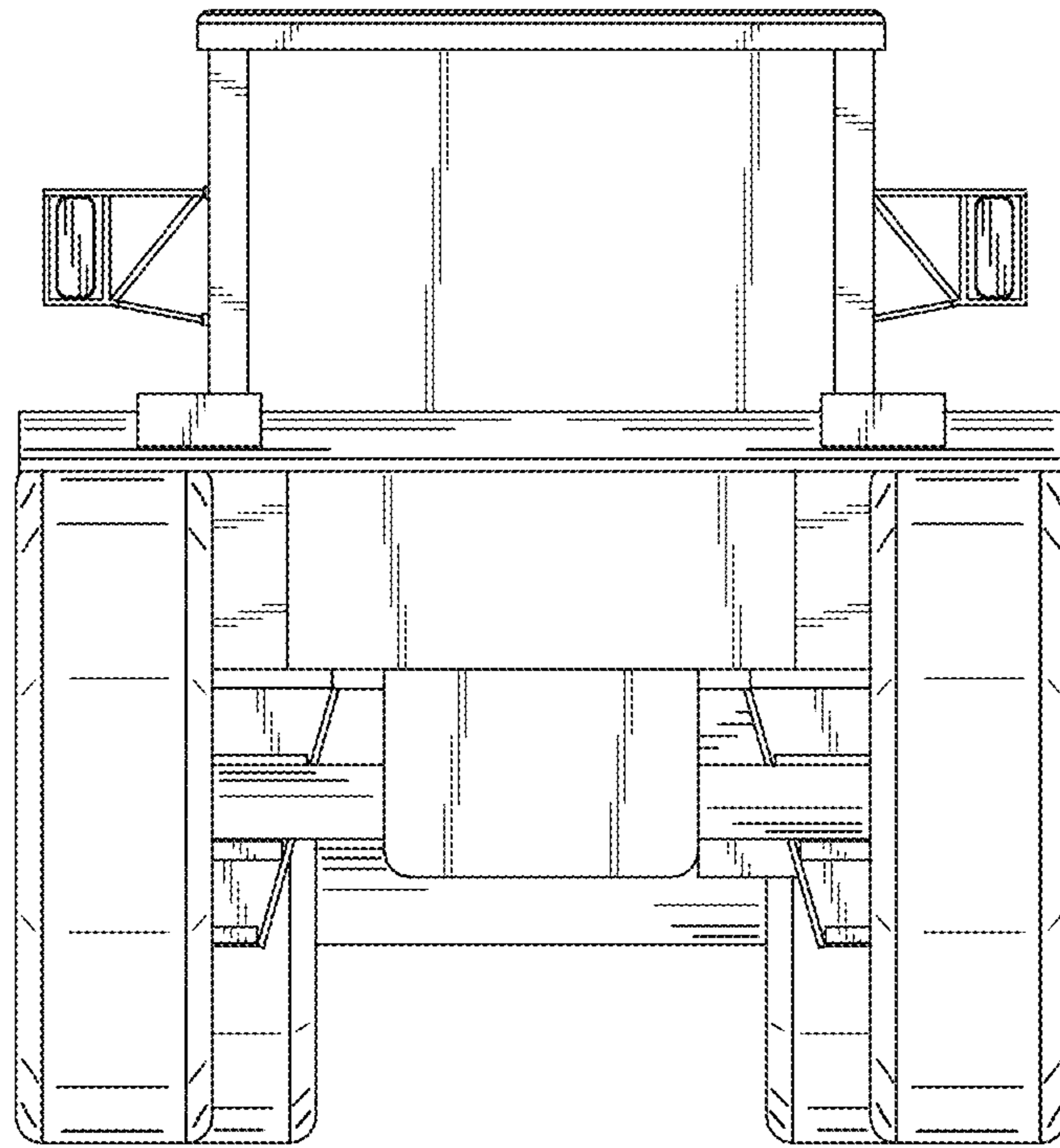


FIG. 4

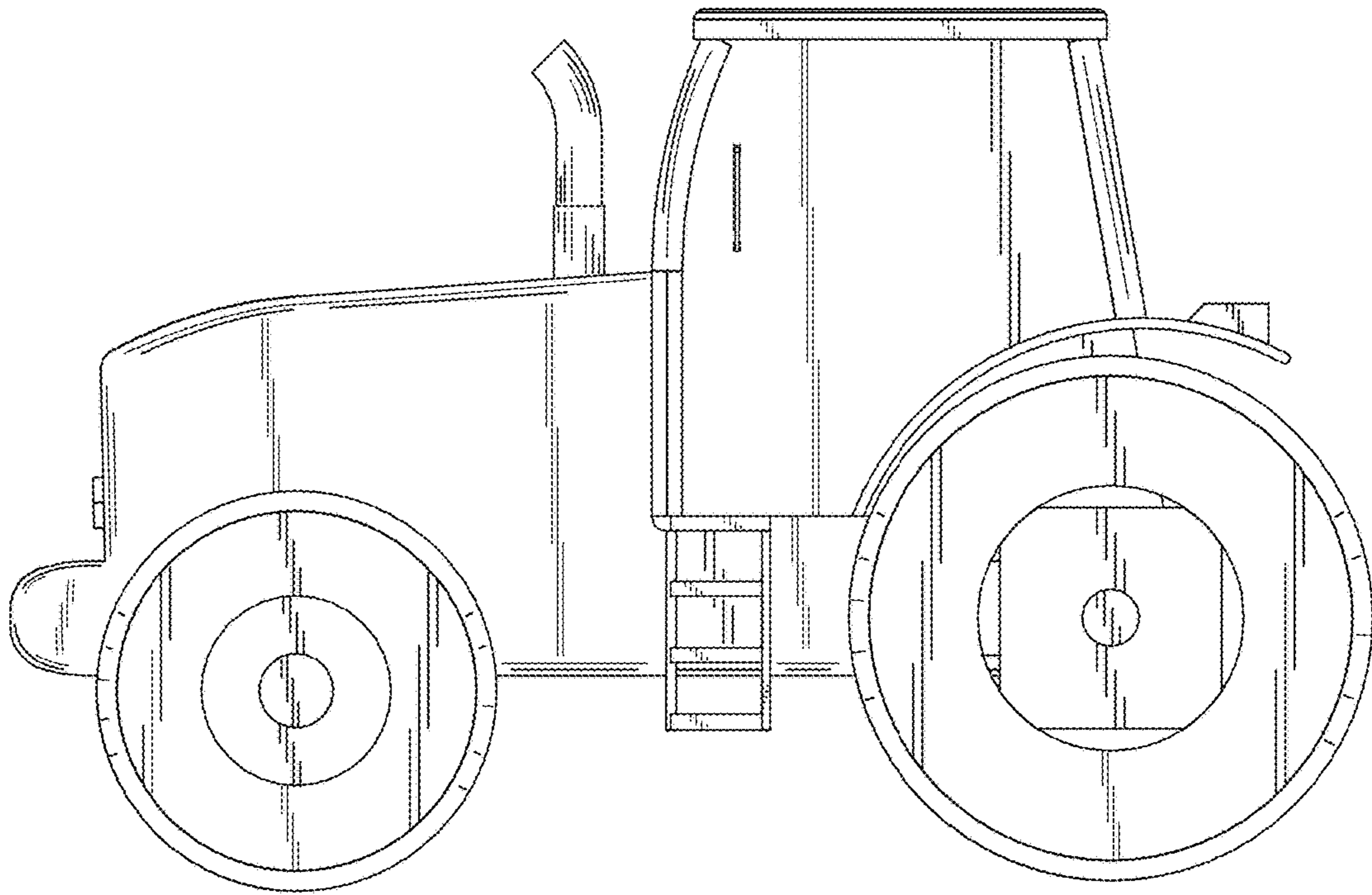


FIG. 5

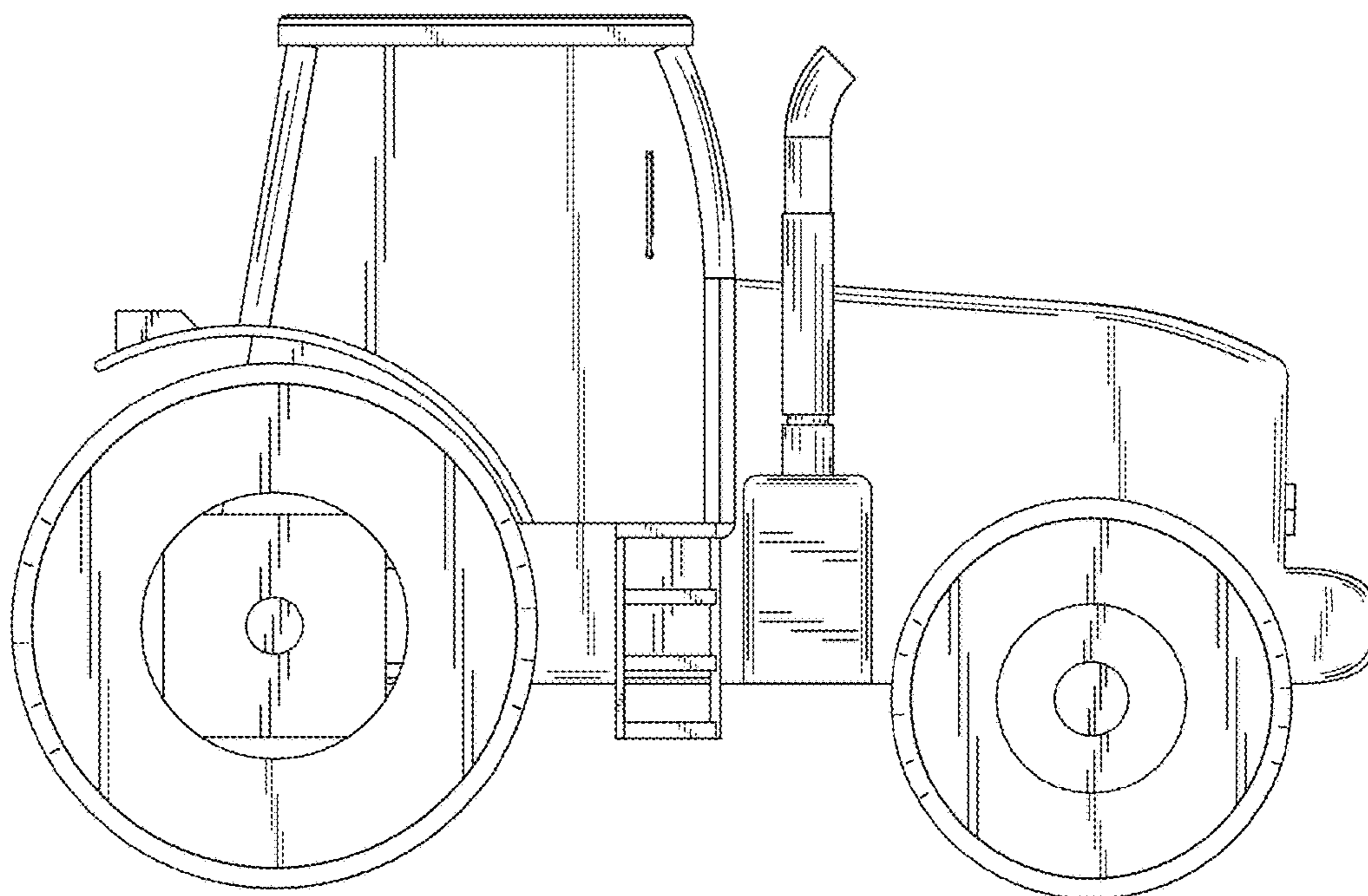


FIG. 6

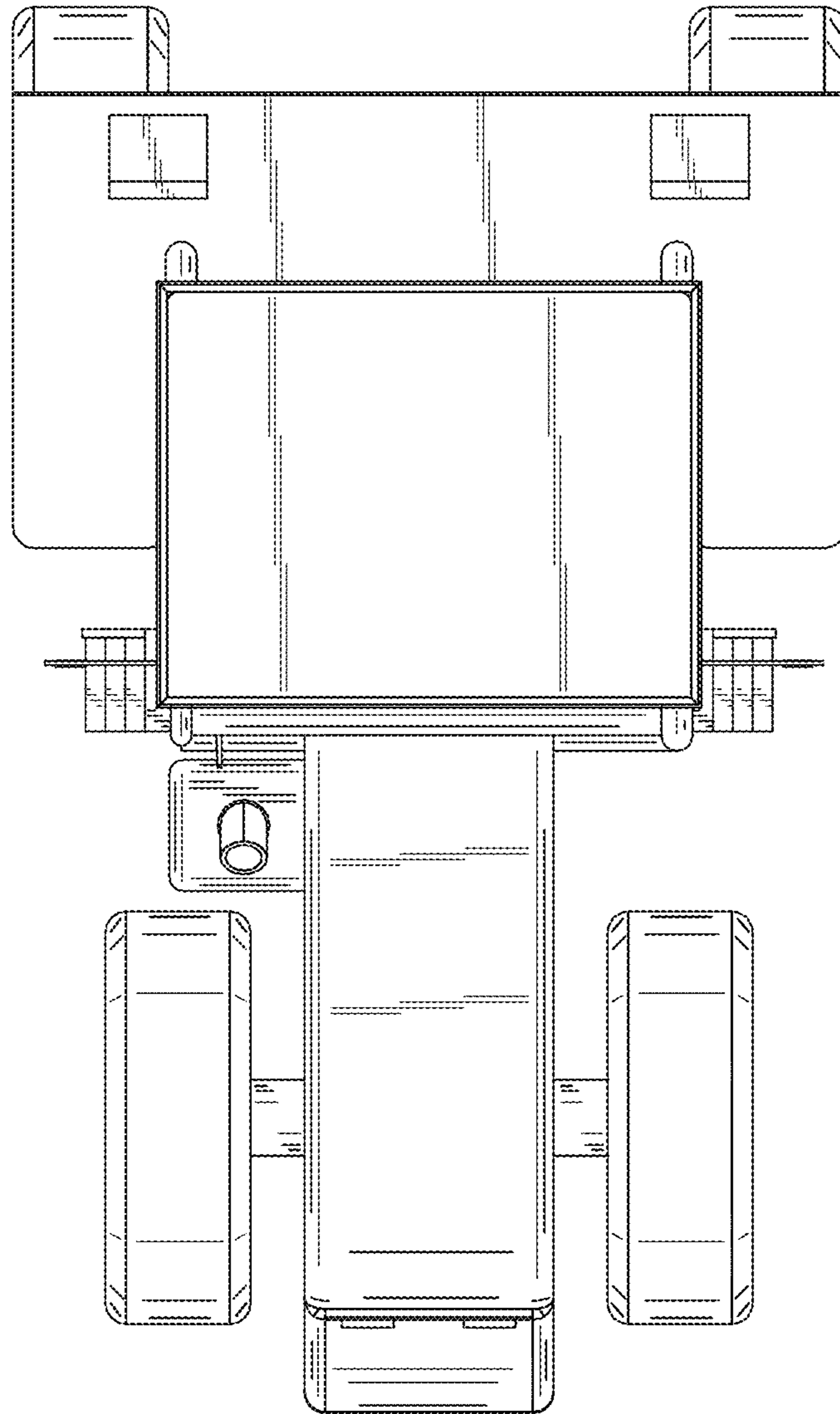


FIG. 7

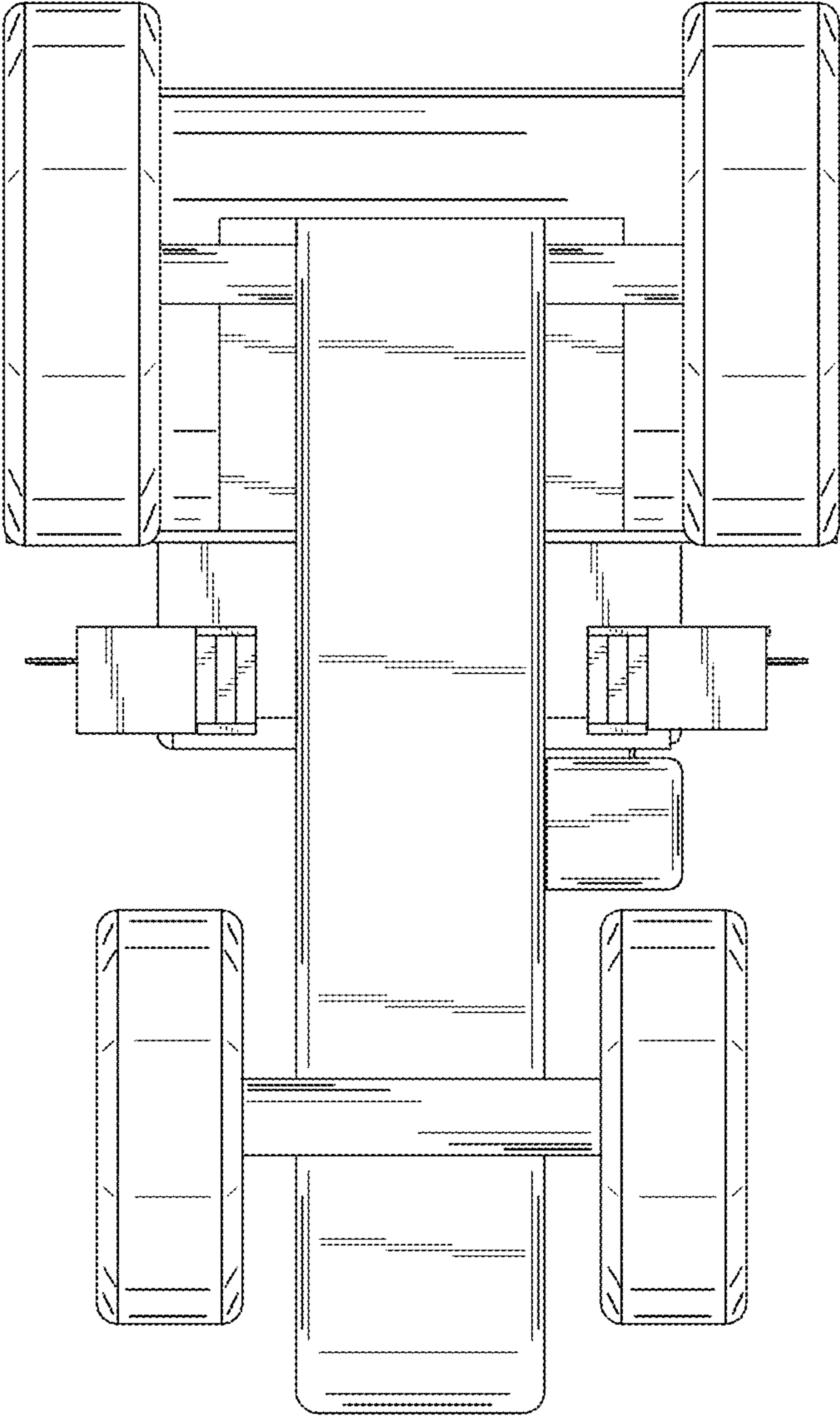


FIG. 8