



US00D854674S

(12) **United States Design Patent** (10) **Patent No.:** **US D854,674 S**
Wu (45) **Date of Patent:** **** Jul. 23, 2019**

(54) **AIR CLEANING MACHINE** 3,580,250 A * 5/1971 Oroza A62B 7/08
128/202.26

(71) Applicant: **BLUESEA CO., LTD.**, Taipei (TW) D263,496 S * 3/1982 Kimball D12/194
D295,674 S * 5/1988 Ogasawara D23/365

(72) Inventor: **Jian-Ming Wu**, Taipei (TW) D393,705 S * 4/1998 Dure D23/365
5,741,341 A * 4/1998 Stanek B01D 46/001
55/356

(73) Assignee: **BLUESEA CO., LTD.**, Taipei (TW) 6,136,055 A * 10/2000 Stanek B01D 46/001
55/357

(**) Term: **15 Years** D587,360 S * 2/2009 Sakairi D23/365
D587,361 S * 2/2009 Sakairi D23/365

(21) Appl. No.: **29/633,464** D735,311 S * 7/2015 Horiguchi D23/365
D735,312 S * 7/2015 Horiguchi D23/365

(22) Filed: **Jan. 14, 2018** 2018/0214811 A1* 8/2018 Wu B01D 46/0047

(51) **LOC (11) Cl.** **23-04** * cited by examiner

(52) **U.S. Cl.**
USPC **D23/365**

(58) **Field of Classification Search**
USPC D23/355–366, 352, 369, 332, 333, 335,
D23/336, 342, 351; 422/120, 122;
55/356, 473, 504; 96/97; D14/188, 170,
D14/172; 261/DIG. 17, DIG. 65,
261/DIG. 88, DIG. 31; D18/34.6
CPC .. A61L 9/16; A61L 9/22; B01D 47/00; B01D
47/027; B01D 2221/02; B01D 2259/4508;
B01D 46/46; B01D 53/0423; B01D
46/0047; B01D 46/442; B03C 3/155;
B03C 3/368; F24F 3/16; F24F 13/20;
F24F 13/28; F24F 3/1405; F24F 3/1603;
F24F 13/222
See application file for complete search history.

(56) **References Cited**
U.S. PATENT DOCUMENTS
2,552,470 A * 5/1951 Wahlberg F24H 3/0417
392/368
D164,613 S * 9/1951 Wahlberg D23/336

Primary Examiner — David G Muller
Assistant Examiner — Nathan M Johnston
(74) *Attorney, Agent, or Firm* — Cheng-Ju Chiang

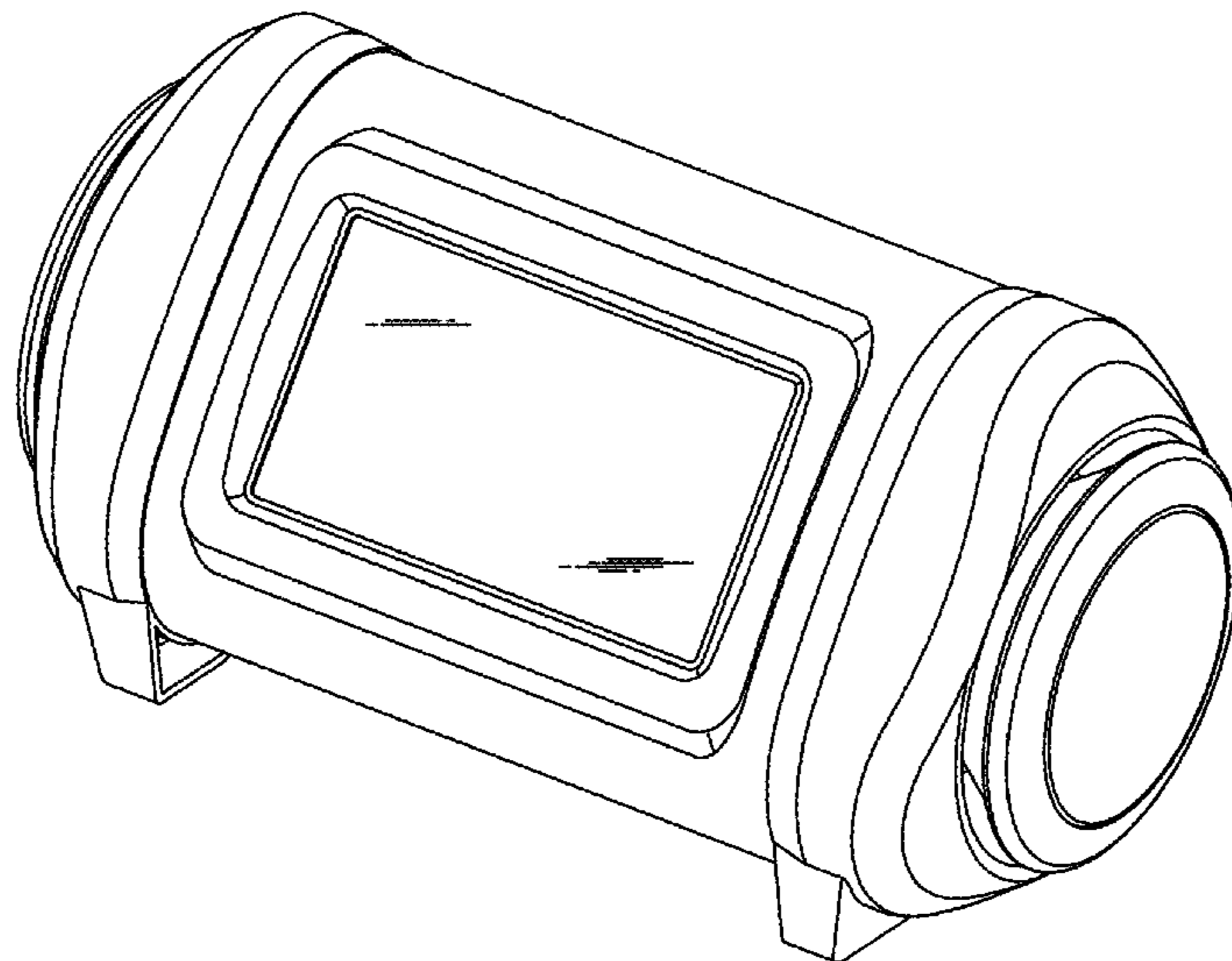
(57) **CLAIM**

The ornamental design for an air cleaning machine, as shown and described.

DESCRIPTION

FIG. 1 is a perspective view of an air cleaning machine showing my new design.
FIG. 2 is a front elevational view thereof;
FIG. 3 is a rear elevational view thereof;
FIG. 4 is a left side elevational view thereof;
FIG. 5 is a right side elevational view thereof;
FIG. 6 is a top plan view thereof; and,
FIG. 7 is a bottom plan view thereof.
The broken lines in the drawings depict portions of the “air cleaning machine” that form no part of the claimed design.

1 Claim, 4 Drawing Sheets



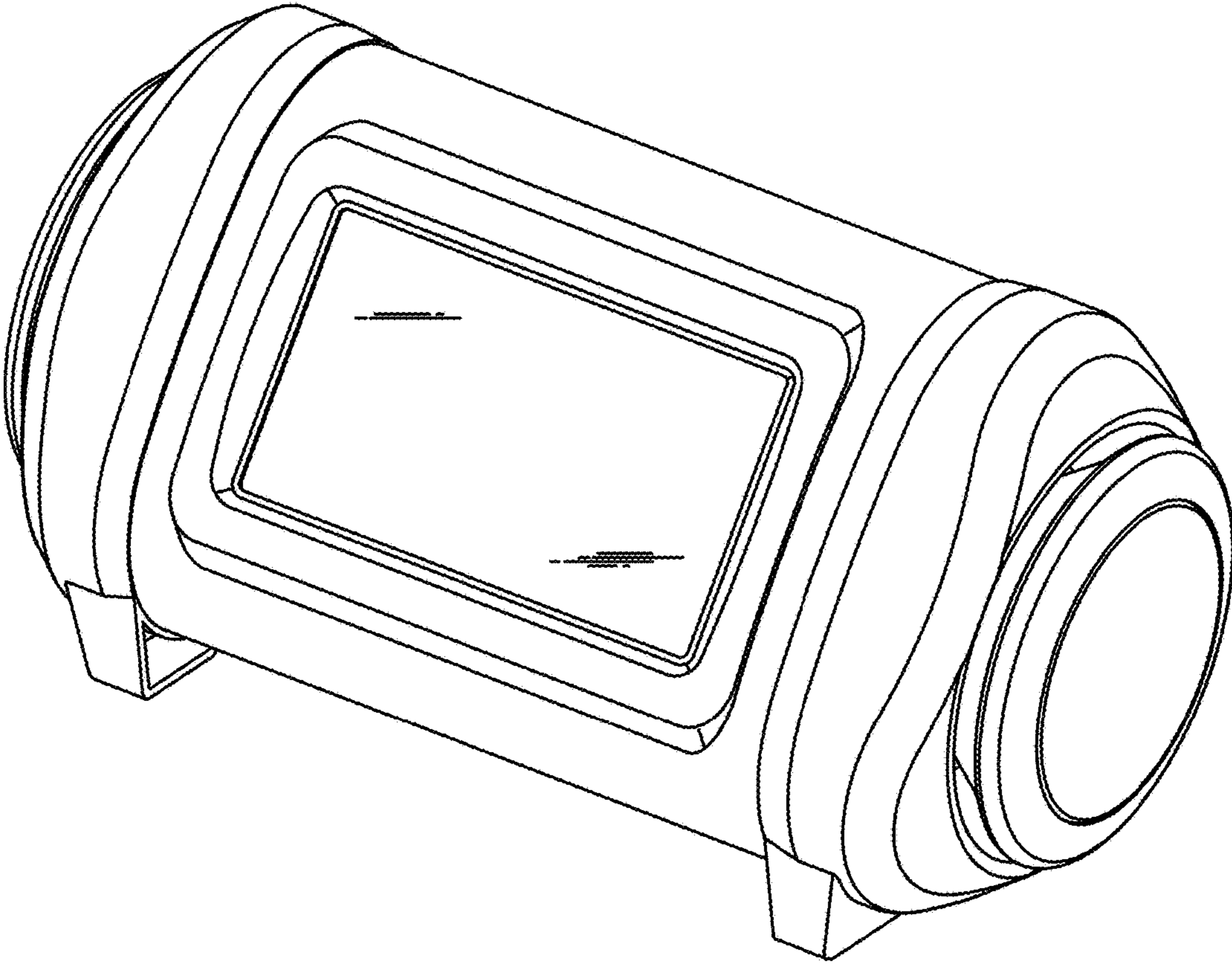


Fig.1

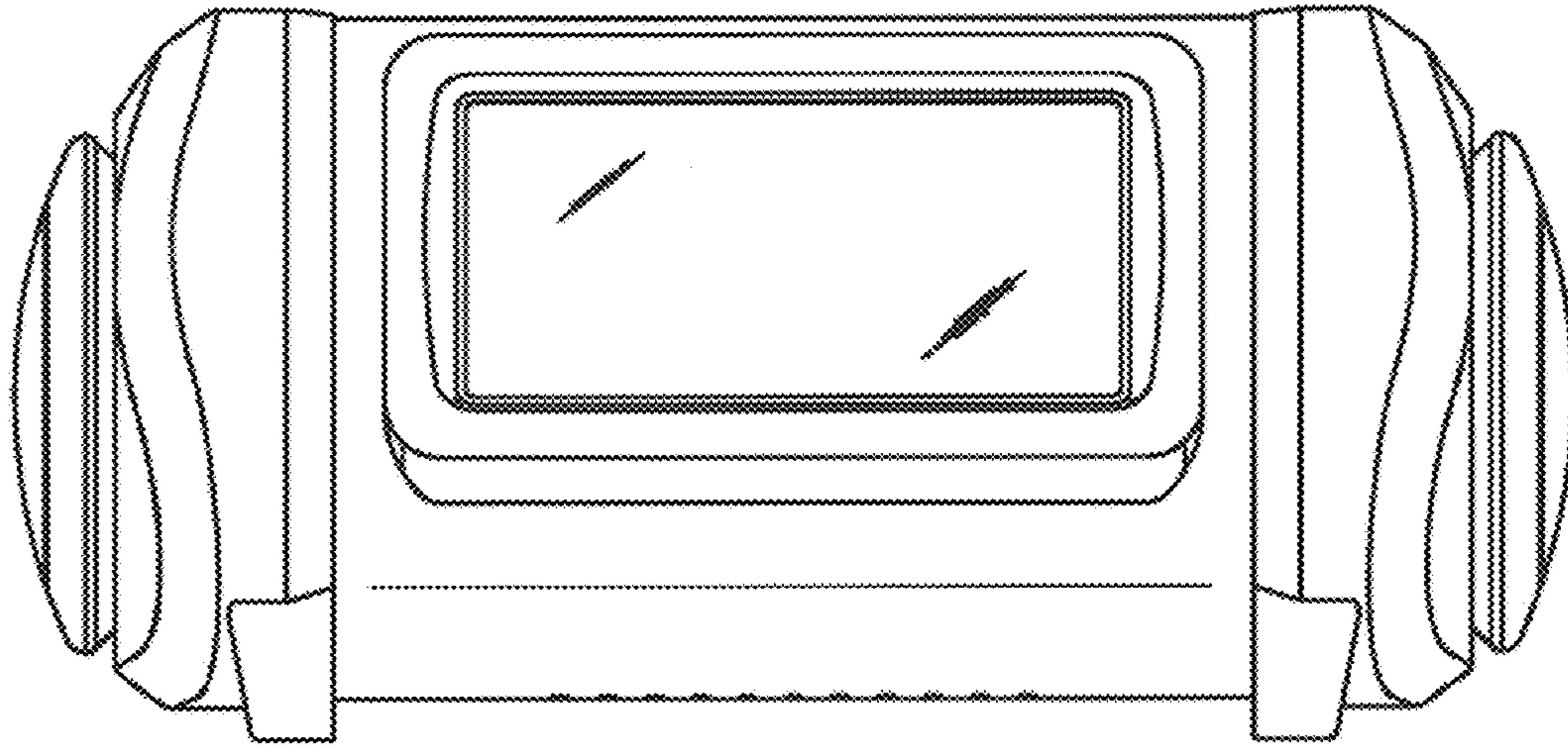


Fig.2

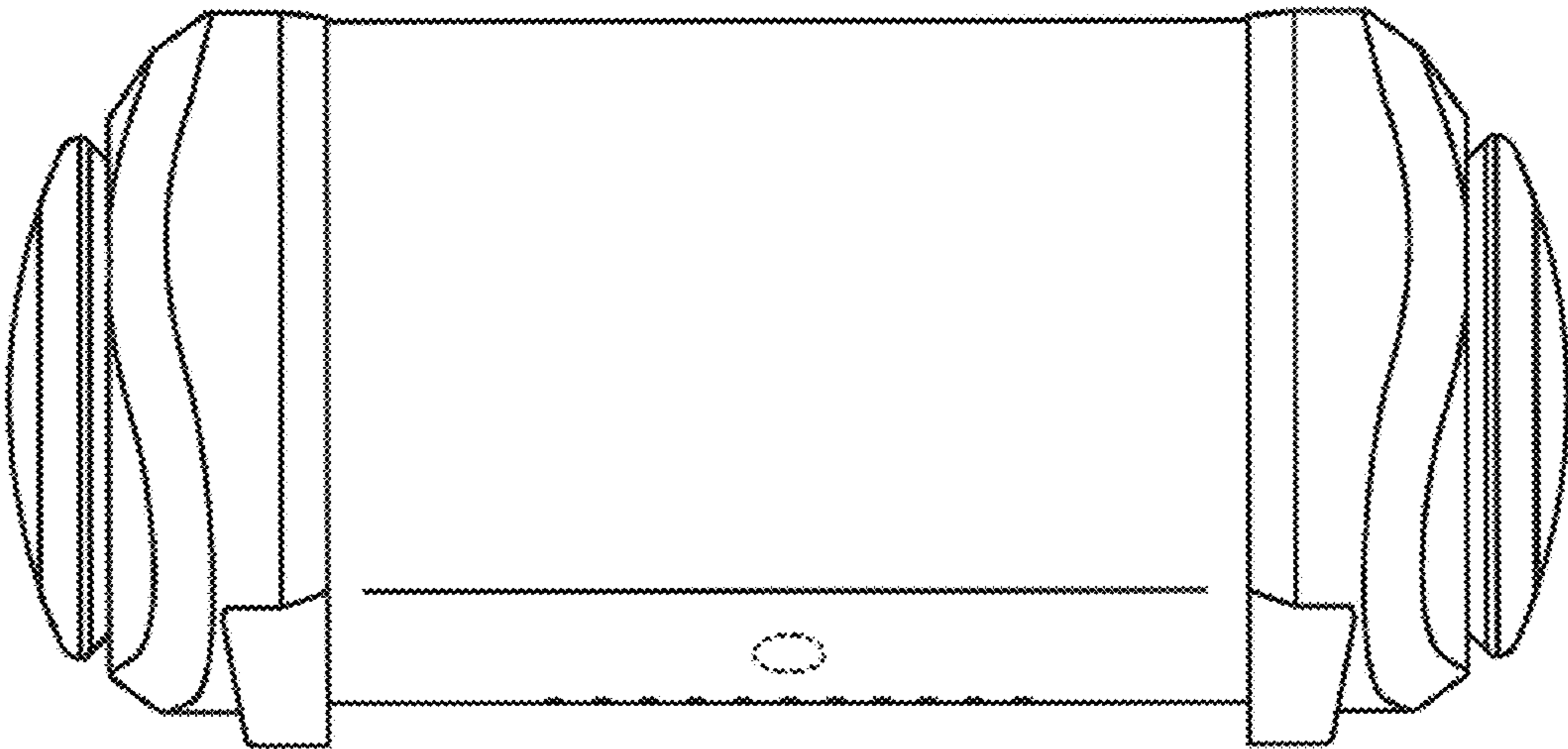


Fig.3

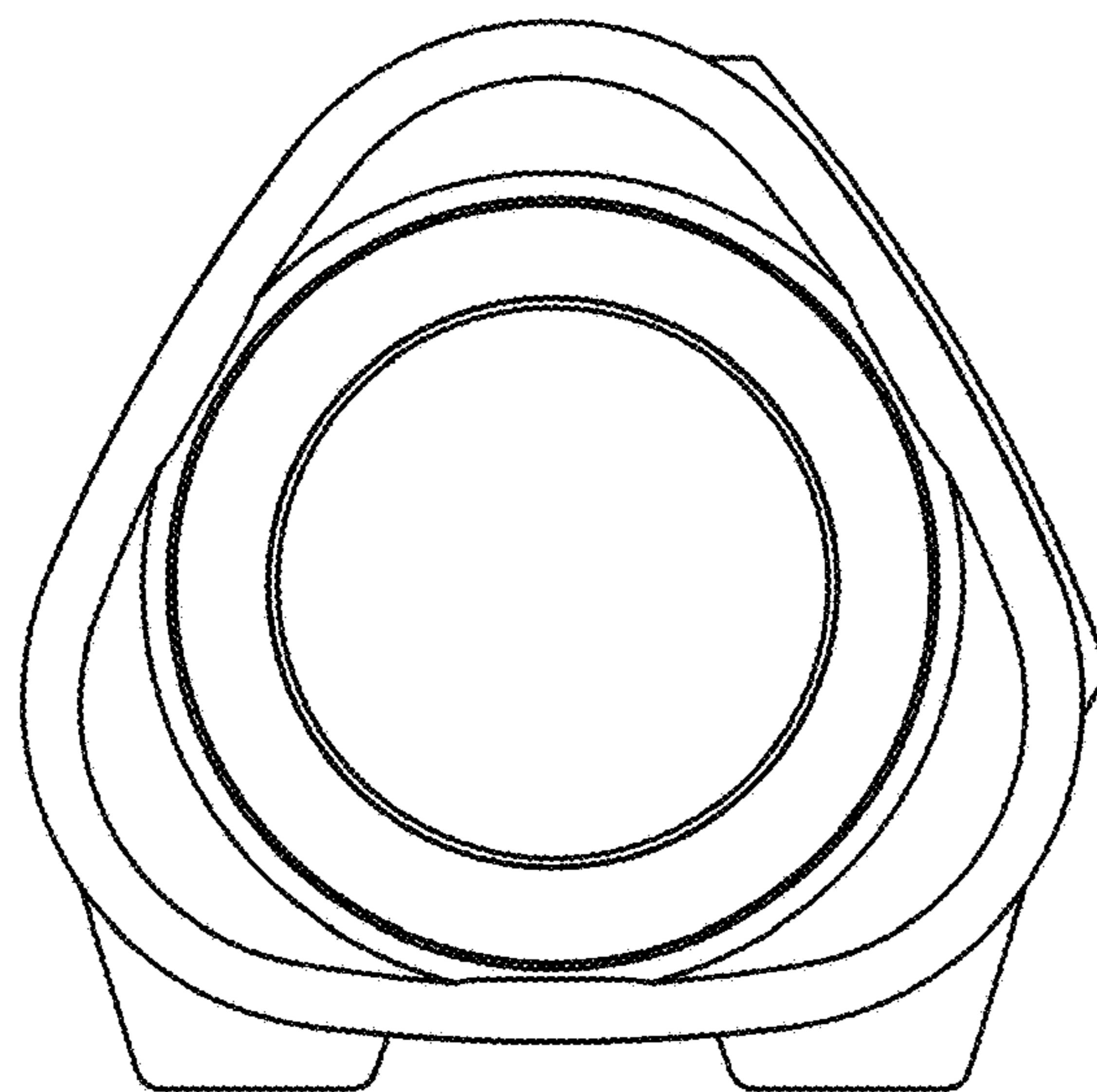


Fig.4

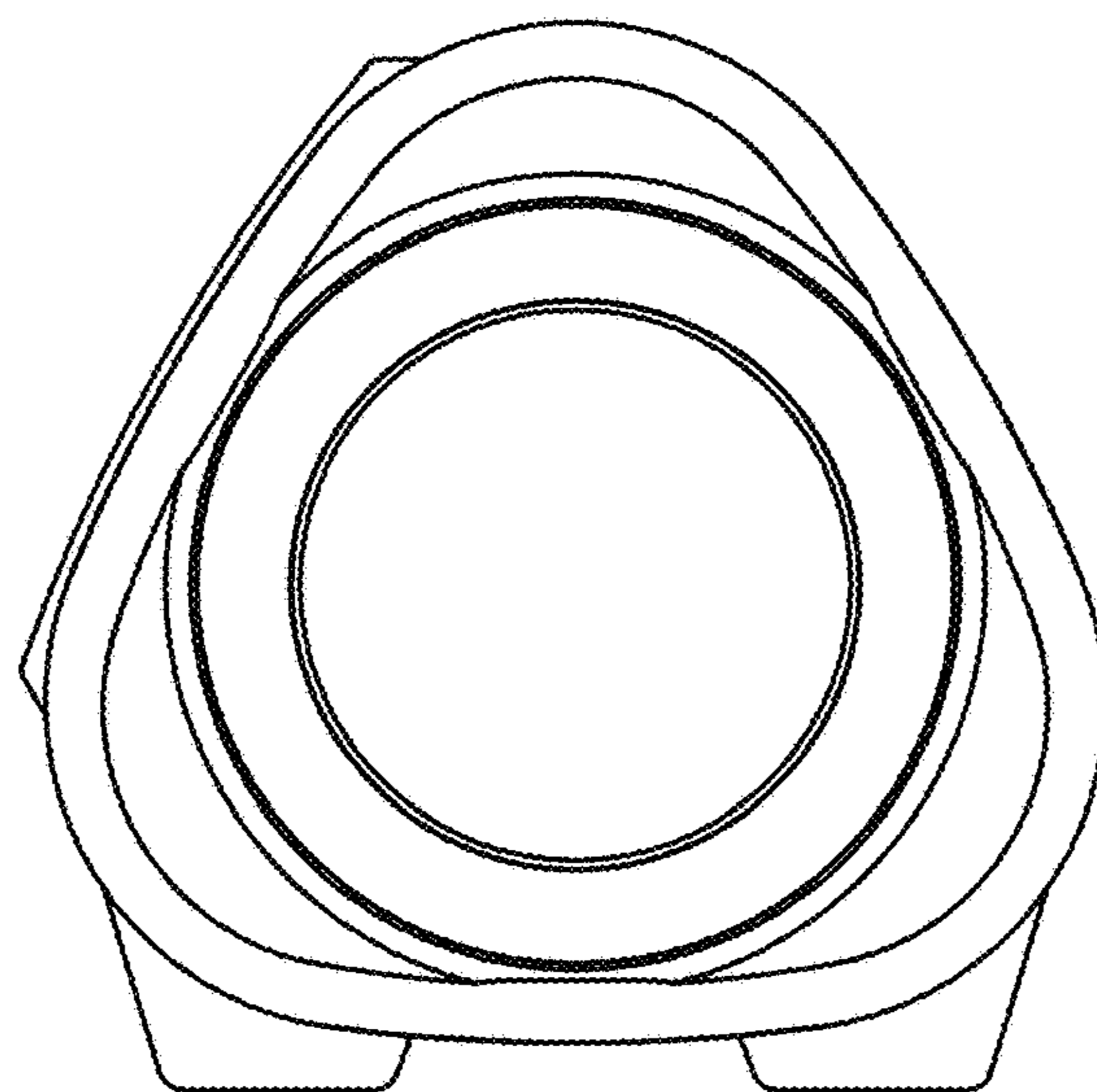


Fig.5

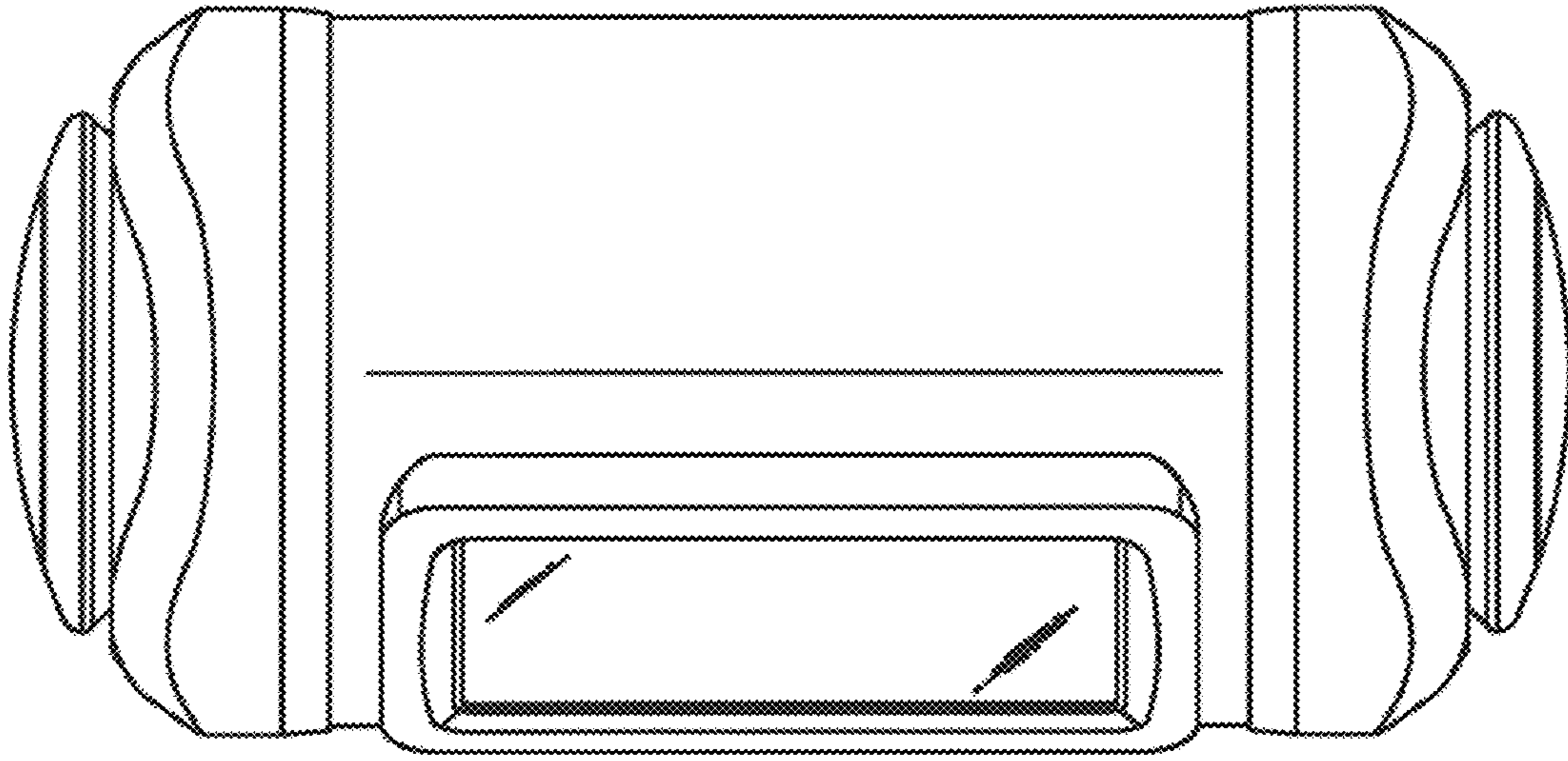


Fig.6

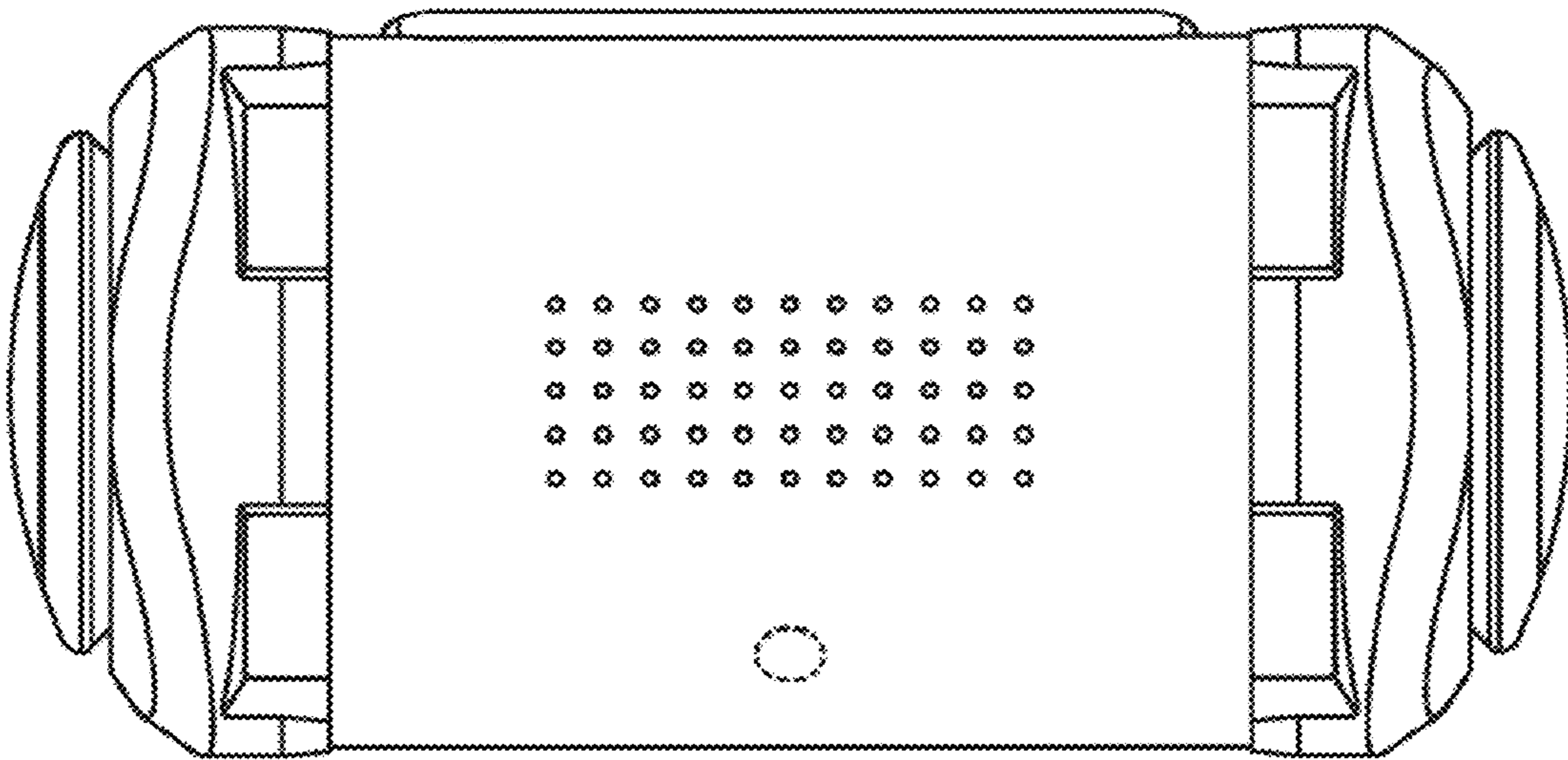


FIG. 7