



US00D854673S

(12) **United States Design Patent**
Kice et al.

(10) **Patent No.:** **US D854,673 S**
(45) **Date of Patent:** **** Jul. 23, 2019**

- (54) **AIR FILTER HOUSING**
- (71) Applicant: **Kice Industries, Inc.**, Wichita, KS (US)
- (72) Inventors: **Andrew T. Kice**, Wichita, KS (US);
Jeffrey W. Schellenger, Douglass, KS (US)
- (73) Assignee: **Kice Industries, Inc.**, Wichita, KS (US)
- (**) Term: **15 Years**
- (21) Appl. No.: **29/631,133**
- (22) Filed: **Dec. 27, 2017**
- (51) **LOC (11) Cl.** **23-04**
- (52) **U.S. Cl.**
USPC **D23/365**
- (58) **Field of Classification Search**
USPC D23/209, 235, 341, 358, 363–365;
D15/5; D32/21–25, 31, 32; D24/144,
D24/232–234
CPC F02M 35/04; F02M 35/10; F02M 35/024;
B01D 46/0002; B01D 46/10; B01D
46/0004; B01D 46/0041; F25D 23/12
See application file for complete search history.

D731,632 S *	6/2015	Kulp	D23/359
D748,235 S *	1/2016	Yamashita	D23/364
D773,027 S *	11/2016	Hu	D23/365
D817,468 S *	5/2018	Ruhland	D23/365
2014/0260996 A1 *	9/2014	Grider	B01D 46/0004 96/402

OTHER PUBLICATIONS

Kice Compact Filter found online [Sep. 12, 2018]—<https://www.kice.com/blog-of-kice/new-kice-compact-filter/>.*

* cited by examiner

Primary Examiner — Brandon M Rosati
Assistant Examiner — John A Voytek
(74) *Attorney, Agent, or Firm* — Husch Blackwell LLP

(57) **CLAIM**

The ornamental design for an air filter housing, as shown and described.

DESCRIPTION

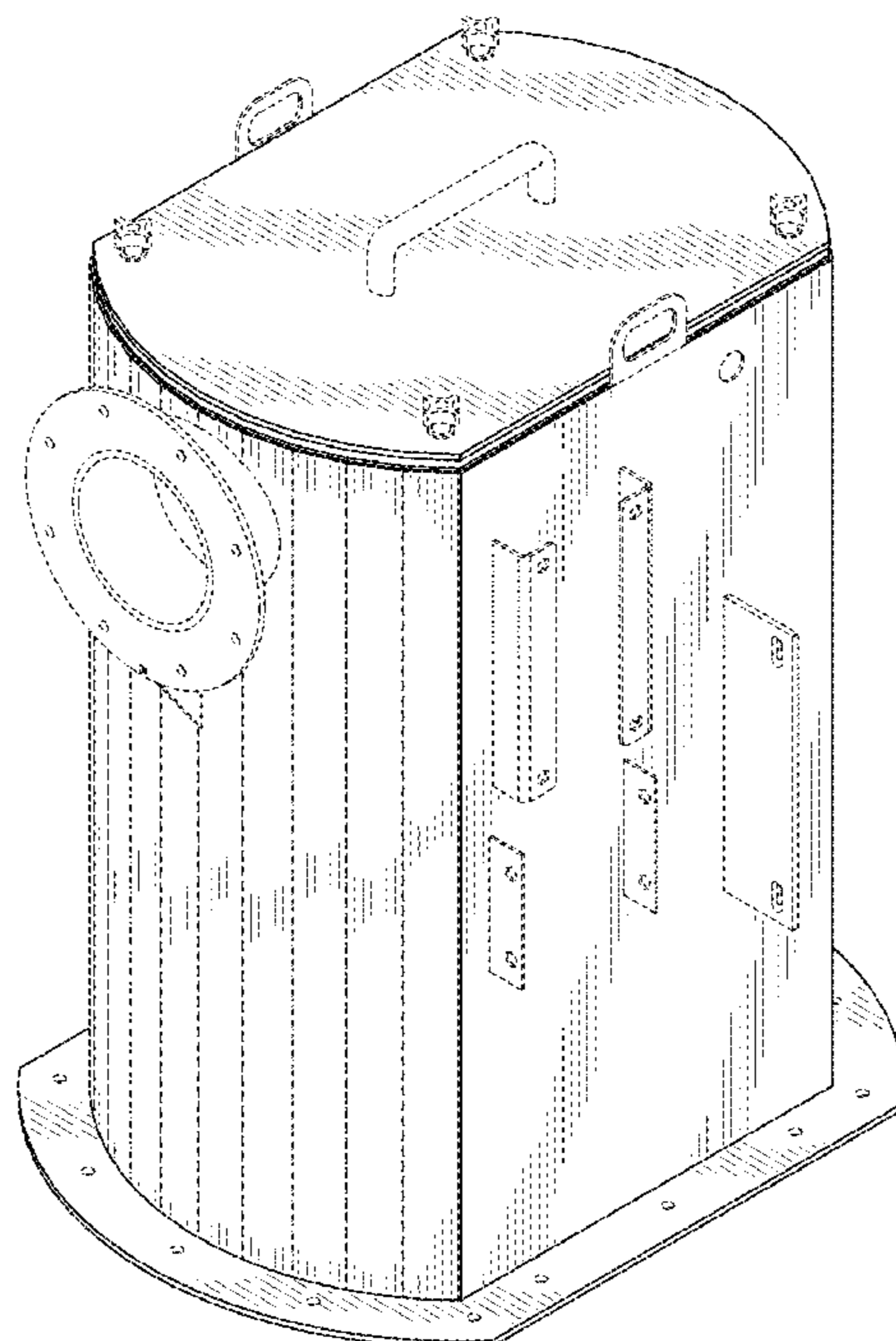
FIG. 1 is a perspective view of an air filter housing showing the new design;
FIG. 2 is a front view of the air filter housing of FIG. 1;
FIG. 3 is a rear view of the air filter housing of FIG. 1;
FIG. 4 is a top view of the air filter housing of FIG. 1;
FIG. 5 is a bottom view of the air filter housing of FIG. 1;
FIG. 6 is a left side view of the air filter housing of FIG. 1;
and,
FIG. 7 is a right side view of the air filter housing of FIG. 1.
The broken lines in the figures illustrate unclaimed environment and form no part of the claimed design.

(56) **References Cited**

U.S. PATENT DOCUMENTS

D311,270 S *	10/1990	Savage	D23/365
D393,705 S *	4/1998	Dure	D23/365
D424,676 S *	5/2000	Hoshino	D23/365
D480,127 S *	9/2003	Cox	D23/365
D515,190 S *	2/2006	Bartholmey	D23/365
D650,473 S *	12/2011	Petersen	D23/364

1 Claim, 6 Drawing Sheets



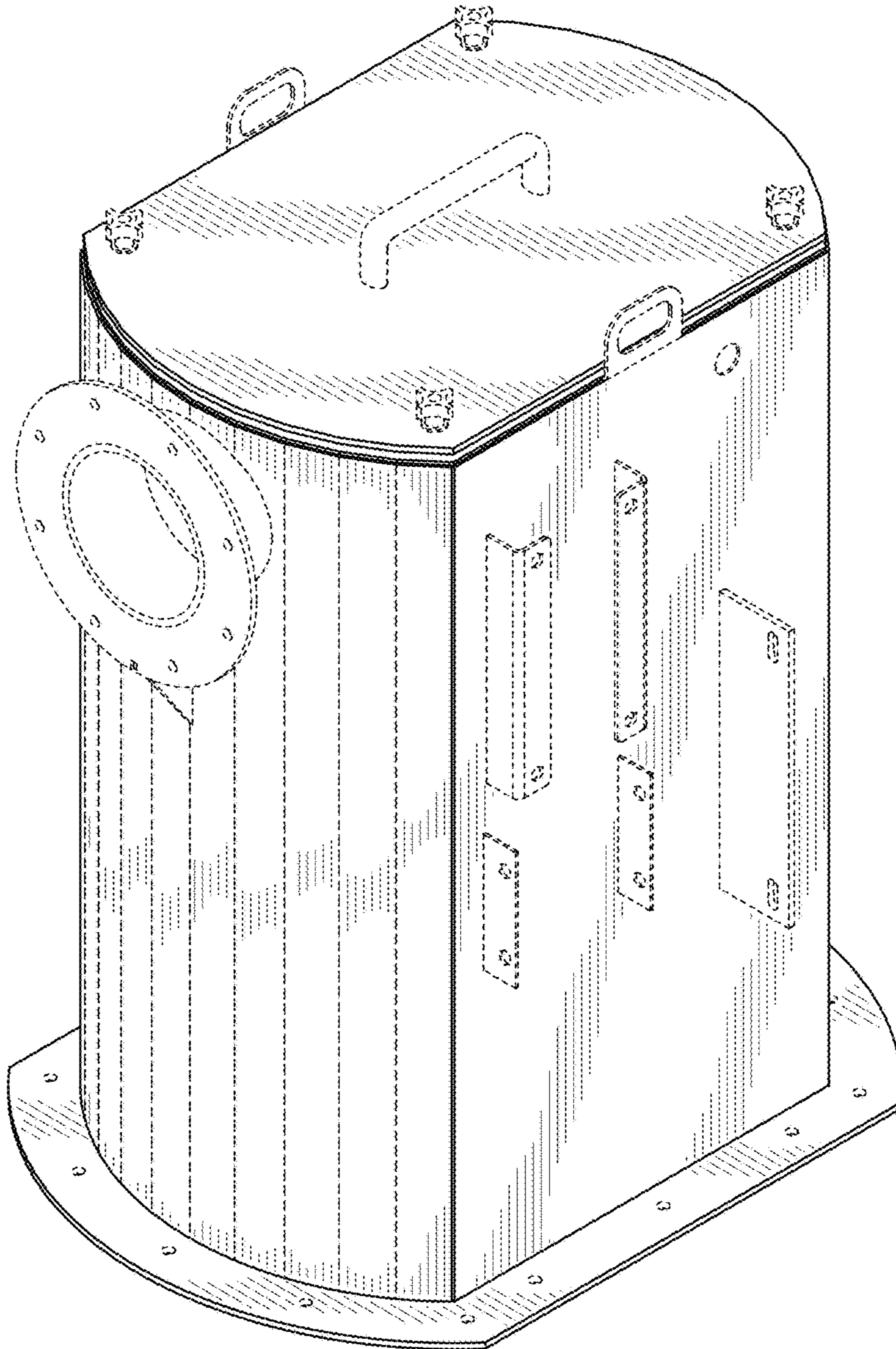


FIG. 1

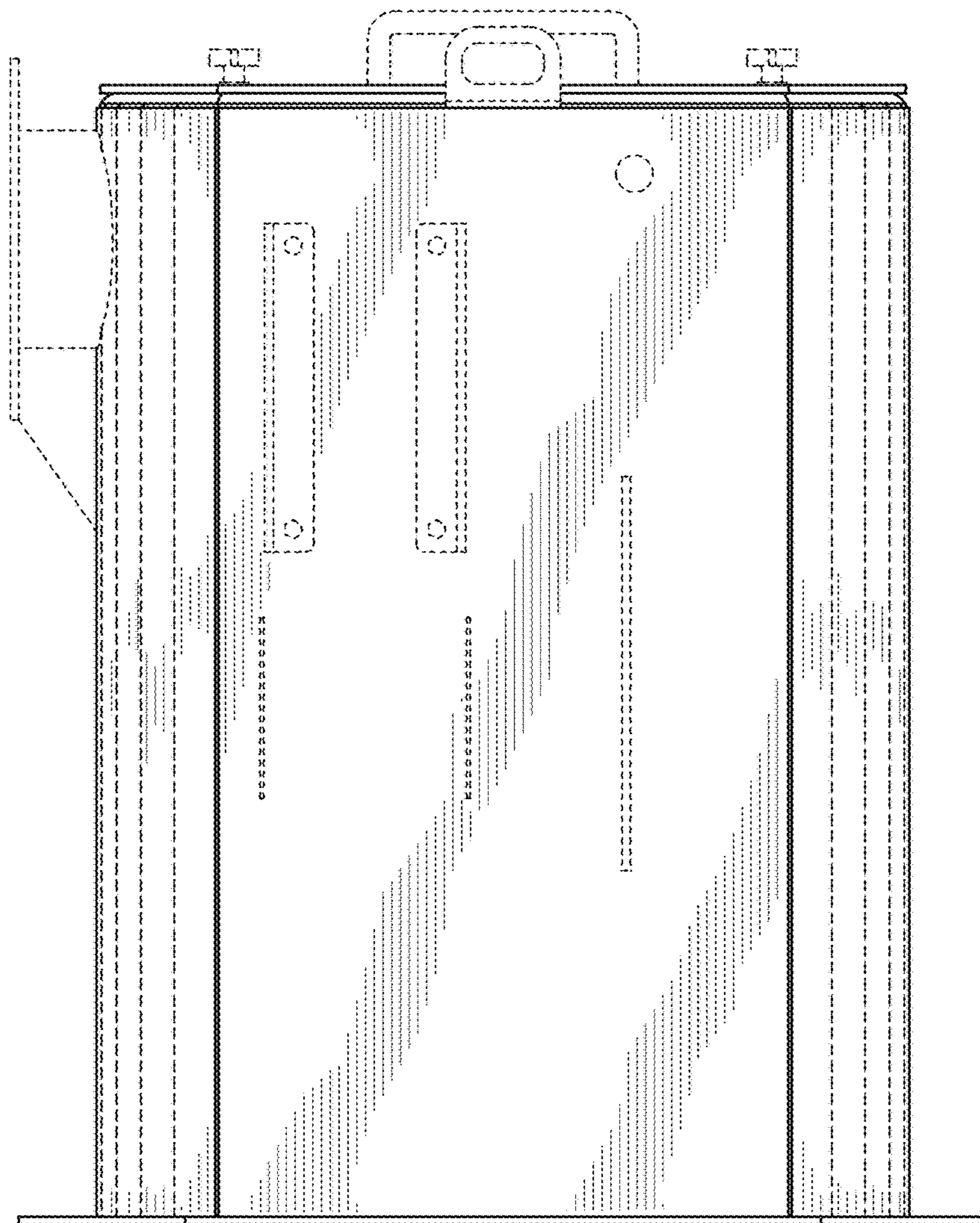


FIG. 2

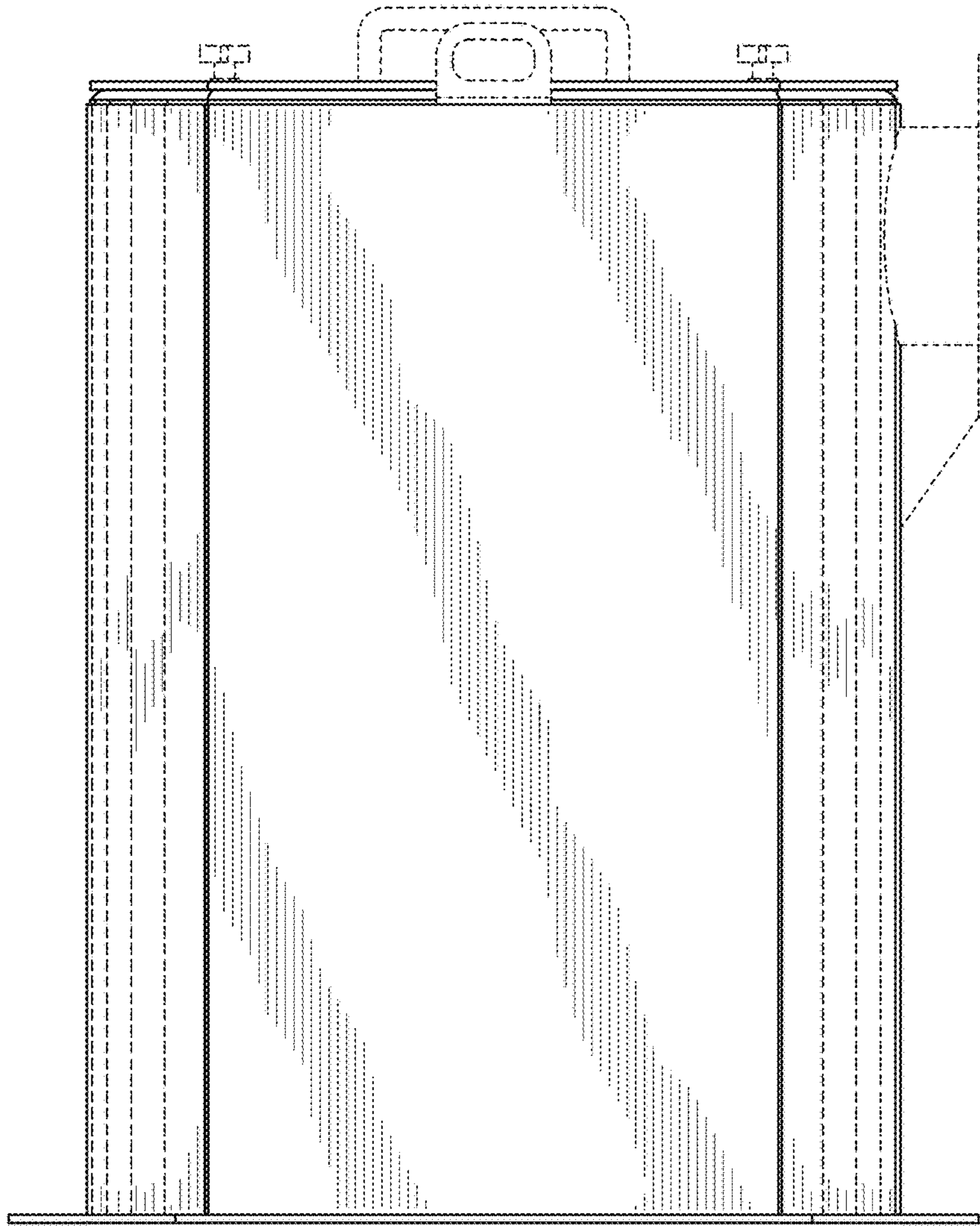


FIG. 3

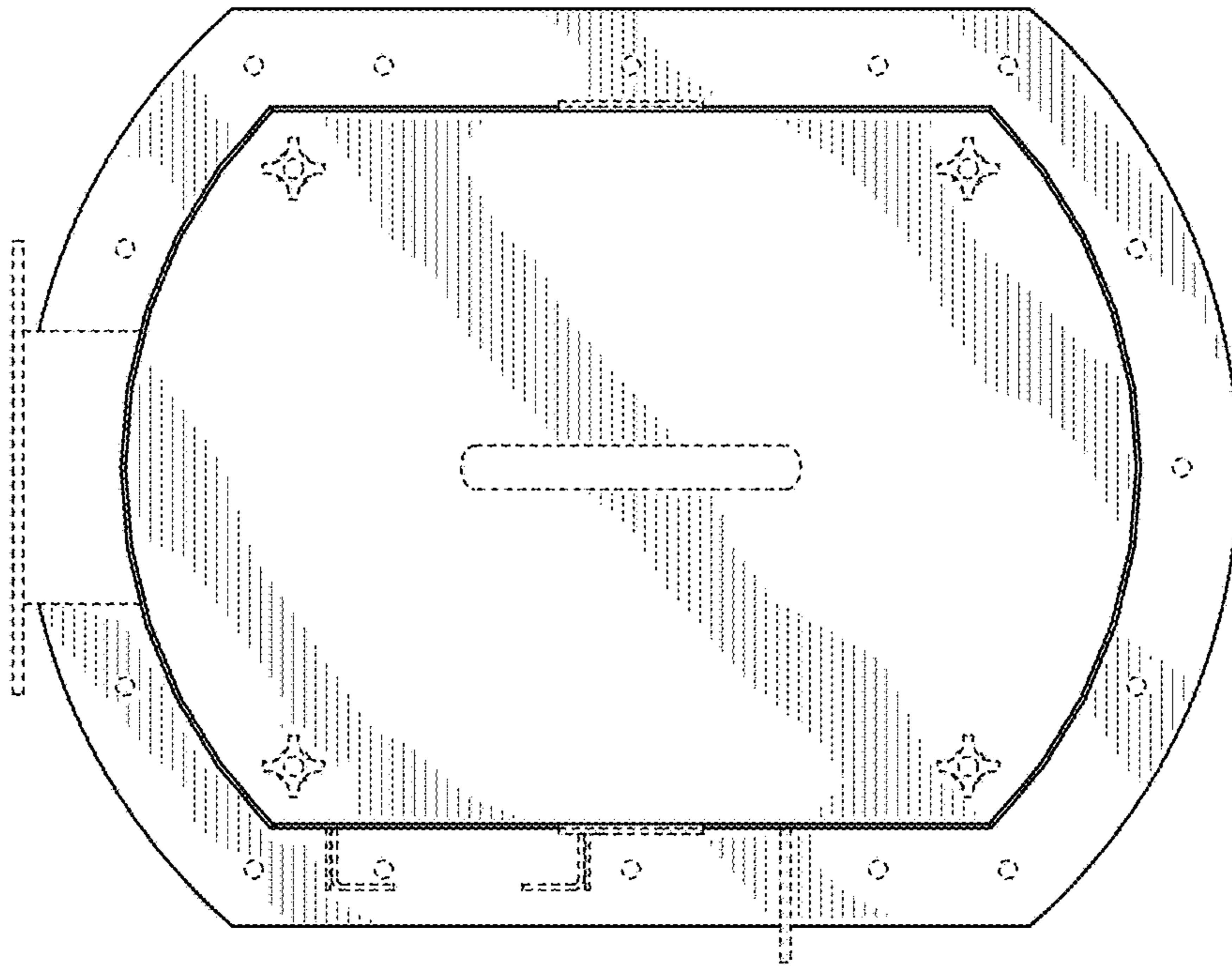


FIG. 4

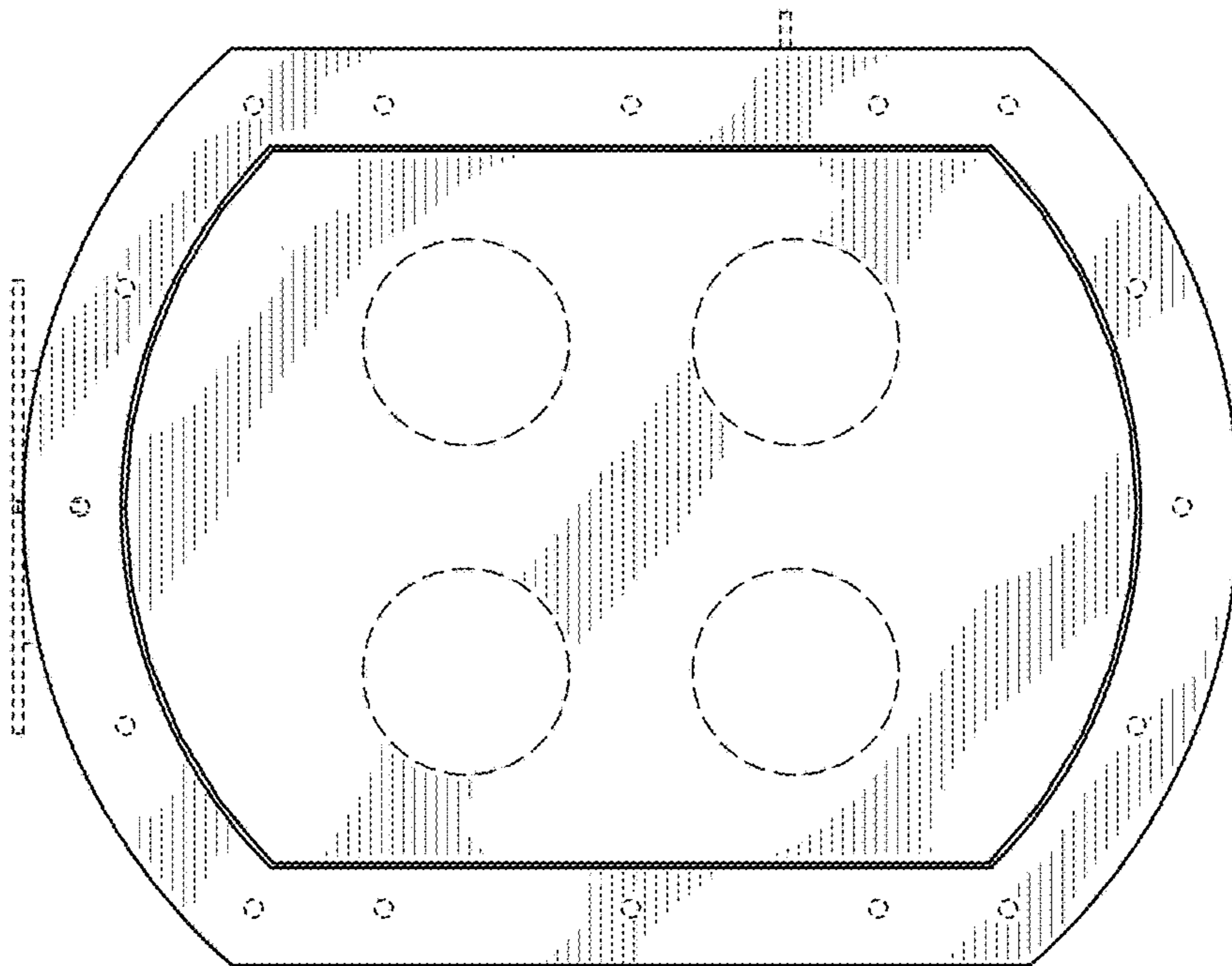


FIG. 5

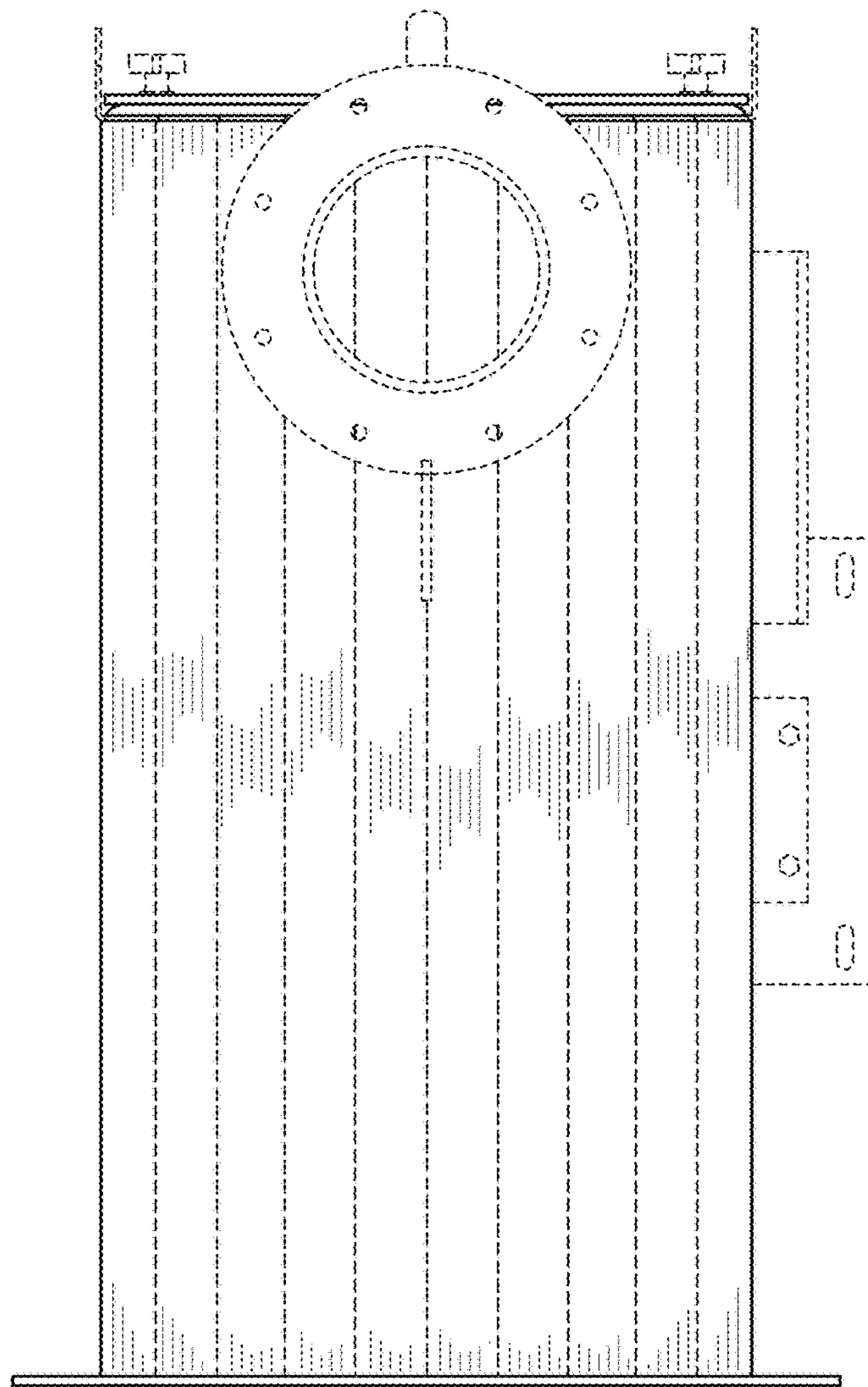


FIG. 6

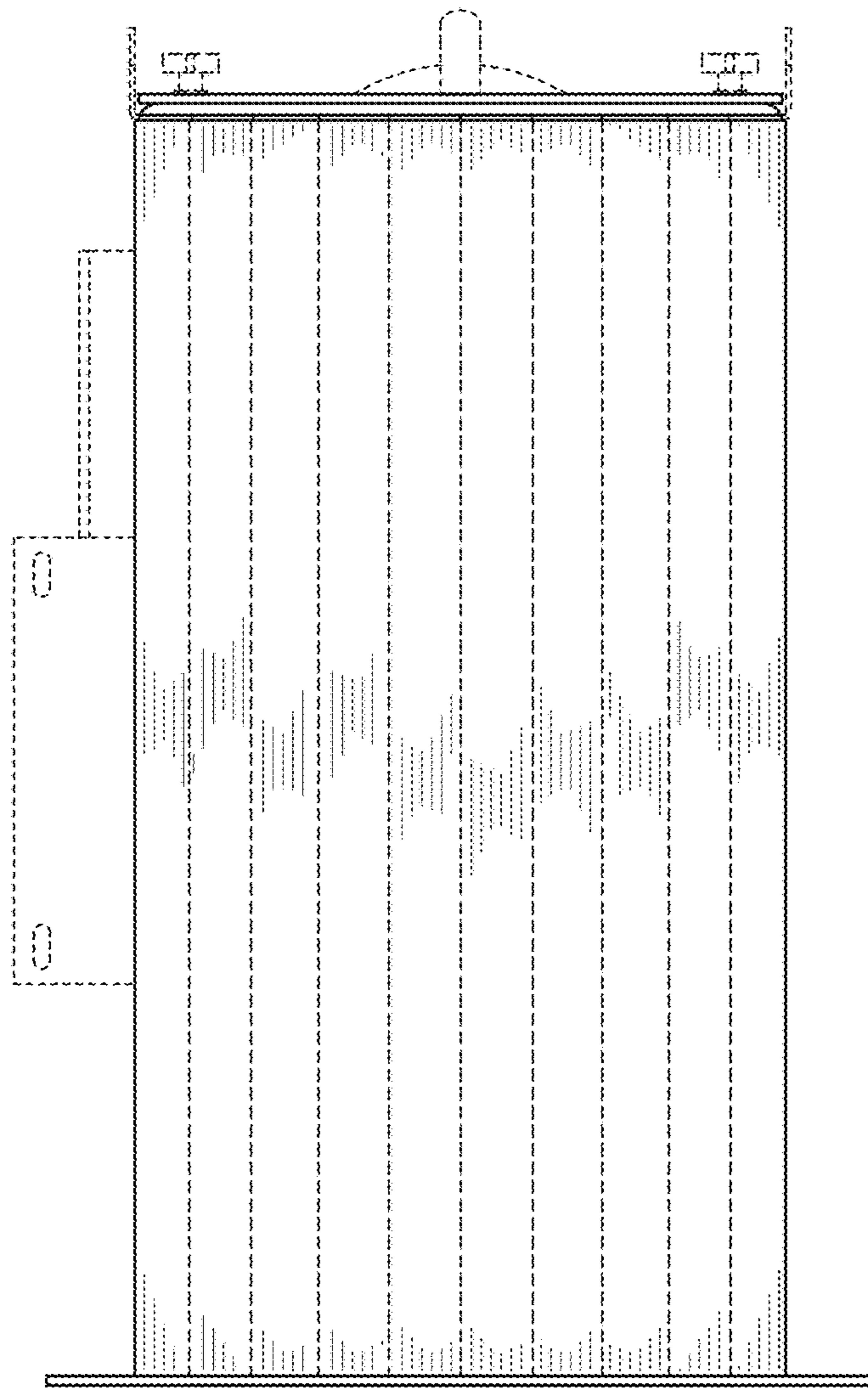


FIG. 7