



US00D854671S

(12) **United States Design Patent**  
**Fang et al.**

(10) **Patent No.:** **US D854,671 S**  
(45) **Date of Patent:** **\*\* Jul. 23, 2019**

(54) **AIR CONDITIONER**

(71) Applicant: **Gree Electric Appliances, Inc. of Zhuhai**, Zhuhai, Guangdong (CN)

(72) Inventors: **Siyu Fang**, Guangdong (CN); **Han Xiao**, Guangdong (CN); **Yuqiang Zhao**, Guangdong (CN); **Jingjing Wang**, Guangdong (CN); **Luan Qin**, Guangdong (CN); **Huanlong Wu**, Guangdong (CN); **Weijun Liang**, Guangdong (CN); **Xiaobo Su**, Guangdong (CN); **Qijian Yang**, Guangdong (CN); **Ye Yuan**, Guangdong (CN); **Ke Mu**, Guangdong (CN)

(73) Assignee: **Gree Electric Appliances, Inc. of Zhuhai**, Guangdong (CN)

(\*\*) Term: **15 Years**

(21) Appl. No.: **29/674,126**

(22) Filed: **Dec. 19, 2018**

**Related U.S. Application Data**

(62) Division of application No. 35/504,380, filed on Jan. 5, 2018 (U.S. filing date under 35 U.S.C. 384), and having an international filing date of Jan. 5, 2018.

(30) **Foreign Application Priority Data**

Jul. 7, 2017 (CN) ..... 2017 3 0296810  
Sep. 8, 2017 (CN) ..... 2017 3 0423643  
Sep. 8, 2017 (CN) ..... 2017 3 0423692

(51) **LOC (11) Cl.** ..... **23-04**

(52) **U.S. Cl.**  
USPC ..... **D23/333; D23/352**

(58) **Field of Classification Search**

USPC ..... D23/314, 325, 328, 332, 333, 335, 336, D23/337, 341, 351-354, 386, 387, 390, D23/391, 393  
CPC ..... F25B 27/00; F25B 27/02; F25B 49/02; F25B 49/022; F24F 1/00; F24F 1/02; F24F 1/08; F24F 1/41; F24F 1/56; F24F 1/60; F24F 1/005; F24F 1/027; F24F 1/0007; F24F 1/0011; F24F 1/0047; F24F 1/0057; F24F 3/16; F24F 3/044; F24F 3/048; F24F 7/00; F24F 7/04; F24F 12/001; F24F 12/006; F24F 13/00; F24F 13/10; F24F 13/224

See application file for complete search history.

(56) **References Cited**

**U.S. PATENT DOCUMENTS**

D315,598 S \* 3/1991 Yamamoto ..... D23/378  
D343,231 S \* 1/1994 Lim ..... D14/210  
D398,044 S \* 9/1998 Gutmann ..... D23/364  
D433,494 S \* 11/2000 Pinchuk ..... D23/364  
D479,589 S \* 9/2003 Koike ..... D23/336  
D509,897 S \* 9/2005 Lau ..... D23/378  
D515,187 S \* 2/2006 Blateri ..... D23/336

(Continued)

*Primary Examiner* — Keli L Hill

(74) *Attorney, Agent, or Firm* — The Webb Law Firm

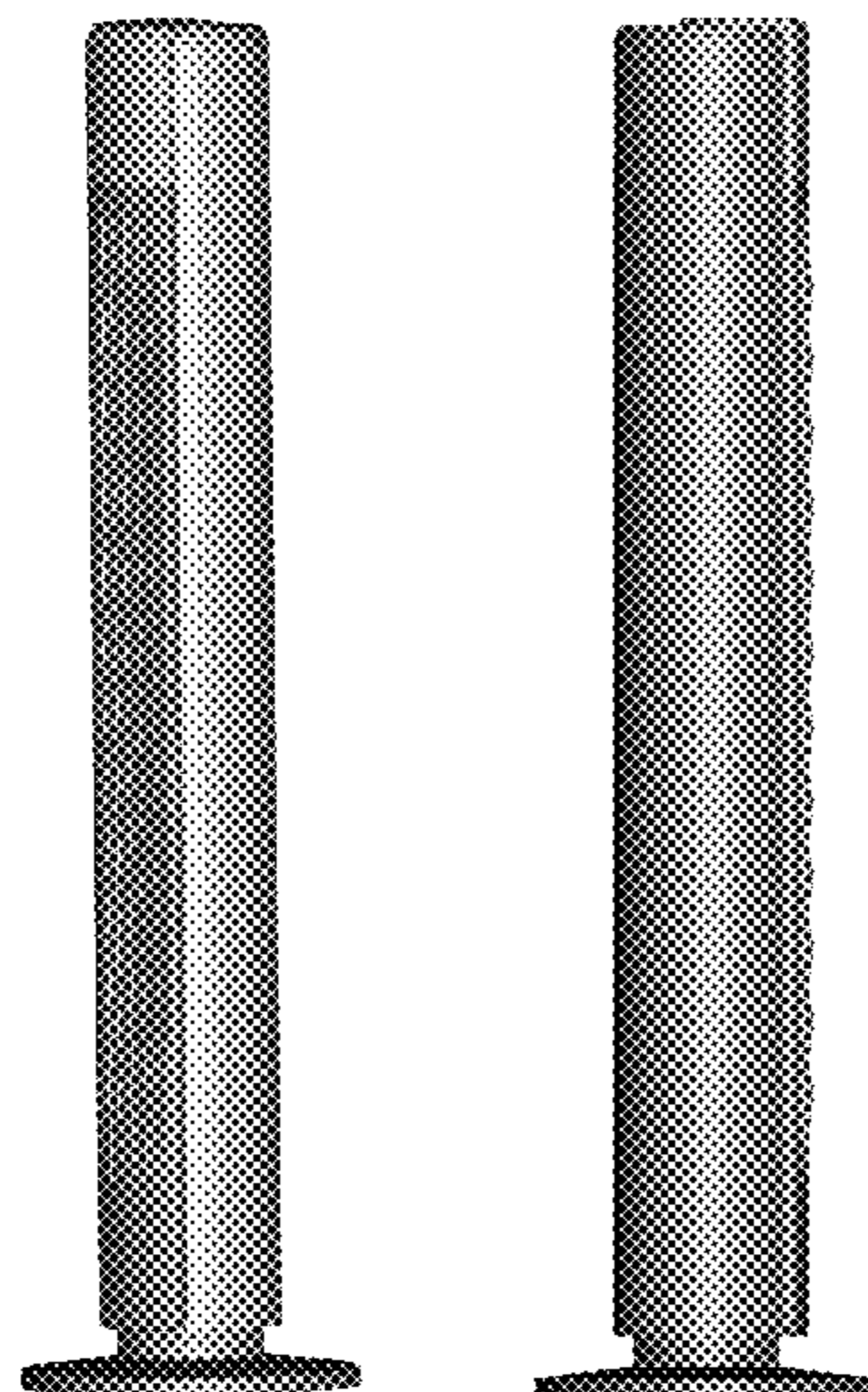
(57) **CLAIM**

The ornamental design for an air conditioner, as shown and described.

**DESCRIPTION**

FIG. 1 is an upper perspective view of an air conditioner, showing our new design;  
FIG. 2 is a front elevation view thereof;  
FIG. 3 is a rear elevation view thereof;  
FIG. 4 is a left side elevation view thereof;  
FIG. 5 is a right side elevation view thereof;  
FIG. 6 is a top plan view thereof; and,  
FIG. 7 is a bottom plan view thereof.

**1 Claim, 7 Drawing Sheets**



(56)

**References Cited**

U.S. PATENT DOCUMENTS

D539,410 S *	3/2007	Fok .....	D23/378
D546,932 S *	7/2007	Bucher .....	D23/378
D567,344 S *	4/2008	Gao .....	D23/317
D593,662 S *	6/2009	Chen .....	D23/317
D814,000 S *	3/2018	Qiao .....	D23/333
D817,467 S *	5/2018	Shin .....	D23/364
2018/0080665 A1 *	3/2018	Jung .....	F24F 1/0007

\* cited by examiner

FIG. 1

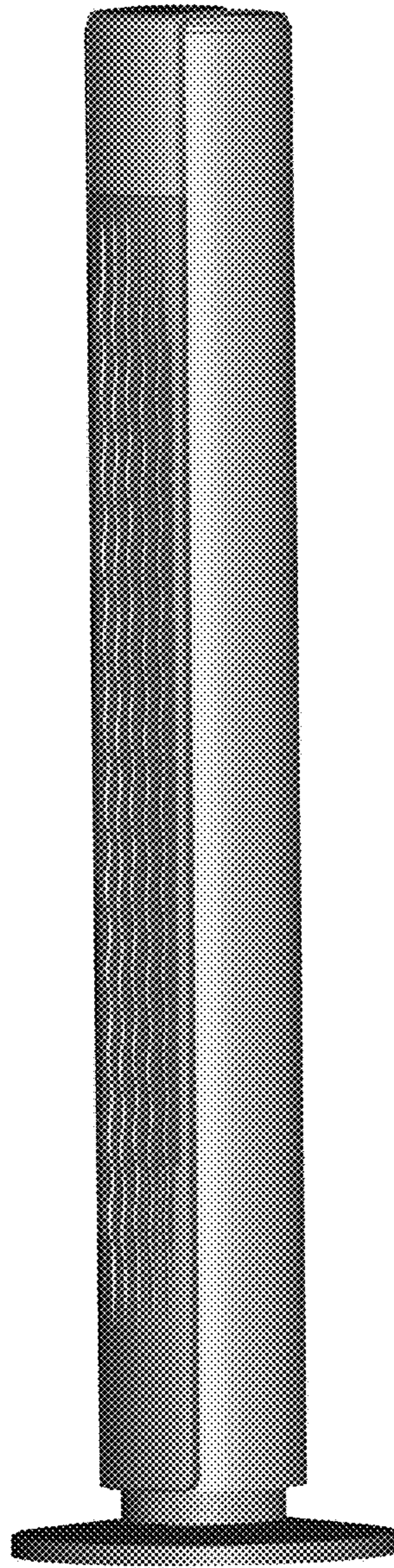
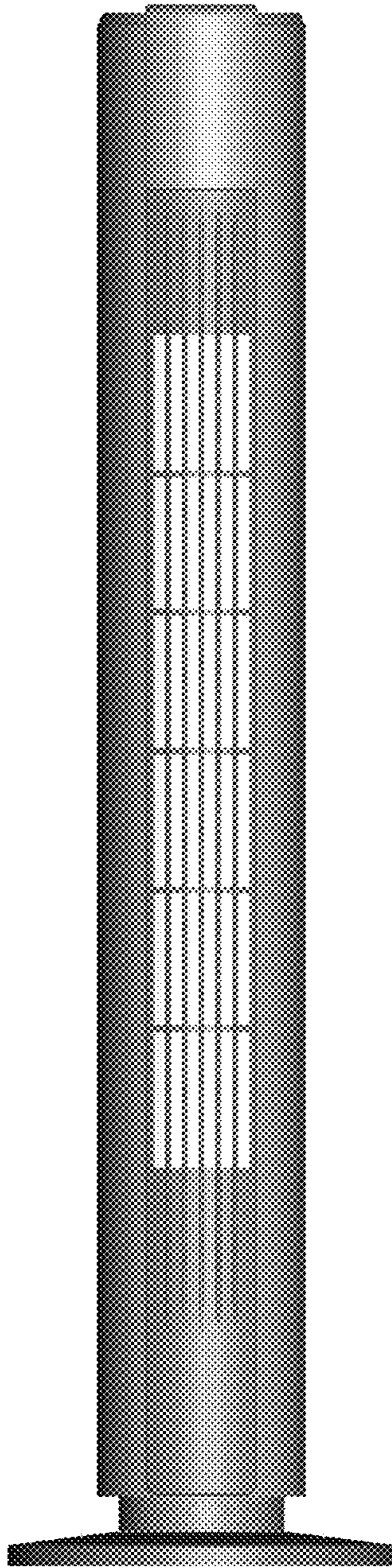


FIG. 2



**FIG. 3**

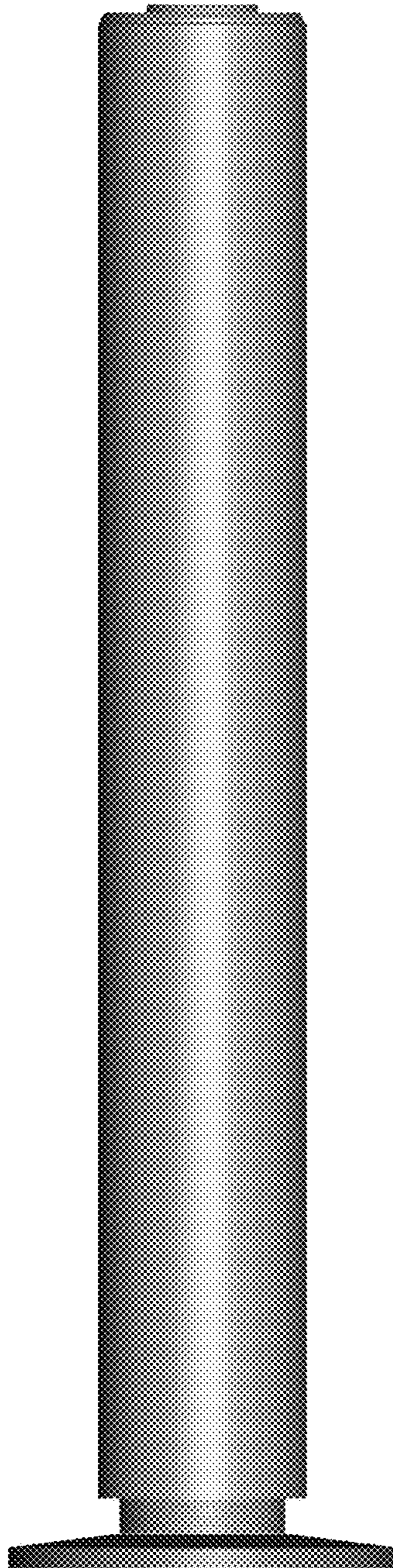


FIG. 4

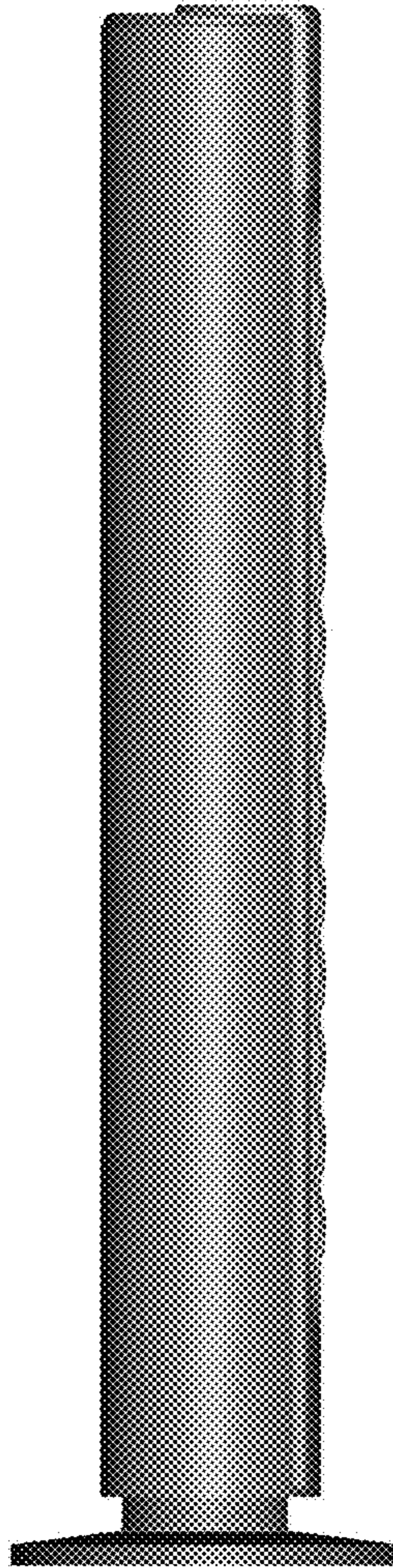


FIG. 5

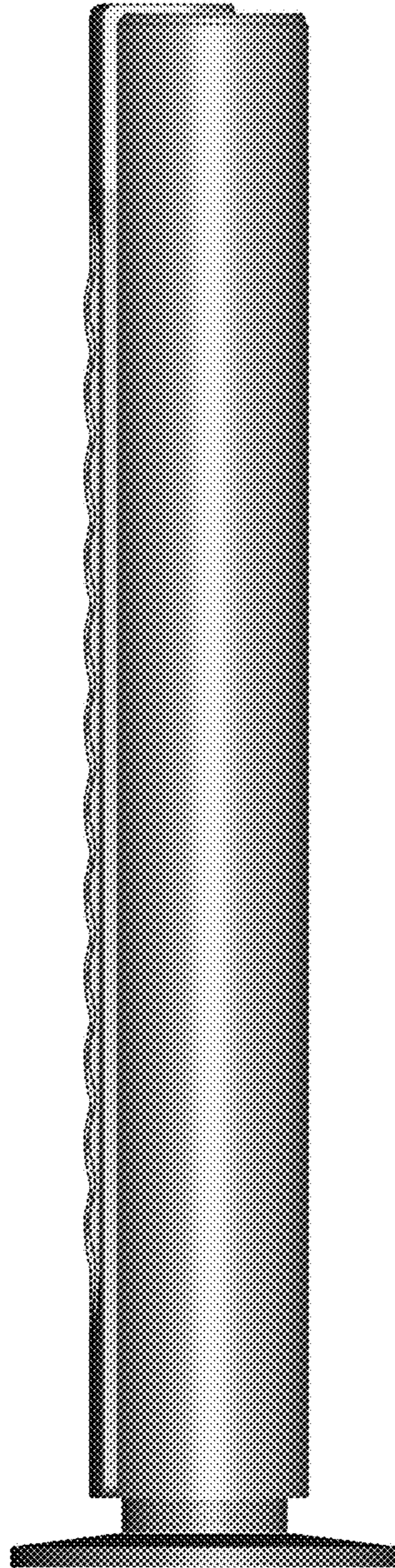


FIG. 6

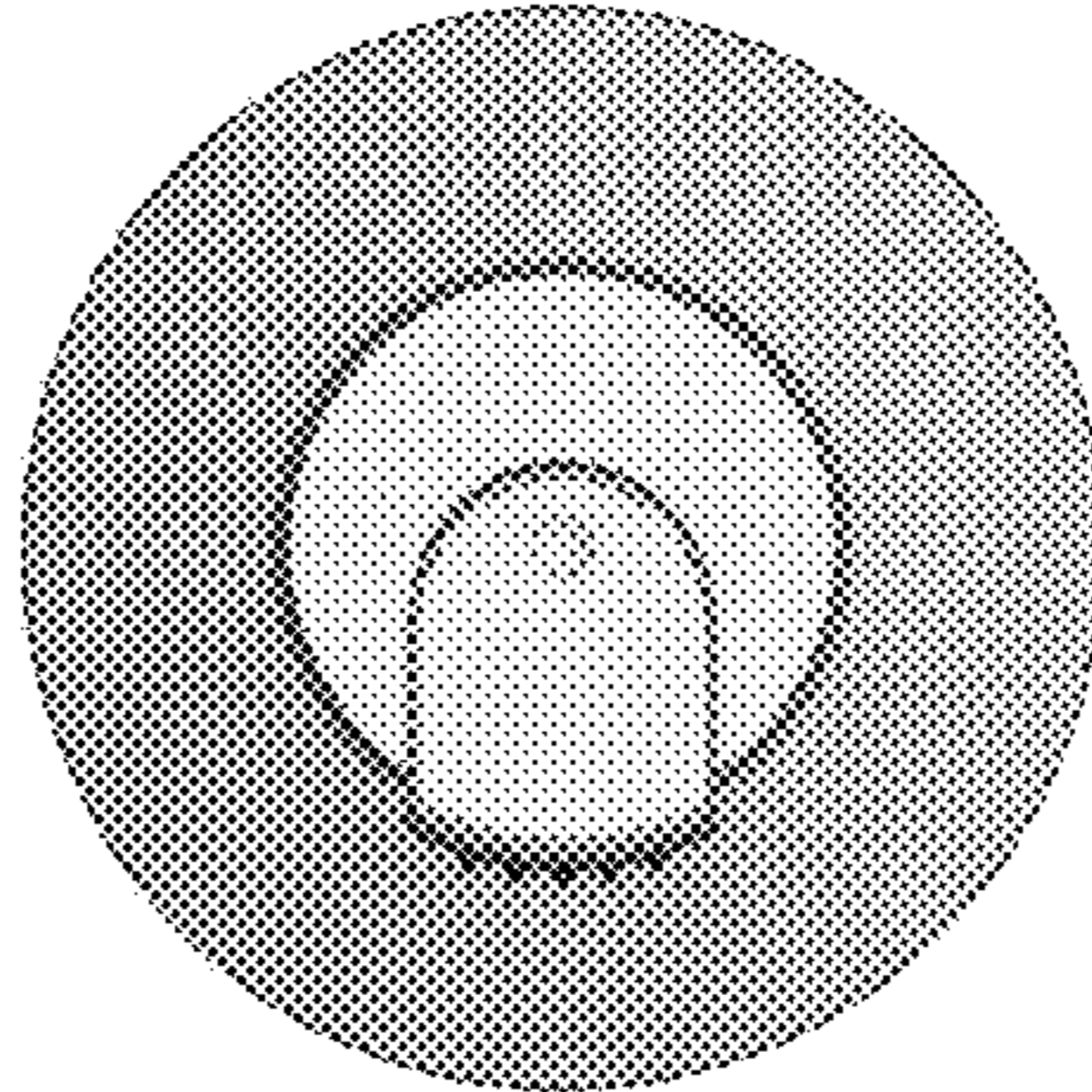




FIG. 7

