



US00D854670S

(12) **United States Design Patent**
Fang et al.

(10) **Patent No.:** **US D854,670 S**
(45) **Date of Patent:** **** Jul. 23, 2019**

(54) **AIR CONDITIONER**

(71) Applicant: **Gree Electric Appliances, Inc. of Zhuhai**, Zhuhai, Guangdong (CN)

(72) Inventors: **Siyu Fang**, Guangdong (CN); **Han Xiao**, Guangdong (CN); **Yuqiang Zhao**, Guangdong (CN); **Jingjing Wang**, Guangdong (CN); **Luan Qin**, Guangdong (CN); **Huanlong Wu**, Guangdong (CN); **Weijun Liang**, Guangdong (CN); **Xiaobo Su**, Guangdong (CN); **Qijian Yang**, Guangdong (CN); **Ye Yuan**, Guangdong (CN); **Ke Mu**, Guangdong (CN)

(73) Assignee: **Gree Electric Appliances, Inc. of Zhuhai**, Guangdong (CN)

(**) Term: **15 Years**

(21) Appl. No.: **29/674,114**

(22) Filed: **Dec. 19, 2018**

Related U.S. Application Data

(62) Division of application No. 35/504,380 (U.S. filing date under 35 U.S.C. 384), and having an international filing date of Jan. 5, 2018.

(30) **Foreign Application Priority Data**

Jul. 7, 2017 (CN) 2017 3 0296810
Sep. 8, 2017 (CN) 2017 3 0423643
Sep. 8, 2017 (CN) 2017 3 0423692

(51) **LOC (11) Cl.** **23-04**

(52) **U.S. Cl.**
USPC **D23/333; D23/352**

(58) **Field of Classification Search**

USPC D23/314, 325, 328, 332, 333, 335, 336, D23/337, 341, 351-354, 386, 387, 390, D23/391, 393
CPC F25B 27/00; F25B 27/02; F25B 49/02; F25B 49/022; F24F 1/00; F24F 1/02; F24F 1/08; F24F 1/41; F24F 1/56; F24F 1/60; F24F 1/005; F24F 1/027; F24F 1/0007; F24F 1/0011; F24F 1/0047; F24F 1/0057; F24F 3/16; F24F 3/044; F24F 3/048; F24F 7/00; F24F 7/04; F24F 12/001; F24F 12/006; F24F 13/00; F24F 13/10; F24F 13/224

See application file for complete search history.

(56) **References Cited**

U.S. PATENT DOCUMENTS

D315,598 S * 3/1991 Yamamoto D23/378
D343,231 S * 1/1994 Lim D14/210
D398,044 S * 9/1998 Gutmann D23/364
D433,494 S * 11/2000 Pinchuk D23/364
D479,589 S * 9/2003 Koike D23/336
D509,897 S * 9/2005 Lau D23/378
D515,187 S * 2/2006 Blateri D23/336

(Continued)

Primary Examiner — Keli L Hill

(74) *Attorney, Agent, or Firm* — The Webb Law Firm

(57) **CLAIM**

The ornamental design for an air conditioner, as shown and described.

DESCRIPTION

FIG. 1 is an upper perspective view of an air conditioner, showing our new design;

FIG. 2 is a front elevation view thereof;

FIG. 3 is a rear elevation view thereof;

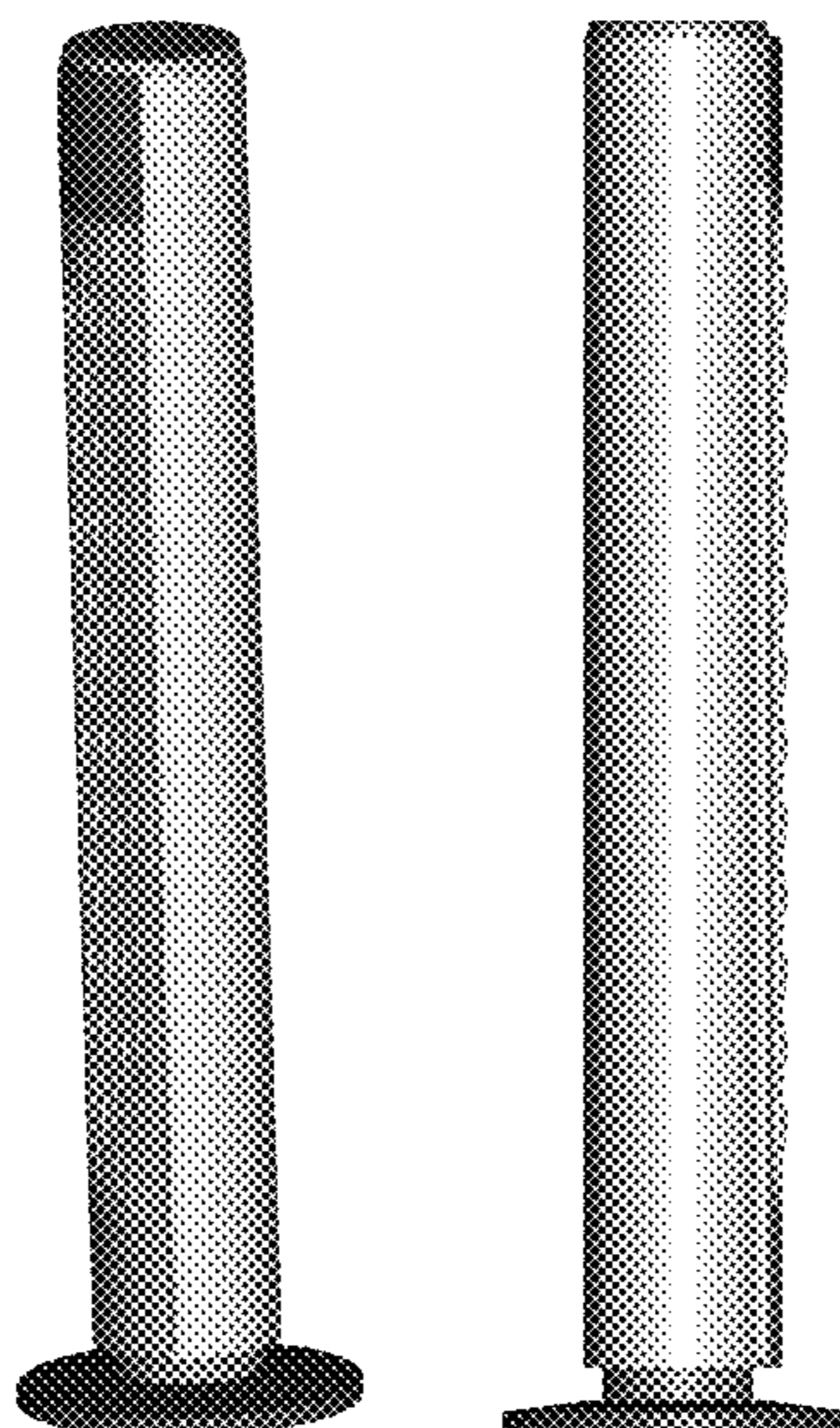
FIG. 4 is a left side elevation view thereof;

FIG. 5 is a right side elevation view thereof;

FIG. 6 is a top plan view thereof; and,

FIG. 7 is a bottom plan view thereof.

1 Claim, 7 Drawing Sheets



(56)

References Cited

U.S. PATENT DOCUMENTS

D539,410 S *	3/2007	Fok	D23/378
D546,932 S *	7/2007	Bucher	D23/378
D567,344 S *	4/2008	Gao	D23/317
D593,662 S *	6/2009	Chen	D23/317
D814,000 S *	3/2018	Qiao	D23/333
D817,467 S *	5/2018	Shin	D23/364
2018/0080665 A1 *	3/2018	Jung	F24F 1/0007

* cited by examiner

FIG. 1

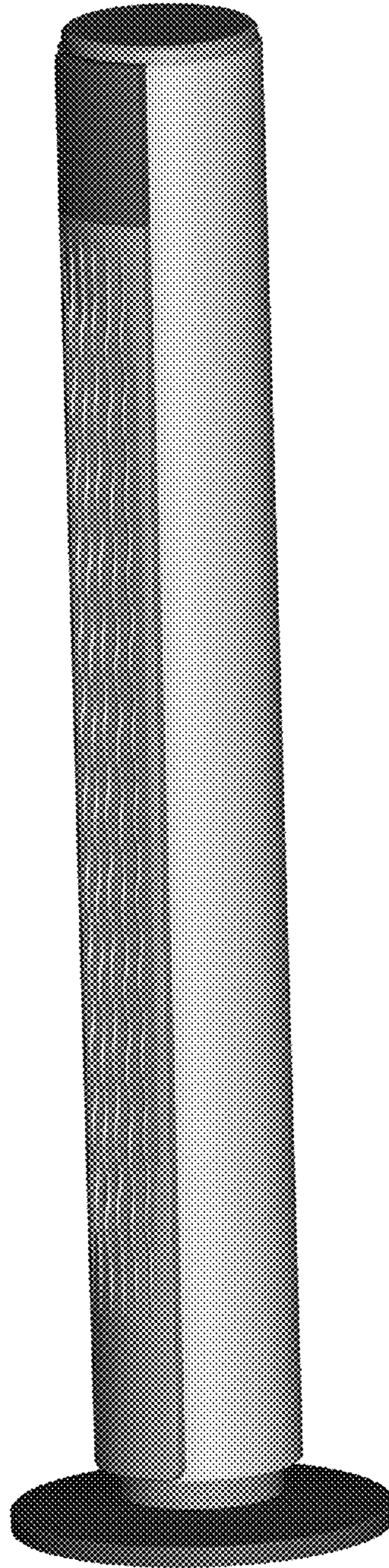


FIG. 2

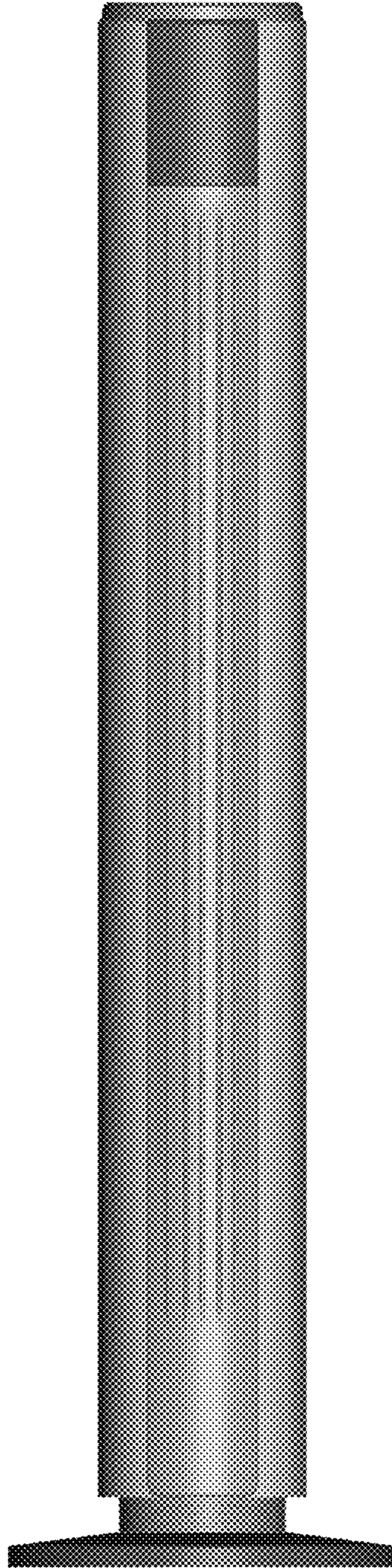


FIG. 3

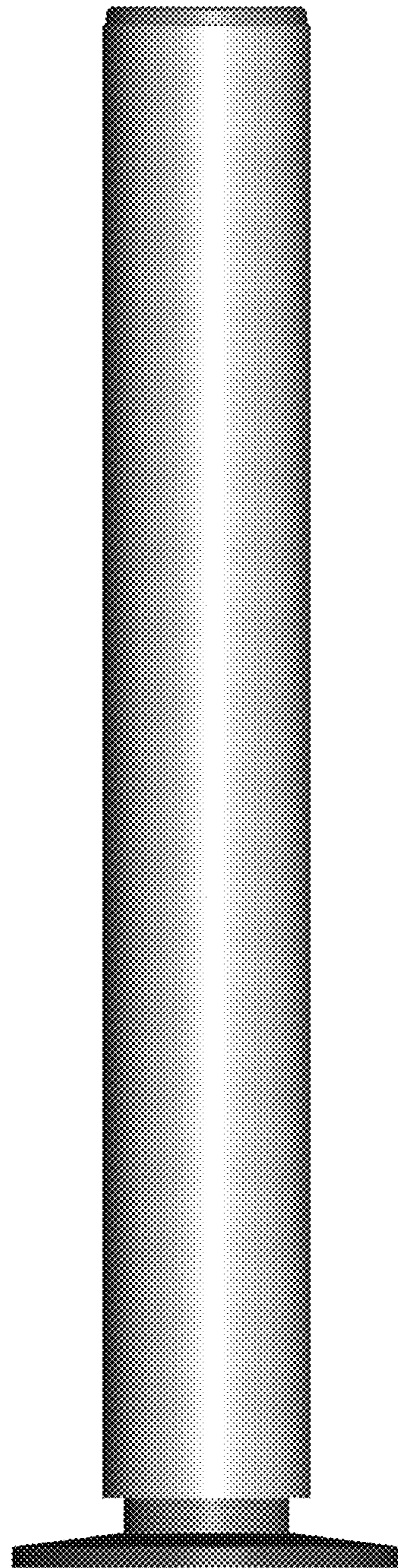


FIG. 4

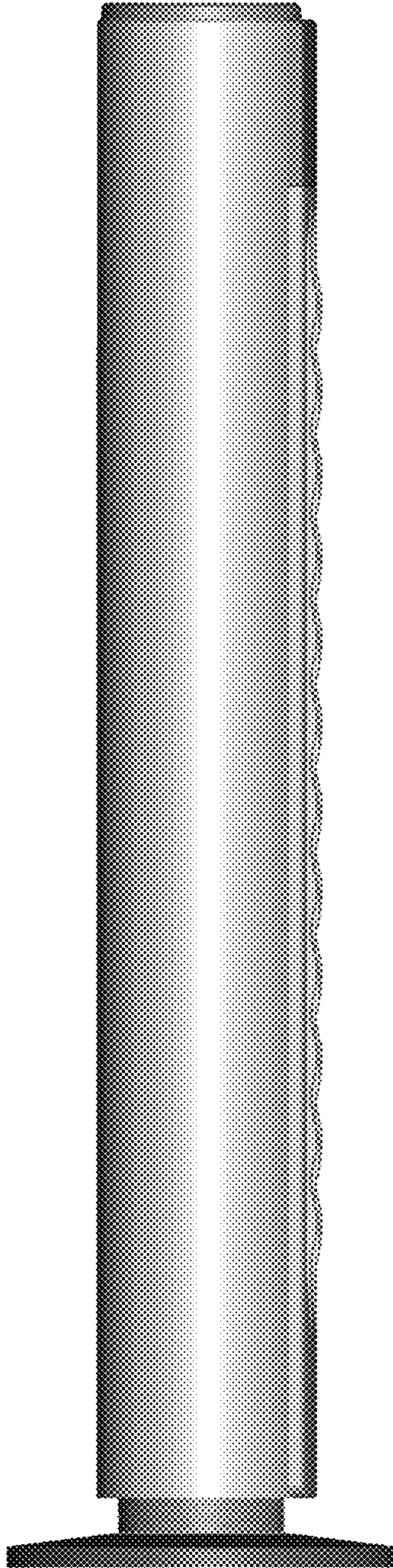


FIG. 5

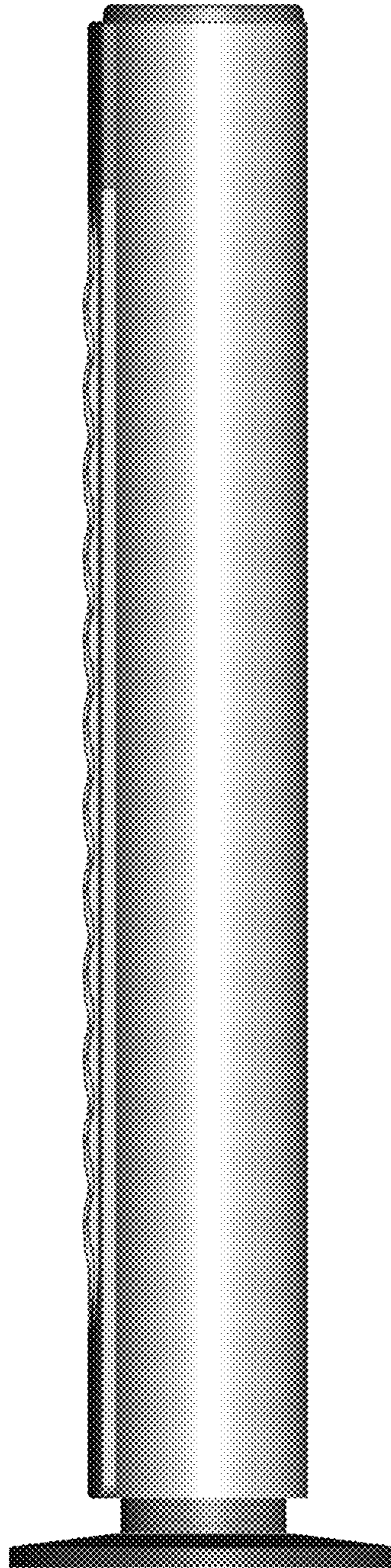


FIG. 6

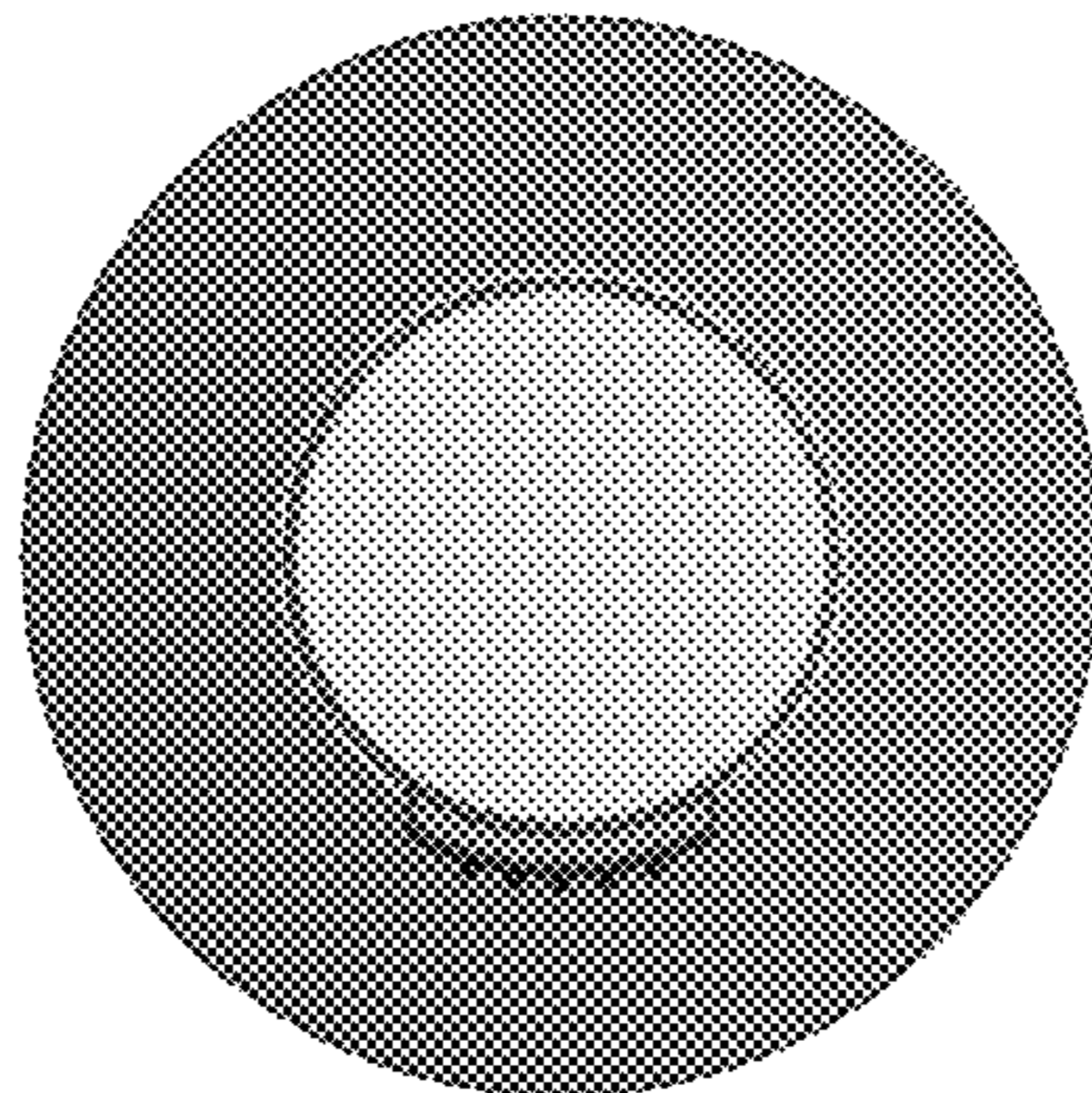
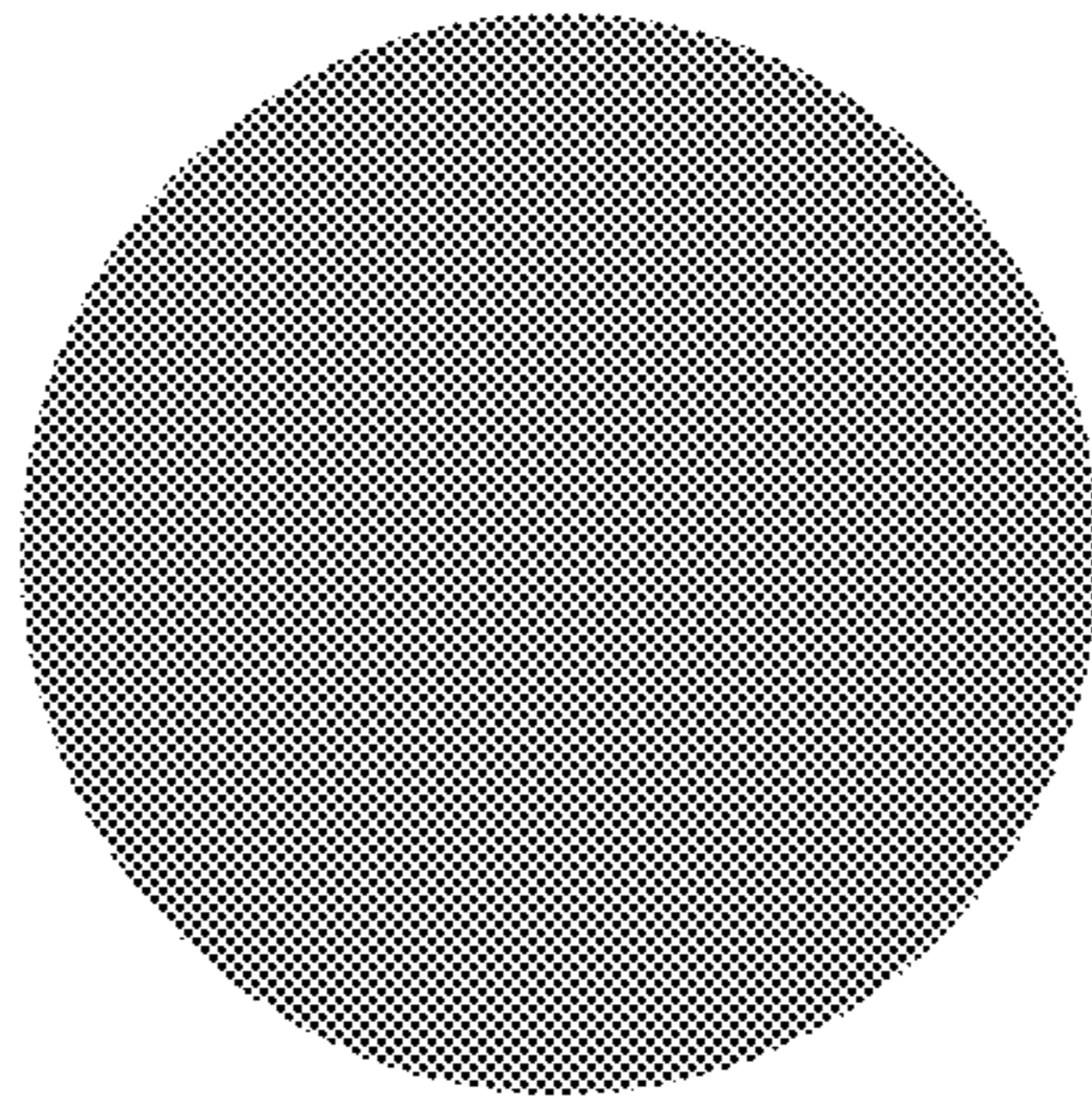


FIG. 7



UNITED STATES PATENT AND TRADEMARK OFFICE
CERTIFICATE OF CORRECTION

PATENT NO. : D854,670 S
APPLICATION NO. : 29/674114
DATED : July 23, 2019
INVENTOR(S) : Siyu Fang et al.

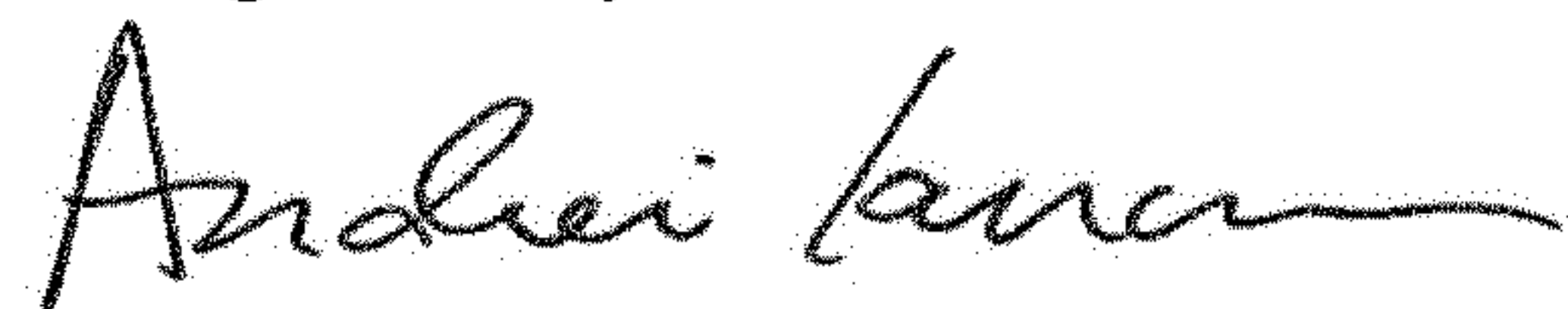
Page 1 of 1

It is certified that error appears in the above-identified patent and that said Letters Patent is hereby corrected as shown below:

On the Title Page

Column 1, Item (71) Applicant, Line 1, delete "Applicances," and insert -- Appliances, --

Signed and Sealed this
Eighth Day of October, 2019



Andrei Iancu
Director of the United States Patent and Trademark Office