



US00D854669S

(12) **United States Design Patent**  
**Yamaguchi et al.**

(10) **Patent No.:** **US D854,669 S**  
(45) **Date of Patent:** **\*\* Jul. 23, 2019**

(54) **FILTER HOUSING FOR A WATER HEATER**

- (71) Applicant: **NORITZ CORPORATION**, Hyogo (JP)
- (72) Inventors: **Hideki Yamaguchi**, Kobe (JP); **Masaki Sugatani**, Akashi (JP)
- (73) Assignee: **NORITZ CORPORATION**, Hyogo (JP)
- (\*\*) Term: **15 Years**
- (21) Appl. No.: **29/582,826**
- (22) Filed: **Oct. 31, 2016**
- (51) **LOC (11) Cl.** ..... **23-03**
- (52) **U.S. Cl.**  
USPC ..... **D23/318**
- (58) **Field of Classification Search**  
USPC .... D23/314, 329, 334, 335, 3, 42, 355, 356, D23/358, 359, 364, 386, 387, 317, 318, D23/320, 321, 322, 323, 324, 328, 330, D23/332, 337, 341, 342, 343, 347; D14/214, 221, 235, 240, 356, 362; D13/184  
CPC ..... F24C 7/10; F24H 9/2071; F24H 9/2064; F24H 1/06; F24H 9/2028; F24H 9/02; F24H 9/128; F24H 9/2021; F24H 9/2007; F24H 9/0005; F24H 4/00; F24H 2/142; H05B 3/78  
See application file for complete search history.

(56) **References Cited**

**U.S. PATENT DOCUMENTS**

|               |         |       |       |             |
|---------------|---------|-------|-------|-------------|
| D27,823 S *   | 11/1897 | Buick | ..... | D23/313     |
| 4,770,768 A * | 9/1988  | Lang  | ..... | B01D 35/043 |
|               |         |       |       | 210/94      |
| D361,828 S *  | 8/1995  | Chen  | ..... | D23/332     |
| D552,082 S *  | 10/2007 | Law   | ..... | D14/214     |
| D570,976 S *  | 6/2008  | Nanbu | ..... | D23/318     |

**OTHER PUBLICATIONS**

YouTube—Noritzamerica, May 7, 2018, Noritz Update #6 Apr. 2018, [site visited Aug. 7, 2018], Available on the Internet URL <https://www.youtube.com/watch?v=NYJksocP9tl>.\*

\* cited by examiner

*Primary Examiner* — Karen S Acker

*Assistant Examiner* — Steven B Reinholdt, Jr.

(74) *Attorney, Agent, or Firm* — Studebaker & Brackett PC

(57) **CLAIM**

The ornamental design for a filter housing for a water heater, as shown and described.

**DESCRIPTION**

FIG. 1 is a perspective view showing front, top and right side of a filter housing for a water heater which has a mesh of the present design;

FIG. 2 is a perspective view showing rear, top and right side thereof;

FIG. 3 is a perspective view showing front, bottom and right side thereof;

FIG. 4 is a front view thereof;

FIG. 5 is a rear view thereof;

FIG. 6 is a top view thereof;

FIG. 7 is a bottom view thereof;

FIG. 8 is a right side view thereof;

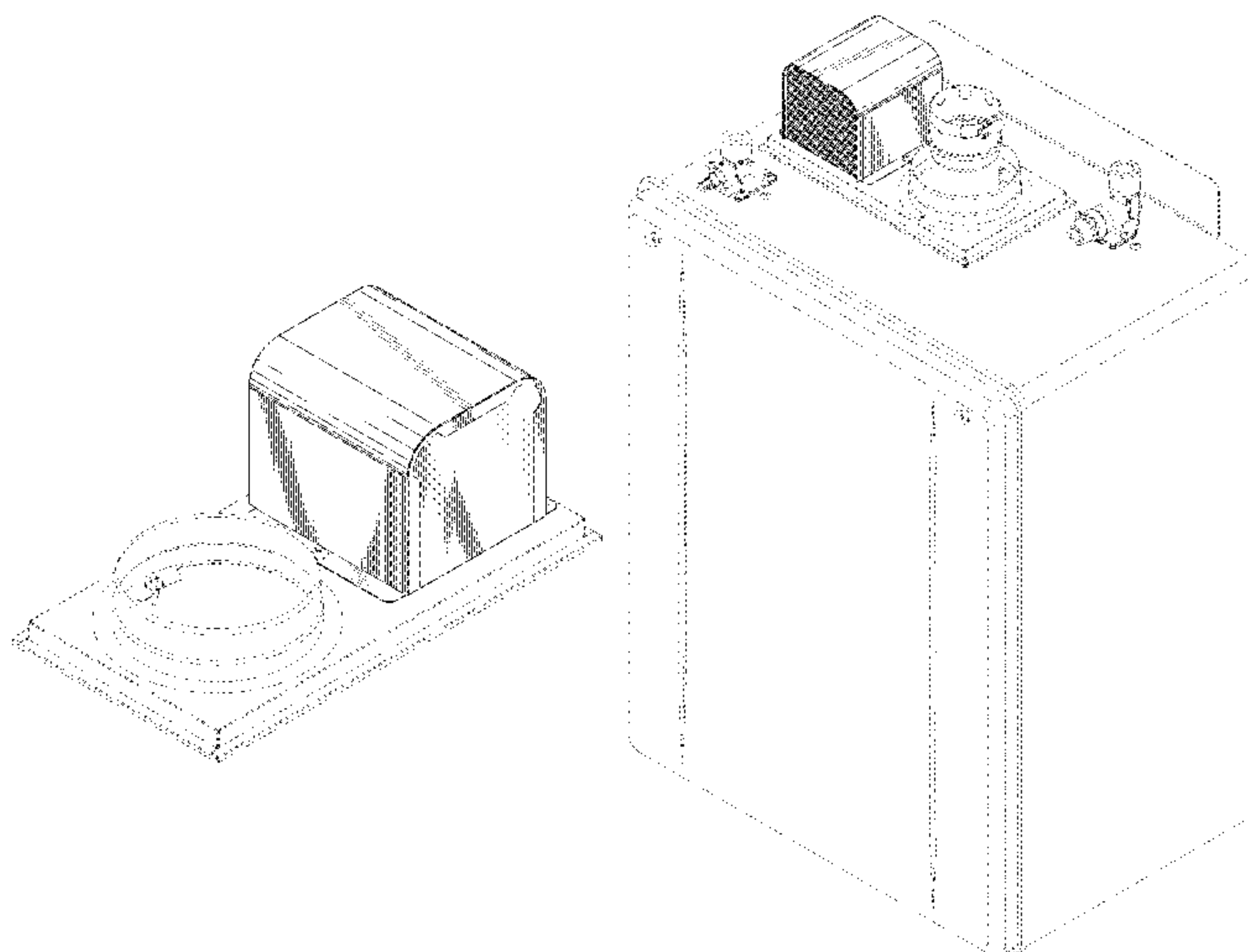
FIG. 9 is a left side view thereof;

FIG. 10 is a cross sectional view taken along line 10-10 of FIG. 6 thereof; and,

FIG. 11 is a perspective view showing the filter housing for a water heater of FIG. 1 in a state of use as a part of environment that forms no part of the claimed design.

The broken lines shown in the drawings represent portions of the filter housing for a water heater that form no part of the claimed design. The plane including features drawn in broken line surrounding the solid line circular opening in FIG. 3 illustrates environment that forms no part of the claimed design.

**1 Claim, 8 Drawing Sheets**



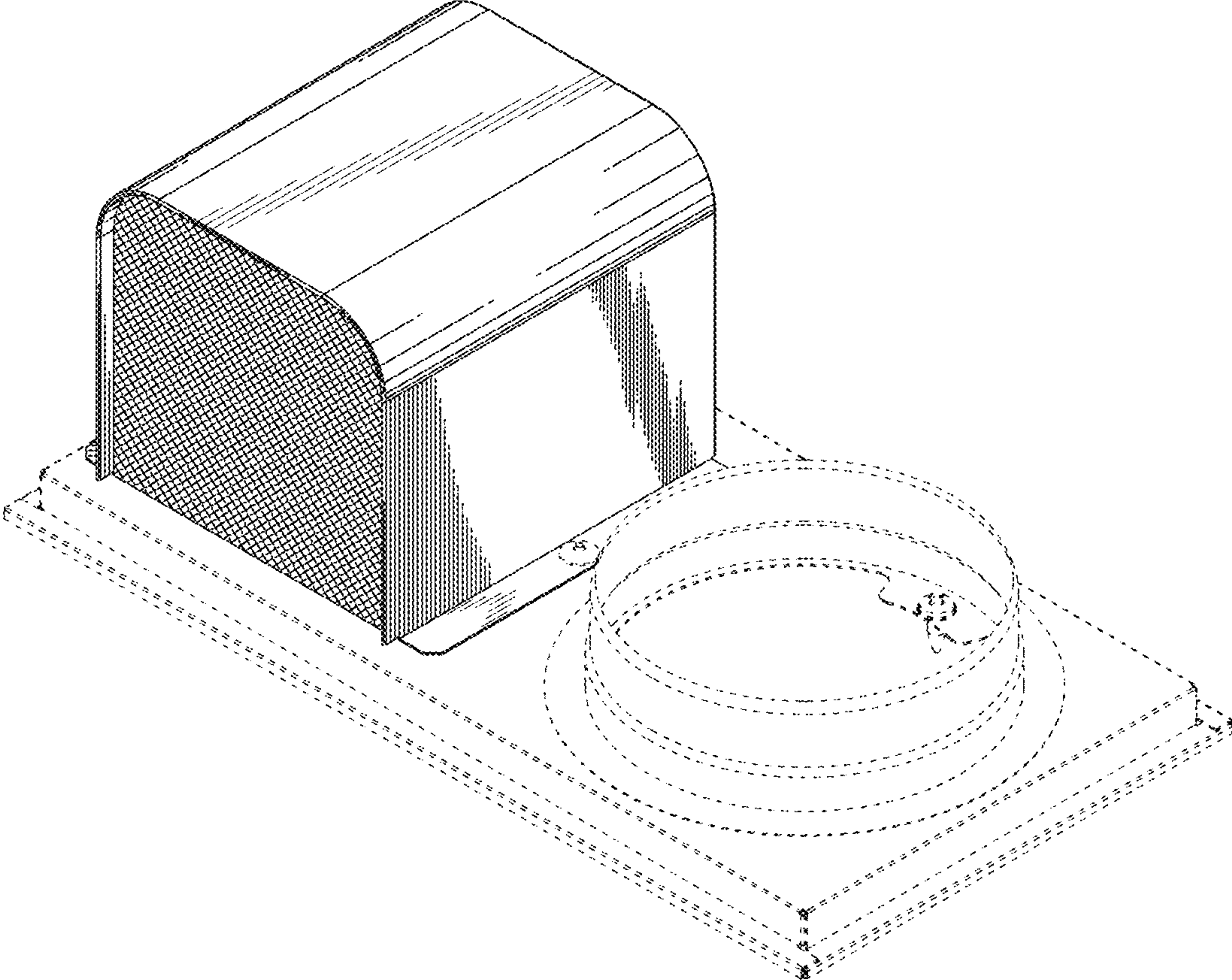


FIG. 1

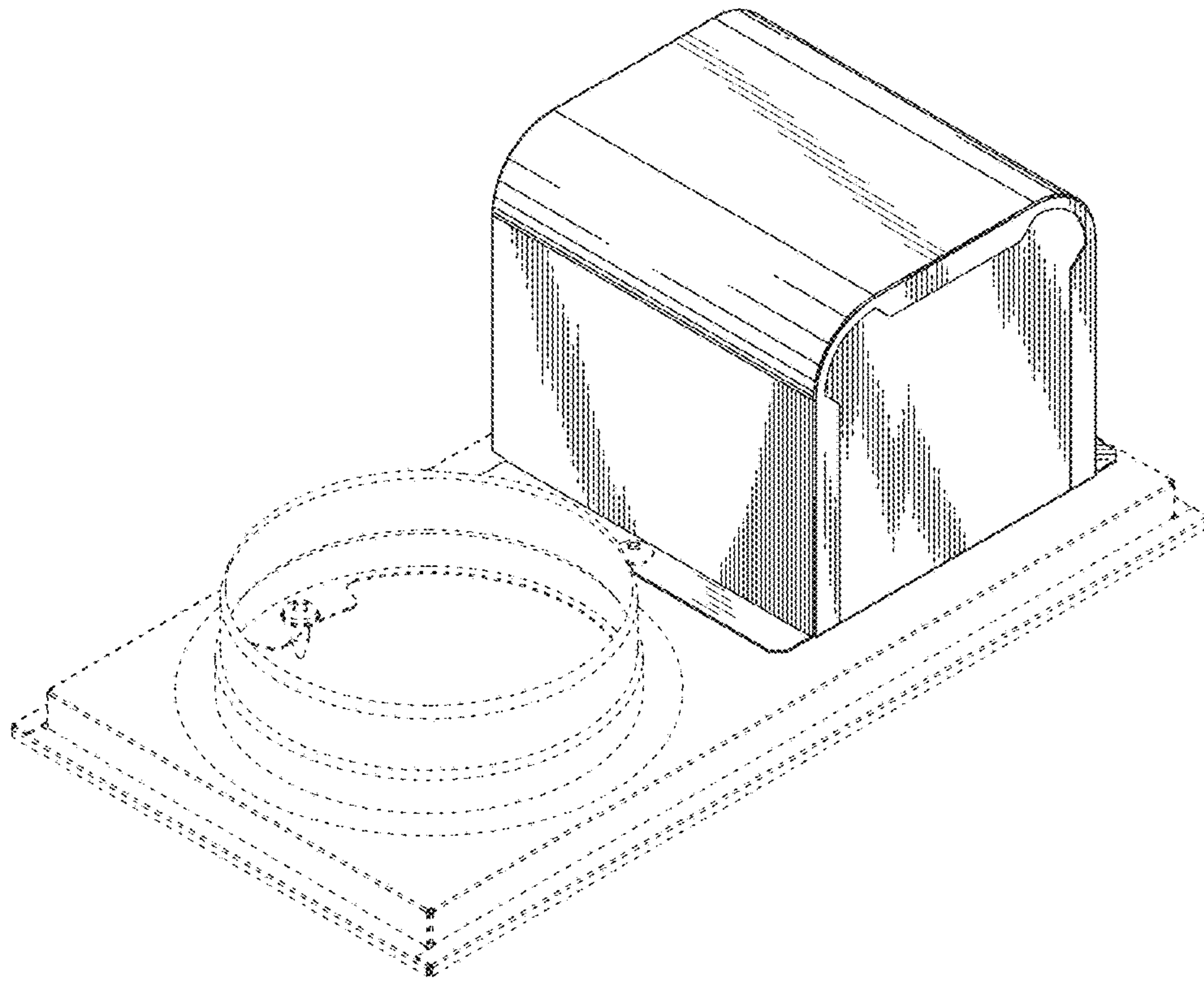


FIG. 2



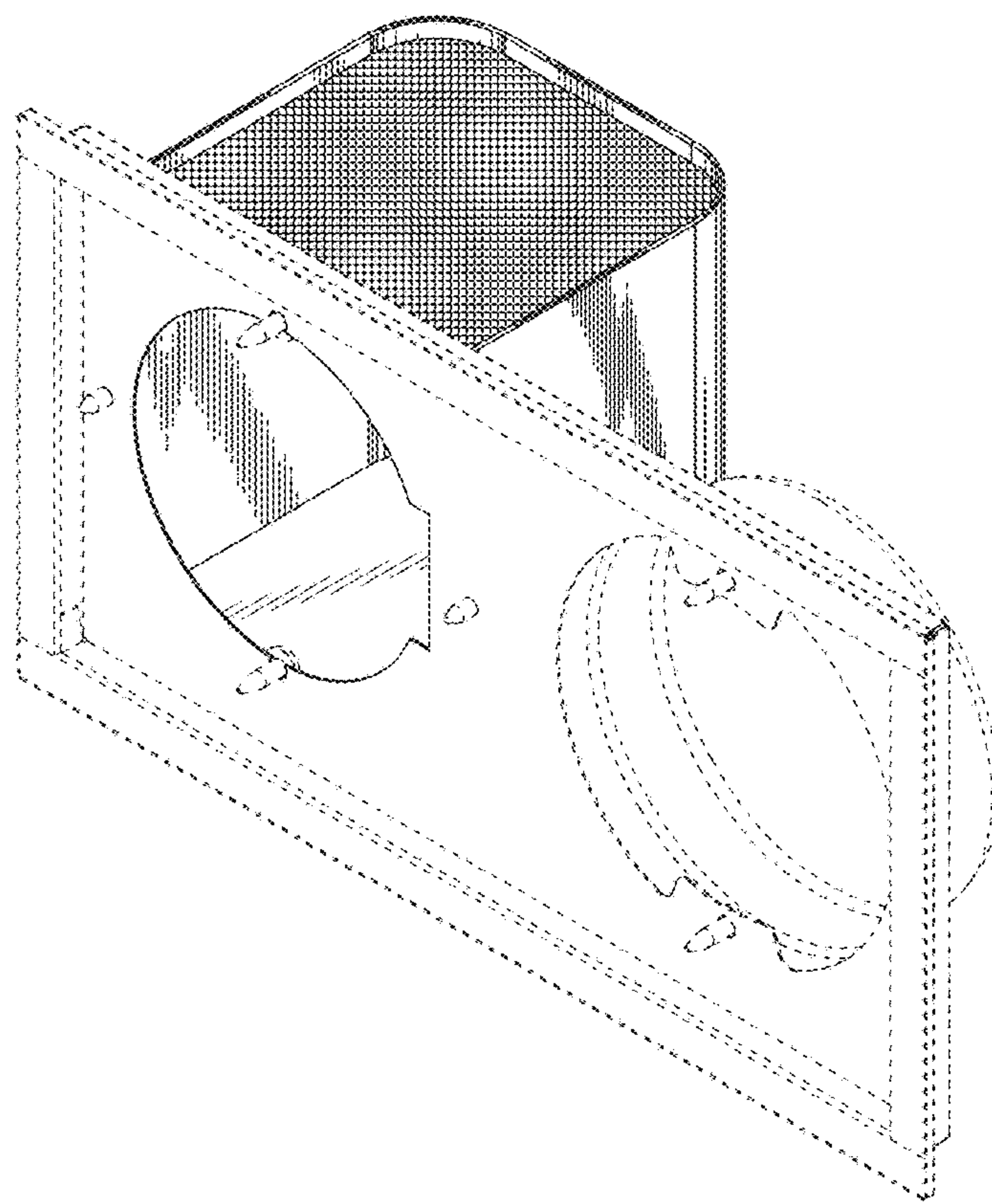


FIG. 3

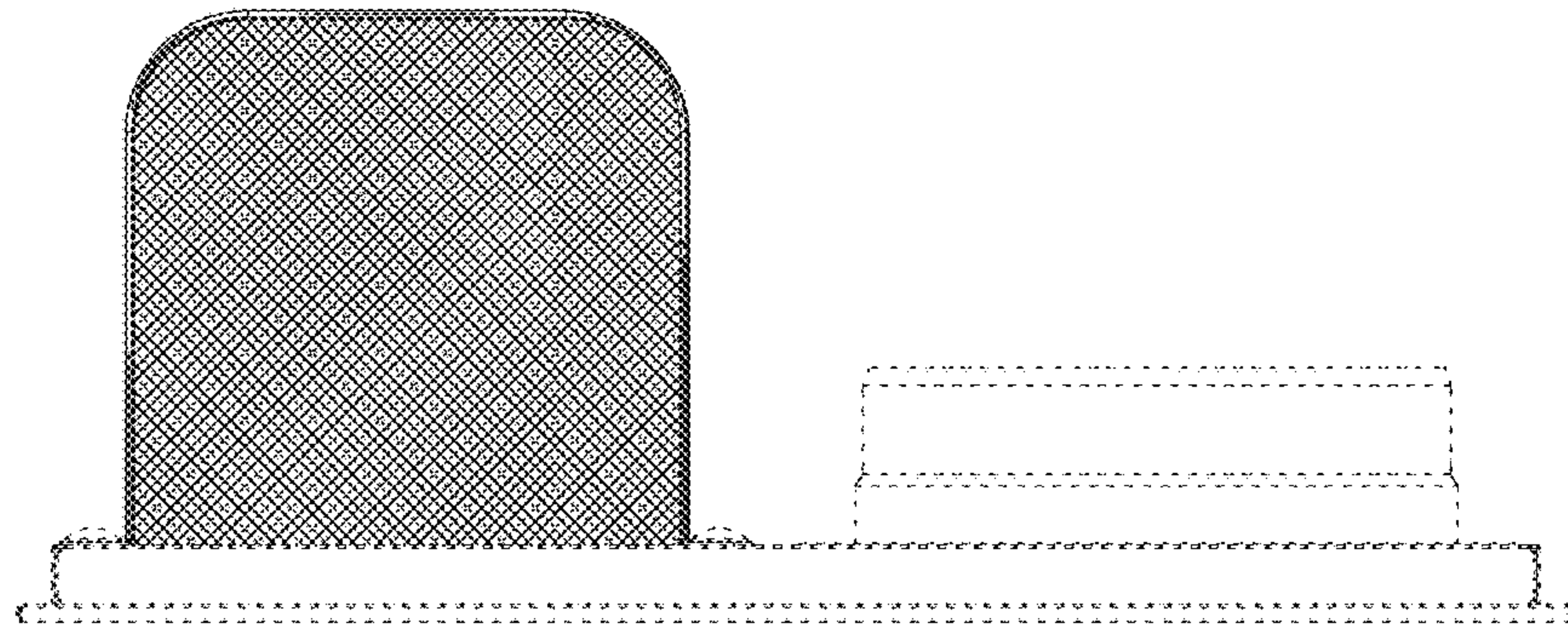


FIG. 4

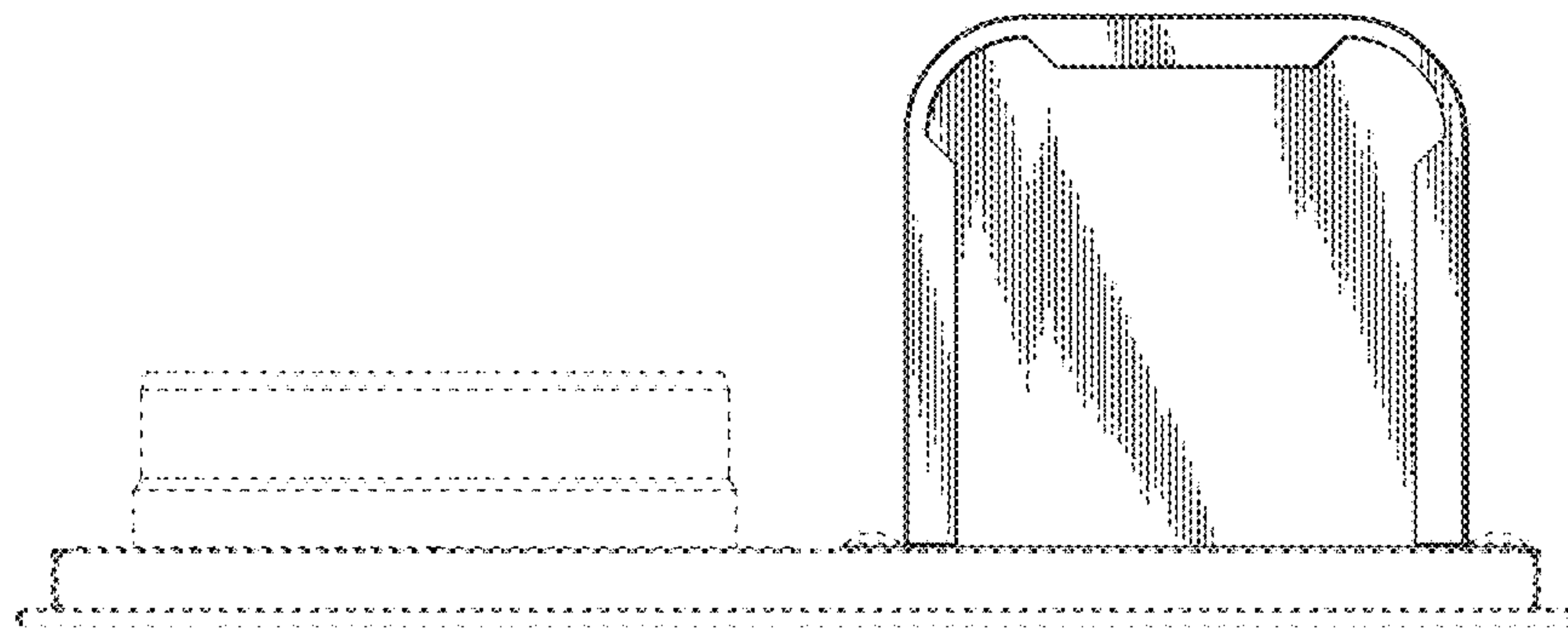


FIG. 5

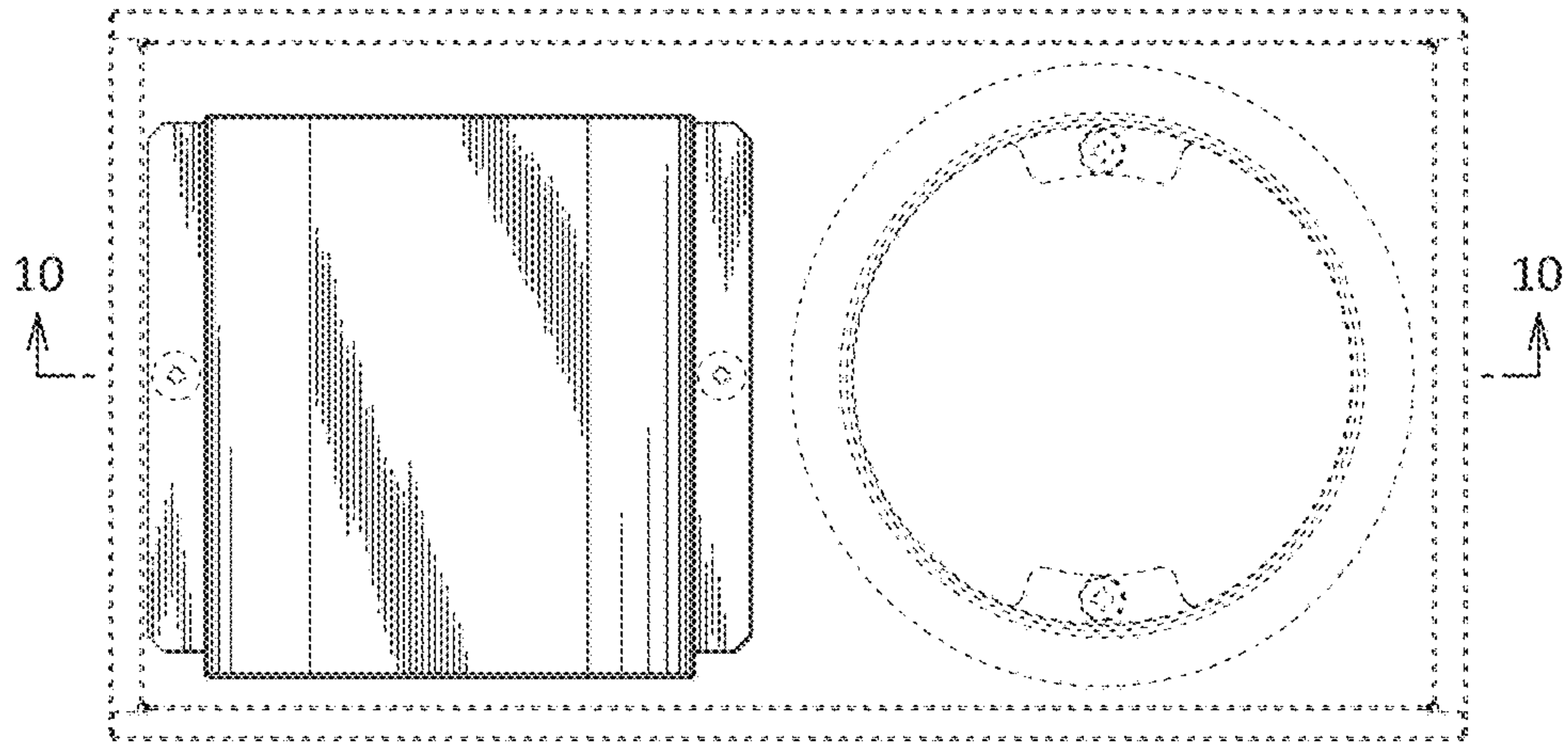


FIG. 6

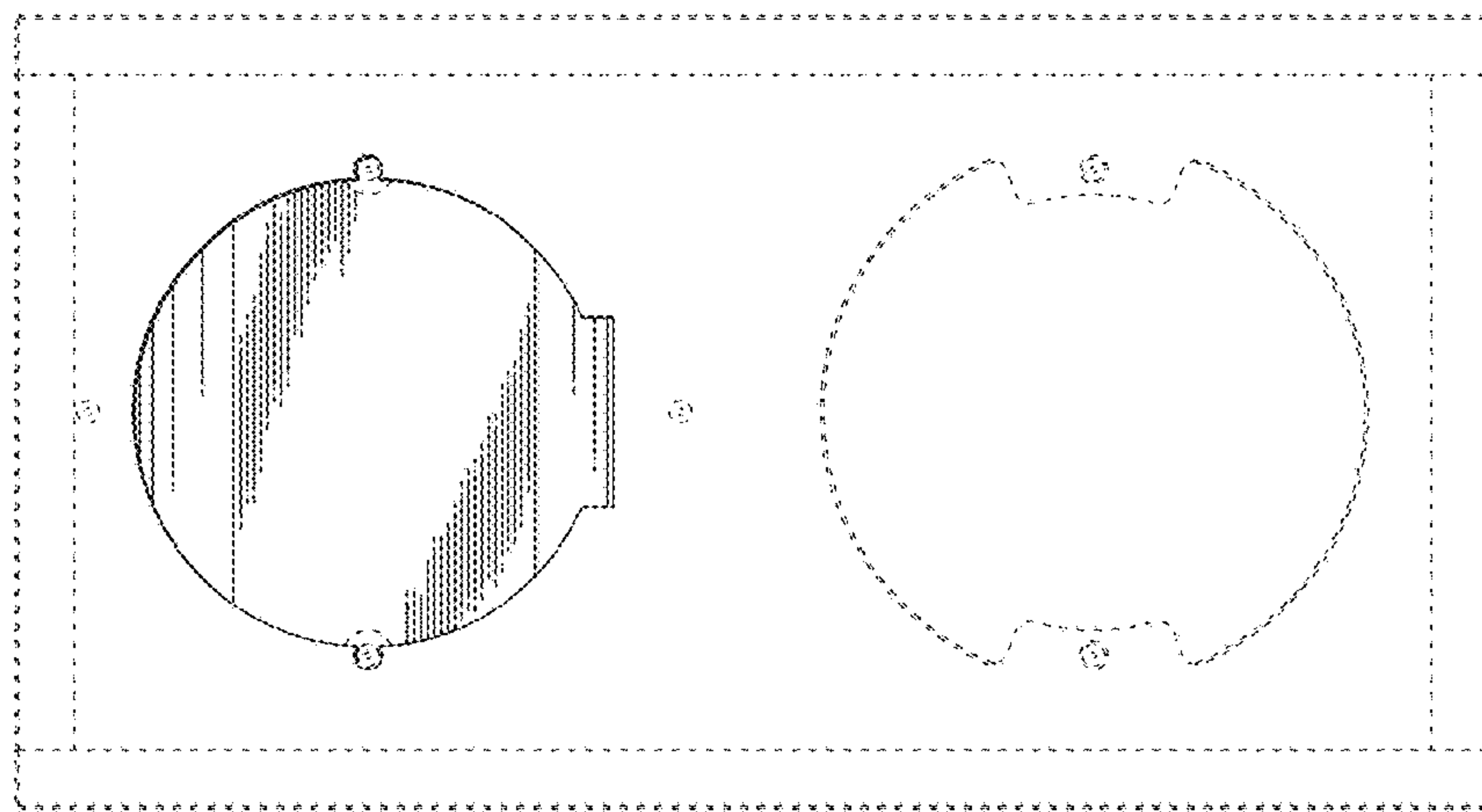


FIG. 7

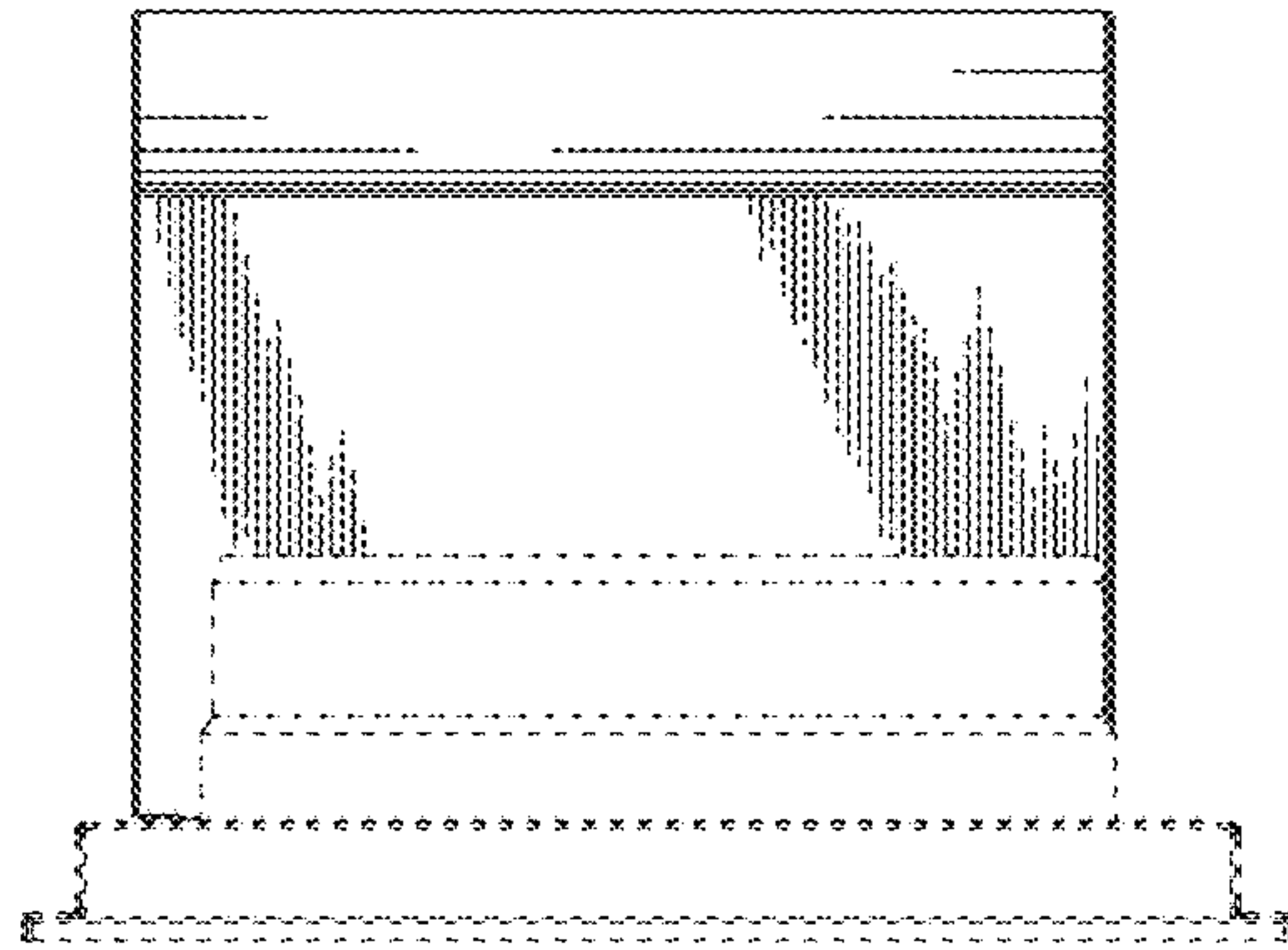


FIG. 8

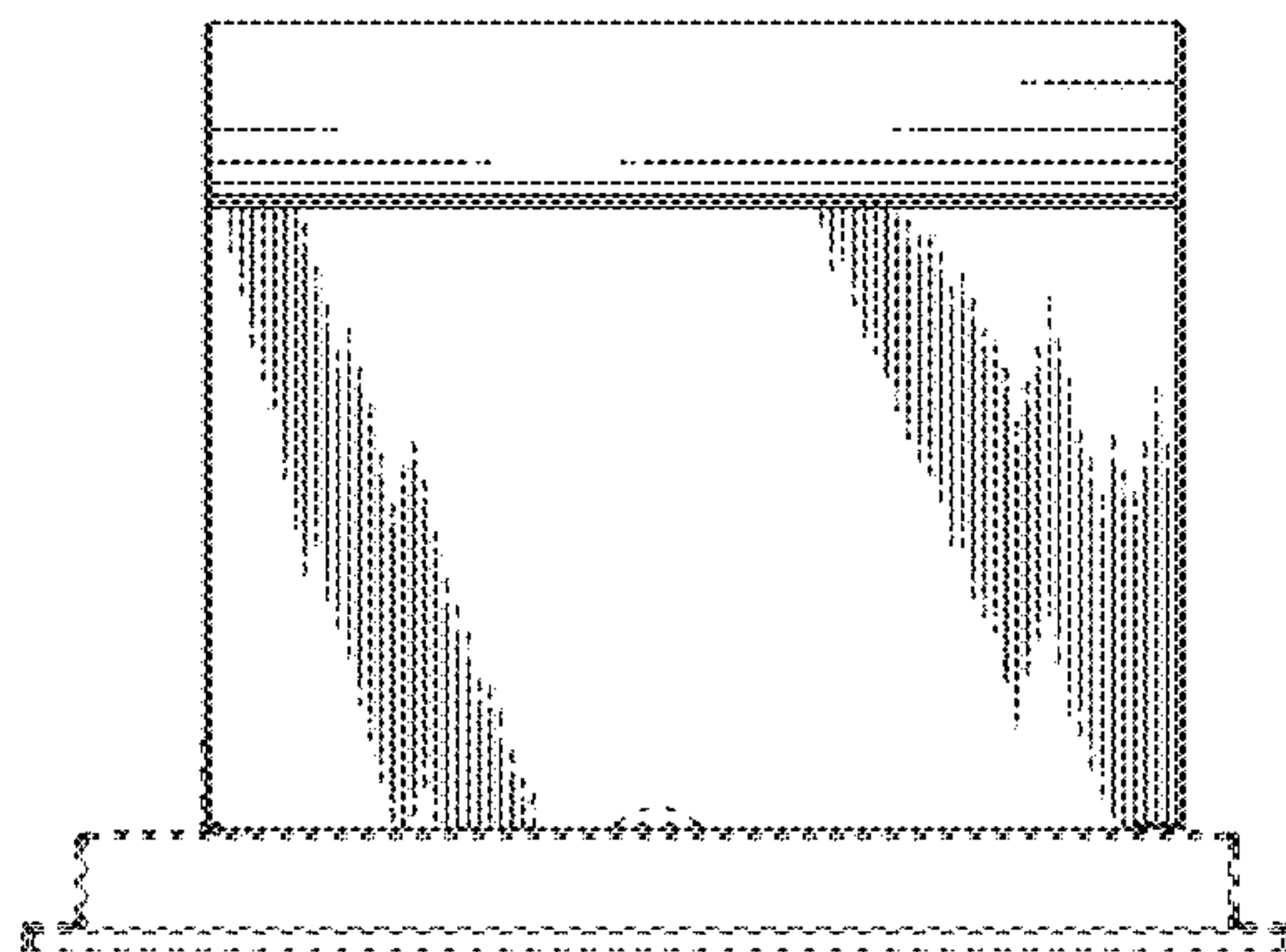


FIG. 9

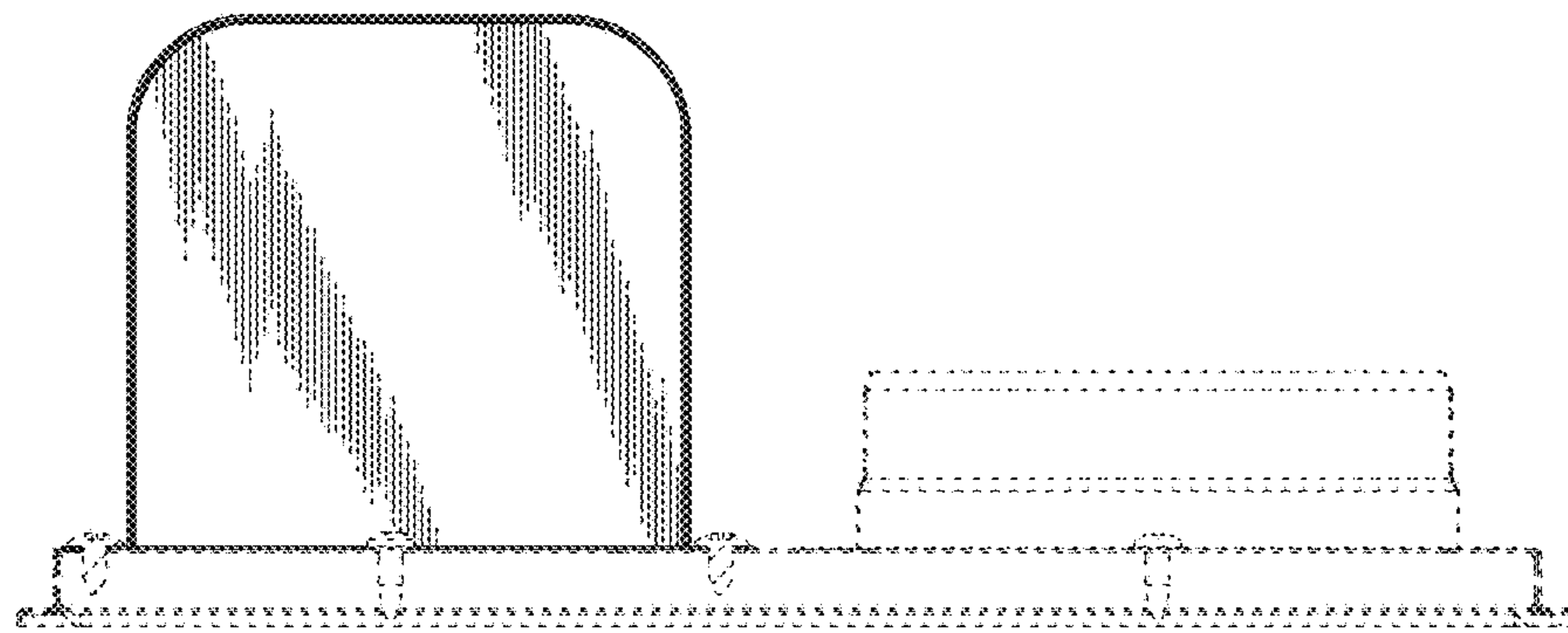


FIG. 10



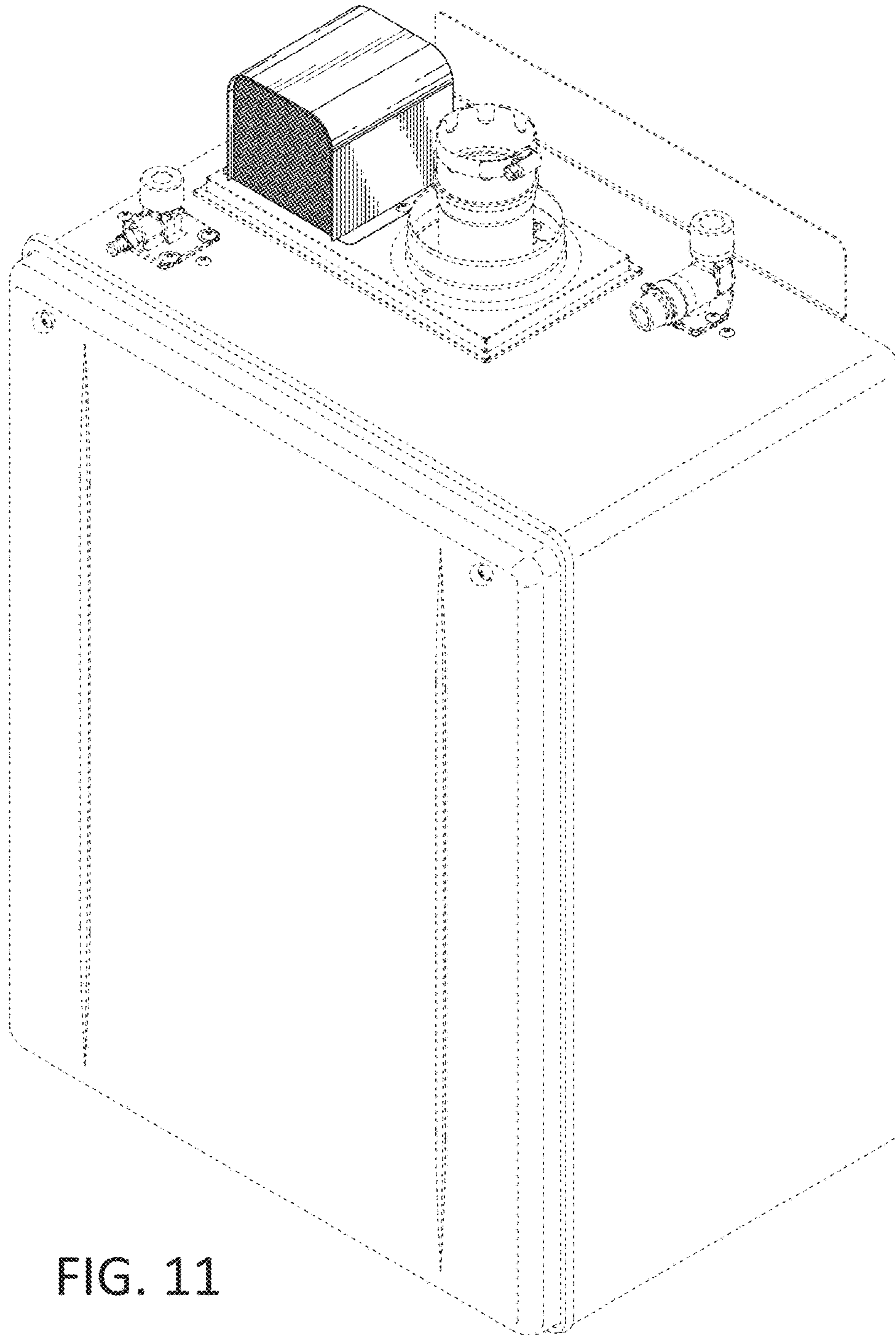


FIG. 11