



US00D854668S

(12) **United States Design Patent**  
**Wipper**

(10) **Patent No.:** **US D854,668 S**

(45) **Date of Patent:** **\*\* Jul. 23, 2019**

(54) **SEAT FOR SHOWER/TOILET CHAIR**

(71) Applicant: **INVACARE INTERNATIONAL SÀRL**, Gland (CH)

(72) Inventor: **Bernd Wipper**, Isny (DE)

(73) Assignee: **INVACARE INTERNATIONAL SÀRL**, Witterswil (CH)

(\*\*) Term: **15 Years**

(21) Appl. No.: **35/504,528**

(22) Filed: **Jan. 19, 2018**

(80) **Hague Agreement Data**

Int. Filing Date: **Jan. 19, 2018**

Int. Reg. No.: **DM/099786**

Int. Reg. Date: **Jan. 19, 2018**

Int. Reg. Pub. Date: **Mar. 2, 2018**

(51) **LOC (11) Cl.** ..... **23-02**

(52) **U.S. Cl.**

USPC ..... **D23/311**; D23/296; D12/133

(58) **Field of Classification Search**

USPC ..... D23/295-299, 303, 309-312; D6/335;  
D12/128, 131

CPC ..... A47K 13/00; A47K 13/06; A47K 13/24;  
A47K 13/28; A47K 13/005

See application file for complete search history.

(56) **References Cited**

**U.S. PATENT DOCUMENTS**

- D346,206 S \* 4/1994 Crossley ..... A47K 7/046  
D23/296
- 5,373,591 A \* 12/1994 Myers ..... A47K 3/122  
4/560.1
- D389,099 S \* 1/1998 McKay ..... D12/128
- 6,052,838 A \* 4/2000 Thom ..... A47K 13/005  
4/235
- D425,607 S \* 5/2000 Pham ..... D23/296
- 6,176,508 B1 \* 1/2001 Malassigne ..... A61G 5/1002  
280/648

- D439,869 S \* 4/2001 Kjell ..... D12/128
- D485,891 S \* 1/2004 Bernsley ..... D23/296
- D598,816 S \* 8/2009 Ahlbertz ..... D12/131
- D679,513 S \* 4/2013 Braverman ..... D6/335
- 8,434,171 B2 \* 5/2013 Wang ..... A61H 3/04  
4/237
- D686,708 S \* 7/2013 Khiroya ..... D23/311
- D724,711 S \* 3/2015 Capraro ..... D23/296
- D795,441 S \* 8/2017 Clement ..... D24/188
- D800,877 S \* 10/2017 Uche ..... D23/299
- D801,880 S \* 11/2017 Ahlbertz ..... D12/131
- D809,975 S \* 2/2018 Menichini ..... D12/131
- D813,401 S \* 3/2018 Clement ..... D24/188
- D829,137 S \* 9/2018 Hommen ..... A47K 13/005  
D12/131
- 2003/0030251 A1 \* 2/2003 Malassigne ..... A61G 5/08  
280/648
- 2014/0250587 A1 \* 9/2014 Alsaffar ..... A47K 7/046  
4/615

**FOREIGN PATENT DOCUMENTS**

DE 102008037439 A1 \* 4/2010 ..... A47C 4/10

\* cited by examiner

*Primary Examiner* — Keli L Hill

(74) *Attorney, Agent, or Firm* — Calfee, Halter & Griswold LLP

(57) **CLAIM**

The ornamental design for a seat for shower/toilet chair, as shown and described.

**DESCRIPTION**

1. Seat for a shower/toilet chair

**1.1** : Perspective

**1.2** : Front

**1.3** : Back

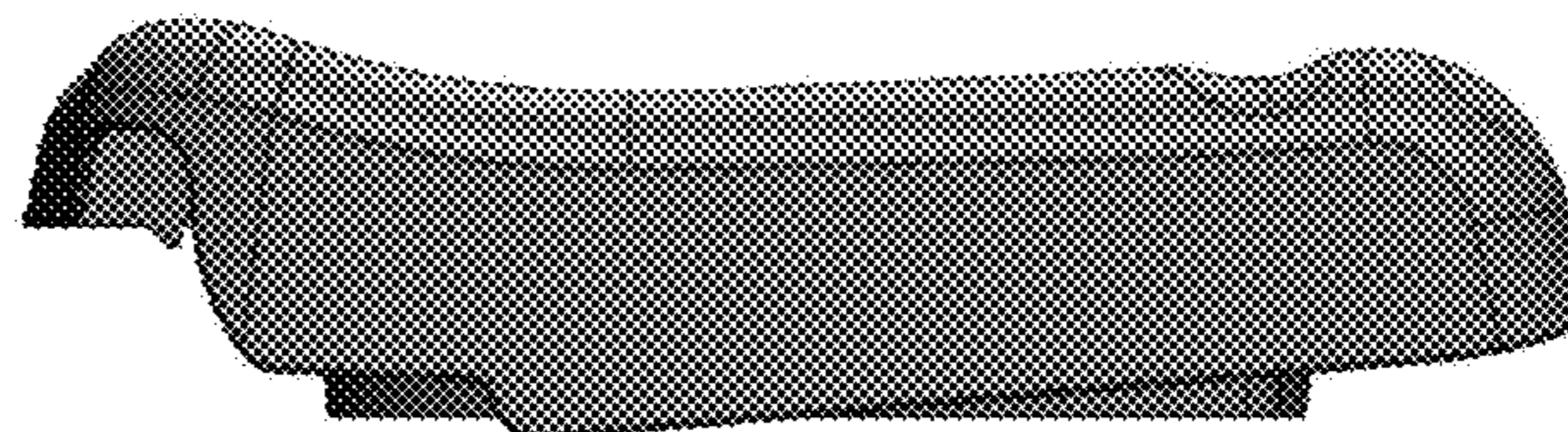
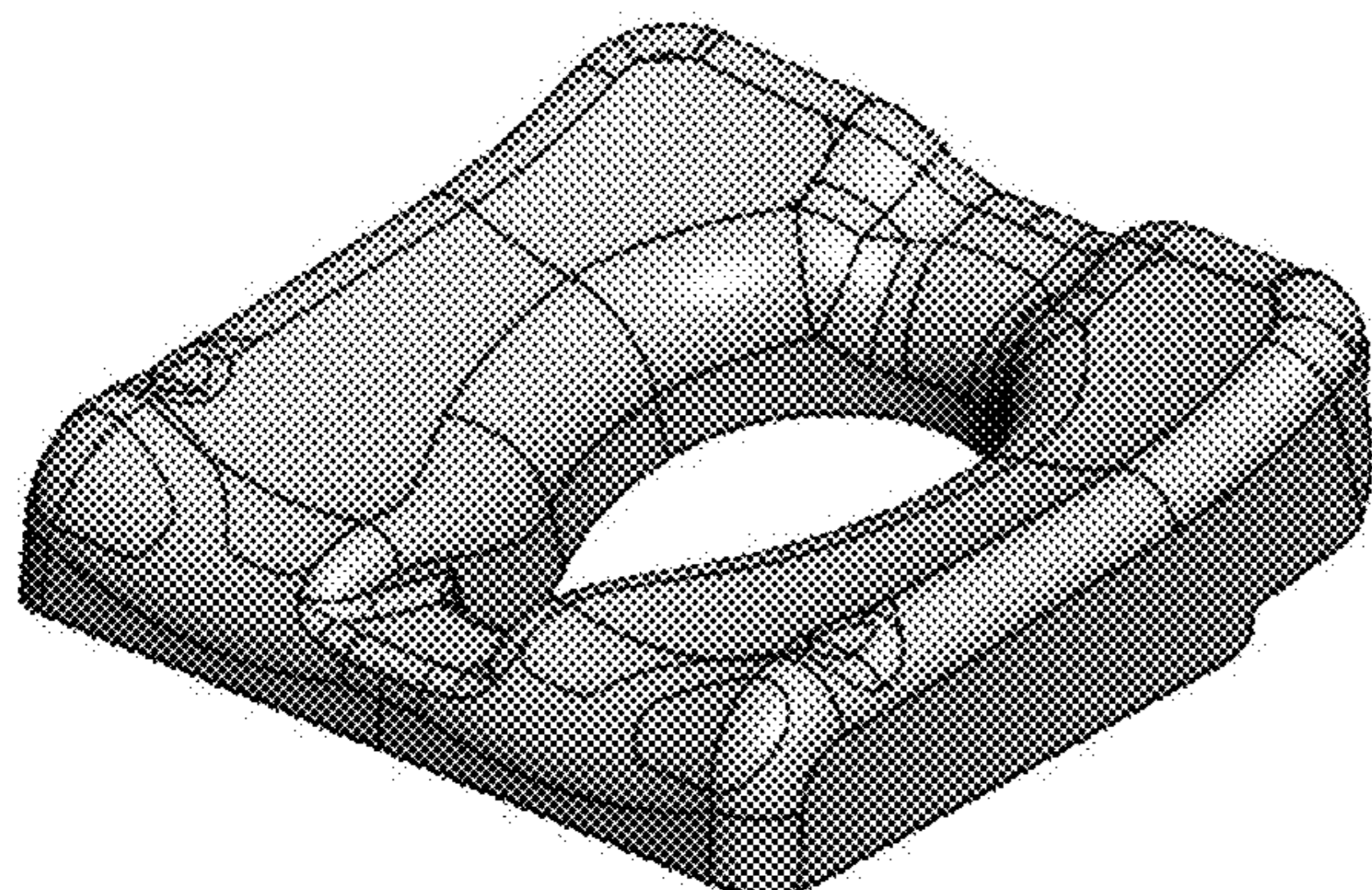
**1.4** : Top

**1.5** : Bottom

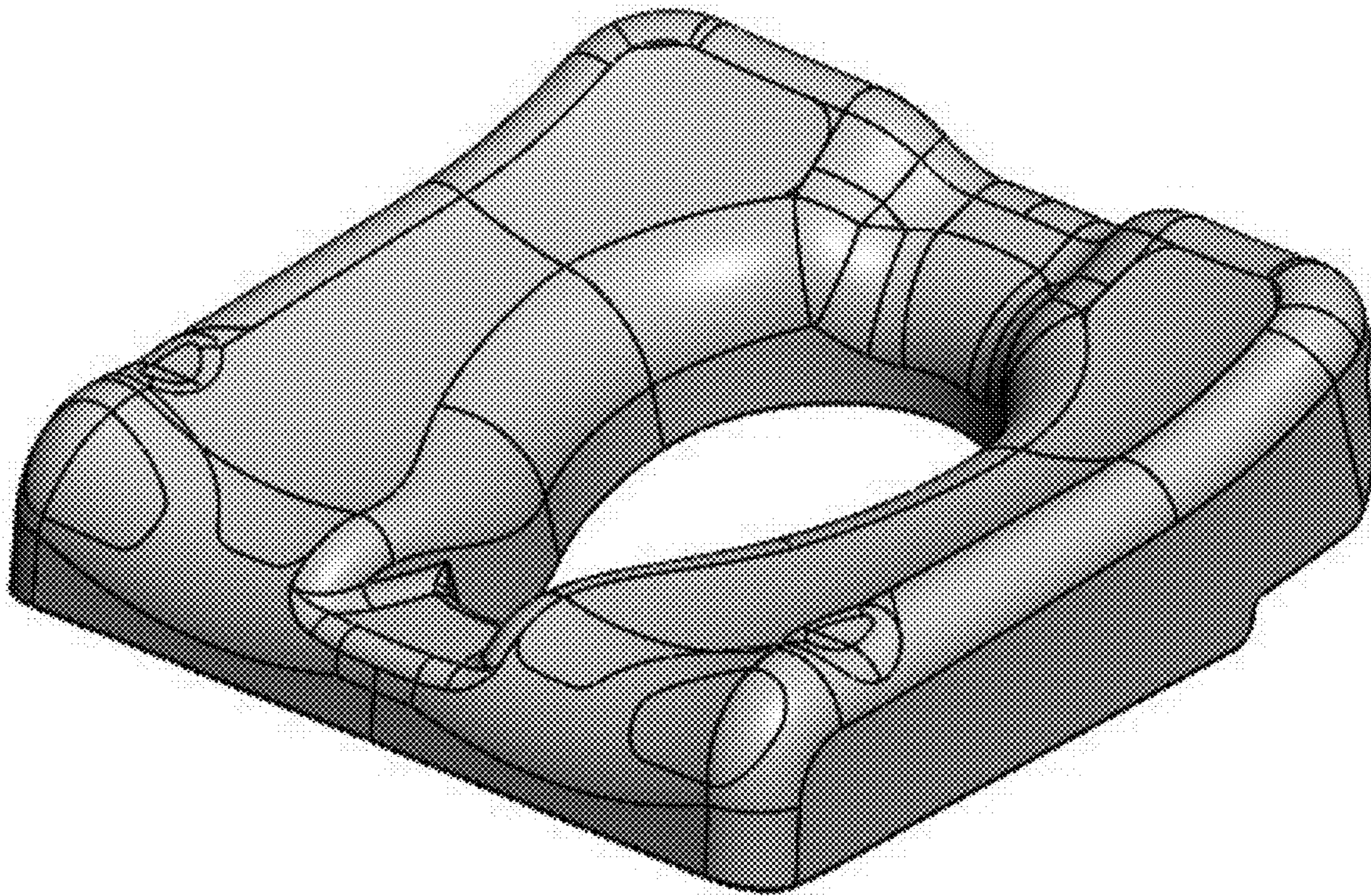
**1.6** : Left

**1.7** : Right

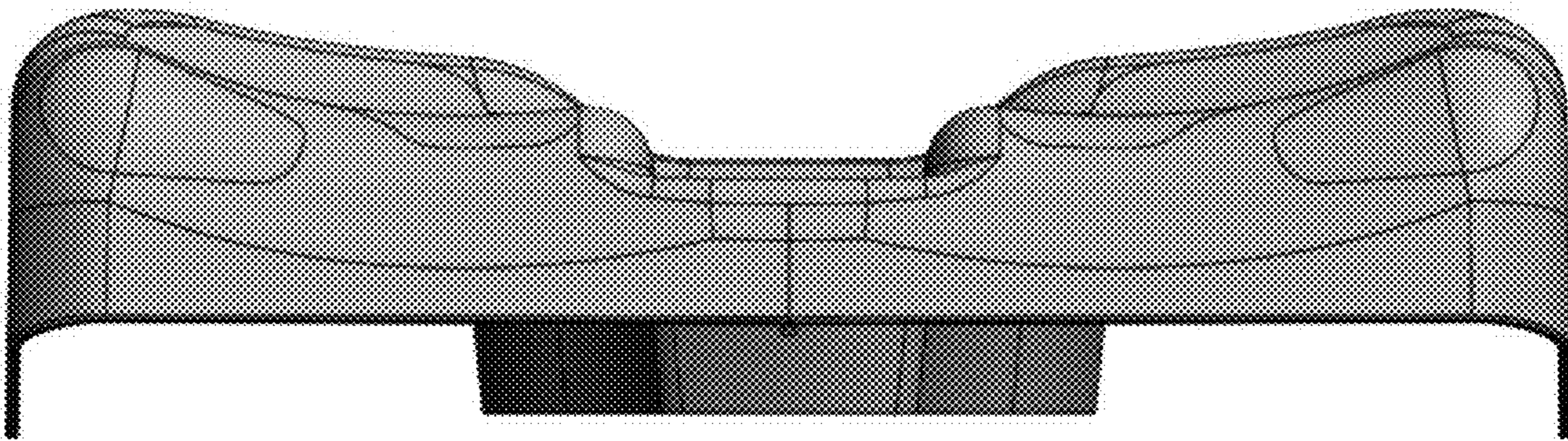
**1 Claim, 7 Drawing Sheets**



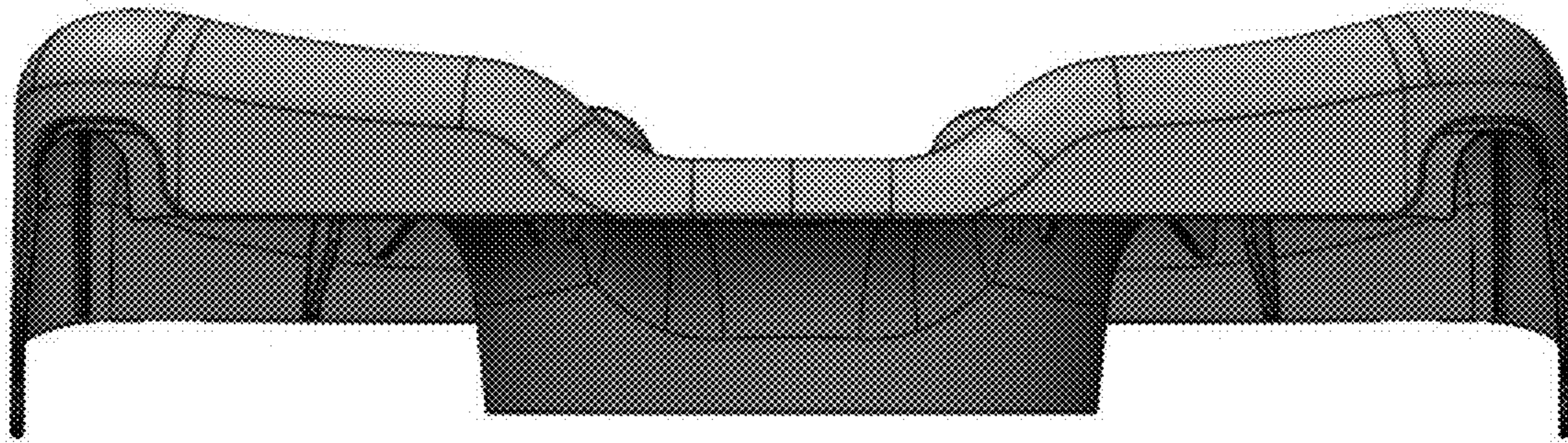
1.1



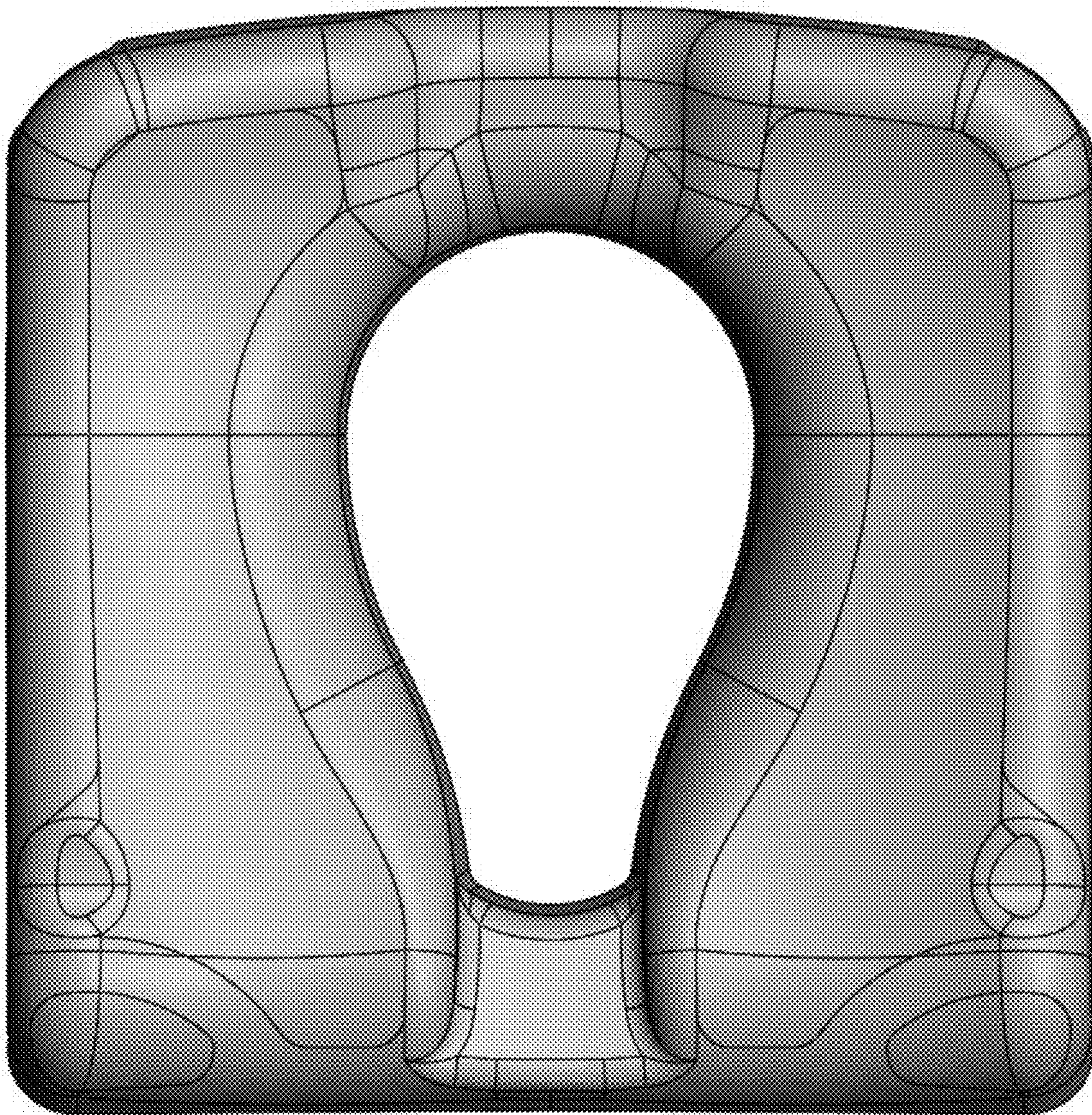
1.2



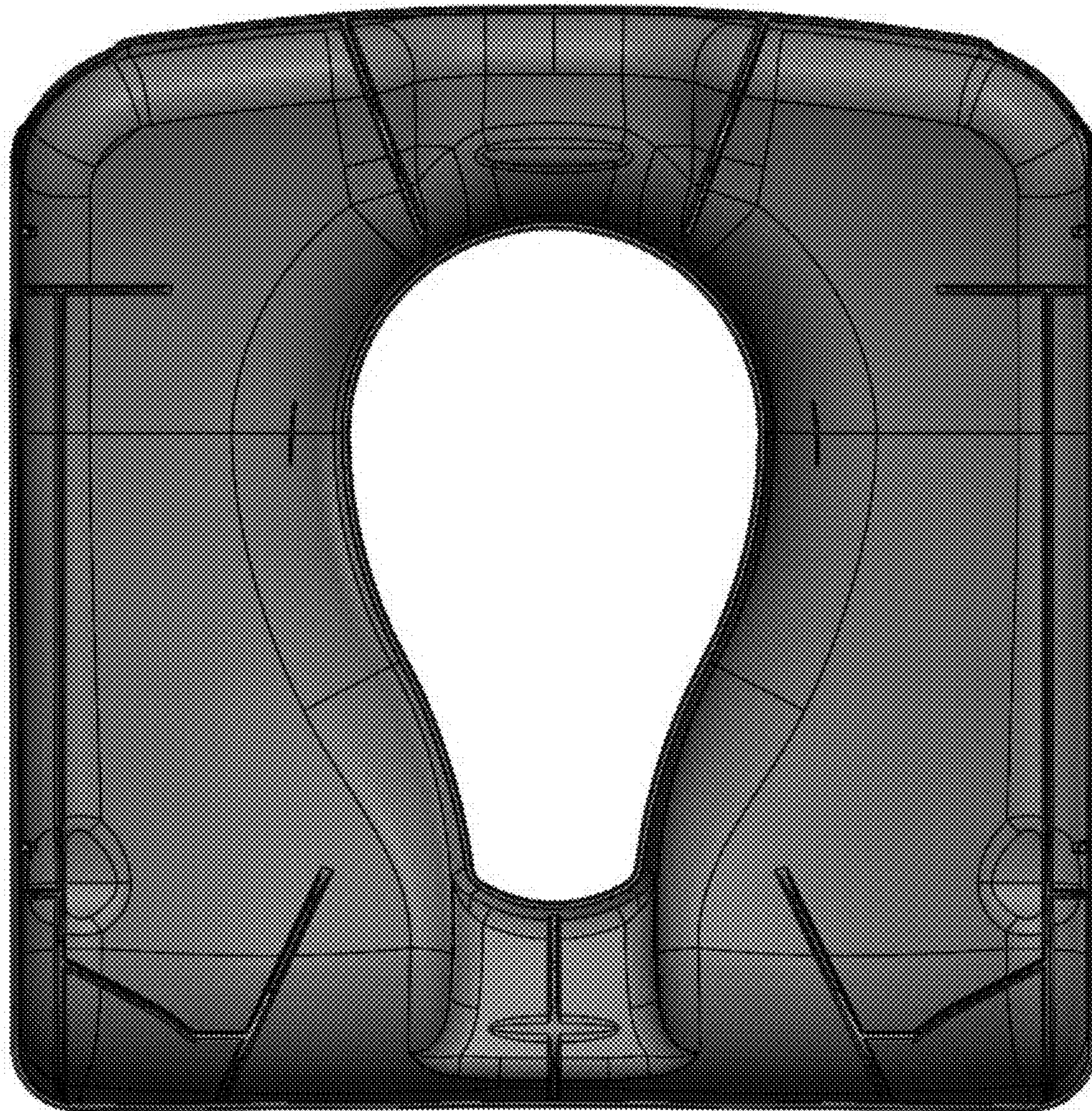
1.3



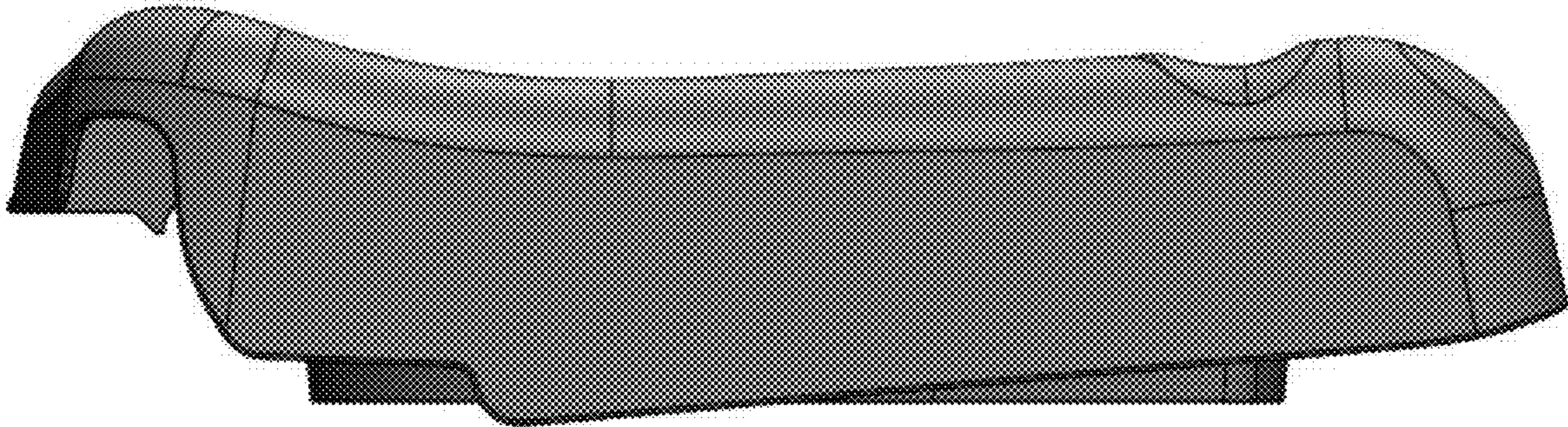
1.4



1.5



1.6



1.7

